



US00D967460S

(12) **United States Design Patent**
Yang

(10) **Patent No.:** **US D967,460 S**
(45) **Date of Patent:** **** Oct. 18, 2022**

(54) **MULTI FUNCTION TIRE CLIMBER STEP**

(71) Applicant: **FORMOSA SAINT JOSE CORPORATION**, Taipei (TW)

(72) Inventor: **Ming-Shun Yang**, Taipei (TW)

(73) Assignee: **FORMOSA SAINT JOSE CORP.**, Taipei (TW)

(**) Term: **15 Years**

(21) Appl. No.: **29/770,045**

(22) Filed: **Feb. 9, 2021**

(51) **LOC (13) Cl.** **25-04**

(52) **U.S. Cl.**
USPC **D25/65; D12/203**

(58) **Field of Classification Search**
USPC D12/203, 93, 96, 97, 314, 414;
D25/62-65
CPC .. B60R 3/02; B60R 3/00; B60R 3/005; B60R 3/007; E06C 1/383; E06C 1/3835; E06C 1/387; E06C 1/393
See application file for complete search history.

D425,209 S * 5/2000 Cox D25/64
6,116,378 A * 9/2000 Barrow B60R 3/02
182/95
D447,817 S * 9/2001 Rosko D25/64
D458,385 S * 6/2002 Rosko D25/64
6,422,344 B1 * 7/2002 Cox E06C 5/02
182/163
D465,289 S * 11/2002 Gibson D25/64
D467,667 S * 12/2002 Alim D25/64
D524,950 S * 7/2006 Embretsen D25/64
D564,674 S * 3/2008 Farber D25/65
D564,675 S * 3/2008 Farber D25/65
D565,745 S * 4/2008 Meyers D25/65
D594,135 S * 6/2009 Jane Stopp D25/65
D764,073 S * 8/2016 Wang D25/65
D872,876 S * 1/2020 Leng D25/64
D912,277 S * 3/2021 Feng D25/65
D937,730 S * 12/2021 Hamilton D12/203
2010/0019468 A1 * 1/2010 Price B60R 3/02
280/165
2015/0224936 A1 * 8/2015 Kichline, Jr. B60R 3/02
182/84

* cited by examiner

Primary Examiner — Michelle E. Wilson
Assistant Examiner — Clese Moore, Jr.
(74) *Attorney, Agent, or Firm* — Ian Bruce Oglesby

(57) **CLAIM**

The ornamental design for a multi function tire climber step, as shown and described.

DESCRIPTION

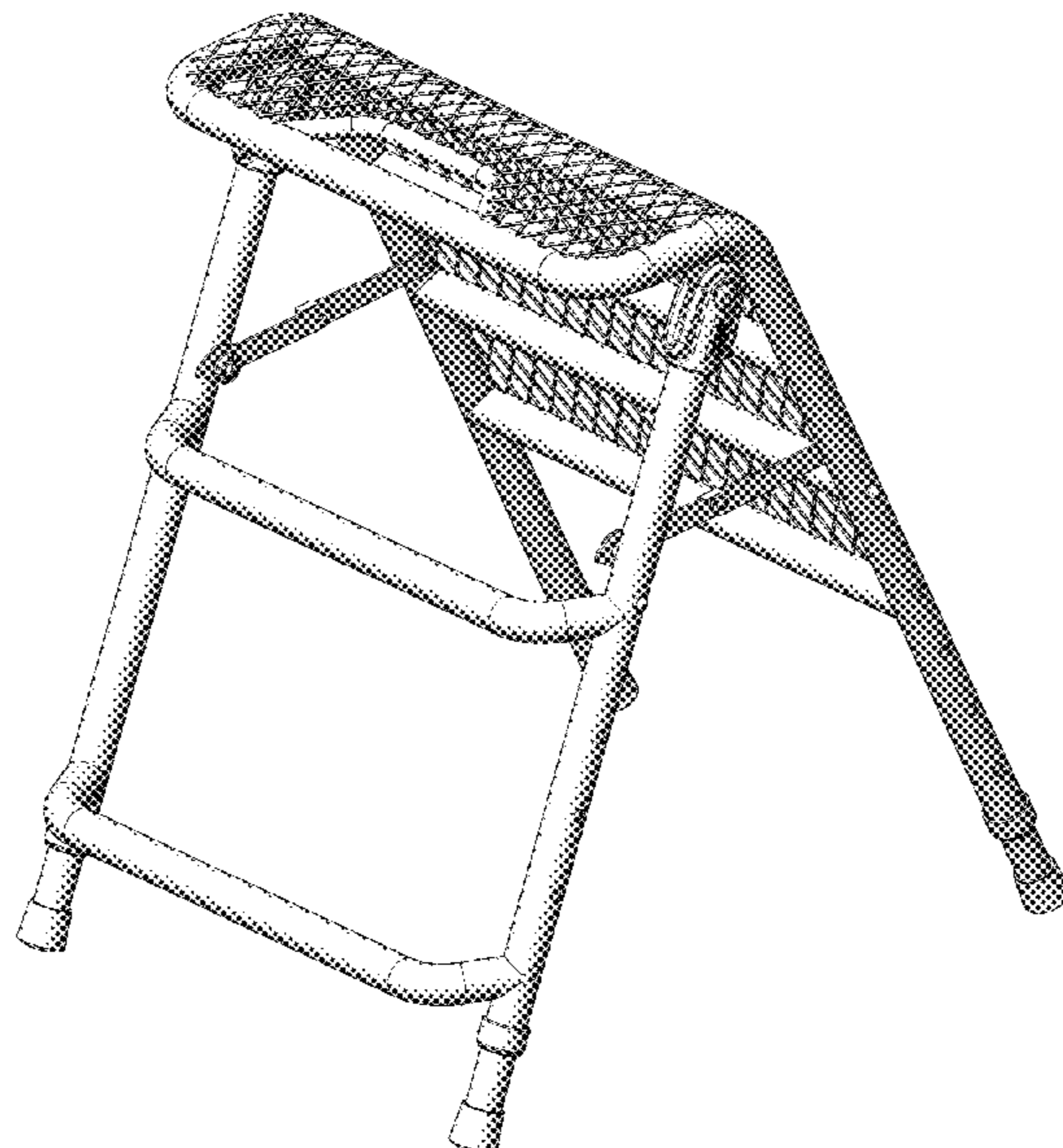
FIG. 1 is a perspective view of a multi function tire climber step showing my new design;
FIG. 2 is a front elevational view thereof;
FIG. 3 is a rear elevational view thereof;
FIG. 4 is a left elevational view thereof;
FIG. 5 is a right elevational view thereof;
FIG. 6 is a top plan view thereof; and,
FIG. 7 is a bottom plan view thereof.

1 Claim, 7 Drawing Sheets

(56) **References Cited**

U.S. PATENT DOCUMENTS

1,165,588 A * 12/1915 Garraway E06C 1/3835
182/162
4,258,827 A * 3/1981 Klose E06C 1/393
297/130
4,450,937 A * 5/1984 Broughton E06C 9/02
182/206
D288,719 S * 3/1987 Feist D25/65
D300,365 S * 3/1989 Wallick, Jr. D25/64
D359,134 S * 6/1995 Toews D25/64
5,503,245 A * 4/1996 Etesam B44D 3/126
182/129
5,762,163 A * 6/1998 Kain E06C 1/393
182/162



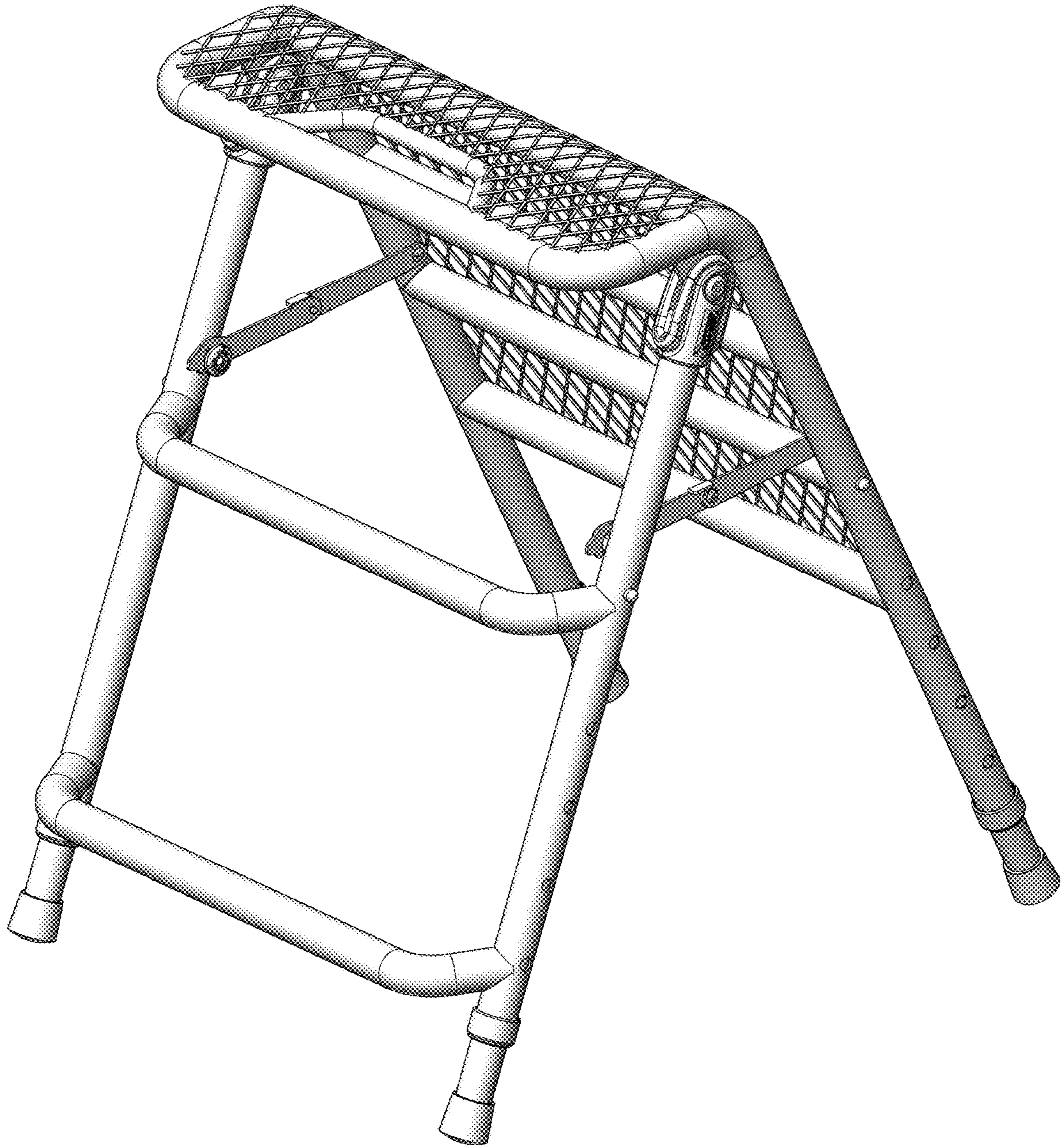


FIG. 1

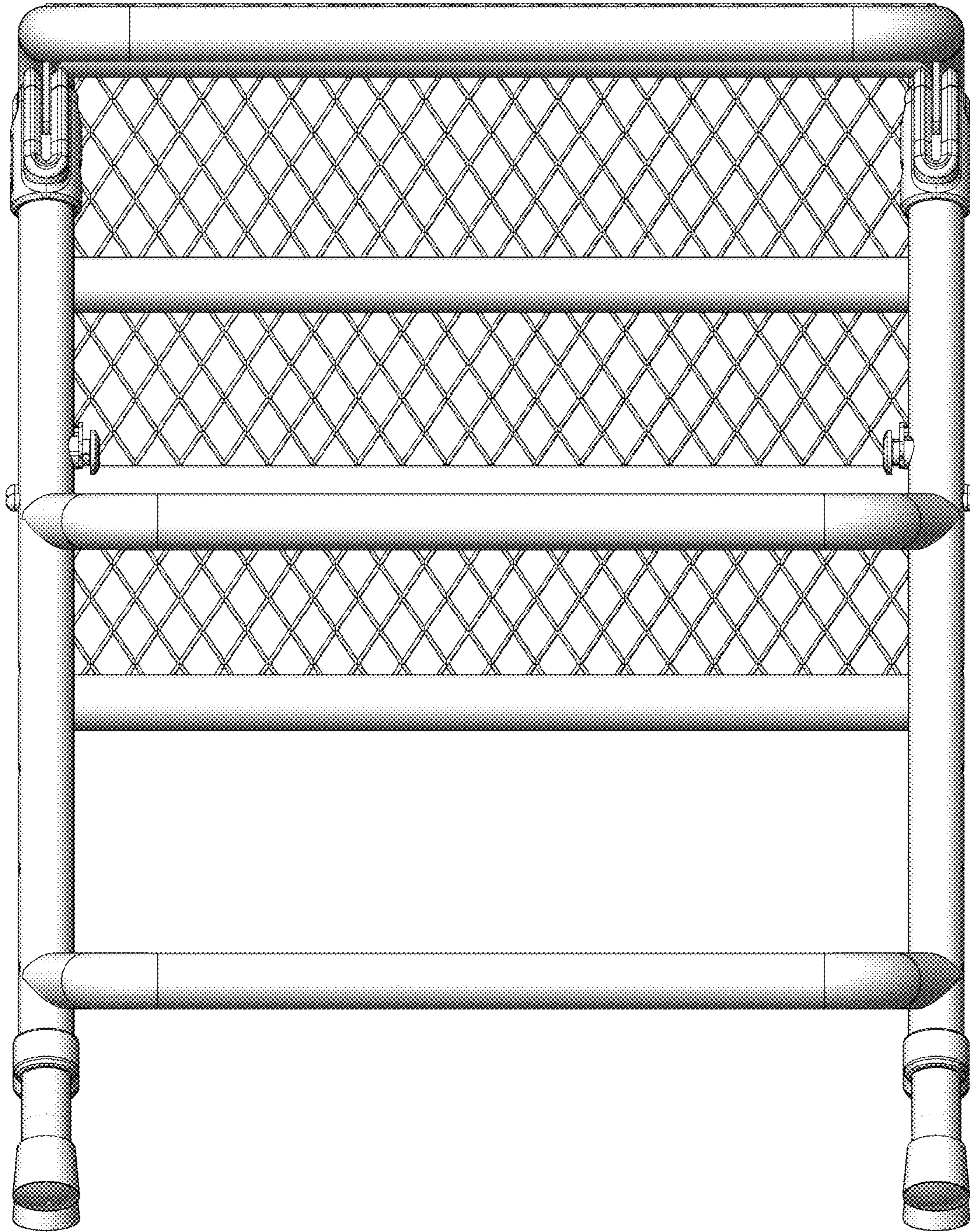


FIG. 2

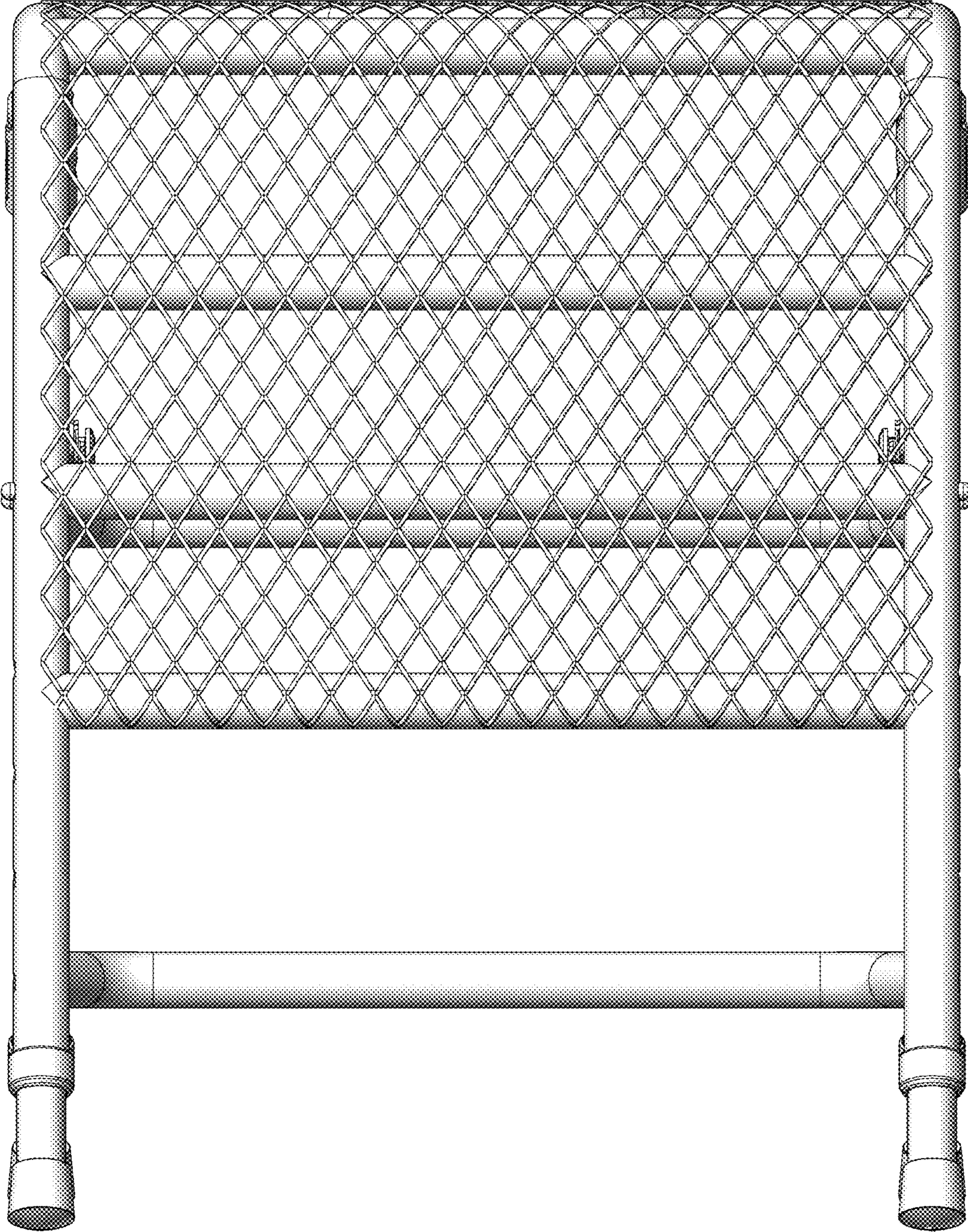


FIG. 3

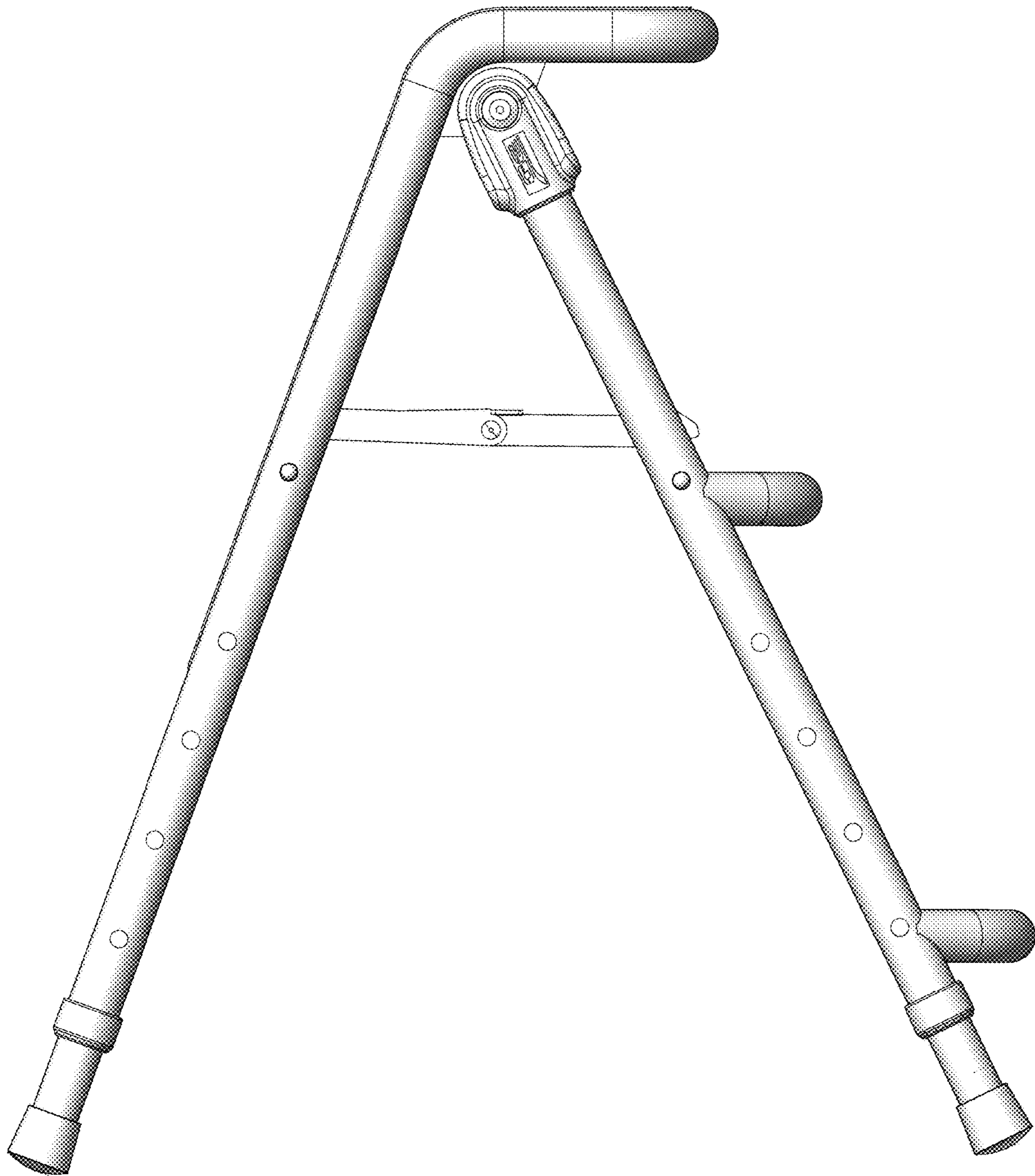


FIG. 4

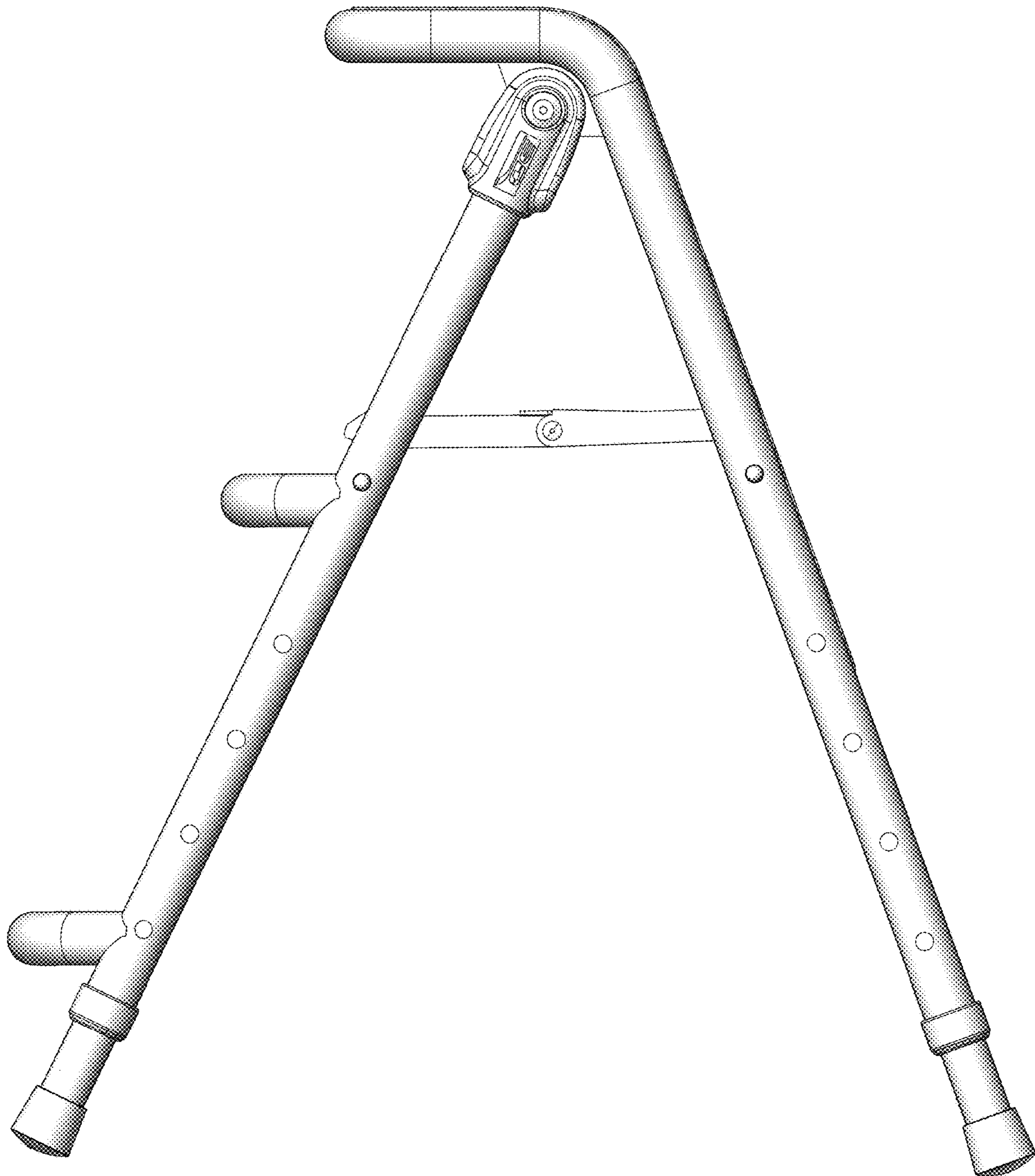


FIG. 5

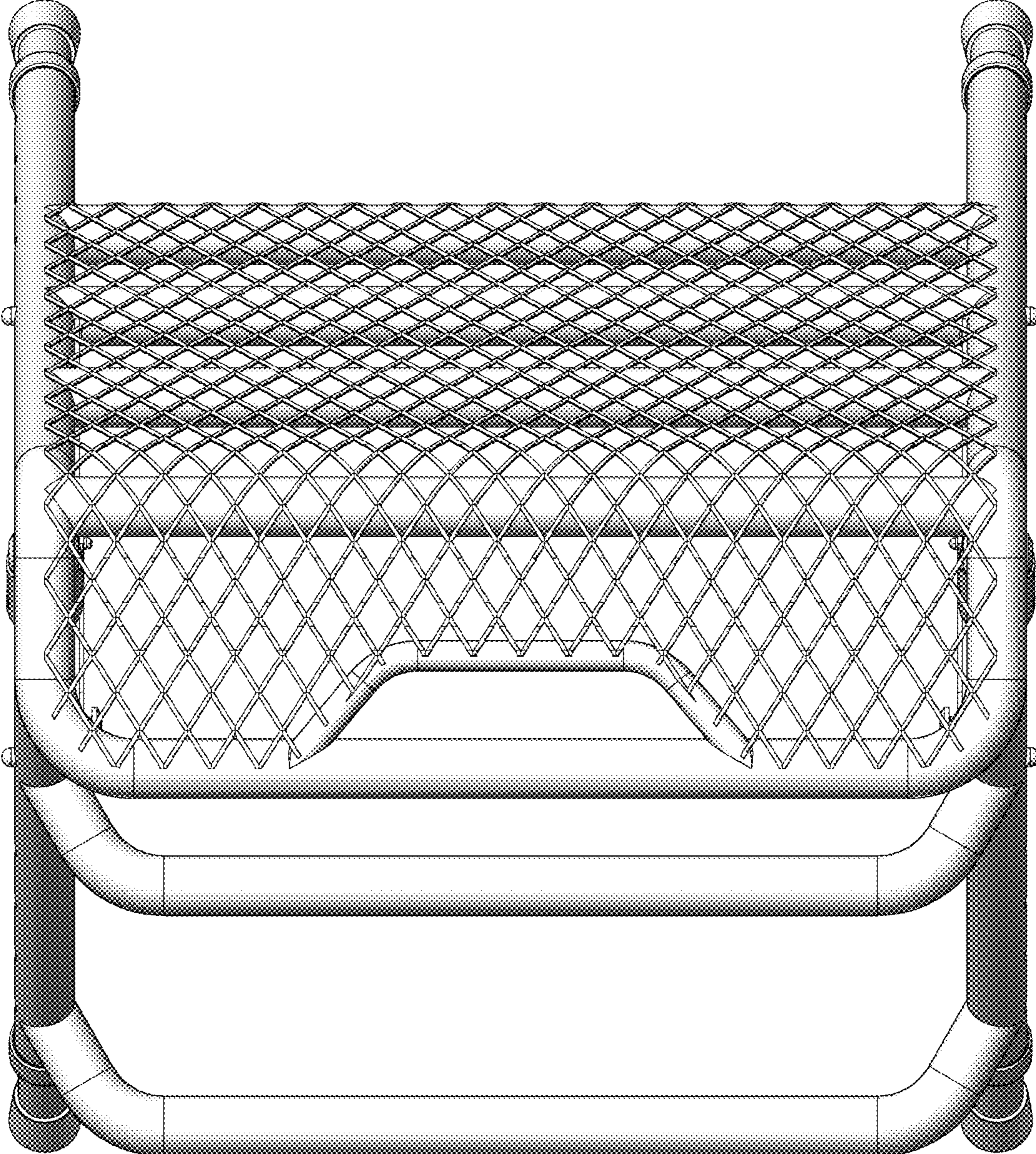


FIG. 6

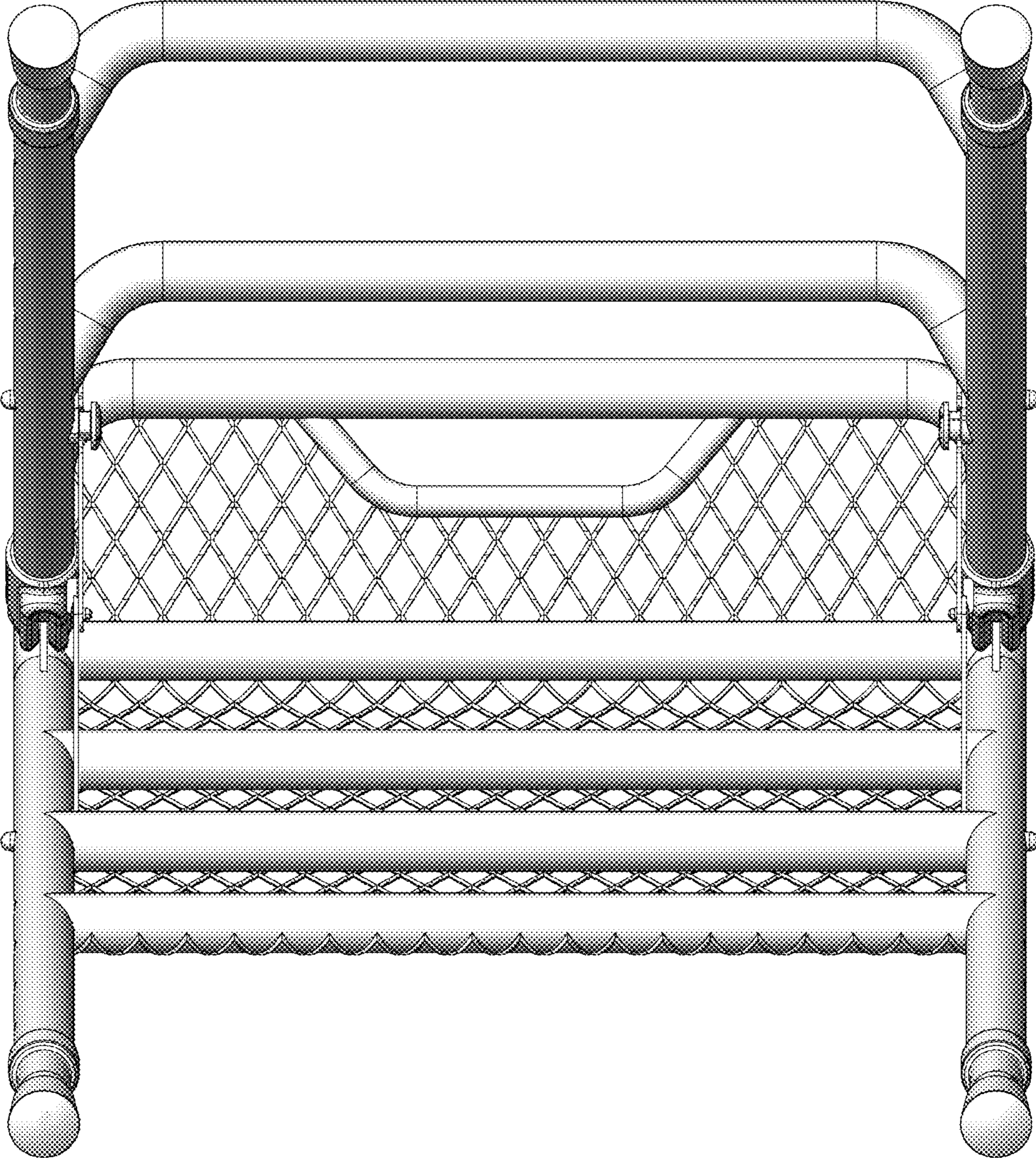


FIG. 7