



US00D967459S

(12) **United States Design Patent** (10) **Patent No.:** **US D967,459 S**
Vacek (45) **Date of Patent:** **** Oct. 18, 2022**

(54) **ADAPTABLE GARAGE DOOR ANIMAL BARRICADE**

(71) Applicant: **Sam Vacek**, Porter, TX (US)

(72) Inventor: **Sam Vacek**, Porter, TX (US)

(**) Term: **15 Years**

(21) Appl. No.: **29/754,525**

(22) Filed: **Oct. 12, 2020**

(51) **LOC (13) Cl.** **25-02**

(52) **U.S. Cl.**
USPC **D25/48.2**

(58) **Field of Classification Search**
USPC D8/354, 355, 363, 366, 381; D25/48.2, D25/48.8, 199
CPC . E06B 7/22; E06B 7/2316; E06B 7/28; E06B 1/34; E06B 1/68; E06B 1/72; E06B 3/485; E06B 9/58
See application file for complete search history.

(56) **References Cited**

U.S. PATENT DOCUMENTS

D306,964 S *	4/1990	Zupancic	D8/380
5,465,532 A *	11/1995	Varin	E06B 7/2316 49/470
D371,506 S *	7/1996	Nofziger	D8/354
5,927,011 A *	7/1999	Sickenius	E06B 9/02 49/70
D422,886 S *	4/2000	Shea	D8/354
D459,007 S *	6/2002	Campacci	D25/119
D608,183 S *	1/2010	Meyer	D8/354
D644,503 S *	9/2011	Crane	D8/382
D667,289 S *	9/2012	Preda	D8/354
D730,545 S *	5/2015	Stauffer	D25/61
9,441,411 B2	9/2016	Davis		
D784,486 S	4/2017	Calzada		
D814,056 S	3/2018	Singh		
10,513,845 B1	12/2019	Scott		
D872,905 S *	1/2020	Jones	D25/164

D877,935 S *	3/2020	Scott	D25/48.2
10,844,594 B1 *	11/2020	Scott	E06B 3/485
D924,042 S *	7/2021	Shaffer	D8/354
2012/0047811 A1	3/2012	Weeks		
2015/0013617 A1 *	1/2015	Rideout	A01M 29/34 119/712
2019/0242181 A1 *	8/2019	Clark	E06B 7/2316
2020/0370364 A1 *	11/2020	Skold, Jr.	E06B 5/164
2021/0040790 A1 *	2/2021	Von Ryberg	E06B 7/2316

FOREIGN PATENT DOCUMENTS

CN	302135464	*	10/2012
WO	WO2018099533 A1		6/2018

* cited by examiner

Primary Examiner — Leanne Was-Englehart

(74) *Attorney, Agent, or Firm* — The Compton Law Firm, P.C.; Scott D. Compton

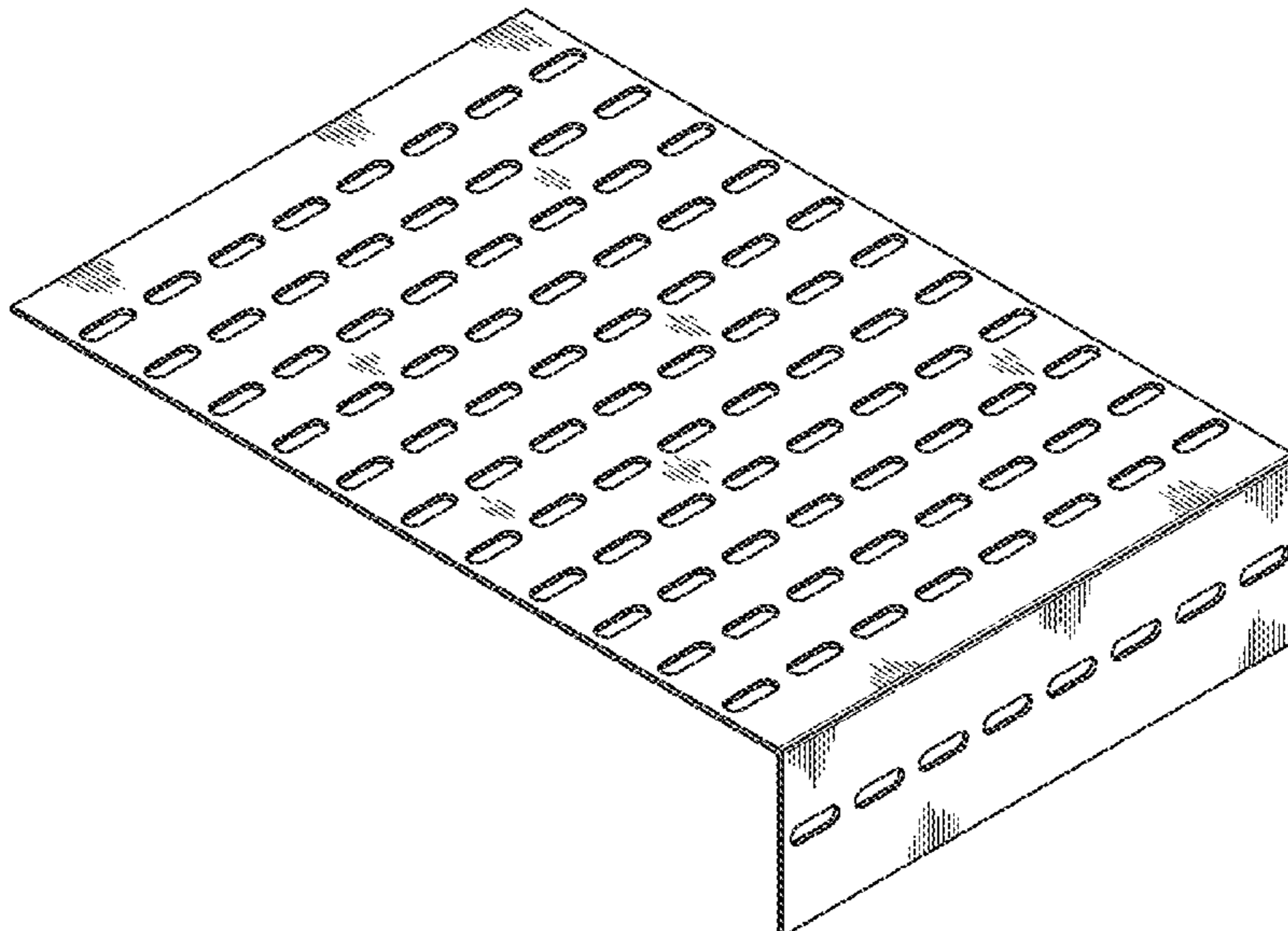
(57) **CLAIM**

The ornamental design for an adaptable garage door animal barricade, as shown and described.

DESCRIPTION

FIG. 1 is a top perspective view of a garage door animal barricade showing my new design; FIG. 2 is a front side view thereof; FIG. 3 is a back side view thereof; FIG. 4 is a left side view thereof; FIG. 5 is a right side view thereof; FIG. 6 is a bottom view thereof; FIG. 7 is a top view thereof; and, FIG. 8 is a side perspective view illustrating the garage door animal barricade located at a base of a garage door with a column of ventilation break line apertures of the garage door animal barricade aligned vertically along a vertical trim border of the garage door. The broken lines in FIG. 8 illustrate environmental features and form no part of the claimed design.

1 Claim, 6 Drawing Sheets



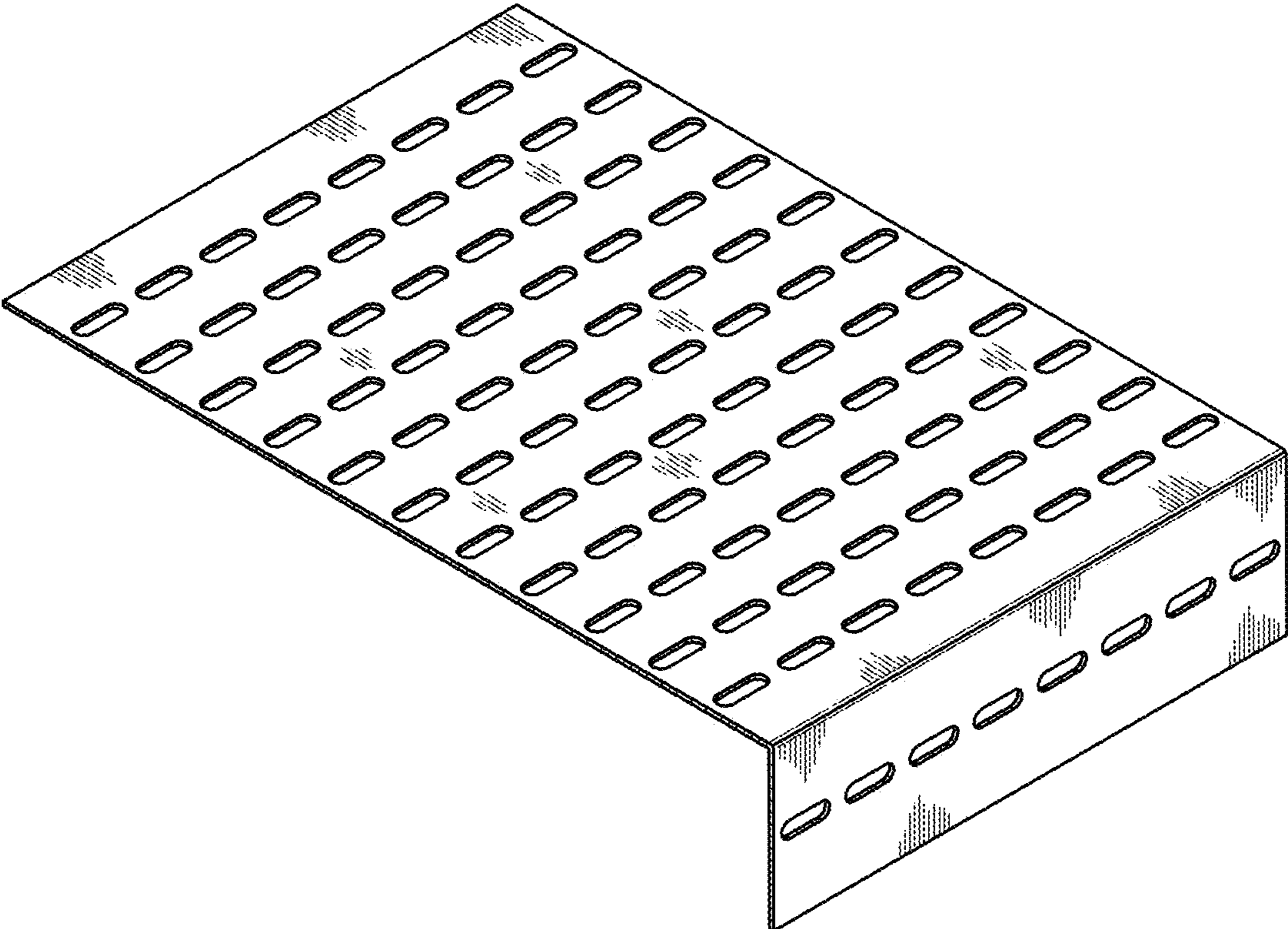


FIG. 1

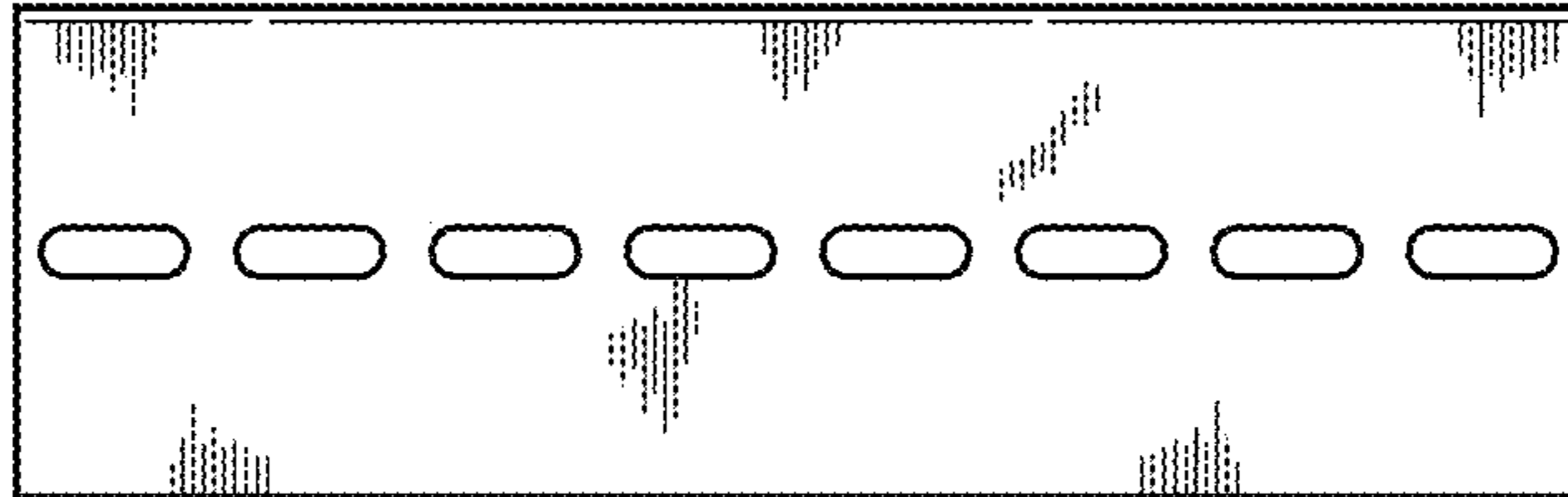


FIG. 2

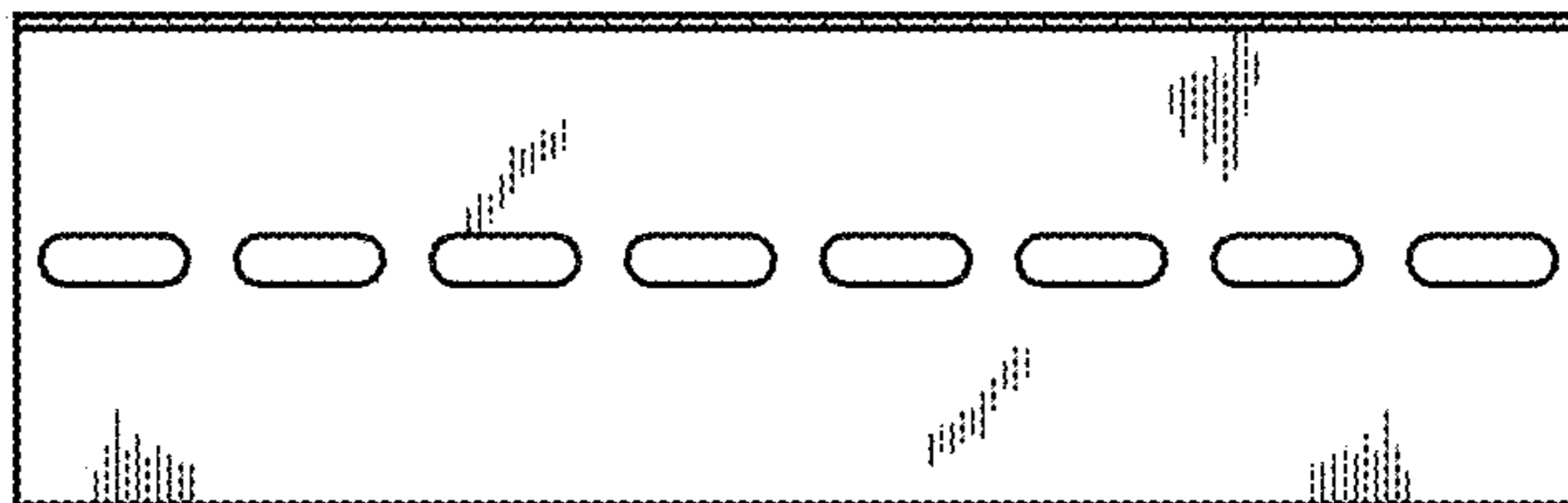


FIG. 3



FIG. 4



FIG. 5

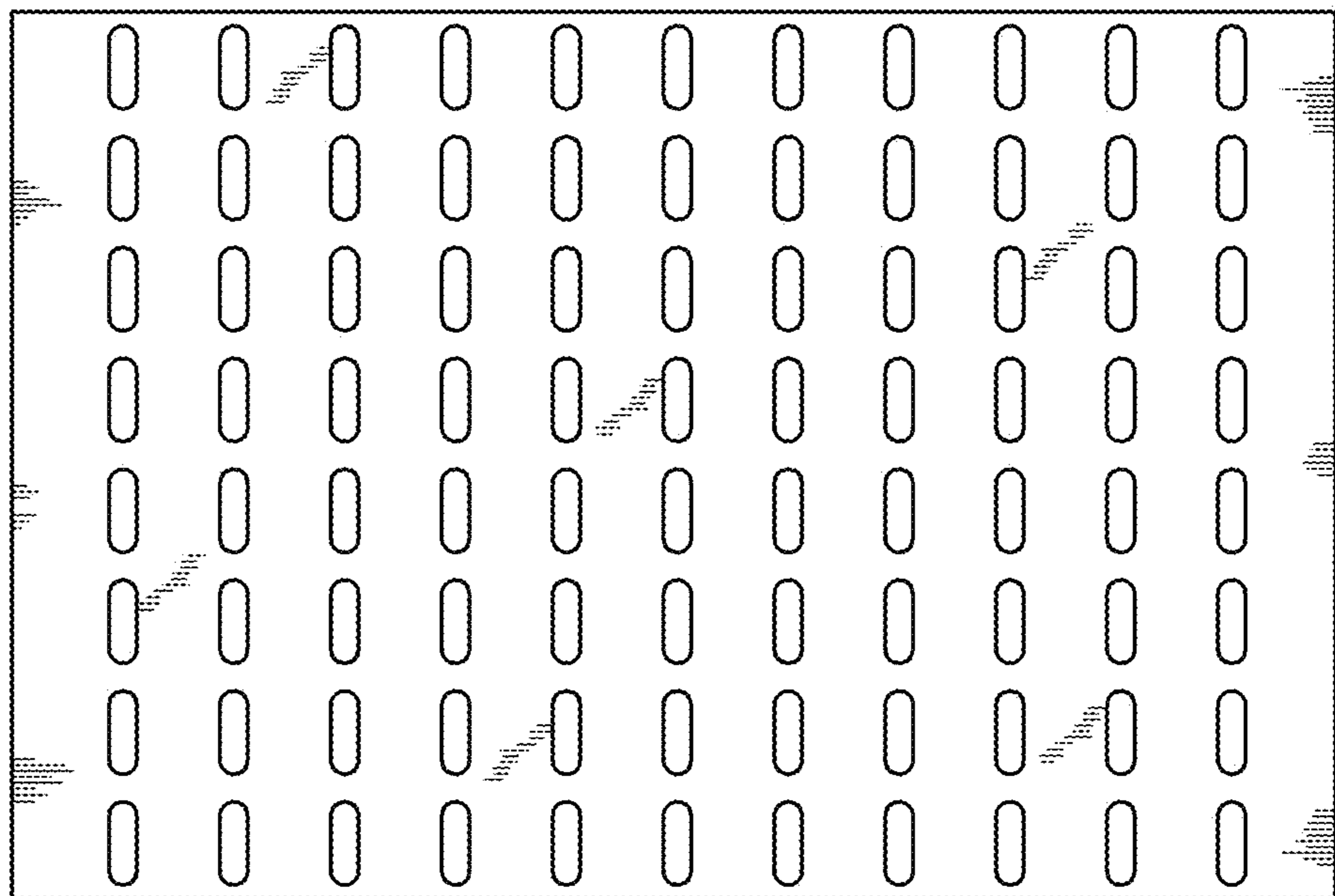


FIG. 6

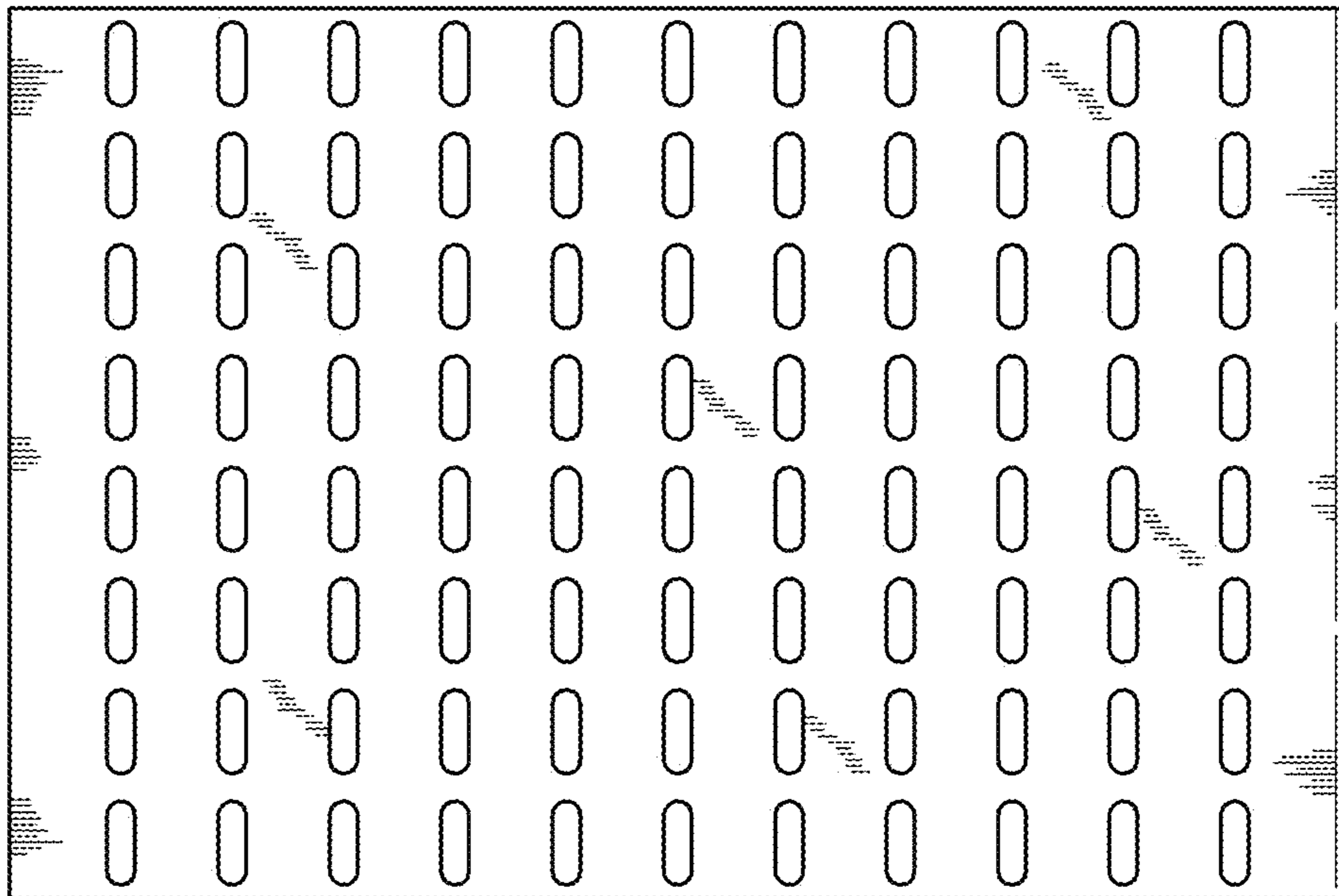


FIG. 7

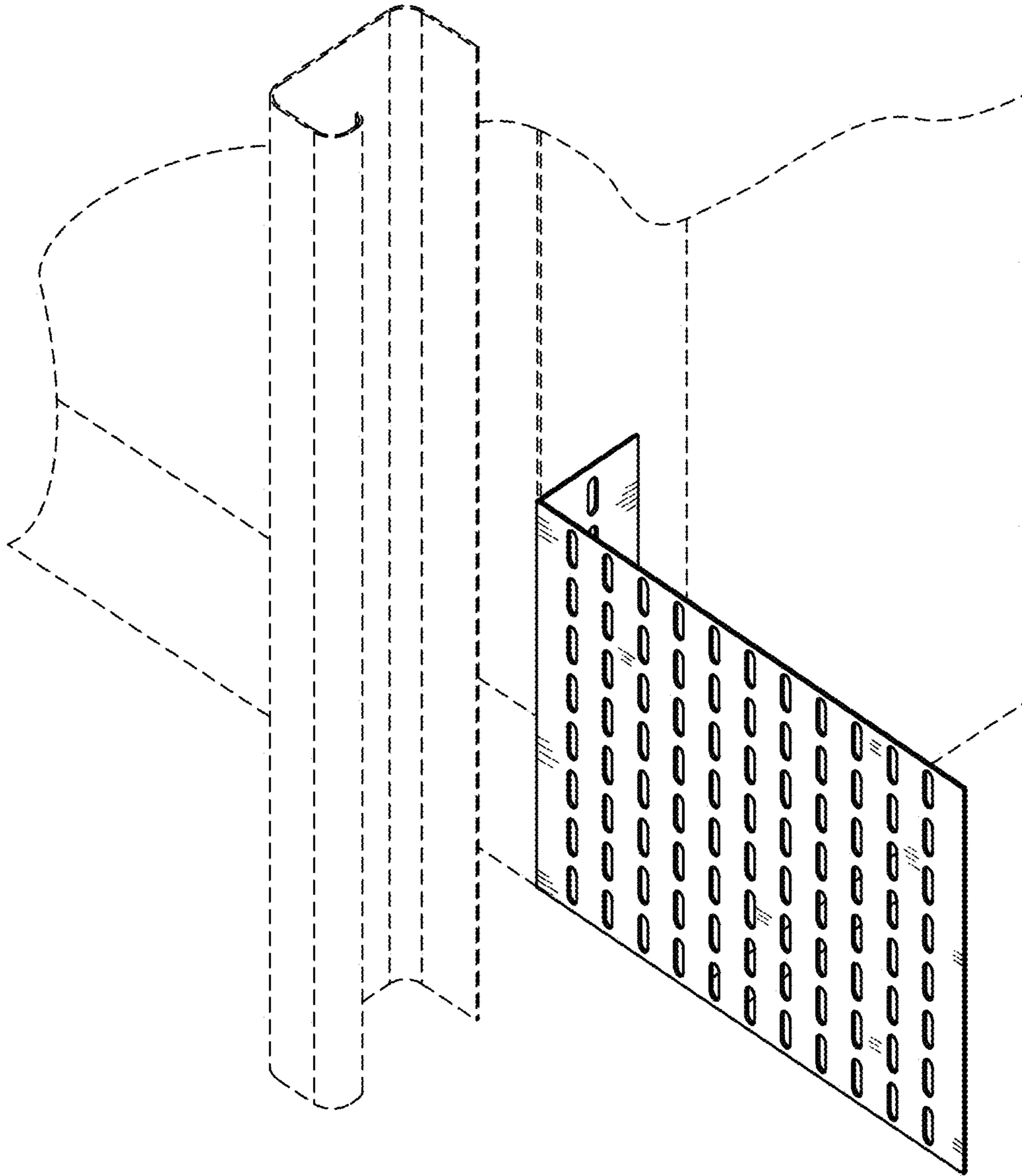


FIG. 8