

US00D967457S

(12) **United States Design Patent** (10) **Patent No.:** **US D967,457 S**
Lehtinen et al. (45) **Date of Patent:** **** Oct. 18, 2022**

(54) **TELEPHONE BOOTH**
(71) Applicant: **Framery Oy**, Tampere (FI)
(72) Inventors: **Jarno Lehtinen**, Pohjankuru (FI); **Joonas Vartola**, Helsinki (FI); **Olli Laaksonen**, Turku (FI); **Lasse Karvinen**, Tampere (FI); **Samu Hällfors**, Tampere (FI); **Maiju Saarelma**, Tampere (FI); **Timo Inkinen**, Tampere (FI); **Miika Hällfors**, Valkeakoski (FI); **Ville Puolimatka**, Siivikkala (FI)

(73) Assignee: **FRAMERY OY**, Tampere (FI)

(**) Term: **15 Years**

(21) Appl. No.: **29/754,763**

(22) Filed: **Oct. 14, 2020**

(30) **Foreign Application Priority Data**

Apr. 14, 2020 (EM) 007809439

(51) **LOC (13) Cl.** **25-03**

(52) **U.S. Cl.**
USPC **D25/16**

(58) **Field of Classification Search**
USPC D25/1-35; D6/332, 337, 640
CPC E04H 1/14; E04H 1/125
See application file for complete search history.

(56) **References Cited**

U.S. PATENT DOCUMENTS

D732,691 S * 6/2015 Hallfors D25/16
D732,692 S * 6/2015 Hallfors D25/16
D788,318 S * 5/2017 Jennings D25/16
D844,166 S * 3/2019 Zhu D25/16
D844,167 S * 3/2019 Zhu D25/16
D844,812 S * 4/2019 Zhu D25/16

D844,819 S * 4/2019 Zhu D25/16
D852,376 S * 6/2019 Mikolajczyk D25/16
D856,529 S * 8/2019 Mikolajczyk D25/16
D857,233 S * 8/2019 Zhu D25/16
D908,918 S * 1/2021 Zhu D25/16
D910,205 S * 2/2021 Nakata D25/16
D921,924 S * 6/2021 Ko D25/16
D921,925 S * 6/2021 Ko D25/16
D933,851 S * 10/2021 Zhu D25/16
2019/0316346 A1 * 10/2019 Glass E04B 1/8218

(Continued)

FOREIGN PATENT DOCUMENTS

CN 305110808 * 4/2019
EP 004488526-0013 * 11/2017
EP 007463625-0001 * 1/2020

Primary Examiner — Brett Miller

Assistant Examiner — Jasmine L. Comedy

(74) *Attorney, Agent, or Firm* — Thomas | Horstemeyer, LLP

(57) **CLAIM**

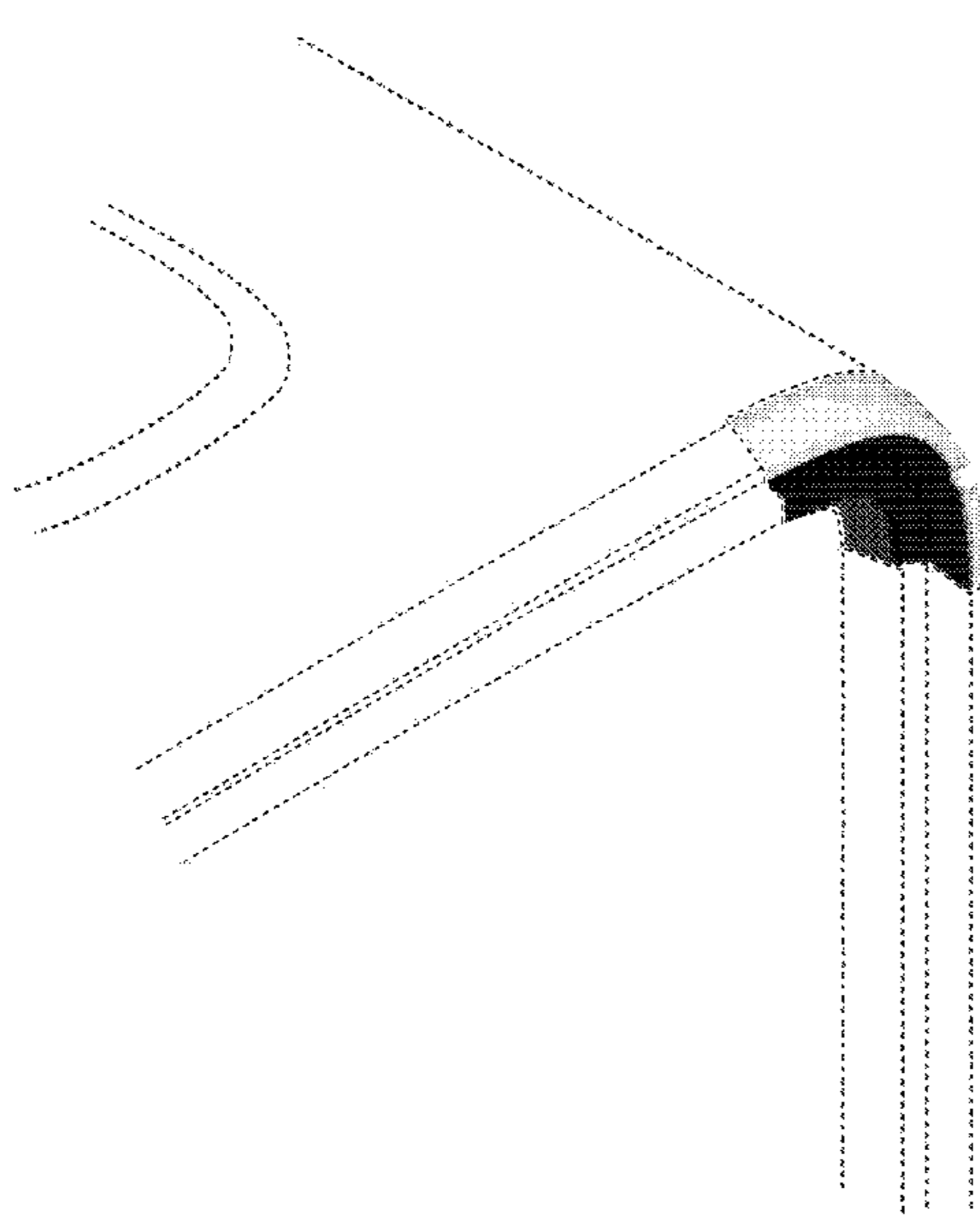
The ornamental design for a telephone booth, as shown and described.

DESCRIPTION

FIG. 1 is an enlarged perspective view of a telephone booth of the inset 1 of FIG. 2, showing our new design; FIG. 2 is a perspective view thereof; FIG. 3 is another perspective view thereof, from a different angle than FIG. 2; FIG. 4 is a front view thereof; FIG. 5 is a left side view thereof; and, FIG. 6 is a top view thereof.

The broken lines shown in the drawings of the telephone booth are for the purpose of illustrating the environment and form no part of the claimed design. The black bands in FIGS. 1, 2 and 4 depict frame structure for the sides of the telephone booth depicted therein.

1 Claim, 6 Drawing Sheets



(56)

References Cited

U.S. PATENT DOCUMENTS

2020/0324515 A1* 10/2020 Hallfors B32B 27/065
2021/0148128 A1* 5/2021 Ko E04B 1/34315

* cited by examiner

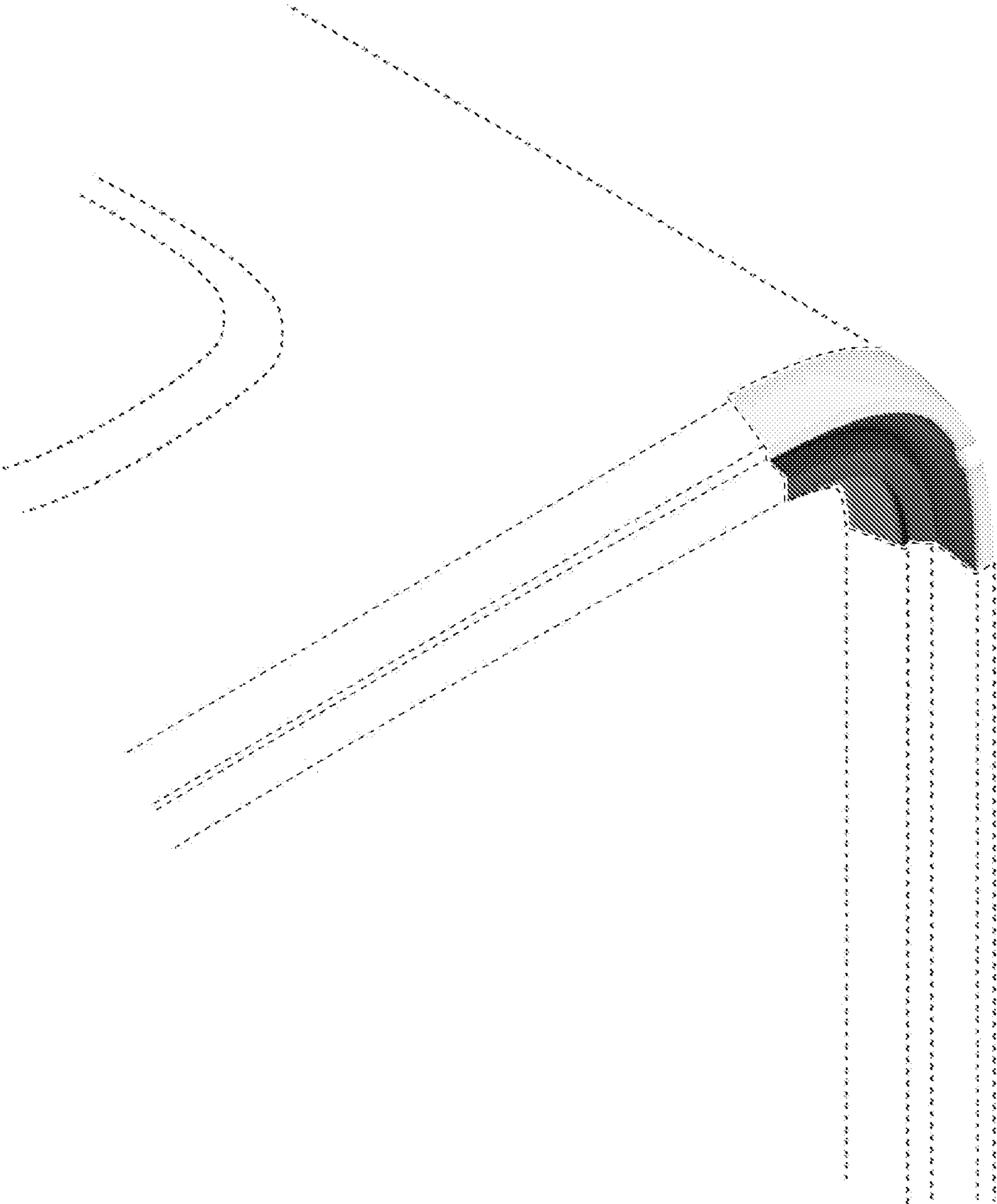


FIG. 1

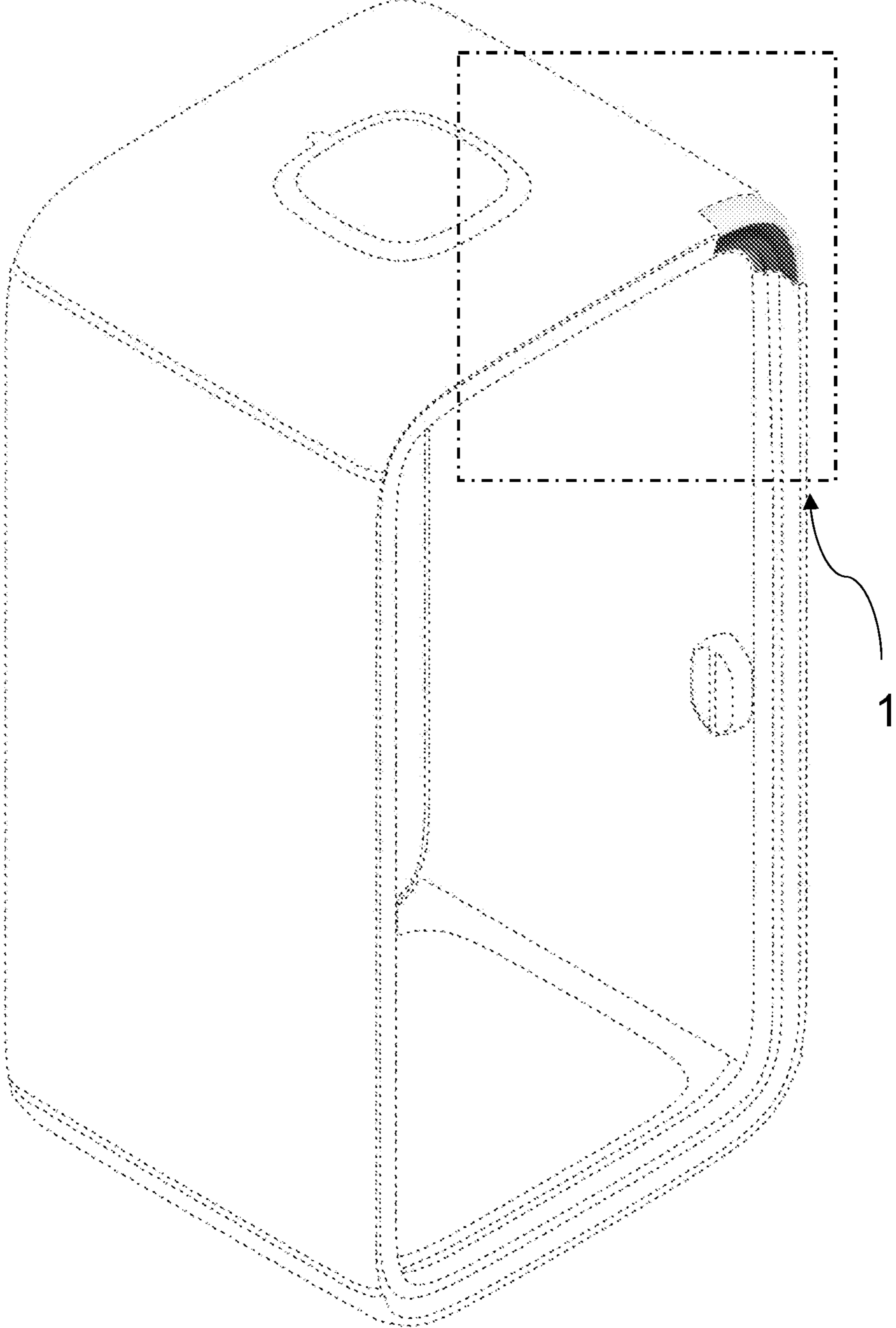


FIG. 2

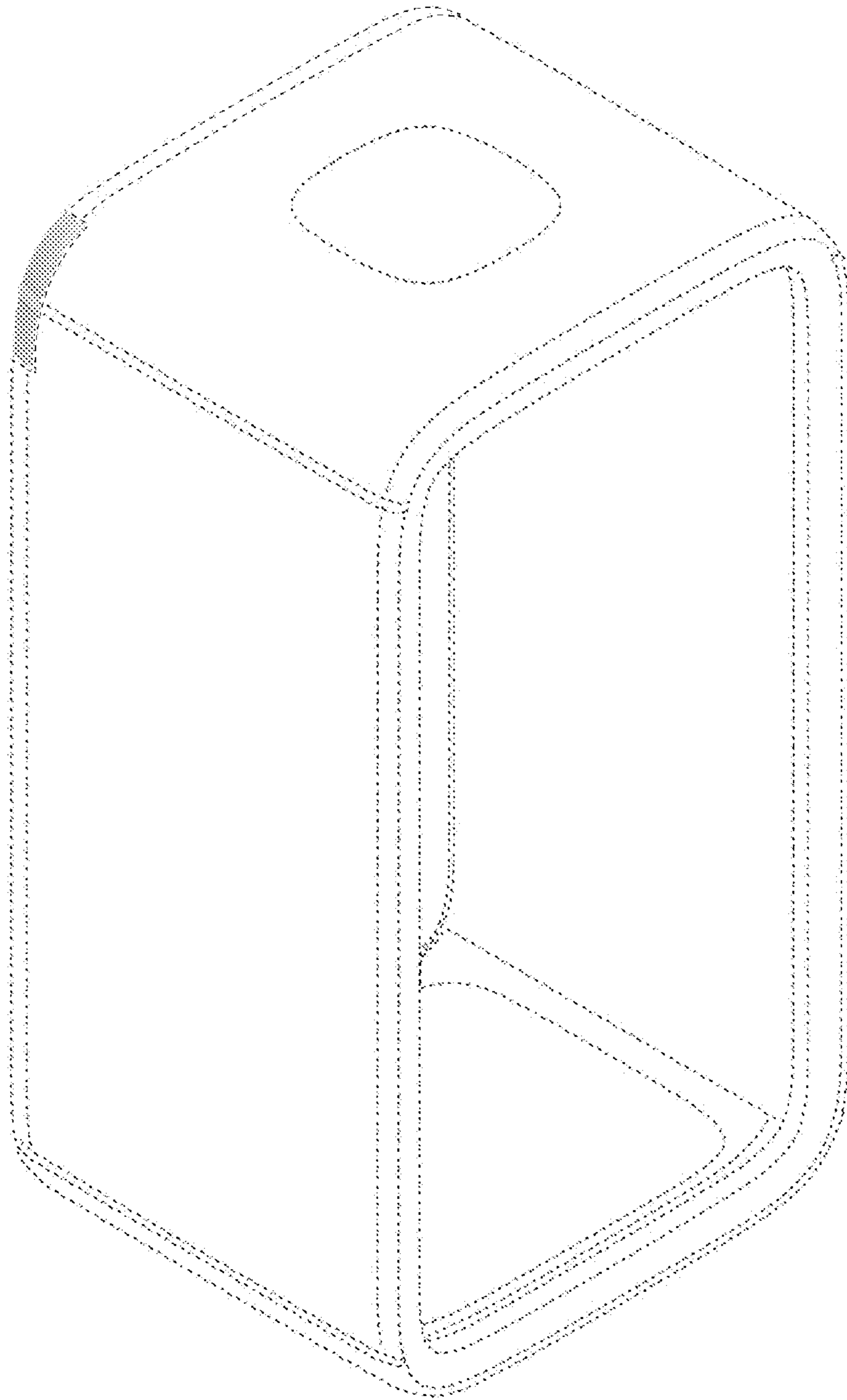


FIG. 3

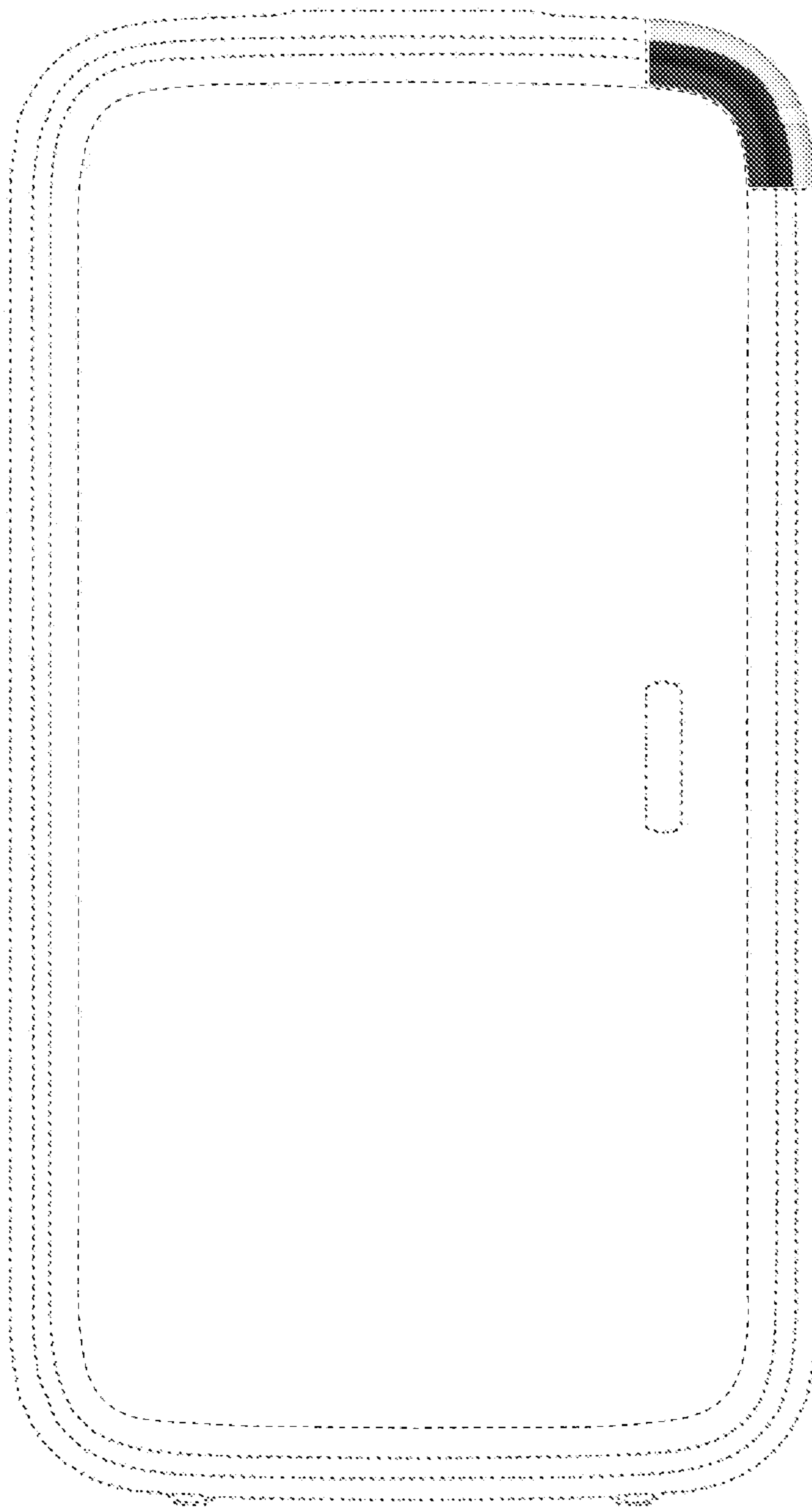


FIG. 4

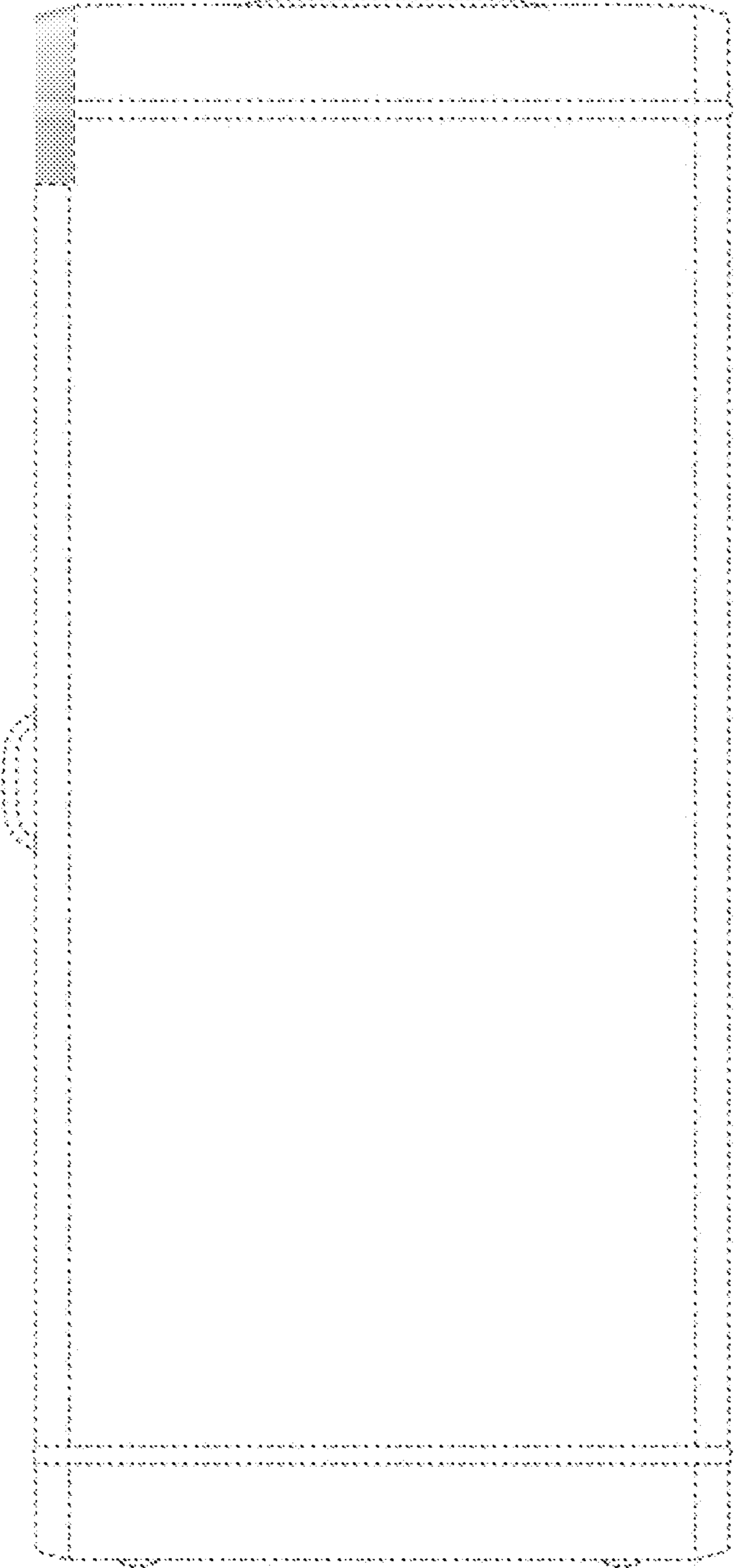


FIG. 5

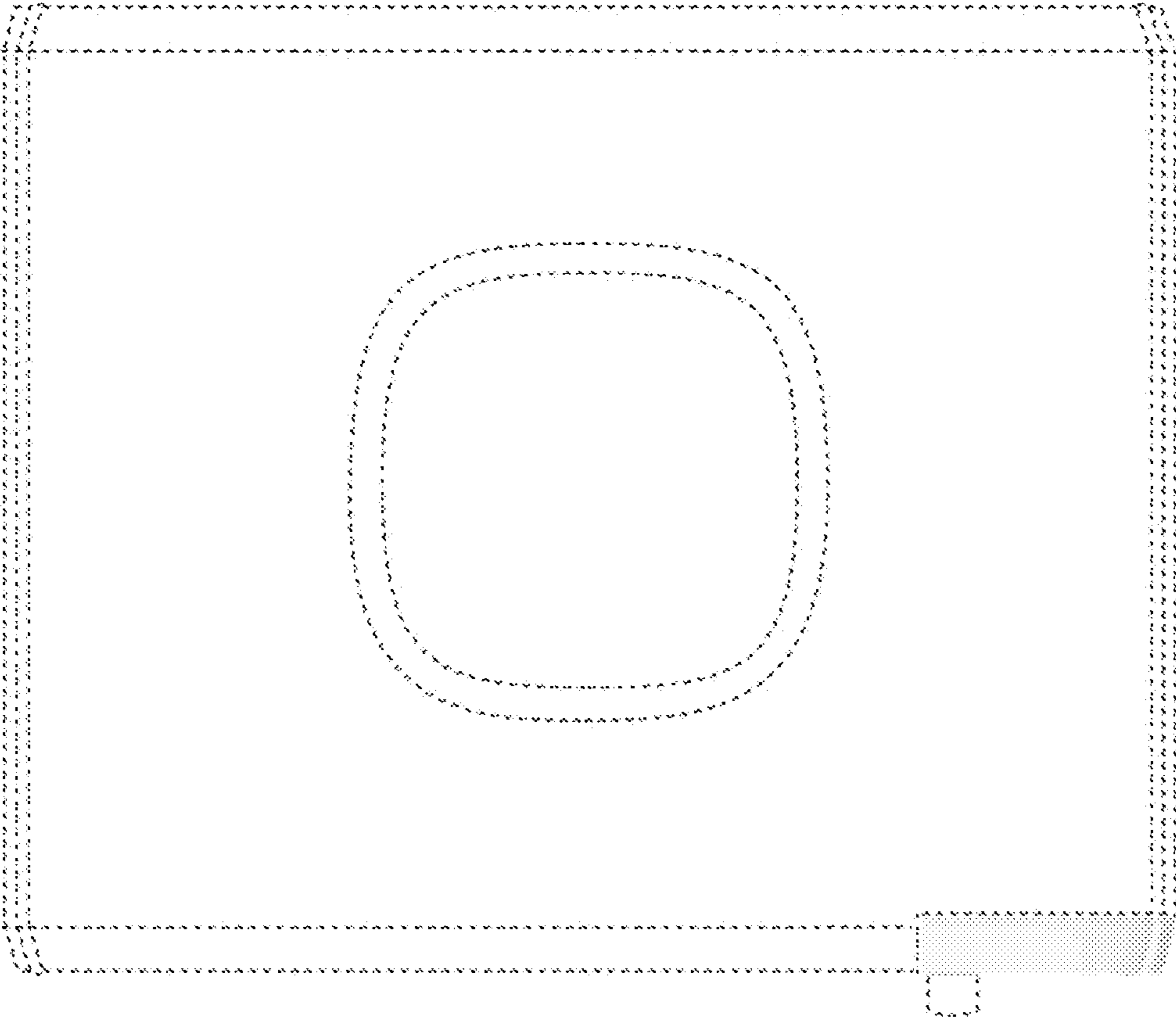


FIG. 6