



US00D967455S

(12) **United States Design Patent** (10) **Patent No.:** **US D967,455 S**
Castilla et al. (45) **Date of Patent:** **** Oct. 18, 2022**

(54) **TUBE AND CAP SPACER**
(71) Applicant: **DNA Genotek Inc., Kanata (CA)**
(72) Inventors: **Karina Gail Castilla, Stittsville (CA);
Rafal Michal Iwasiow, Ottawa (CA);
Adele Jackson, Stittsville (CA)**
(73) Assignee: **DNA Genotek Inc., Kanata (CA)**
(**) Term: **15 Years**
(21) Appl. No.: **29/767,311**
(22) Filed: **Jan. 21, 2021**
(51) **LOC (13) Cl.** **24-02**
(52) **U.S. Cl.**
USPC **D24/224**
(58) **Field of Classification Search**
USPC D24/112-114, 127-131, 133, 186, 224;
D9/439, 440, 503, 521; D25/38.1, 61;
D23/399, 303, 269; D8/331, 333, 334,
D8/342, 354, 382
CPC A61M 39/288; A61M 16/00; B25G 3/18;
F16C 35/073; F16C 19/06; Y10T
403/7011; A62B 18/02; A62B 18/10
See application file for complete search history.

D827,150 S * 8/2018 Nakagawa D24/224
D865,942 S * 11/2019 Kinast A61F 9/0026
D24/128
D867,586 S * 11/2019 Kemps D24/129
D877,355 S * 3/2020 Russo D24/224
D914,907 S * 3/2021 Wang D24/224
(Continued)

OTHER PUBLICATIONS

Stainless steel tube connector for diameter 43 and diameter 50.8mm round tube balustrade post. Online, published date unknown. Retrieved on Mar. 25, 2022 from URL: <https://www.chinabalustrade.com/products/Stainless-steel-tube-connector-for-diameter-43-and-diameter-50.8mm-round-tube-balustrade-post.html>.
(Continued)

Primary Examiner — Omeed Agilee
(74) *Attorney, Agent, or Firm* — Maier & Maier, PLLC

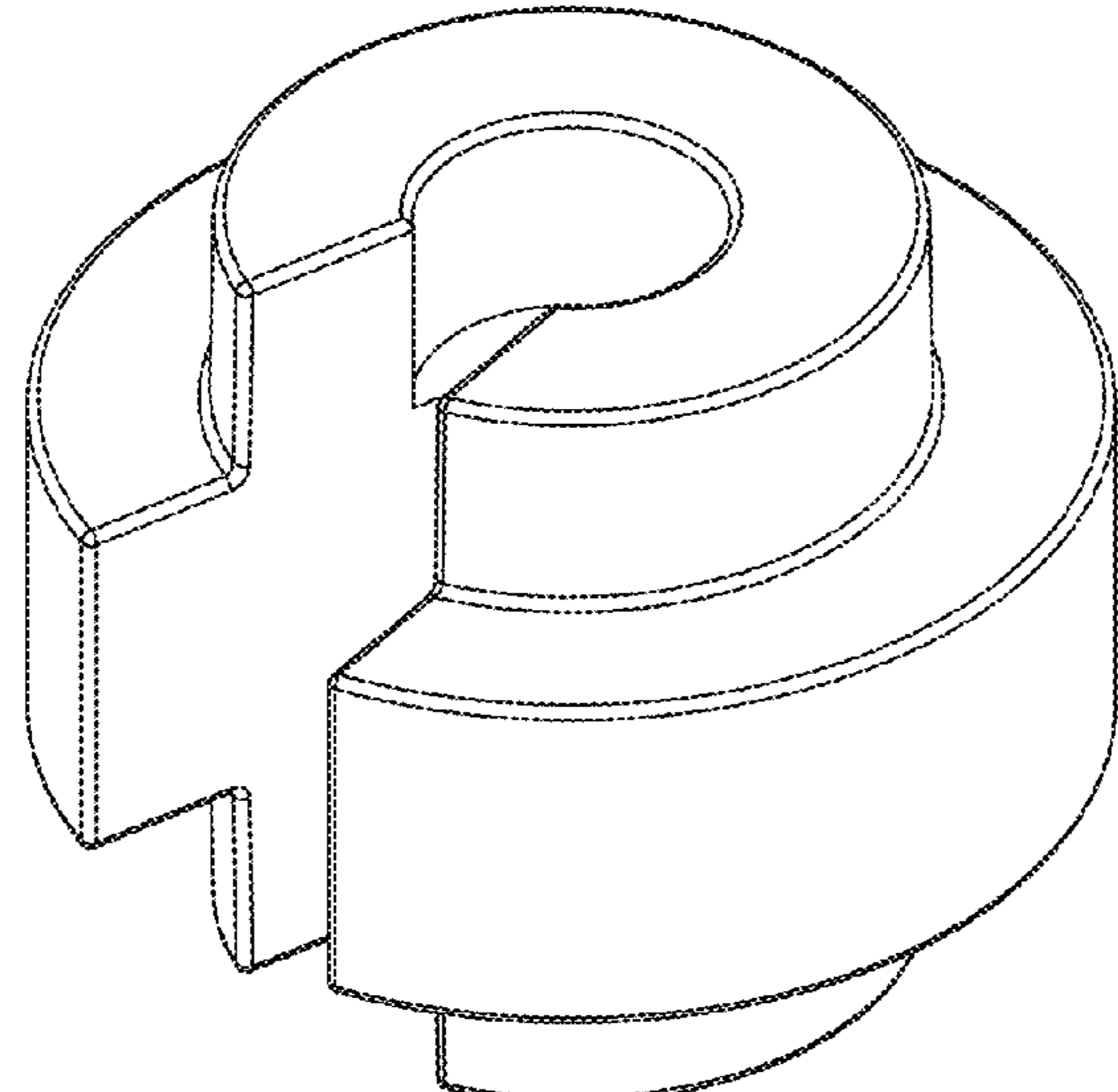
(57) **CLAIM**
The ornamental design for a tube and cap spacer, as shown and described.

DESCRIPTION

FIG. 1 is a left perspective view of a tube and cap spacer in accordance with the present design;
FIG. 2 is a top view thereof;
FIG. 3 is a left side view thereof;
FIG. 4 is a rear view thereof;
FIG. 5 is a front view thereof;
FIG. 6 is a right side view thereof;
FIG. 7 is a bottom view thereof;
FIG. 8 is a right perspective view thereof;
FIG. 9 is a front view thereof showing the tube and cap spacer assembled with a tube and cap; and,
FIG. 10 is a front exploded view thereof showing the tube and cap spacer with a tube and cap.
The broken lines in the drawings depict environmental subject matter and form no part of the claimed design.

1 Claim, 10 Drawing Sheets

(56) **References Cited**
U.S. PATENT DOCUMENTS
D253,721 S * 12/1979 Gibeck D23/209
5,477,849 A * 12/1995 Fry A61M 15/0086
128/200.14
D453,815 S * 2/2002 Hoenig D23/262
D472,630 S * 4/2003 Douglas D24/129
D659,243 S * 5/2012 Sangha D24/129
D663,024 S * 7/2012 Trifilio D24/130
D671,208 S * 11/2012 Trifilio D24/128
D709,187 S * 7/2014 Li A61M 39/00
D24/129
D781,437 S * 3/2017 Valley D24/227
D825,737 S * 8/2018 Yokoyama D24/129



(56)

References Cited

U.S. PATENT DOCUMENTS

D923,814 S * 6/2021 Lee D24/224
D933,172 S * 10/2021 Garcia Blanco D23/262

OTHER PUBLICATIONS

Delrin Spacer. (Used with Large Mounting Clamp to Step-up from C-size Tube to T-size Tube). Online, published date unknown. Retrieved on Mar. 25, 2022 from URL: <https://www.infinity-usa.com/product/delrin-spacer-used-with-large-mounting-clamp-to-step-up-from-c-size-tube-to-t-size-tube/>.*

* cited by examiner

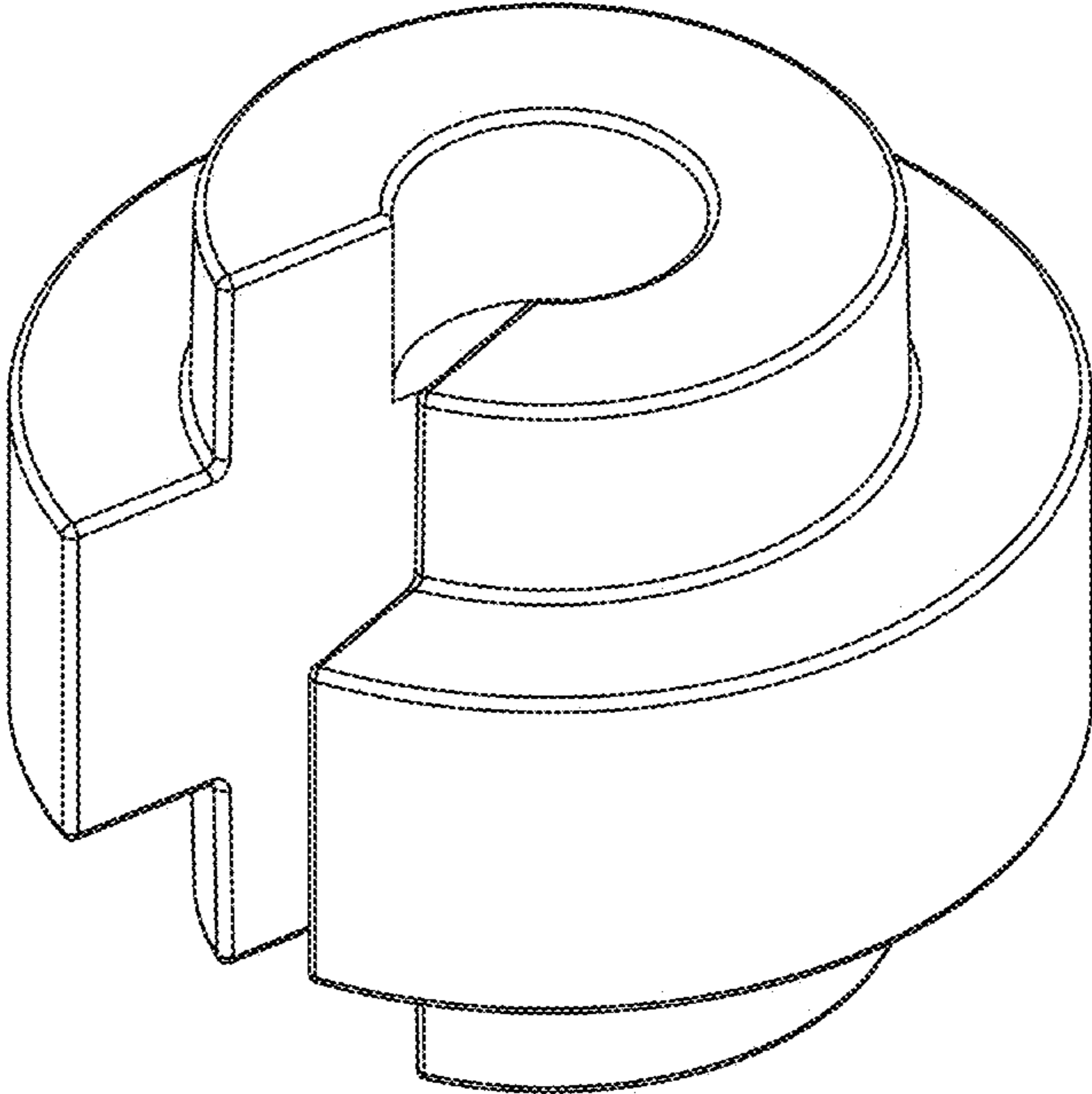


FIG. 1

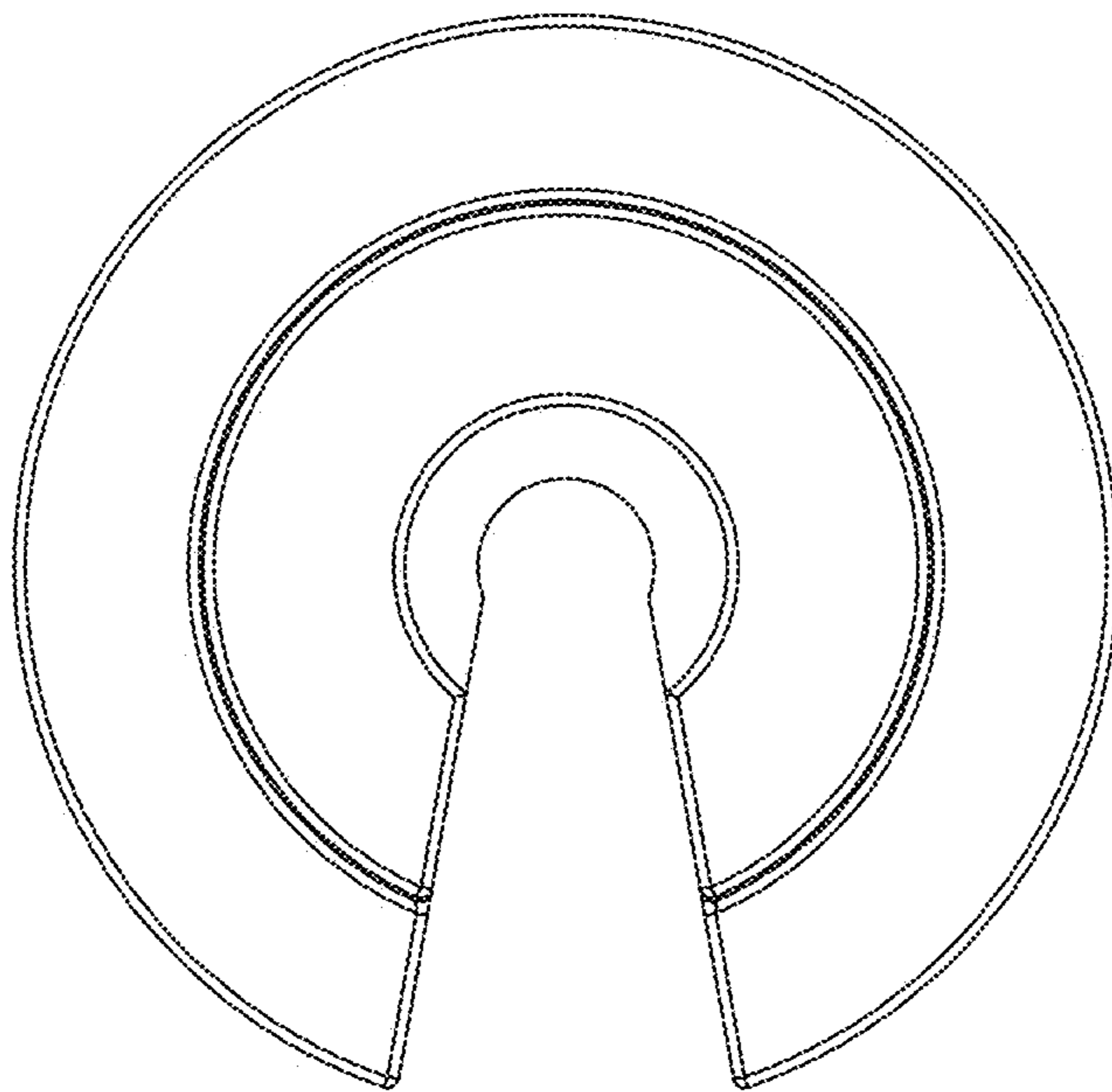


FIG. 2

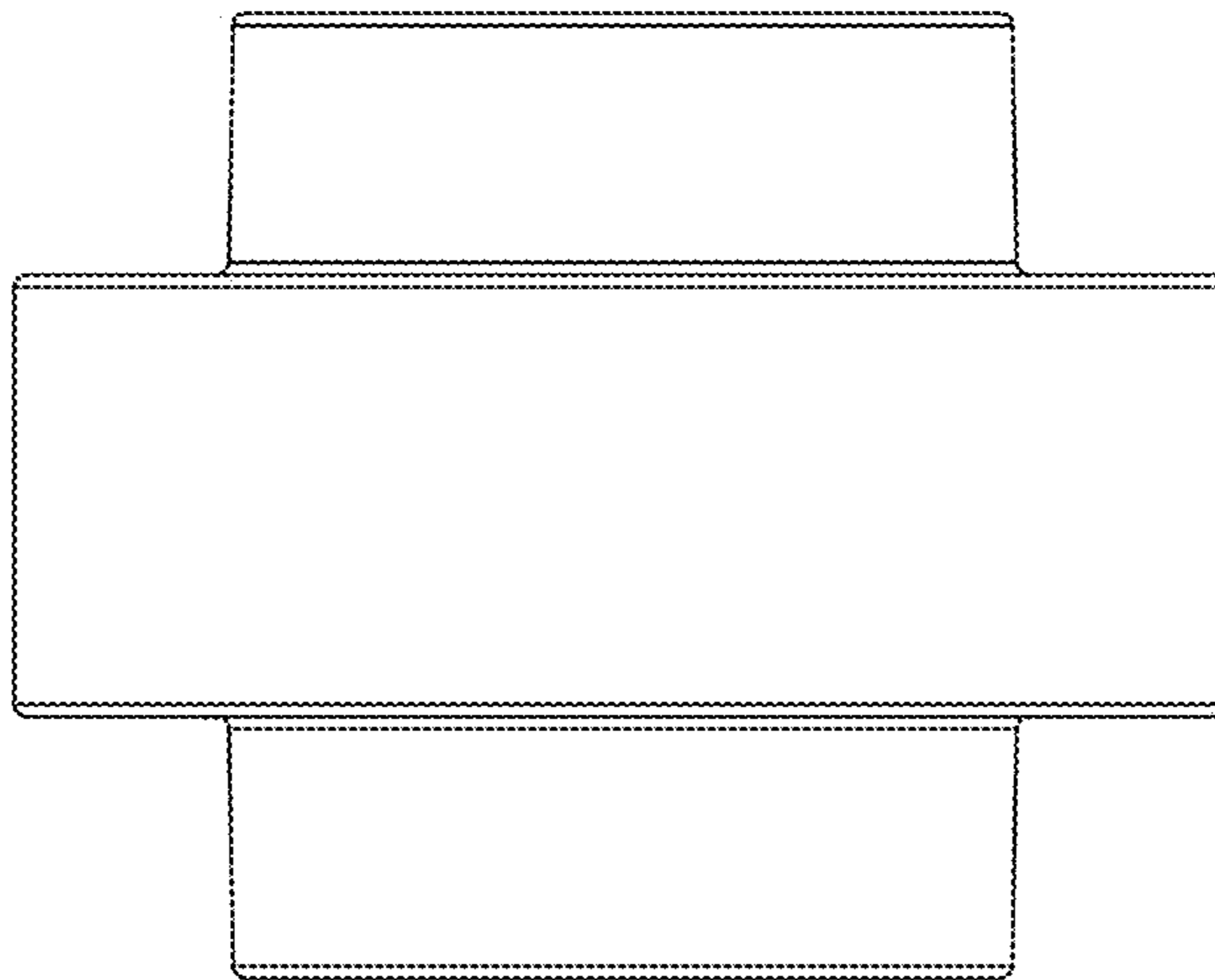


FIG. 3

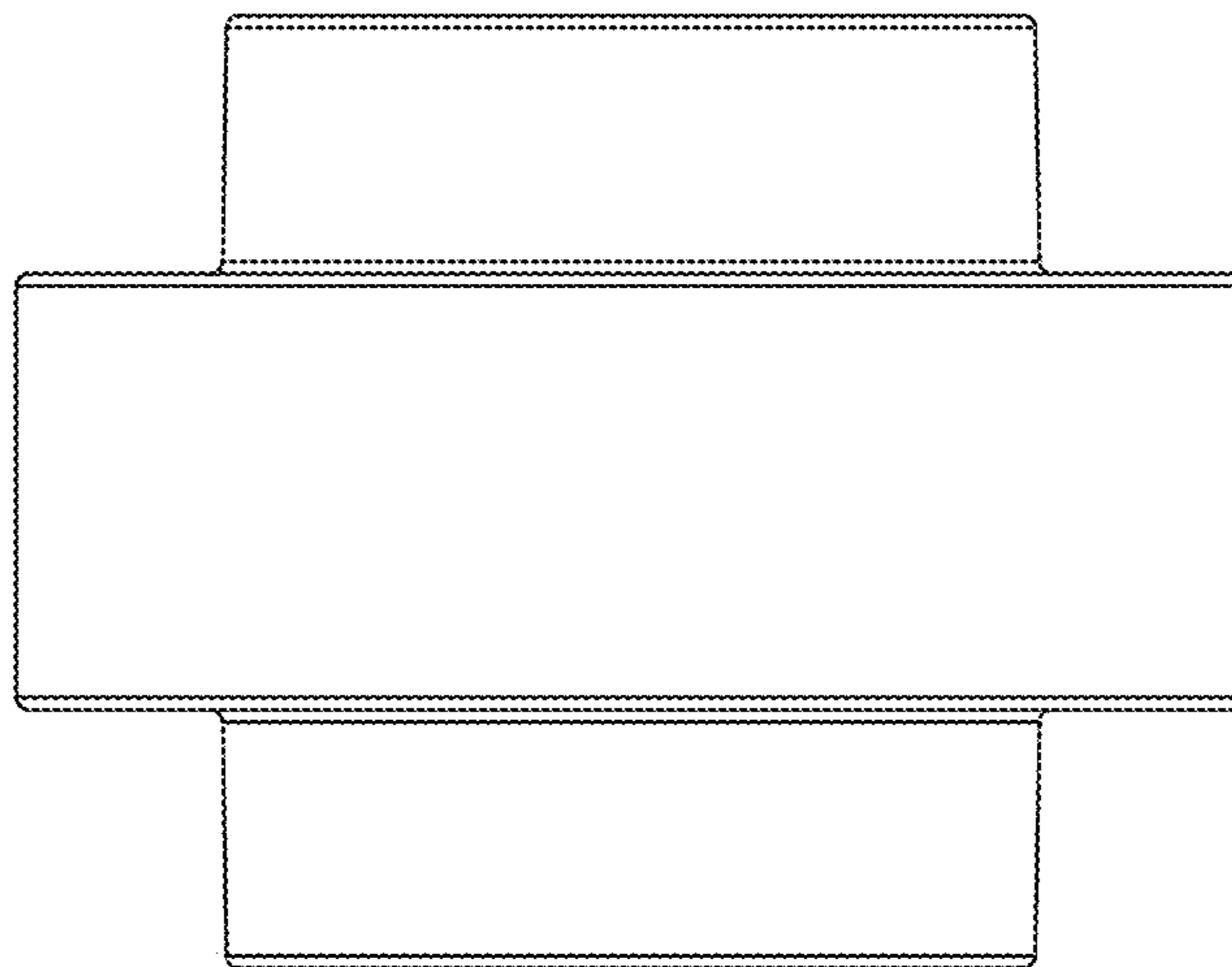


FIG. 4

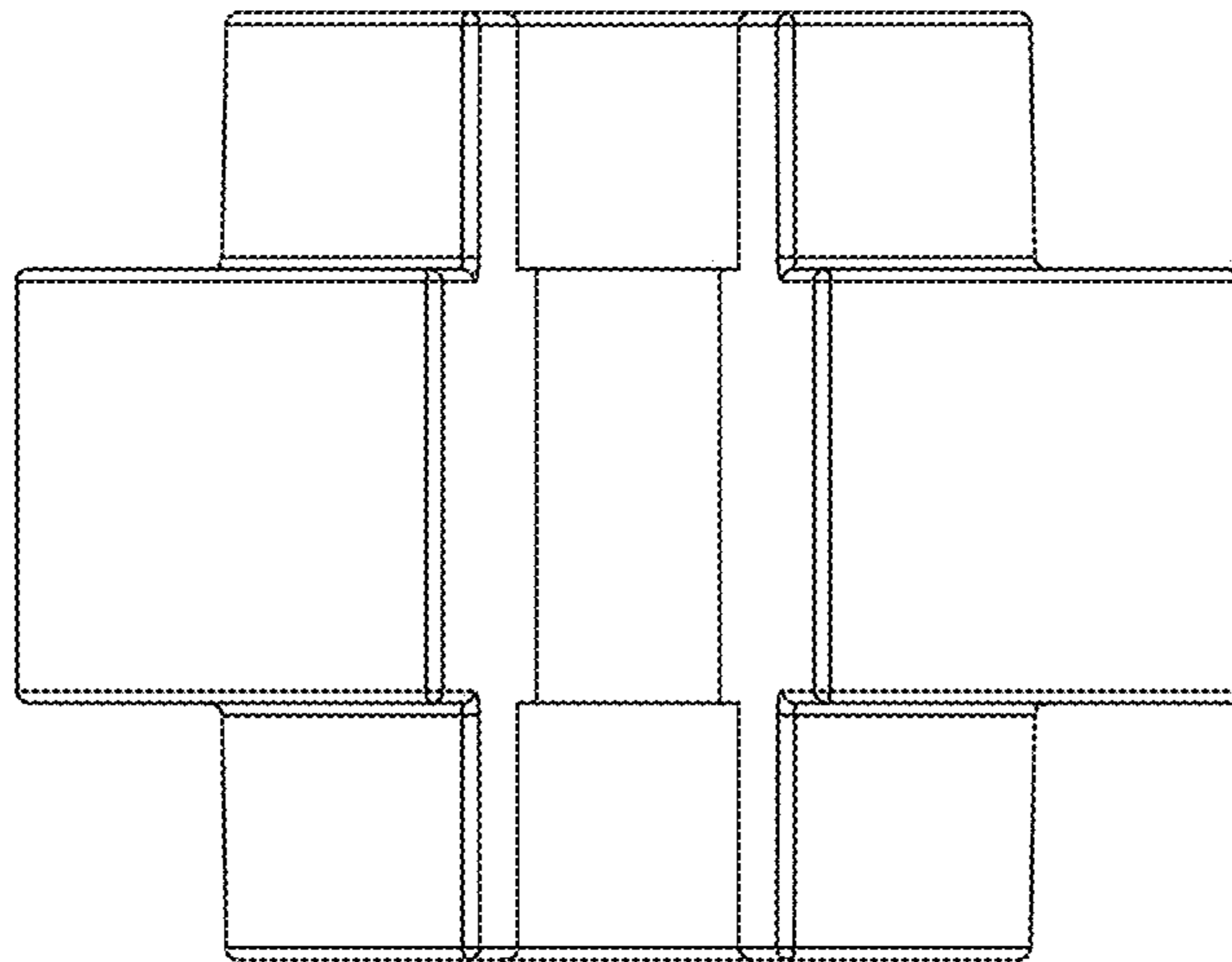


FIG. 5

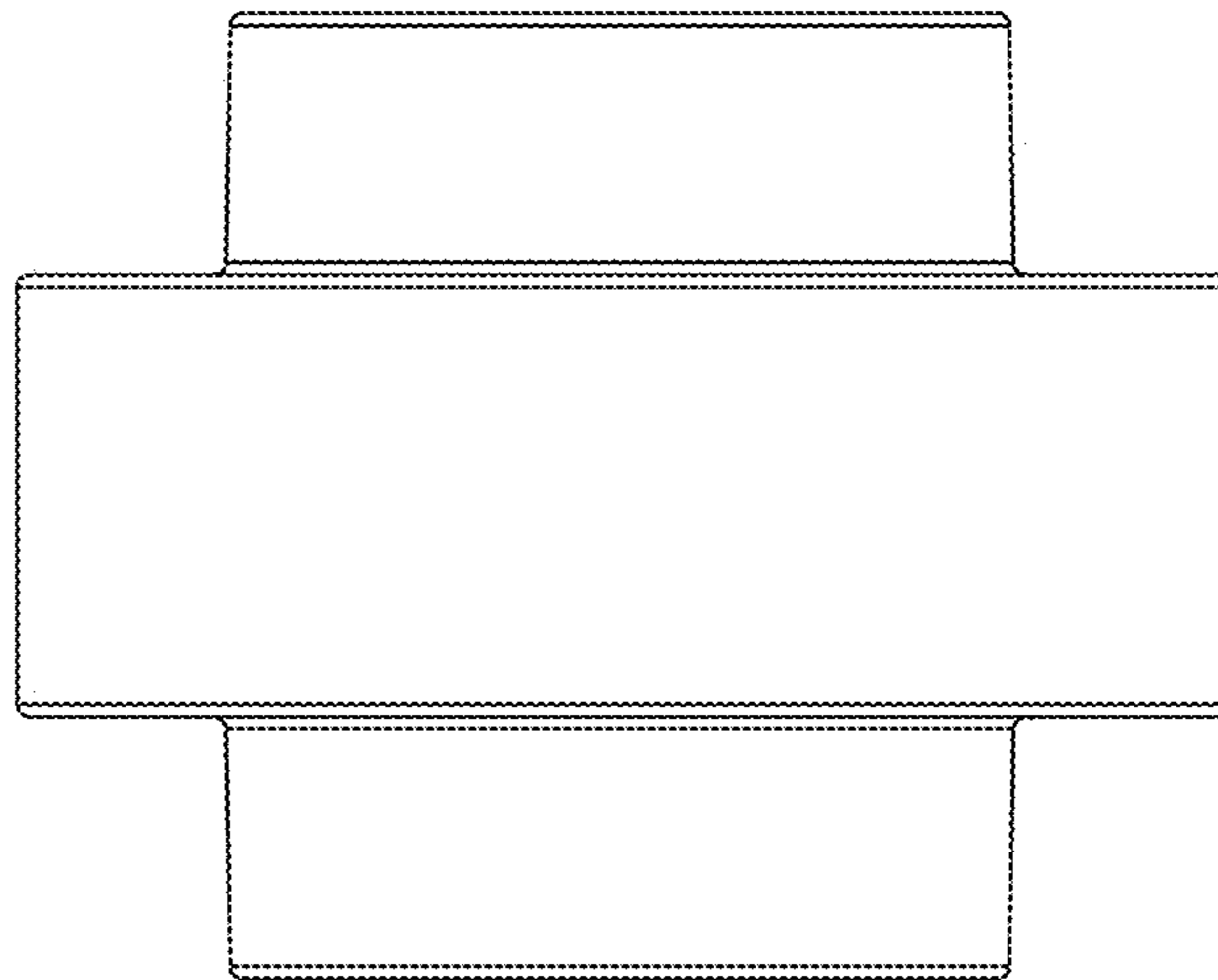


FIG. 6

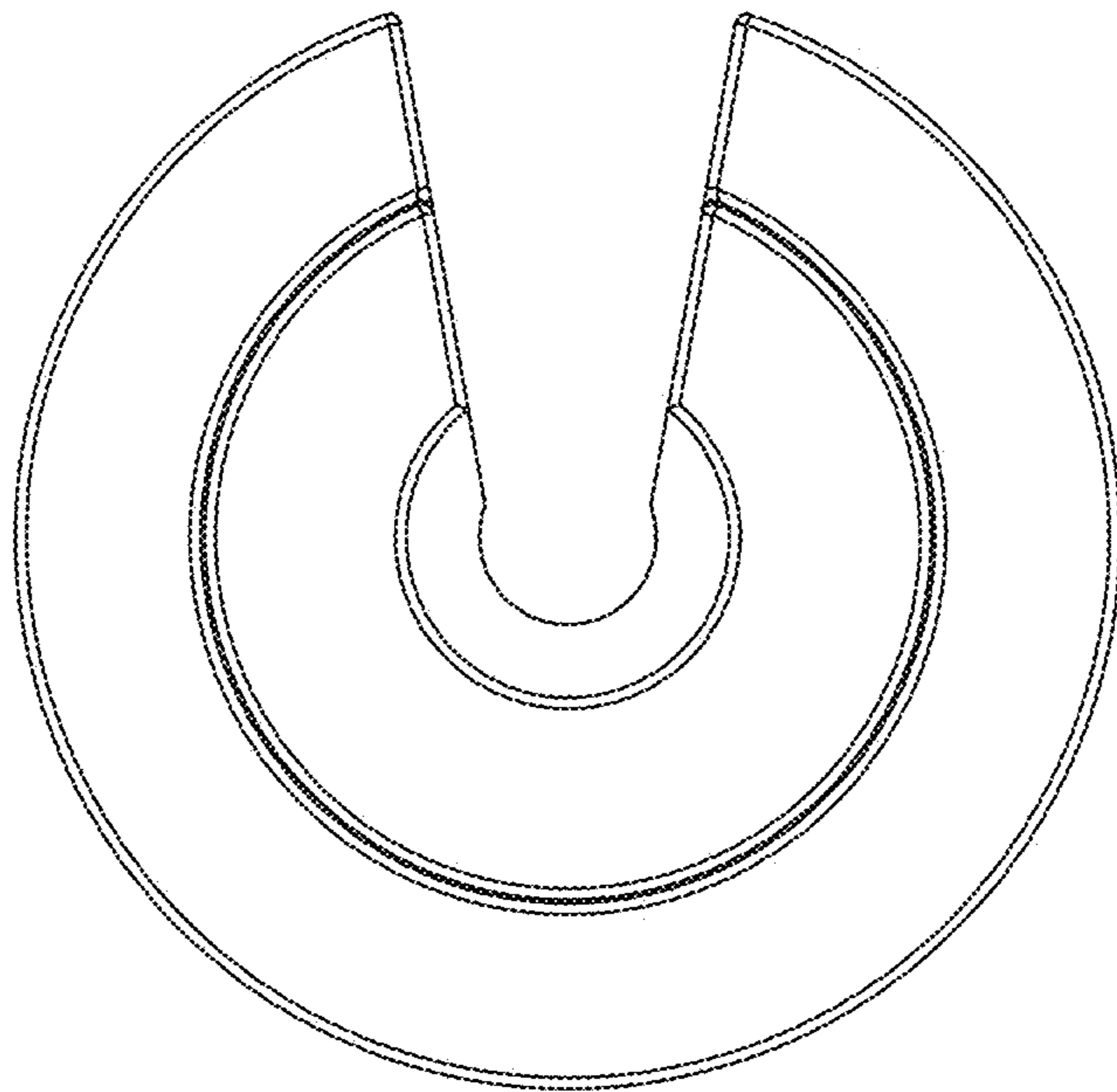


FIG. 7

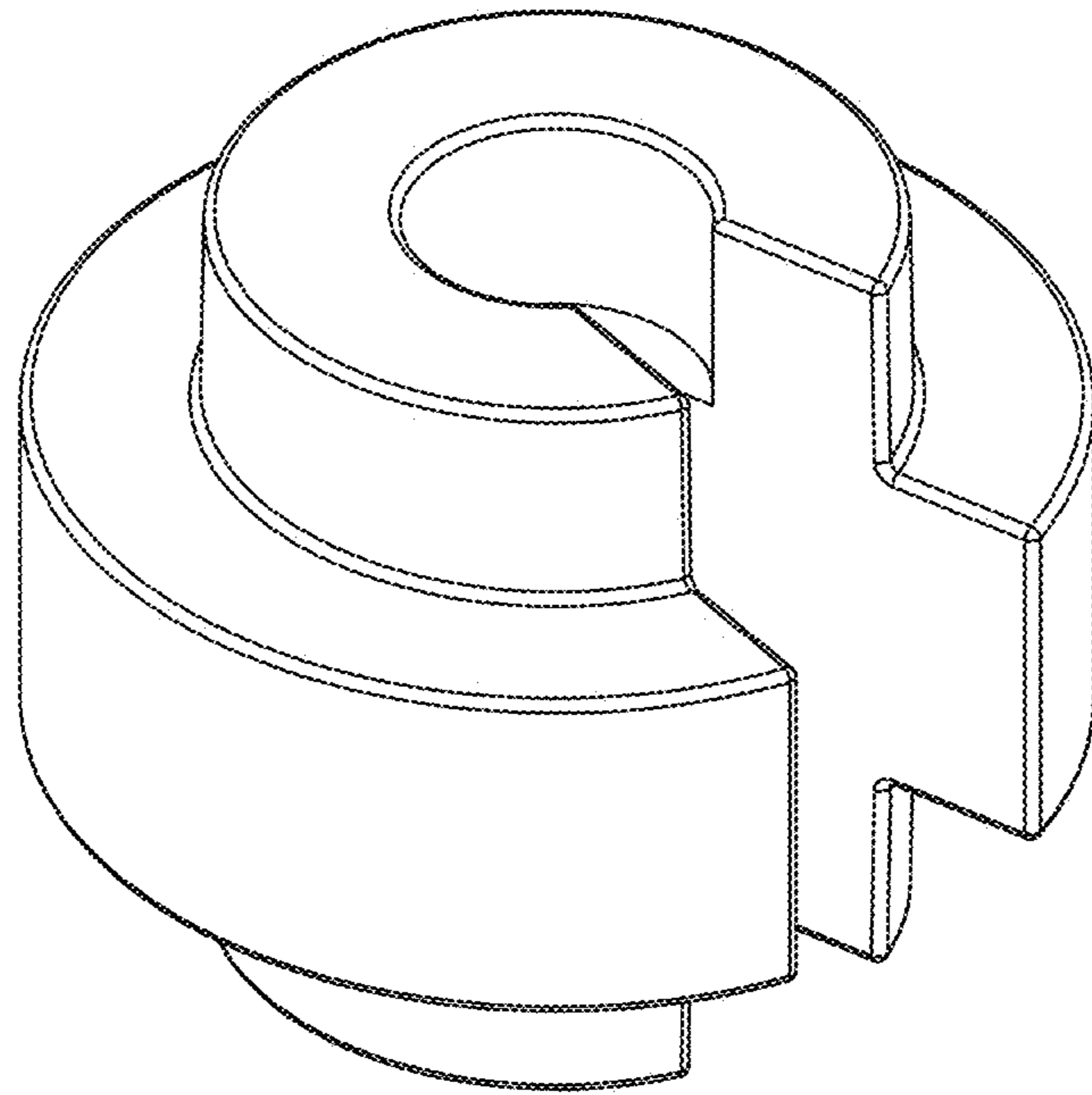


FIG. 8

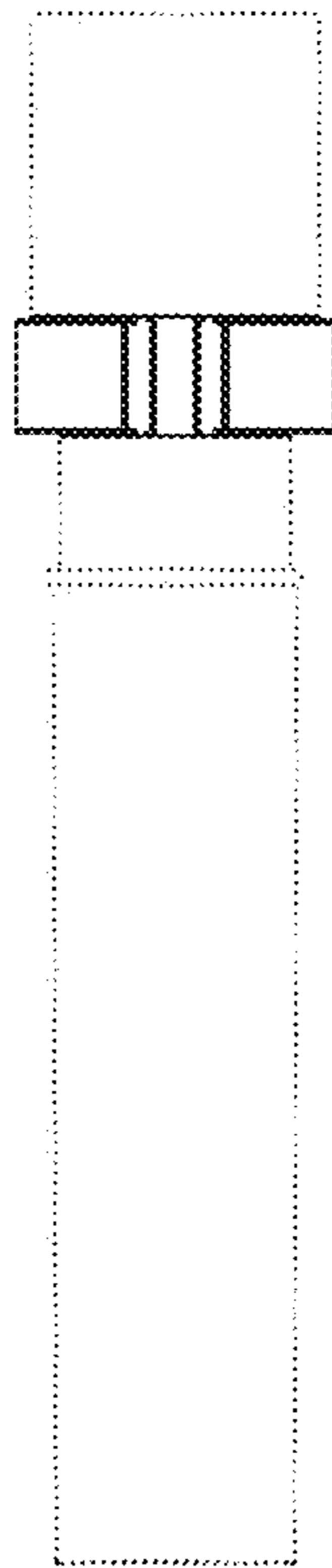


FIG. 9

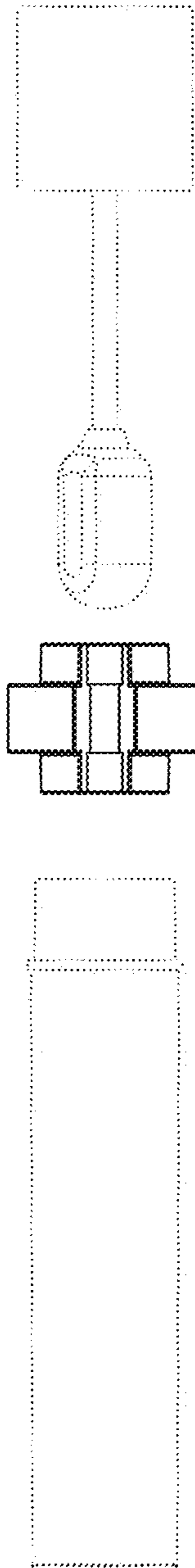


FIG. 10