

US00D967452S

(12) **United States Design Patent** (10) **Patent No.:** **US D967,452 S**
Perraudeau et al. (45) **Date of Patent:** **** Oct. 18, 2022**

(54) **DEVICE FOR SELF-MASSAGE**

D912,336 S * 3/2021 Crouch D30/160
D914,225 S * 3/2021 Mills D24/211
D915,613 S * 4/2021 Durfee D24/211

(71) Applicant: **PERCKO**, Paris (FR)

(Continued)

(72) Inventors: **Quentin Perraudeau**, Paris (FR);
Alexis Ucko, Paris (FR)

OTHER PUBLICATIONS

(73) Assignee: **PERCKO**, Paris (FR)

Kubbick, "LOOP_The Massage Tool", Access date Jun. 8, 2022.
<https://www.kubbick.com/en/well-being-and-health/462-loop-the-self-massage-accessory-to-relieve-back-pain.html>. Shown on p. 1.
(Year: 2022).*

(**) Term: **15 Years**

(Continued)

(21) Appl. No.: **29/774,903**

(22) Filed: **Mar. 19, 2021**

Primary Examiner — Michael A Maharajh

(51) **LOC (13) Cl.** **28-03**

(74) *Attorney, Agent, or Firm* — Pillsbury Winthrop Shaw Pittman LLP

(52) **U.S. Cl.**

(57) **CLAIM**

USPC **D24/215**

The ornamental design for a device for self massage, as shown and described.

(58) **Field of Classification Search**

DESCRIPTION

USPC D24/200, 211, 212, 213, 214, 215;
D30/160; D12/178

CPC A61H 7/001; A61H 7/007; A61H 7/00;
A61H 15/0092; A61H 2015/0014; A61H
2015/0042

See application file for complete search history.

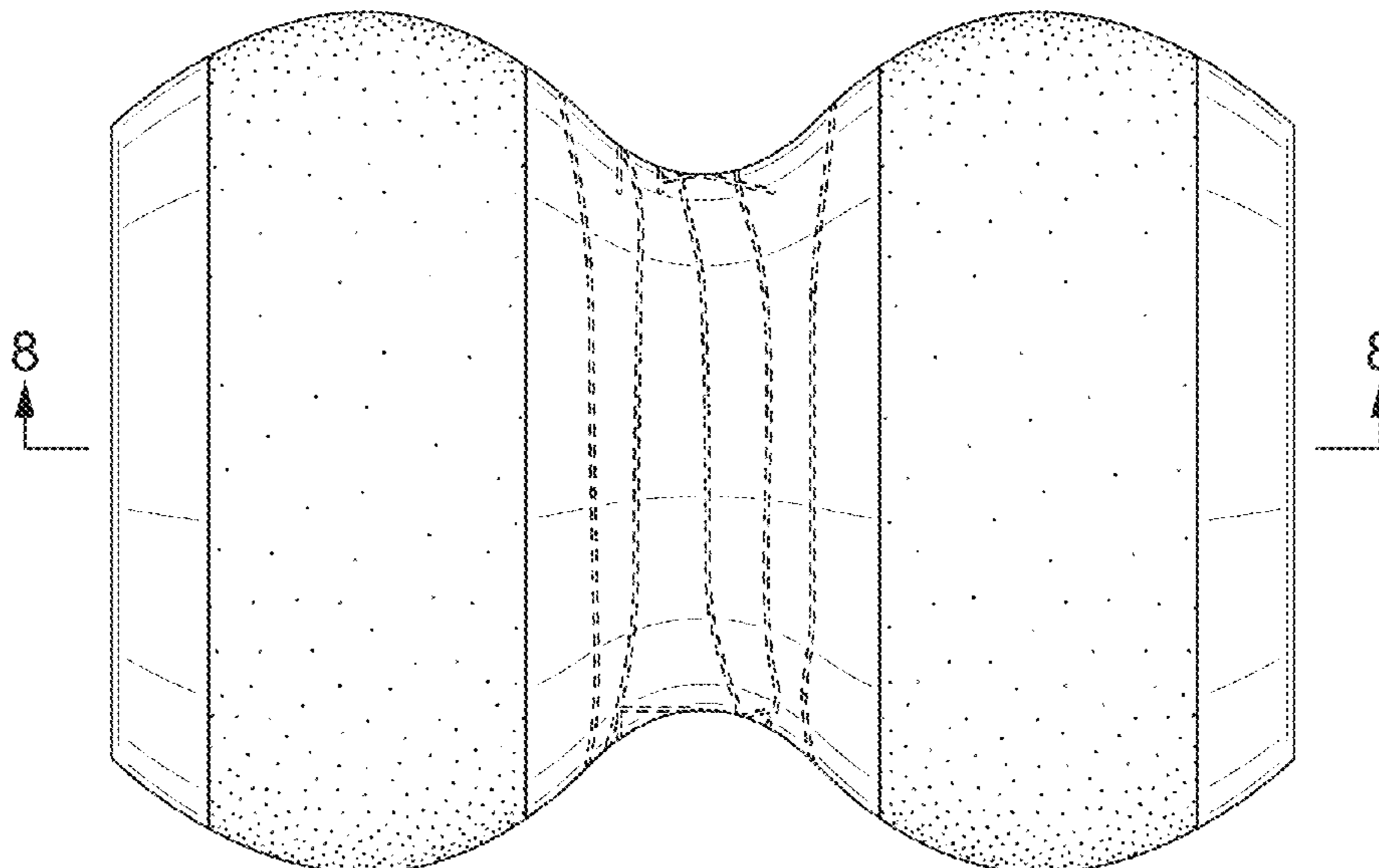
(56) **References Cited**

U.S. PATENT DOCUMENTS

D492,791 S *	7/2004	Alexander	D24/211
D553,253 S *	10/2007	Gayne	D24/215
D689,155 S *	9/2013	Jahns	D21/692
D717,963 S *	11/2014	Milton	D24/215
D800,330 S *	10/2017	Loos	A61H 15/00 D24/211
D820,993 S *	6/2018	Huang	D24/215
D822,918 S *	7/2018	Woods	D30/160
D827,847 S *	9/2018	Downare	D24/211
D857,129 S *	8/2019	Lim	D21/662
D858,911 S *	9/2019	Becattini, Jr.	D30/160
D879,203 S *	3/2020	Taselaridis	D21/398
D879,887 S *	3/2020	Loftin, III	D6/601
D906,447 S *	12/2020	Benton	D21/681
10,888,069 B2 *	1/2021	Becattini, Jr.	A01K 5/0114

FIG. 1 is a front view according to our design;
FIG. 2 is a back view of the design;
FIG. 3 is a left side view of the design, the right side view being a mirror image thereof;
FIG. 4 is a left, front perspective view of the design;
FIG. 5 is a top view of the design;
FIG. 6 is a bottom view of the design;
FIG. 7 is detailed view of the design, as taken from FIG. 2;
FIG. 8 is cross sectional view as taken along line 8-8 in FIG. 1;
FIG. 9 is an exploded view of the design from a left, underside perspective; and,
FIG. 10 is a top view of the exploded view of FIG. 9.
In the drawings, the broken lines show portions of a device for self massage that form no part of the Claim. The dash-dot broken lines shown in FIGS. 2 and 7 are for the purpose of showing enlarged areas, and form no part of the claimed design.

1 Claim, 7 Drawing Sheets



(56)

References Cited

U.S. PATENT DOCUMENTS

D929,675 S * 8/2021 Wilhelm D30/160
D929,676 S * 8/2021 Jackson D30/160
D929,677 S * 8/2021 Toolan D30/160
D949,367 S * 4/2022 Wersland D24/211
2015/0057579 A1* 2/2015 Martinez A61H 15/02
601/19

OTHER PUBLICATIONS

Percko, "LOOP", Jun. 8, 2022. <https://percko.com/usd/shop/loop/>.
Shown on p. 1. (Year: 2022).*

* cited by examiner

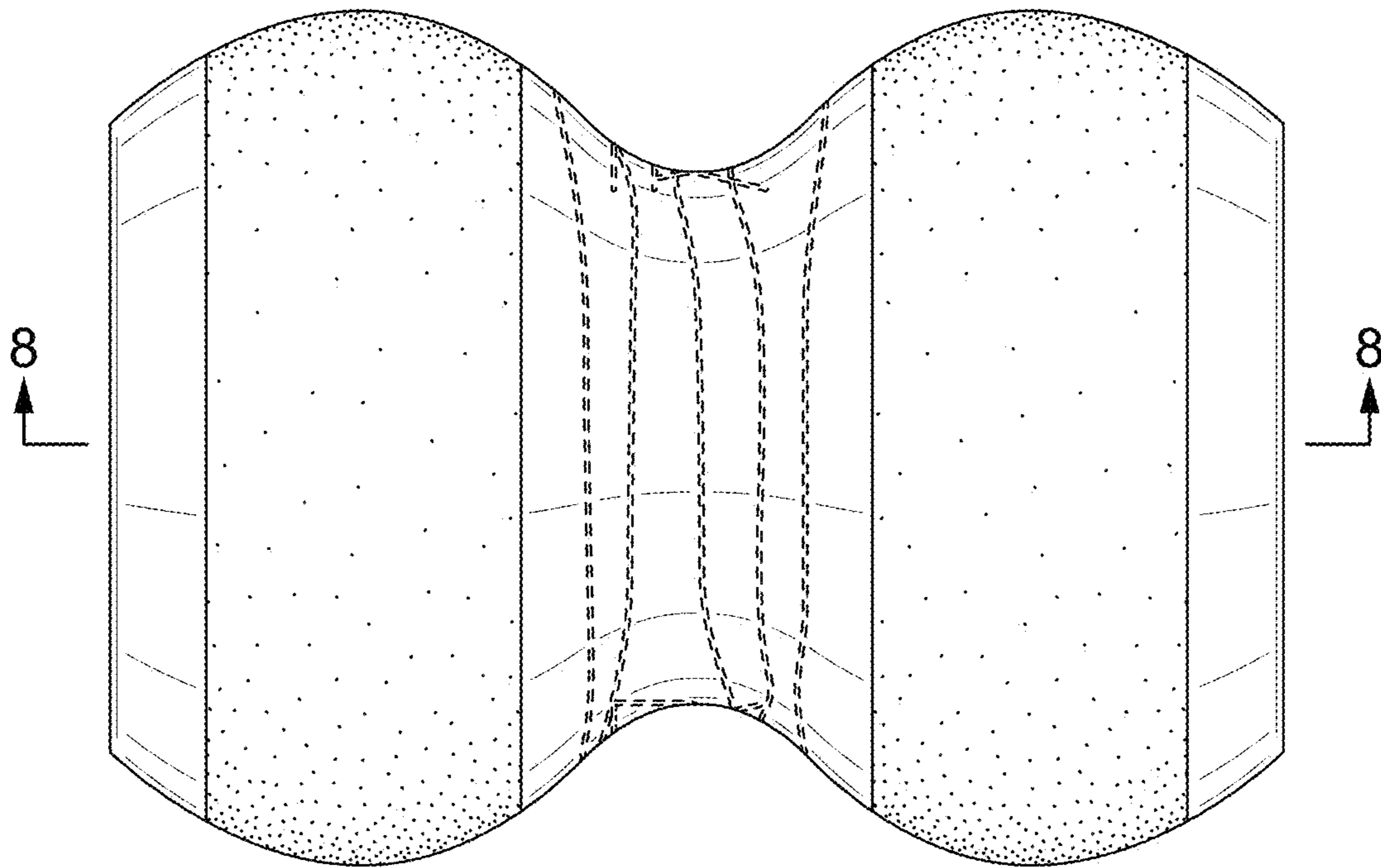


FIG. 1

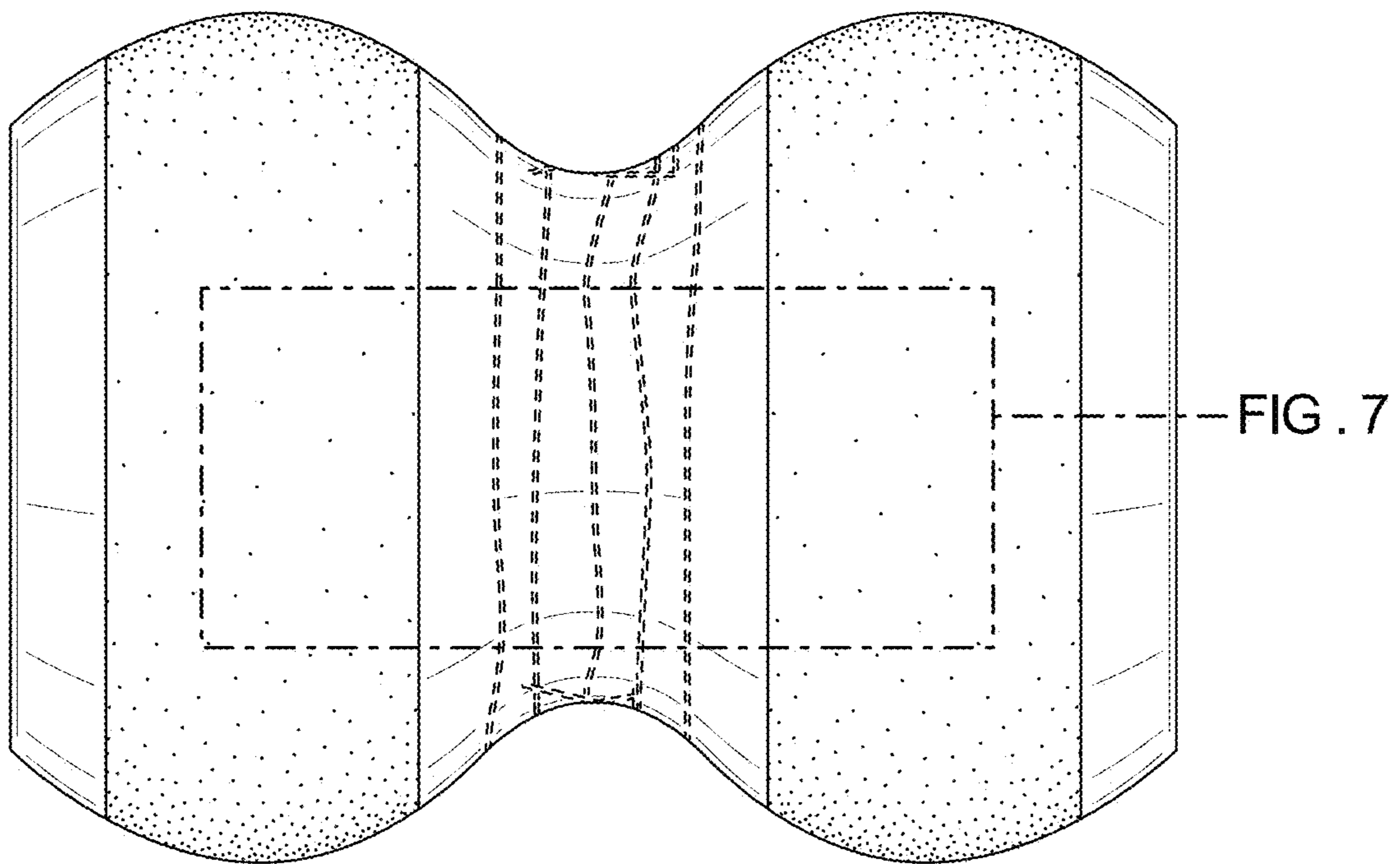


FIG. 2

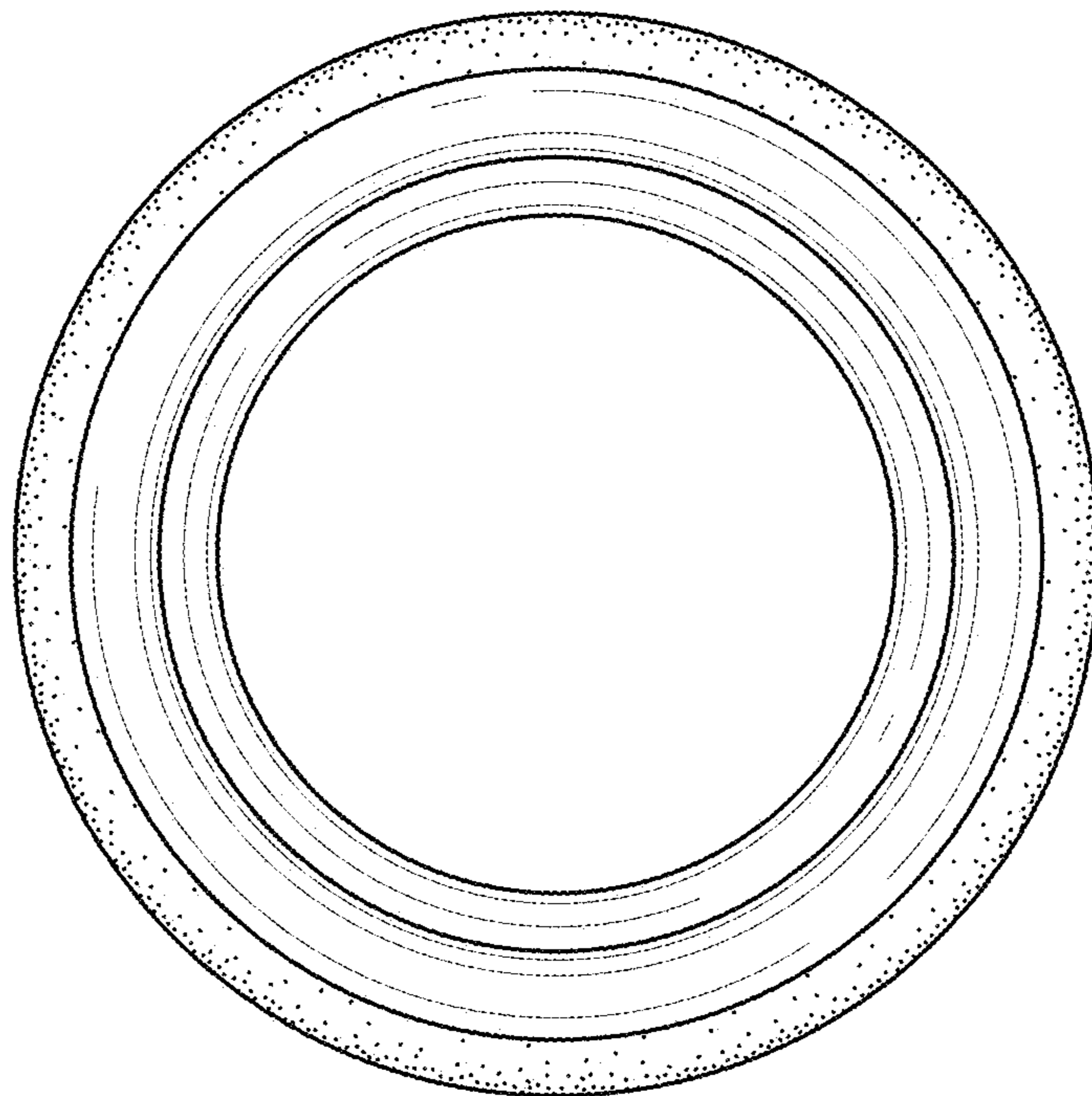


FIG. 3

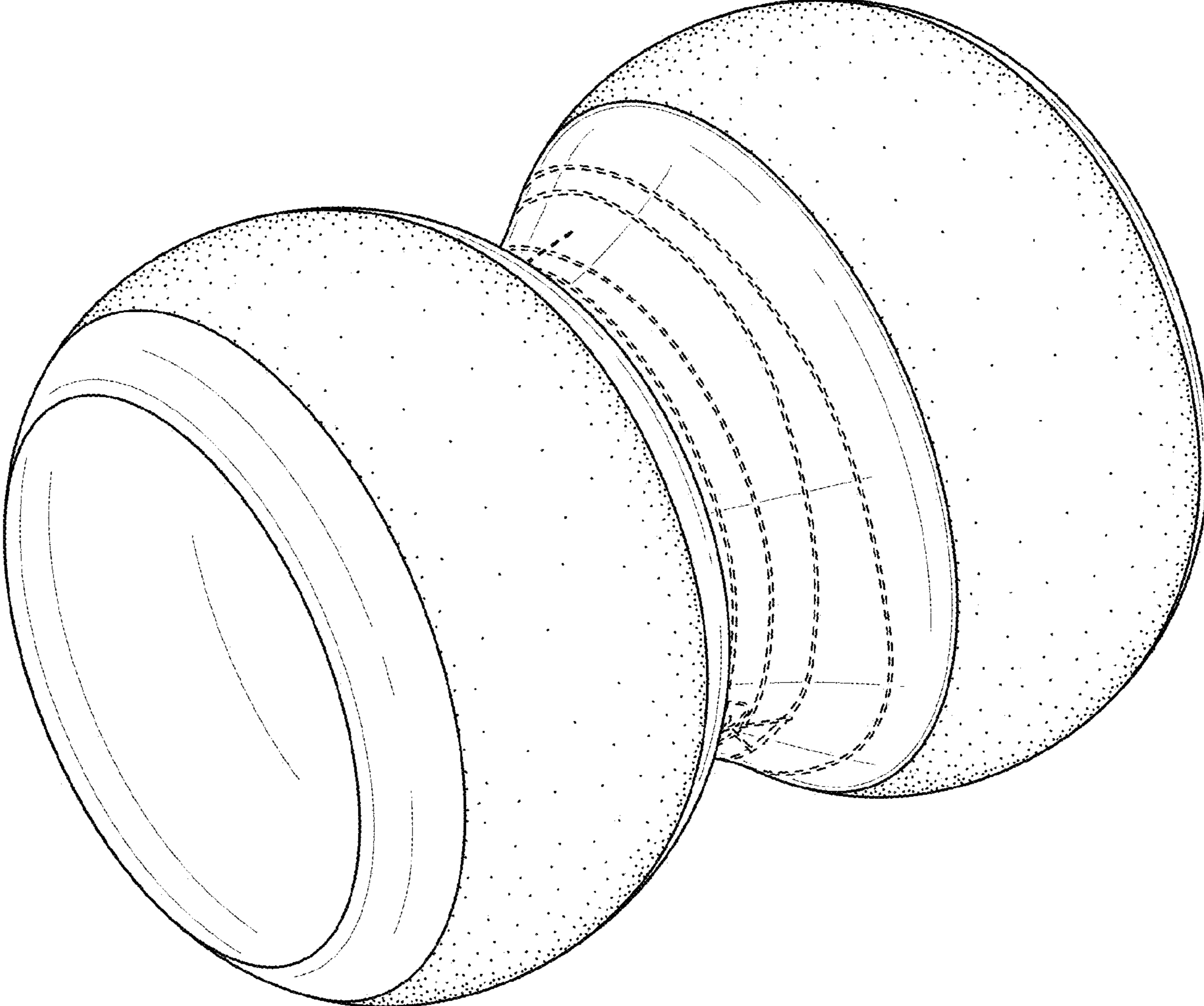


FIG. 4

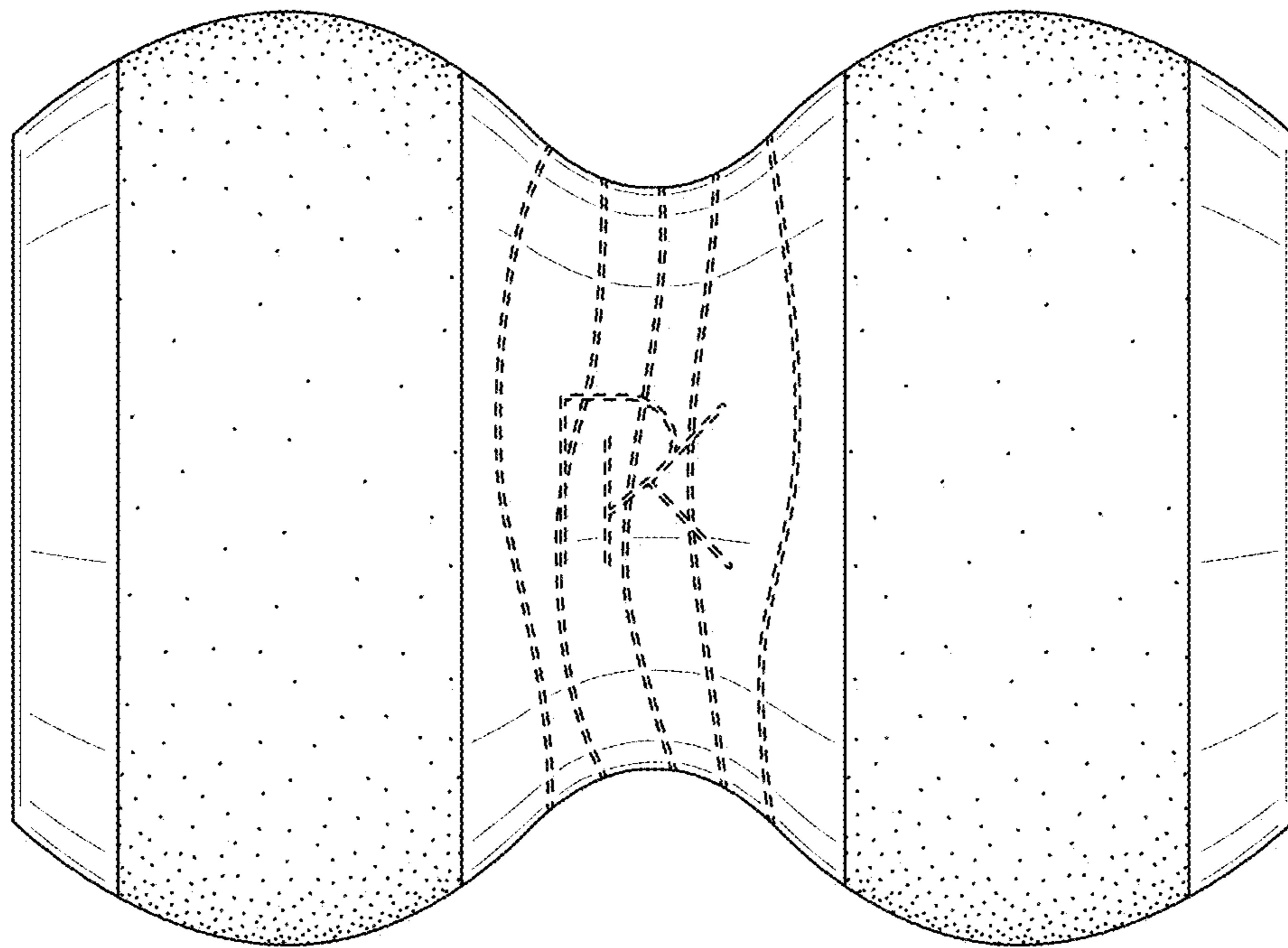


FIG. 5

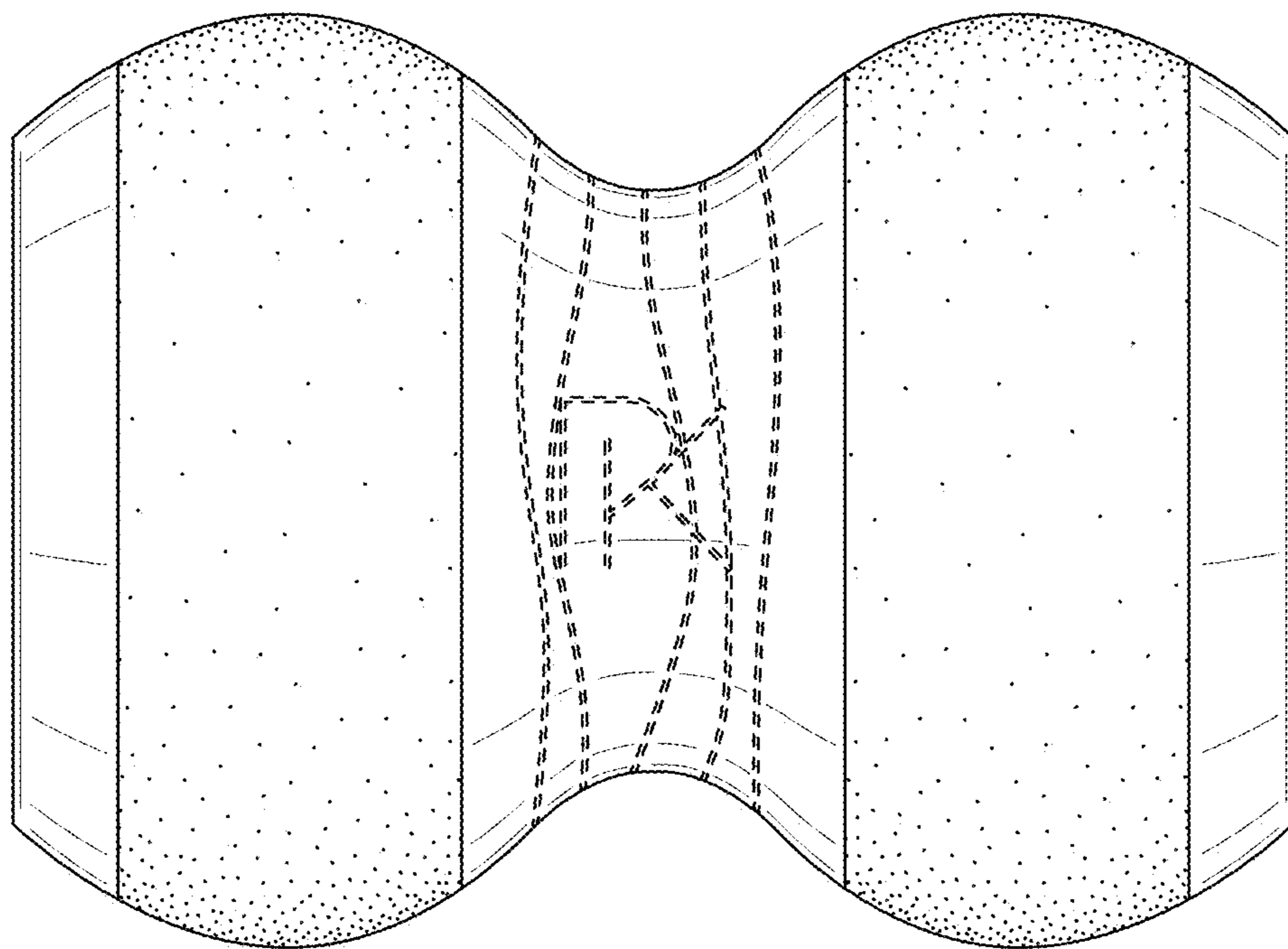


FIG. 6

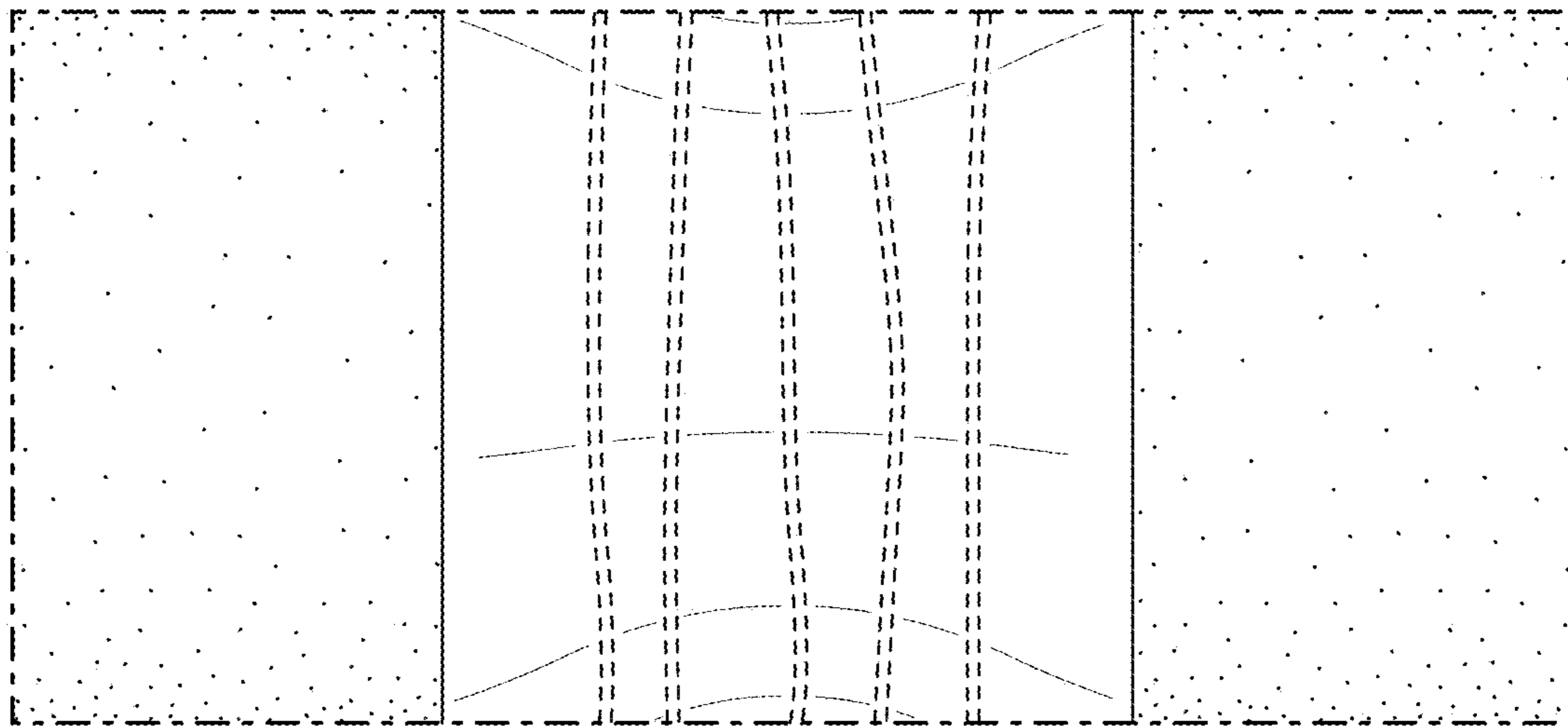


FIG. 7

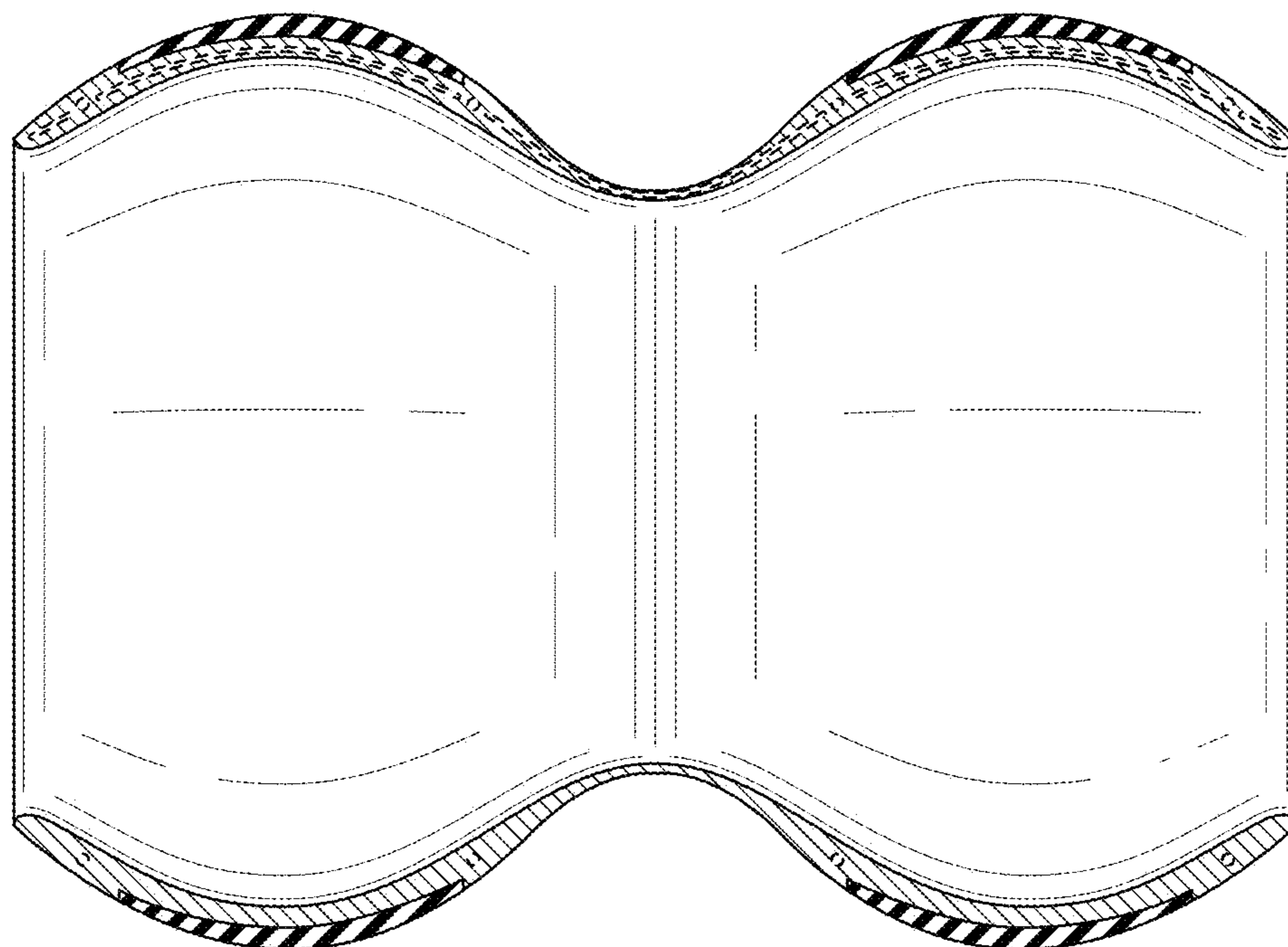


FIG. 8

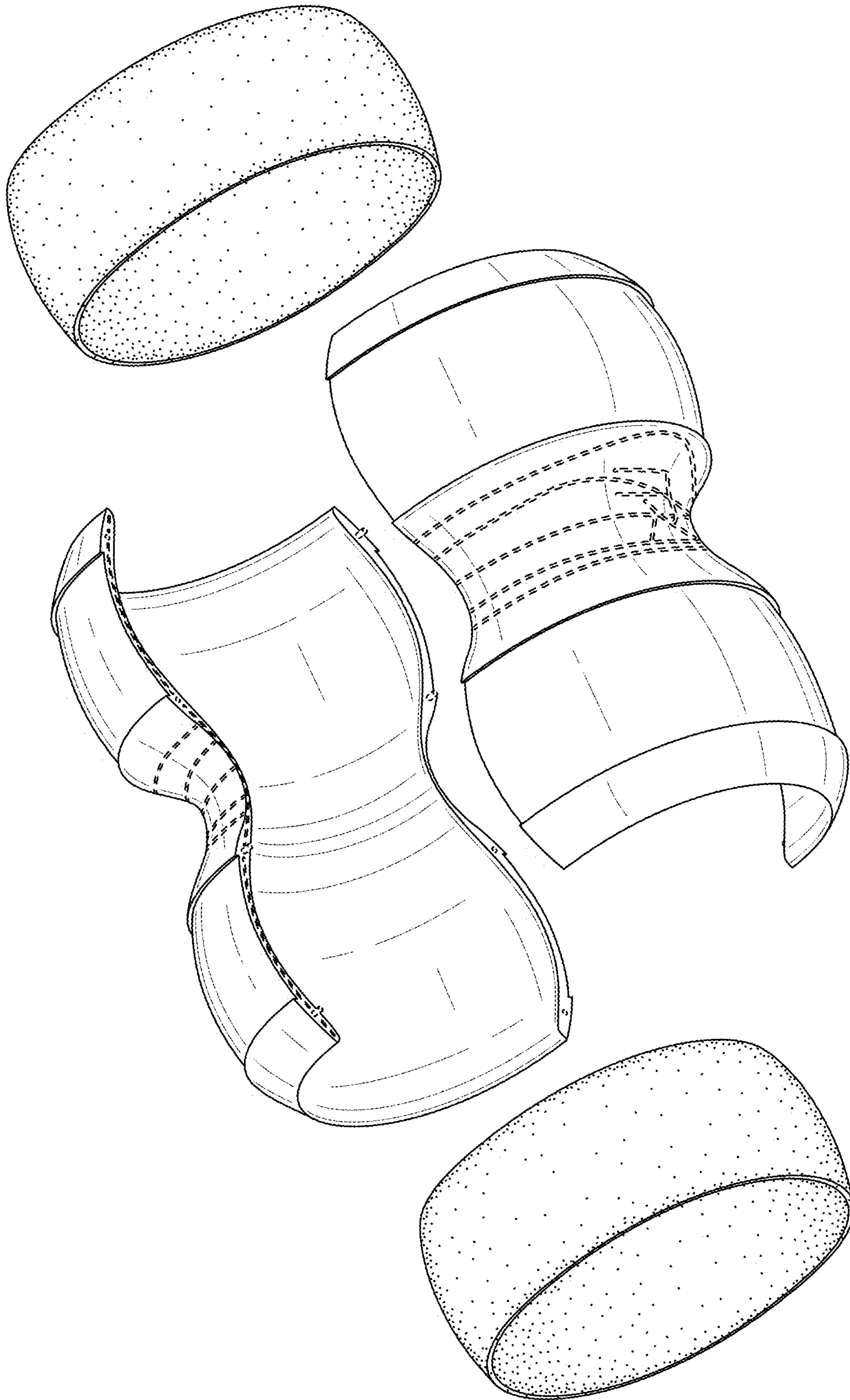


FIG. 9

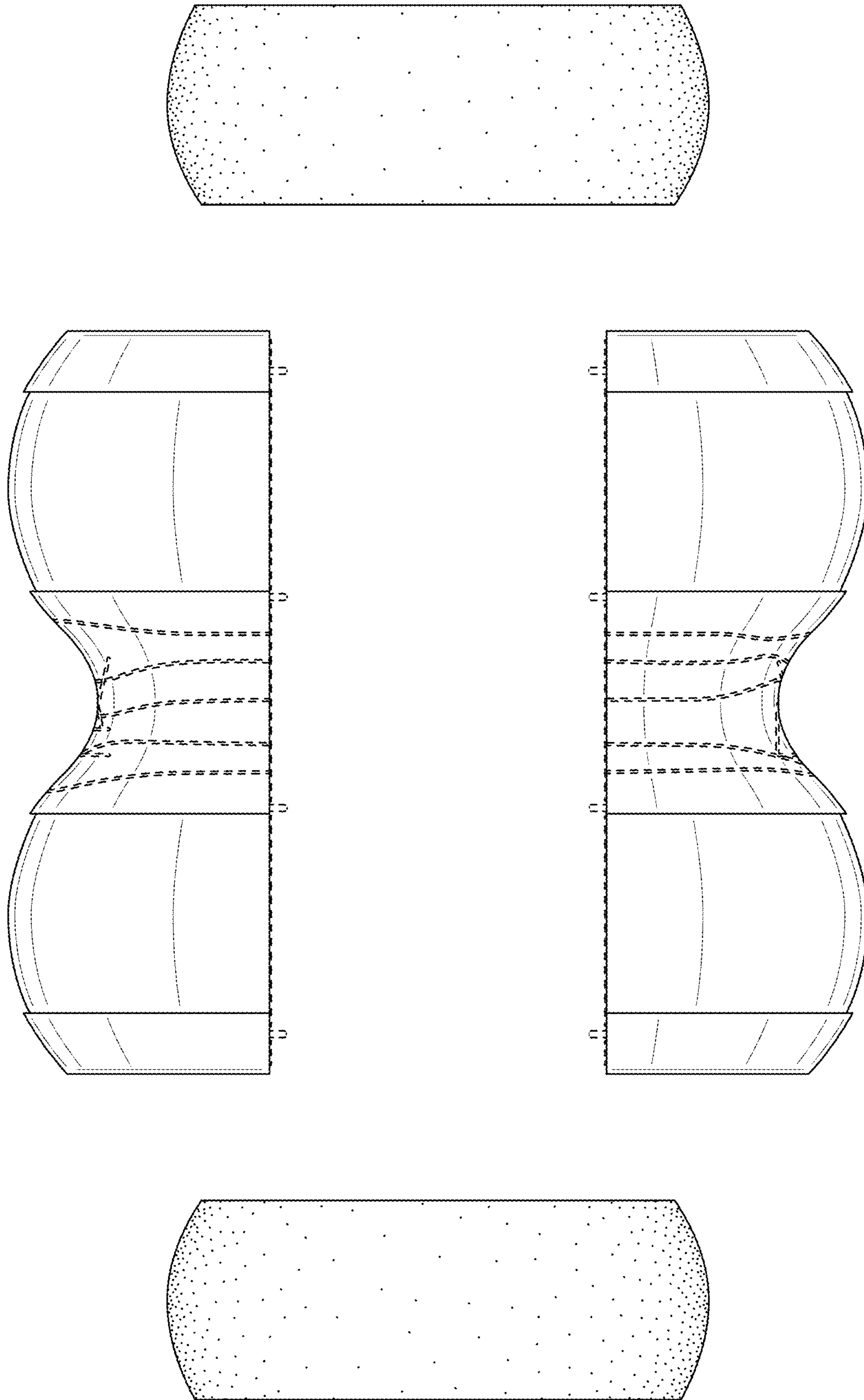


FIG. 10