

US00D967450S

(12) **United States Design Patent**
Zhang

(10) **Patent No.:** **US D967,450 S**

(45) **Date of Patent:** **** Oct. 18, 2022**

(54) **MESSAGE GUN**

(71) Applicant: **NINGBO CONXIN MACHINERY & ELECTRIC CO., LTD**, Ningbo (CN)

(72) Inventor: **Bosen Zhang**, Ningbo (CN)

(73) Assignee: **NINGBO CONXIN MACHINERY & ELECTRIC CO., LTD.**, Ningbo (CN)

(**) Term: **15 Years**

(21) Appl. No.: **29/736,490**

(22) Filed: **Jun. 1, 2020**

(30) **Foreign Application Priority Data**

Apr. 10, 2020 (CN) 202030140814.1

(51) **LOC (13) Cl.** **28-03**

(52) **U.S. Cl.**
USPC **D24/215**

(58) **Field of Classification Search**
USPC D24/215, 200, 211, 212, 213, 214, 133, D24/107, 231, 184; D8/14.1, 61; D28/12, 13; D21/680, 682
CPC A61H 15/00; A61H 2015/0007; A61H 2015/0042; A61H 15/0092; A61H 15/0078; A61H 15/0085; A61H 23/00; A61H 23/006; A61H 2023/002; A61H 23/02; A61H 2201/0153; A61H 7/00; A61H 7/003; A61H 7/004; A61H 7/005; A61H 9/00; A61H 2205/06
See application file for complete search history.

(56) **References Cited**

U.S. PATENT DOCUMENTS

D811,019 S * 2/2018 Alton D21/681
D844,718 S * 4/2019 Buikema D21/682
D866,790 S * 11/2019 Lee D24/215
D872,869 S * 1/2020 Lu D24/215

D877,351 S * 3/2020 Wersland D24/215
D877,824 S * 3/2020 Chiang D21/680
D879,985 S * 3/2020 Wersland D24/214
D885,601 S * 5/2020 Wersland D24/215
D895,831 S * 9/2020 Chen D24/215
D896,396 S * 9/2020 Wersland D24/215
2020/0085675 A1* 3/2020 Lee A61H 1/00
2020/0261306 A1* 8/2020 Pepe A61H 23/006

OTHER PUBLICATIONS

Beloman—Muscle massage gun. Date: Not listed. [online]. [Site visited Apr. 12, 2022]. Available from Internet URL: <https://www.beloman.pro/store/products/beloman-muscle-massage-gun-16mm-deep-6-speeds-tissue-muscle-percussion-111b08ea-3a1b-4e6b-9303-135e356b4752> (Year: NA).*

(Continued)

Primary Examiner — Susan Bennett Hattan

Assistant Examiner — Landon Thomas Cassell

(74) *Attorney, Agent, or Firm* — Bayramoglu Law Offices LLC

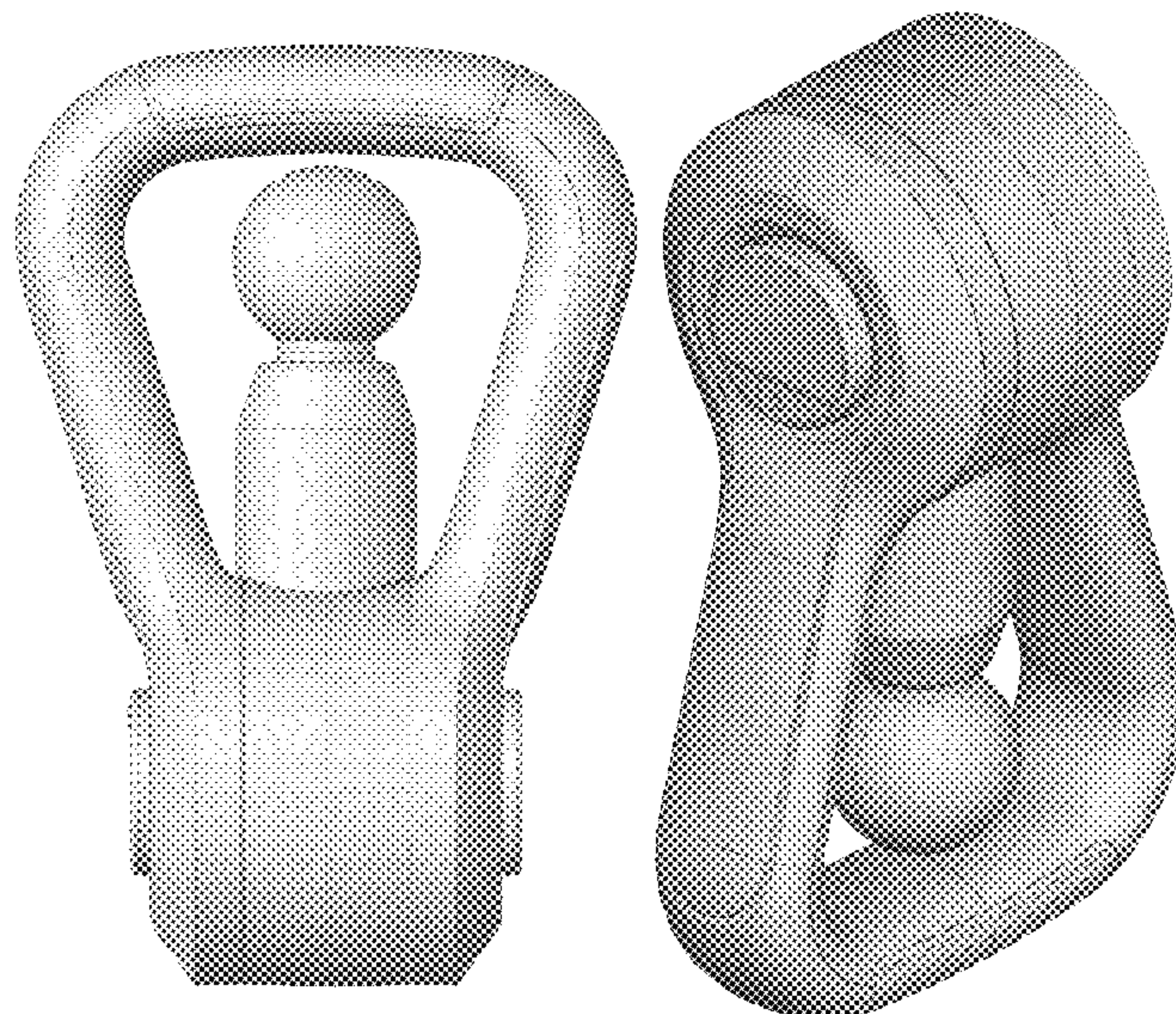
(57) **CLAIM**

The ornamental design for a massage gun, as shown and described.

DESCRIPTION

FIG. 1 is a front view of a massage gun showing my new design;
FIG. 2 is a rear view thereof;
FIG. 3 is a left side view thereof;
FIG. 4 is a right side view thereof;
FIG. 5 is a top plan view thereof;
FIG. 6 is a bottom plan view thereof;
FIG. 7 is a perspective view thereof;
FIG. 8 is another perspective view thereof showing a massage head at a position of 90 degree angle; and,
FIG. 9 is another perspective view thereof showing the massage head at a position of 180 degree angle.

1 Claim, 9 Drawing Sheets



(56)

References Cited

OTHER PUBLICATIONS

Message Guns. (Design—© Questel) orbit.com. [Online PDF compilation of references] 16 pgs. Print Dates Range Mar. 10, 2020-Sep. 25, 2020 [Retrieved Apr. 12, 2022] <https://www.orbit.com/export/UCZAH96B/pdf4/55b8baf7-8a1d-4851-abe8-ac145393bff0-225142.pdf> (Year: 2022).*

* cited by examiner

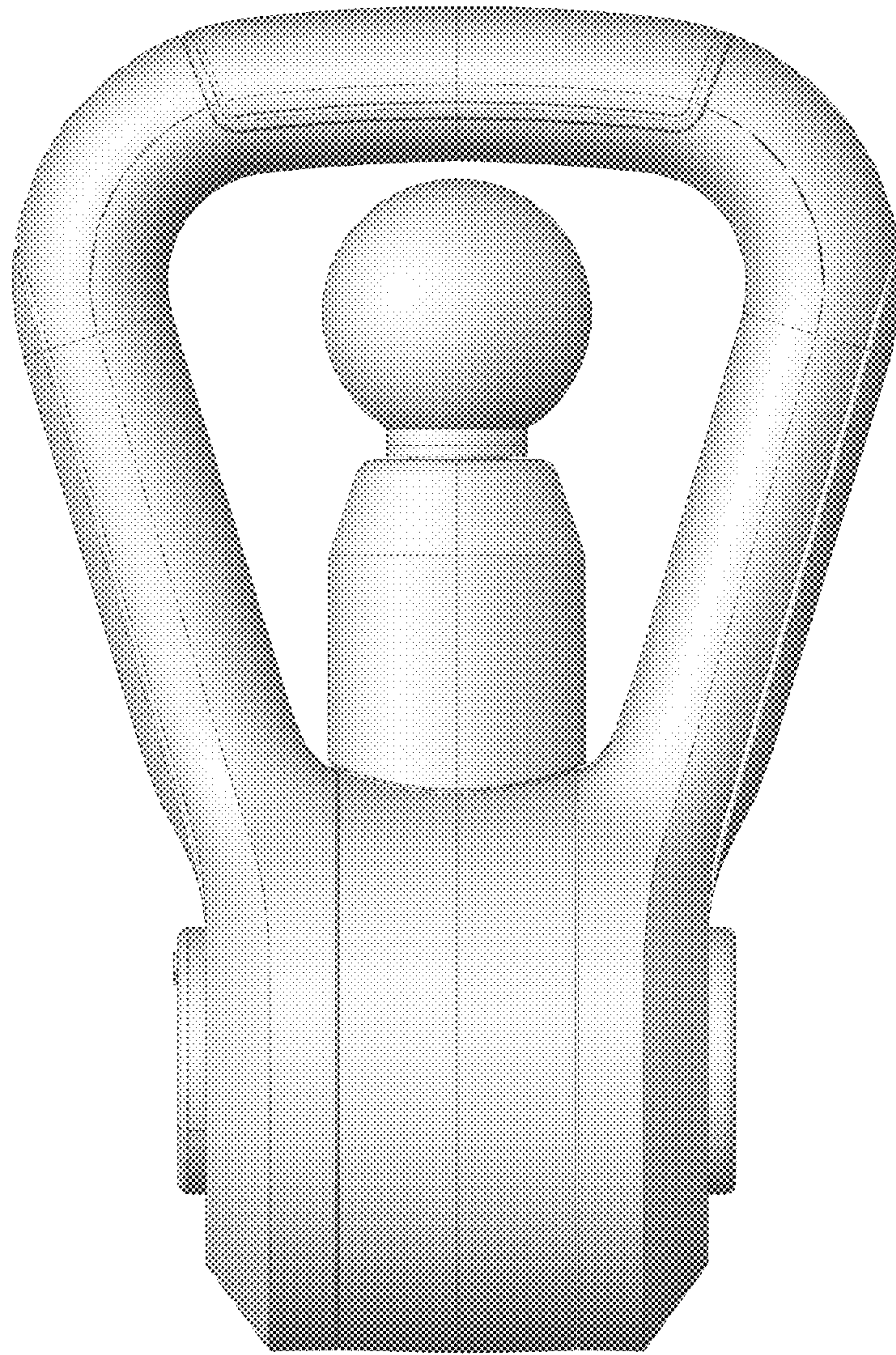


FIG. 1

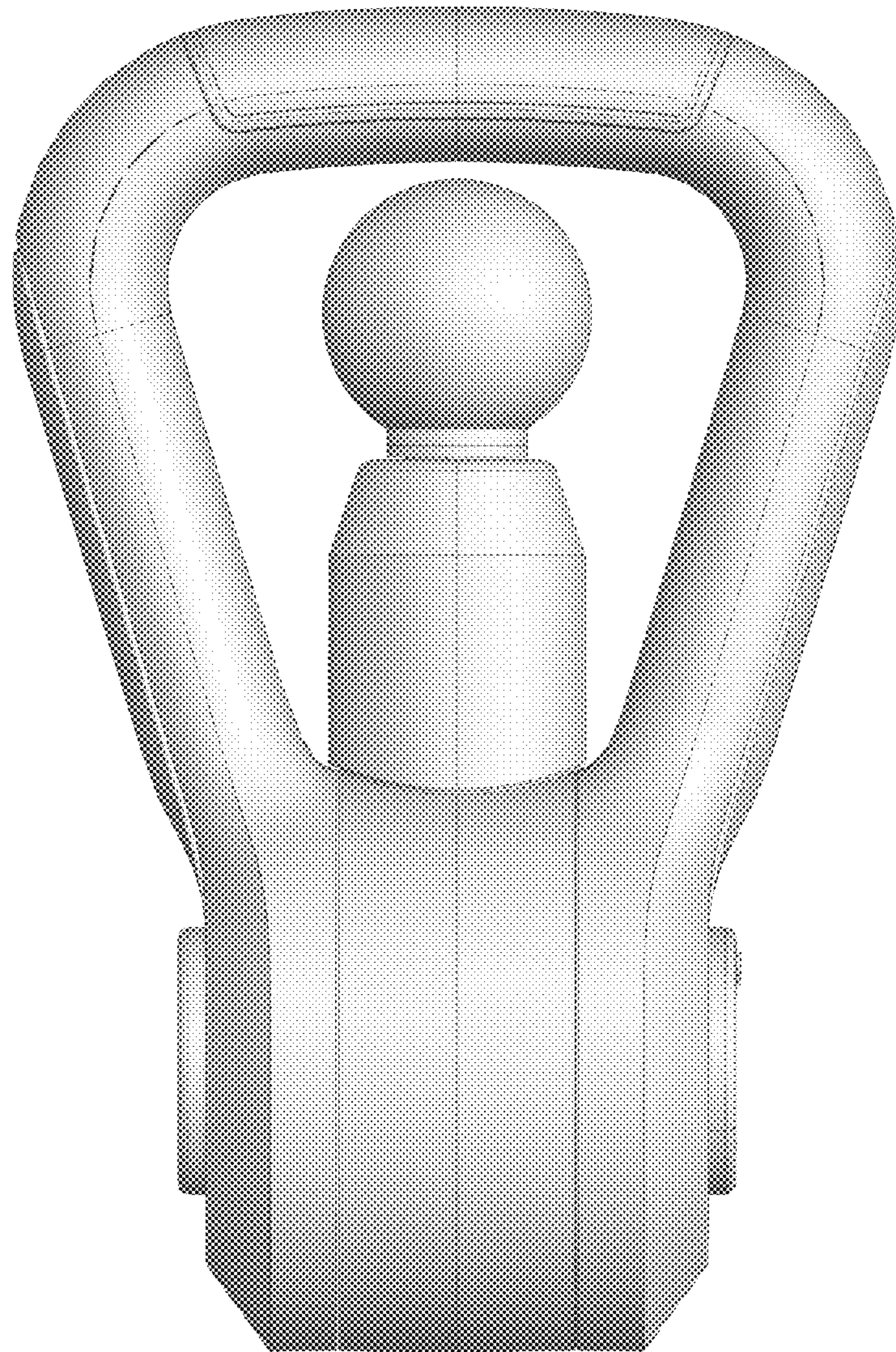


FIG. 2

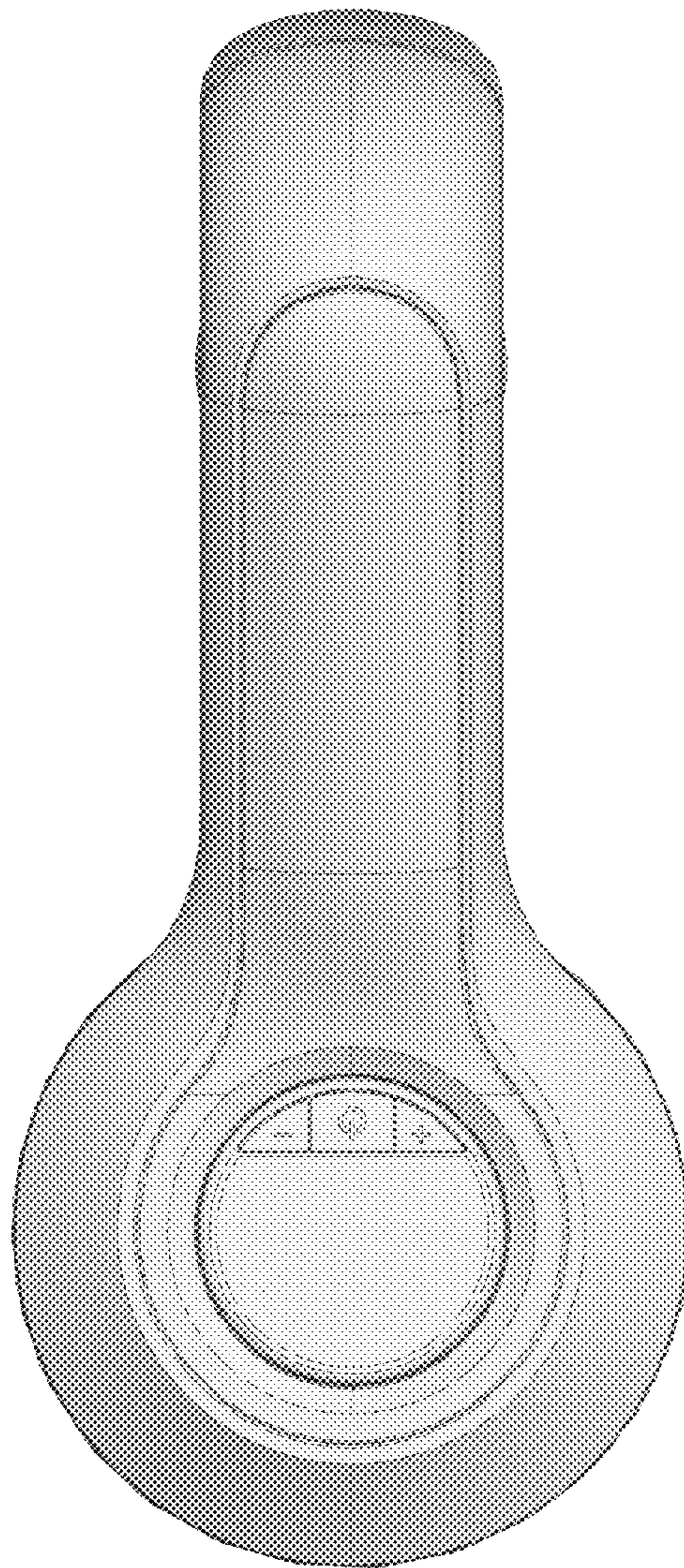


FIG. 3

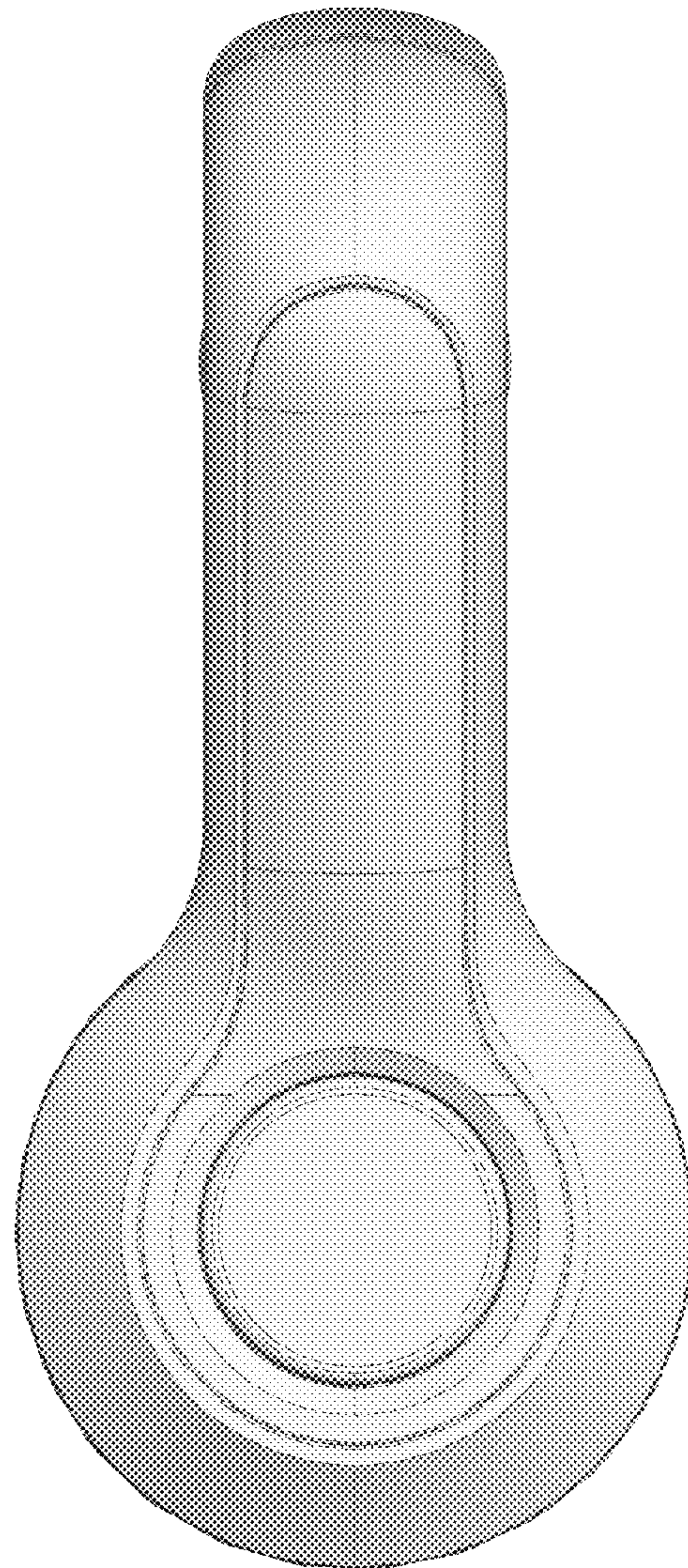


FIG. 4

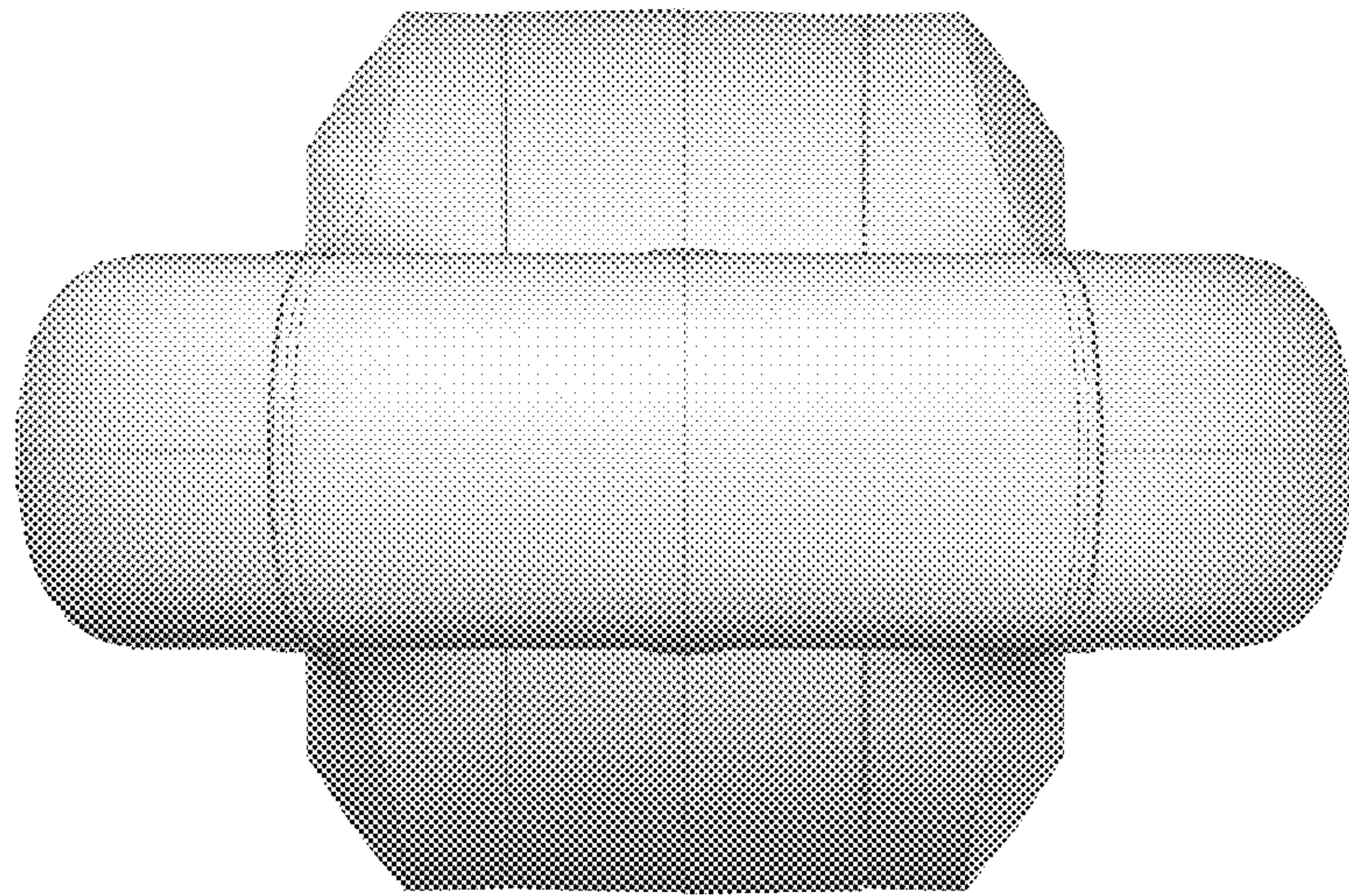


FIG. 5

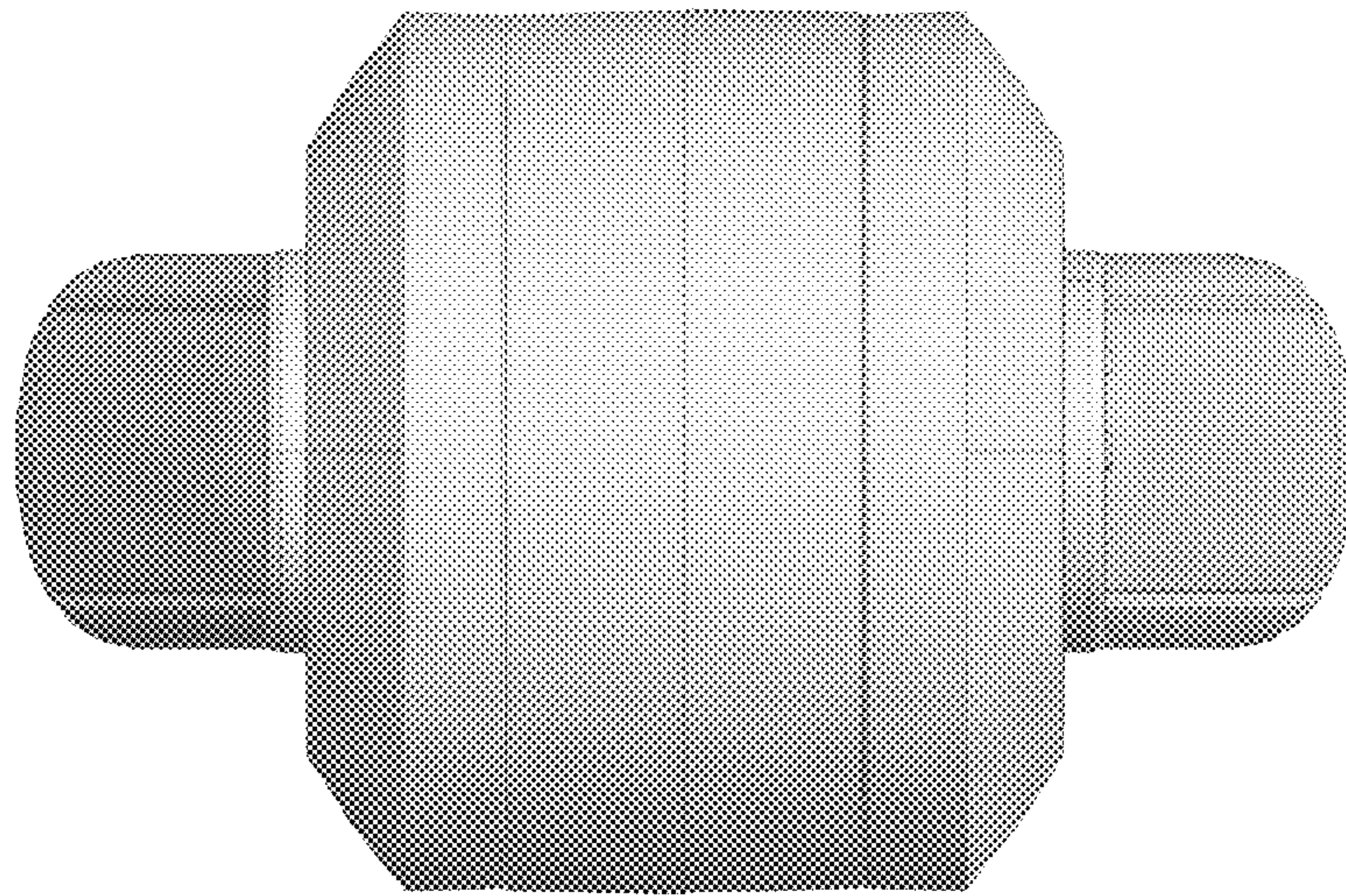


FIG. 6

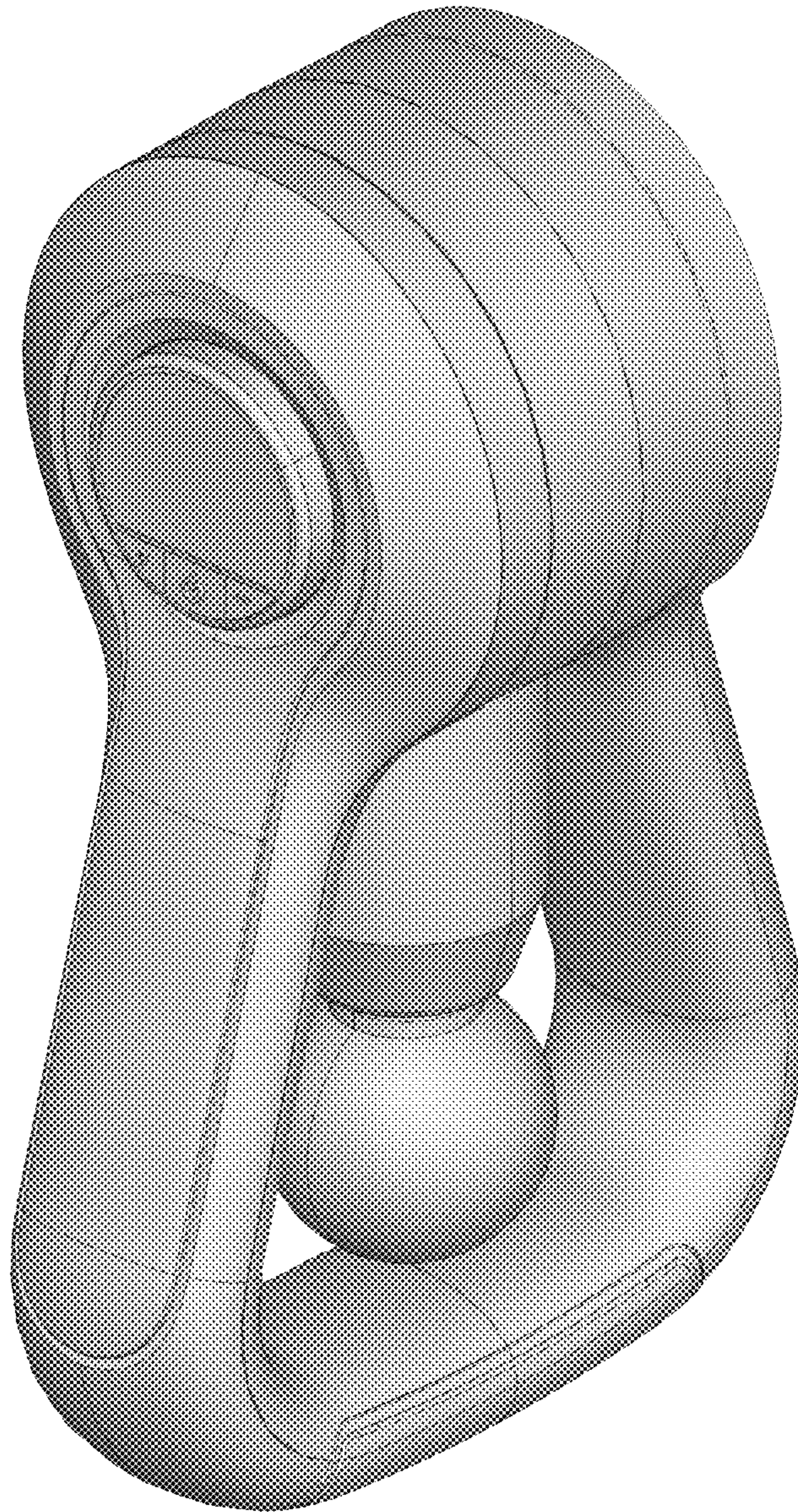


FIG. 7

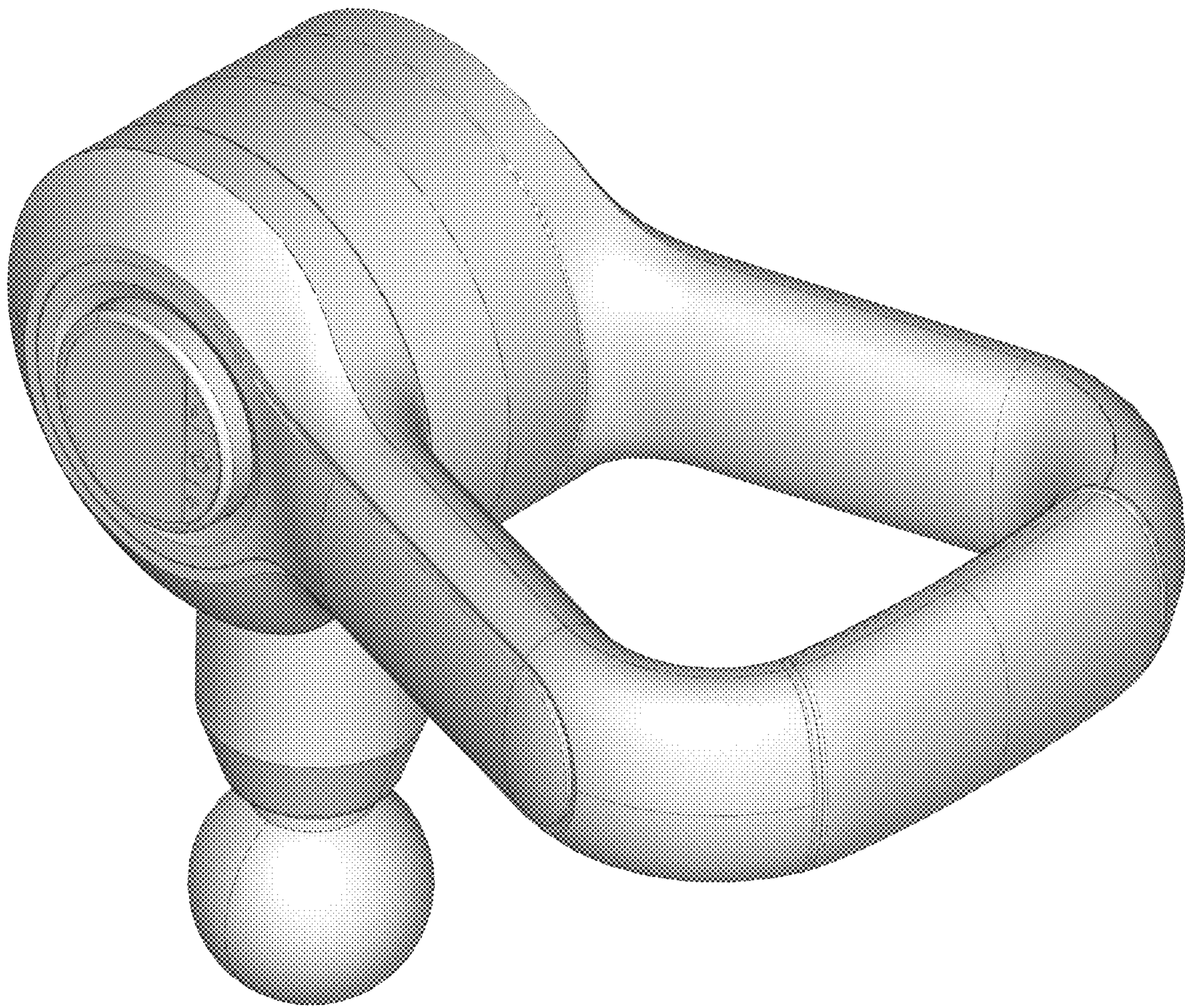


FIG. 8

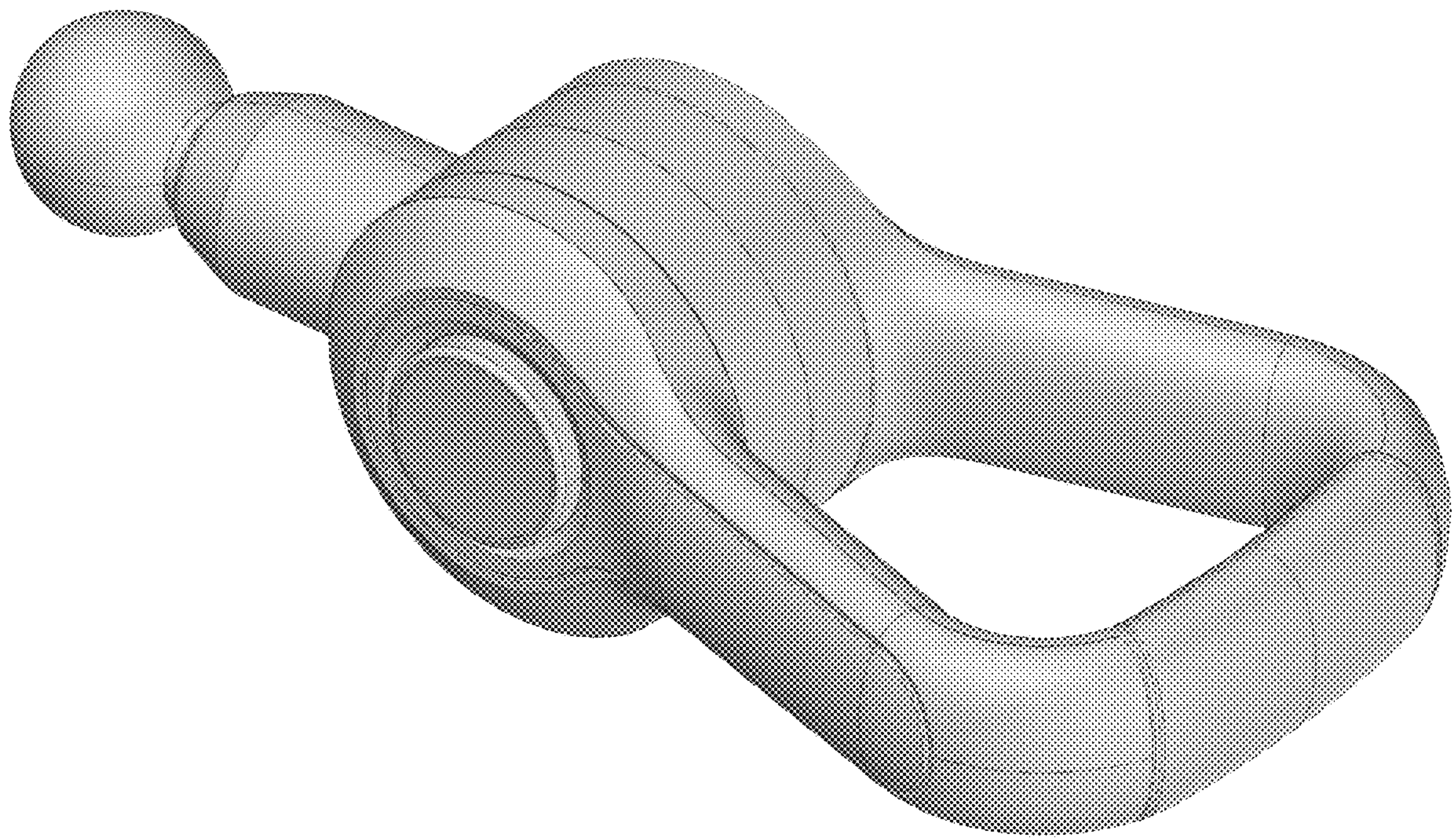


FIG. 9