



US00D967449S

(12) **United States Design Patent** (10) **Patent No.:** **US D967,449 S**
Sun (45) **Date of Patent:** **** Oct. 18, 2022**

(54) **ICE PAD FOR SHOULDER**

FOREIGN PATENT DOCUMENTS

(71) Applicant: **Yuyan Sun**, Changyi (CN)

CN 303667015 * 5/2016
CN 306592566 * 6/2021

(72) Inventor: **Yuyan Sun**, Changyi (CN)

(**) Term: **15 Years**

OTHER PUBLICATIONS

(21) Appl. No.: **29/831,207**

Magic Gel Shoulder Ice Pack, Amazon.com, date published Feb. 4, 2021, date retrieved Jul. 21, 2022-29831207-https://amzn.to/3PsEIZk (Year: 2021).*

(22) Filed: **Mar. 17, 2022**

(Continued)

(51) **LOC (13) Cl.** **24-01**

(52) **U.S. Cl.**

USPC **D24/206**

Primary Examiner — Jennifer L Rempfer
Assistant Examiner — Danielle Nichole Bowly

(58) **Field of Classification Search**

USPC D24/208, 200, 206, 189, 188; D3/901;
D13/103, 108

CPC A61H 2205/062; A61H 2201/1604; A61H
2201/165

(57) **CLAIM**

The ornamental design for an ice pad for shoulder, as shown and described.

See application file for complete search history.

DESCRIPTION

(56) **References Cited**

U.S. PATENT DOCUMENTS

D205,575 S * 8/1966 Cumming D24/189
4,385,950 A * 5/1983 Hubbard A61F 7/103
493/200
D325,089 S * 3/1992 Shaw D24/207
5,133,348 A * 7/1992 Mayn A61F 7/10
607/108
D337,826 S * 7/1993 Iverson D24/206
D347,281 S * 5/1994 Cohen D24/206
D402,418 S * 12/1998 Mibus D24/189
D403,778 S * 1/1999 Davis D24/191
D428,153 S * 7/2000 Davis D24/190
6,361,553 B1 * 3/2002 Bowen A61F 7/103
607/108
D527,108 S * 8/2006 Krahner D24/206
D598,555 S * 8/2009 Chen D24/190
D668,345 S * 10/2012 Baumwald D24/206
D679,823 S * 4/2013 Daniels D24/206
D712,051 S * 8/2014 Hesse D24/200
D728,810 S * 5/2015 Baumwald D24/206

FIG. 1 is a perspective view of an ice pad for shoulder showing my new design;

FIG. 2 is another perspective view thereof;

FIG. 3 is a front elevational view thereof;

FIG. 4 is a rear elevational view thereof;

FIG. 5 is a left side elevational view thereof;

FIG. 6 is a right side elevational view thereof;

FIG. 7 is a top plan view thereof;

FIG. 8 is a bottom plan view thereof;

FIG. 9 is a perspective view of the ice pad for shoulder where the ice pad for shoulder is in a configuration of use;

FIG. 10 is an enlarged view of portion 10 shown in FIG. 1; and,

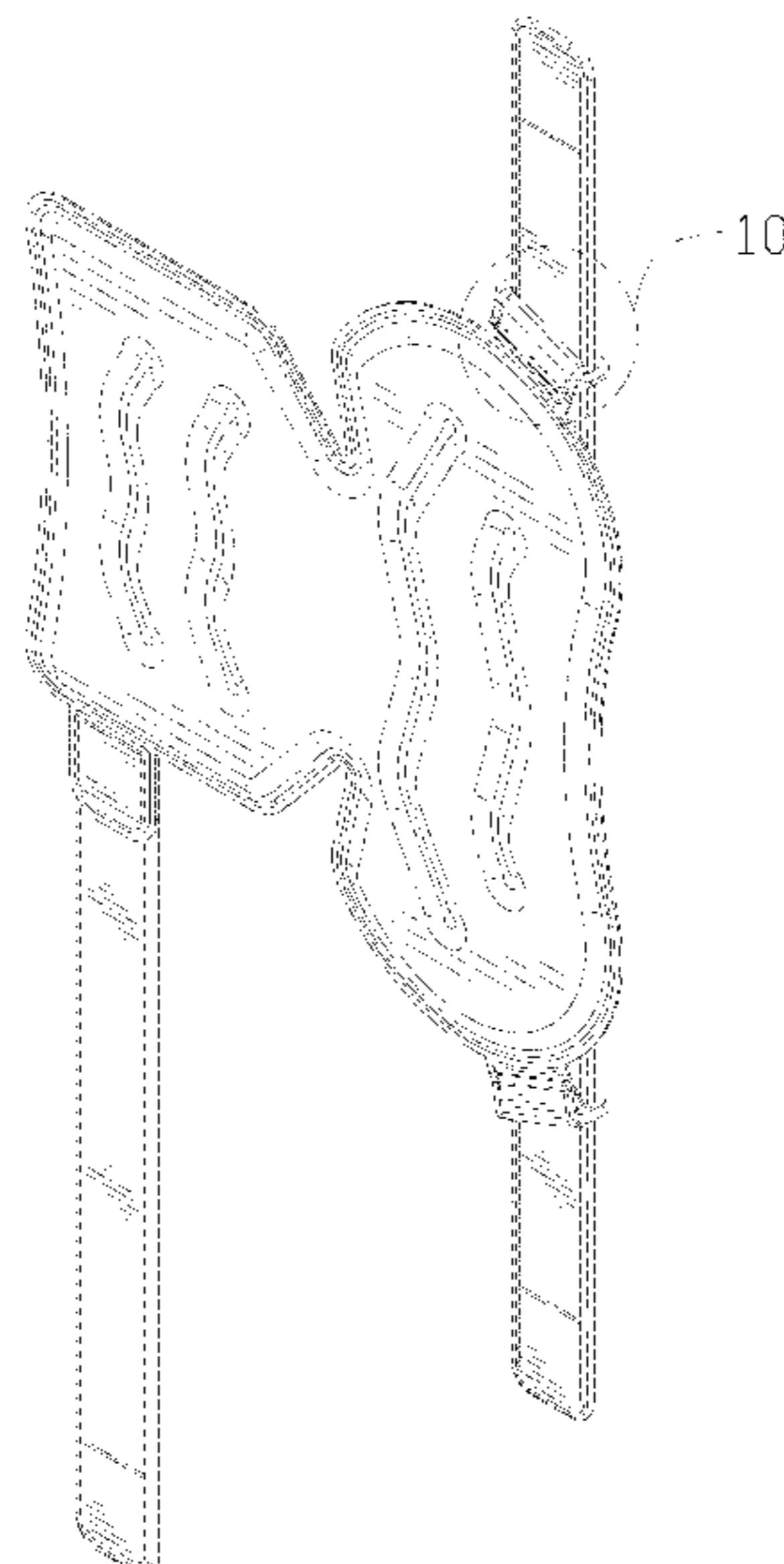
FIG. 11 is an enlarged view of portion 11 shown in FIG. 7.

The broken lines in the drawings depict environment of the ice pad for shoulder that form no part of the claimed design.

The dash-dot lines represent the bounds of the detail view and form no part of the claimed design.

(Continued)

1 Claim, 11 Drawing Sheets



(56)

References Cited

U.S. PATENT DOCUMENTS

D761,969 S * 7/2016 Rodriguez D24/207
D865,193 S * 10/2019 Matsushita D24/200
D865,194 S * 10/2019 Matsushita D24/200
D868,275 S * 11/2019 Weinstein A61F 7/02
D24/206
D877,346 S * 3/2020 Whitely D24/189
D912,097 S 3/2021 Morris
D923,805 S * 6/2021 Li D24/207
D925,748 S 7/2021 Clayborne et al.
D952,161 S * 5/2022 Xu D24/188

OTHER PUBLICATIONS

Relief Expert Shoulder Ice Pack, Amazon.com, date published Jul. 14, 2020, date retrieved Jul. 21, 2022-29831207-<https://amzn.to/3PH9Sfi> (Year: 2020).*

* cited by examiner

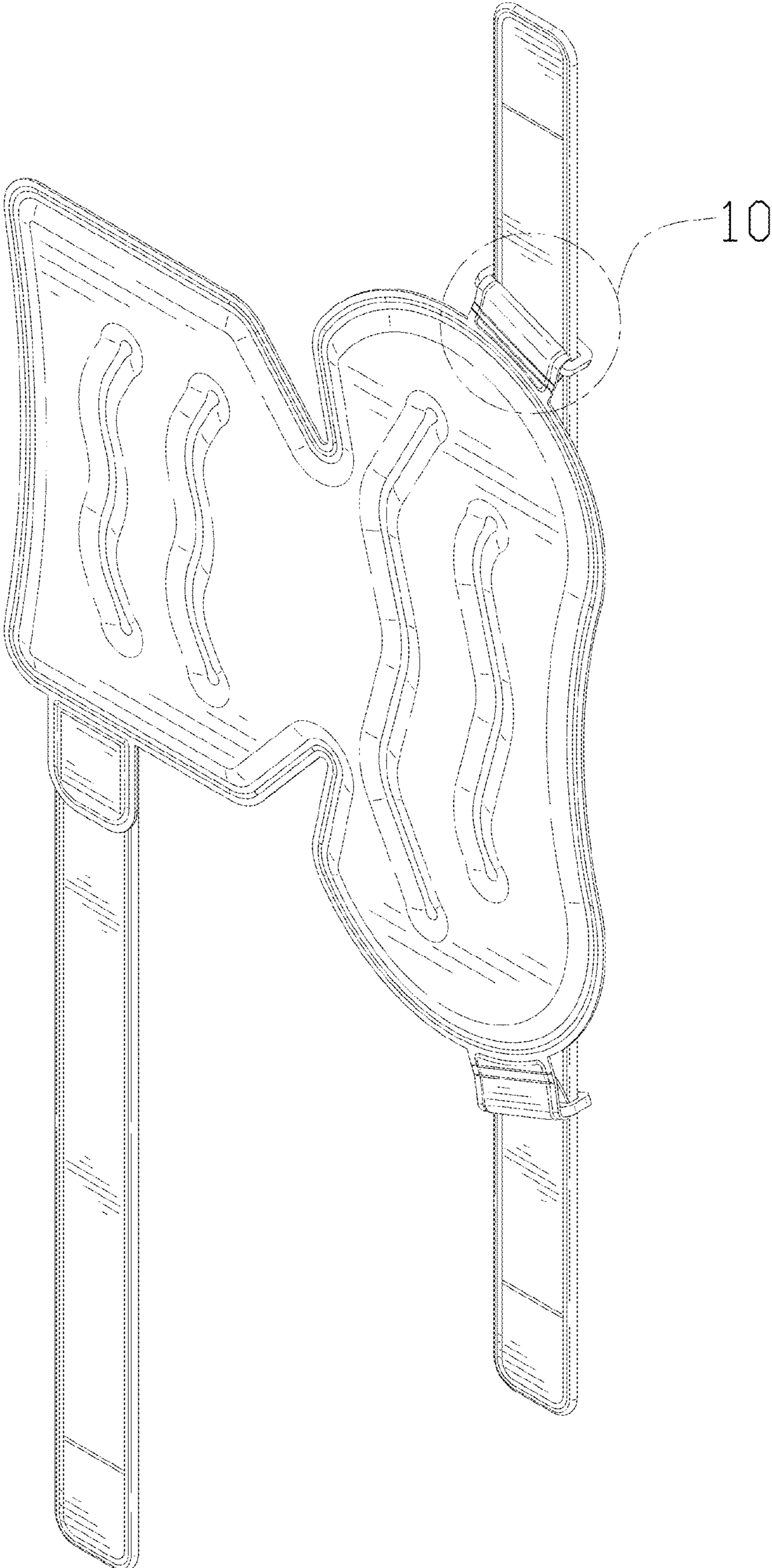


FIG. 1

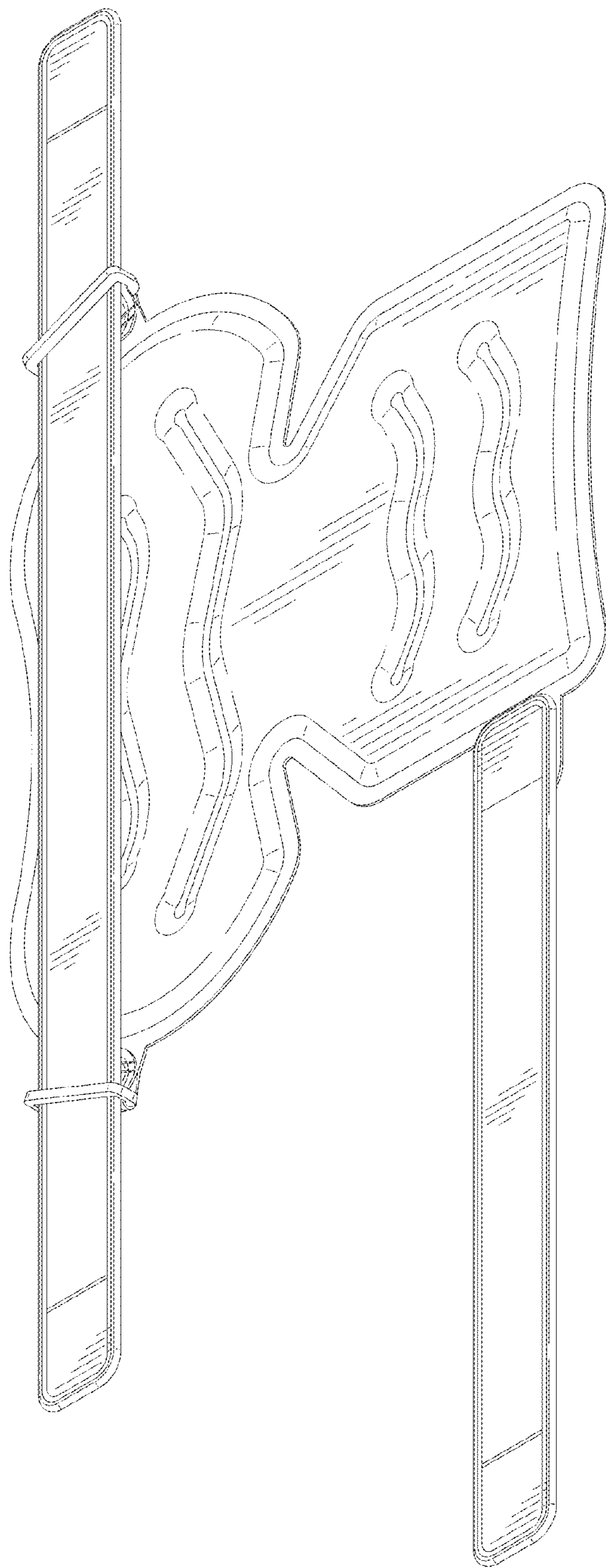


FIG. 2

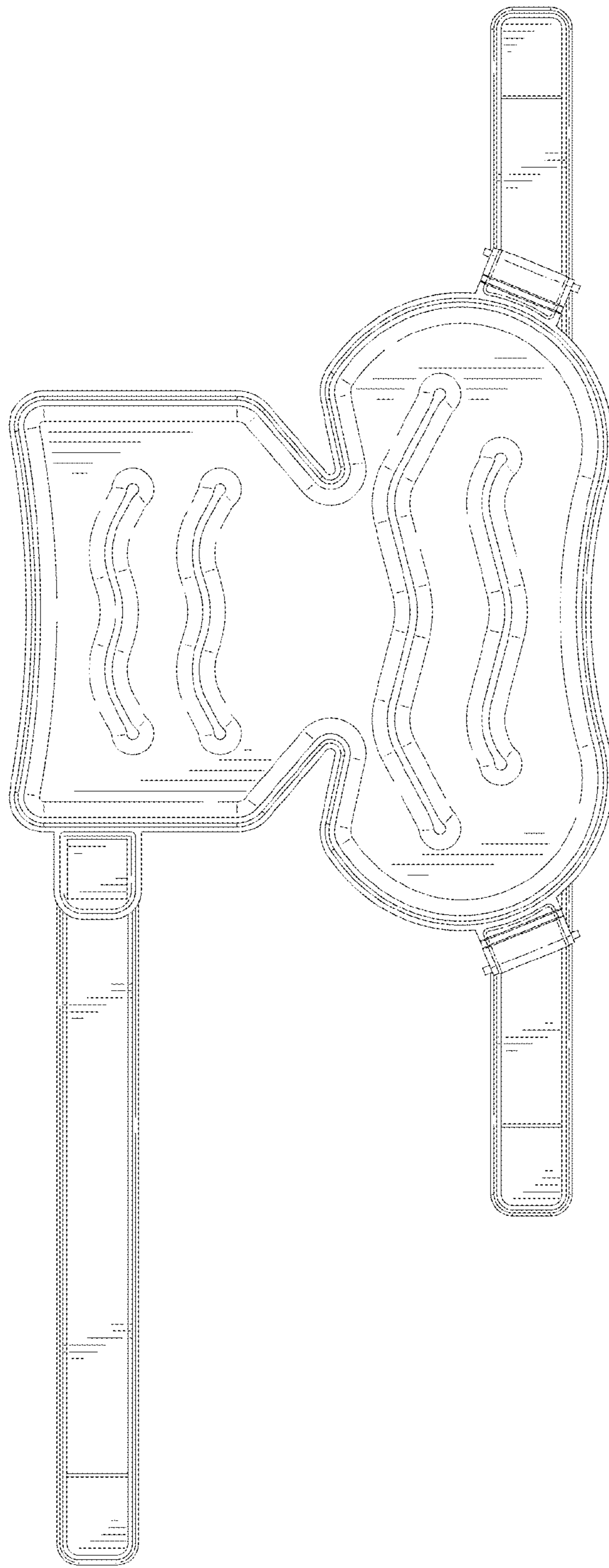


FIG. 3

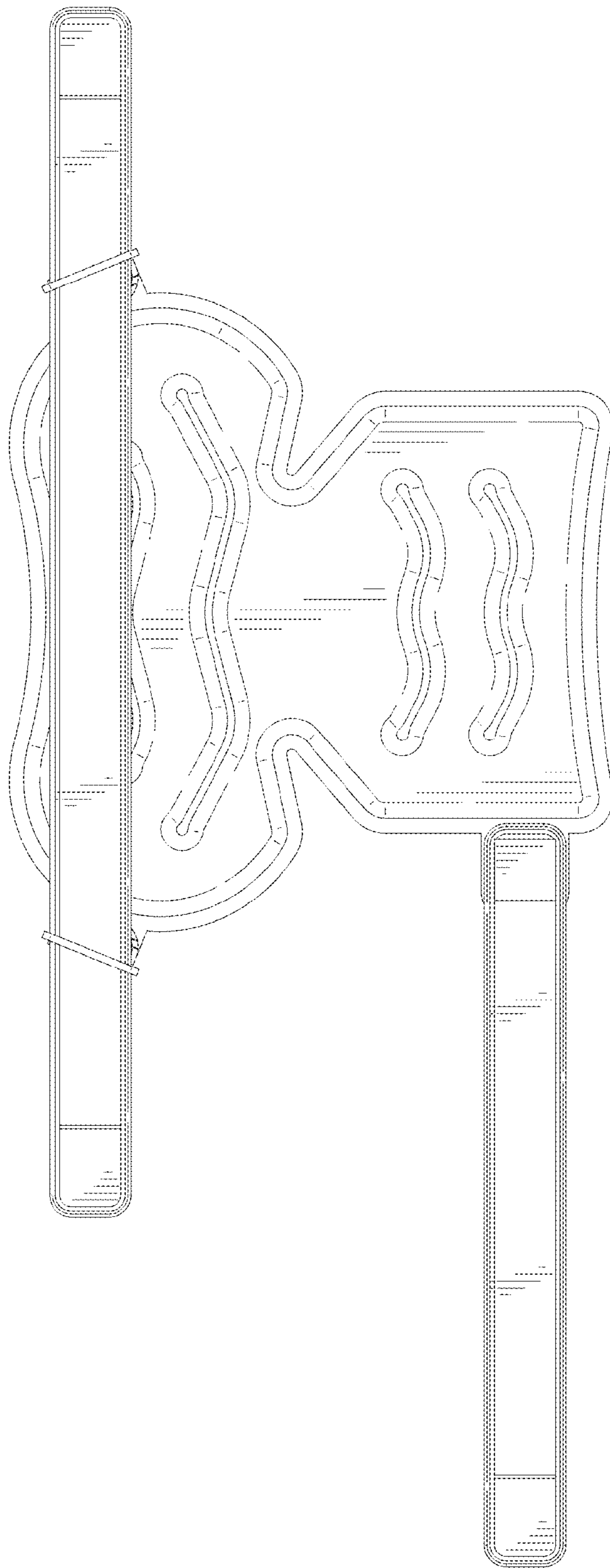


FIG. 4



FIG. 5



FIG. 6

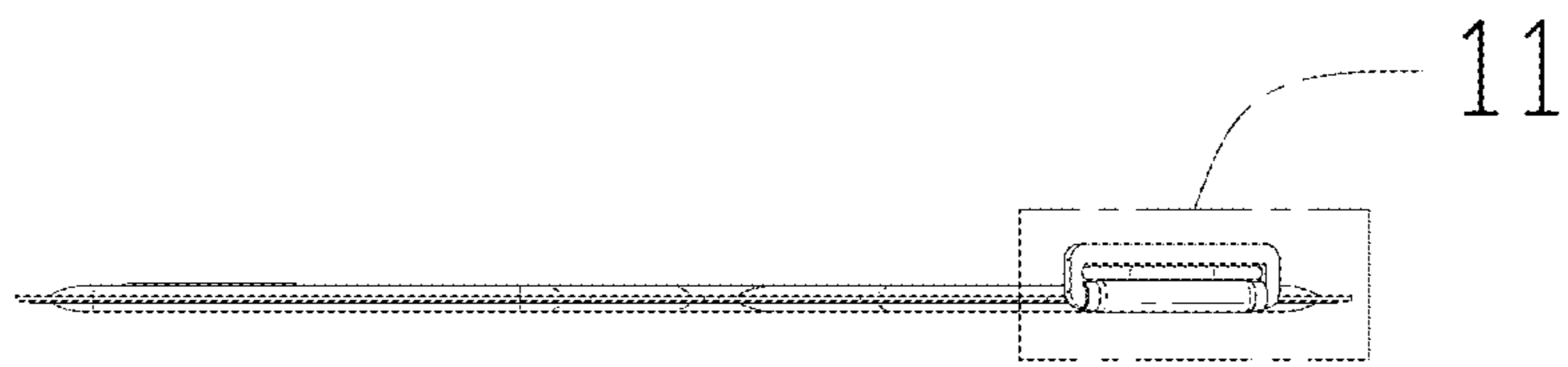


FIG. 7

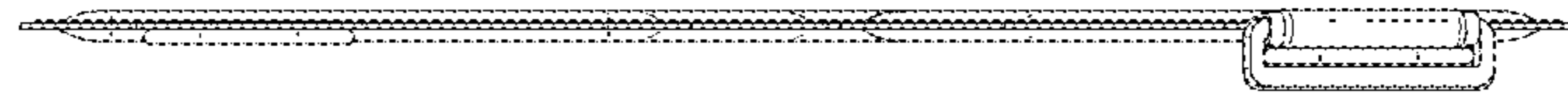


FIG. 8

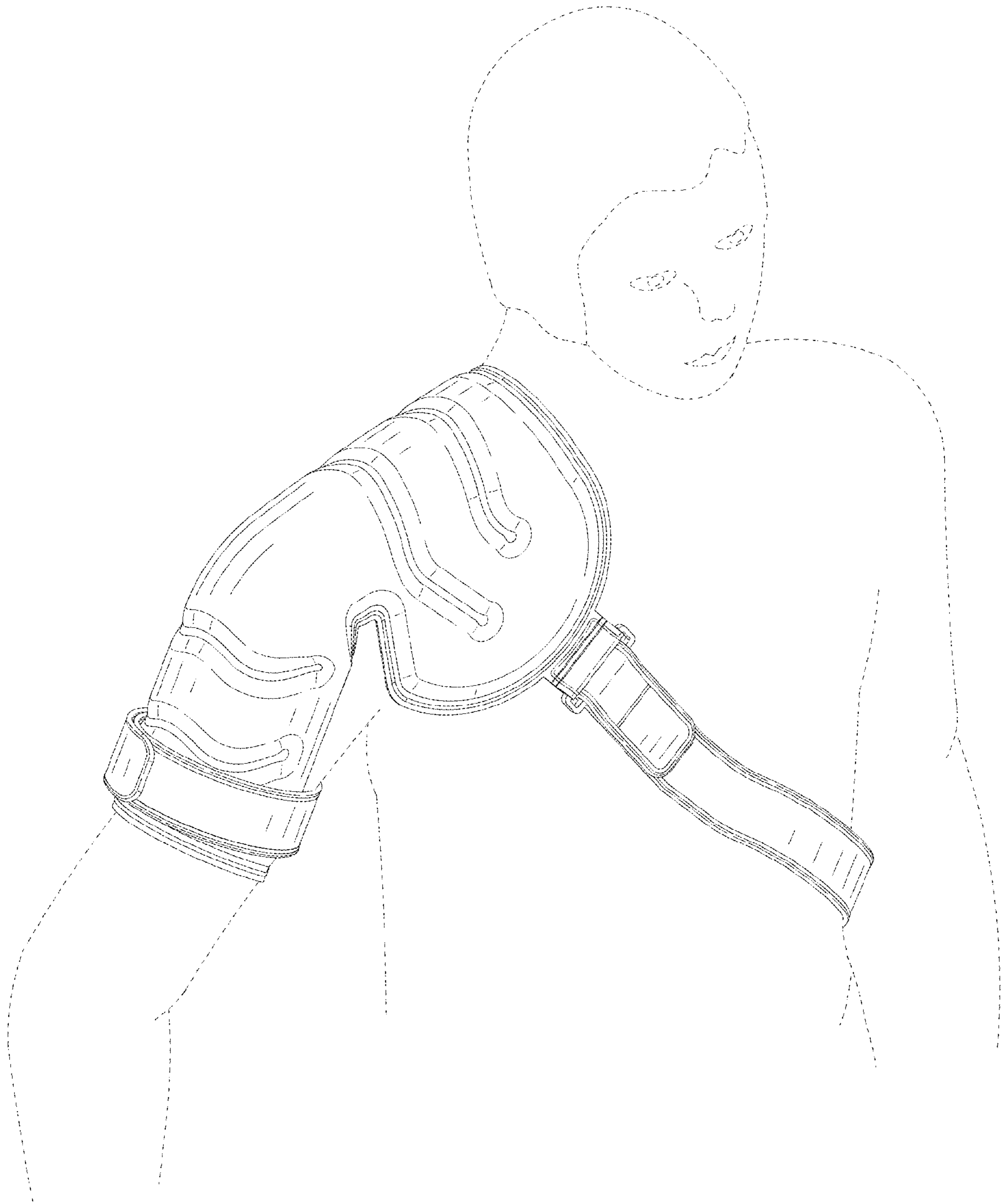


FIG. 9

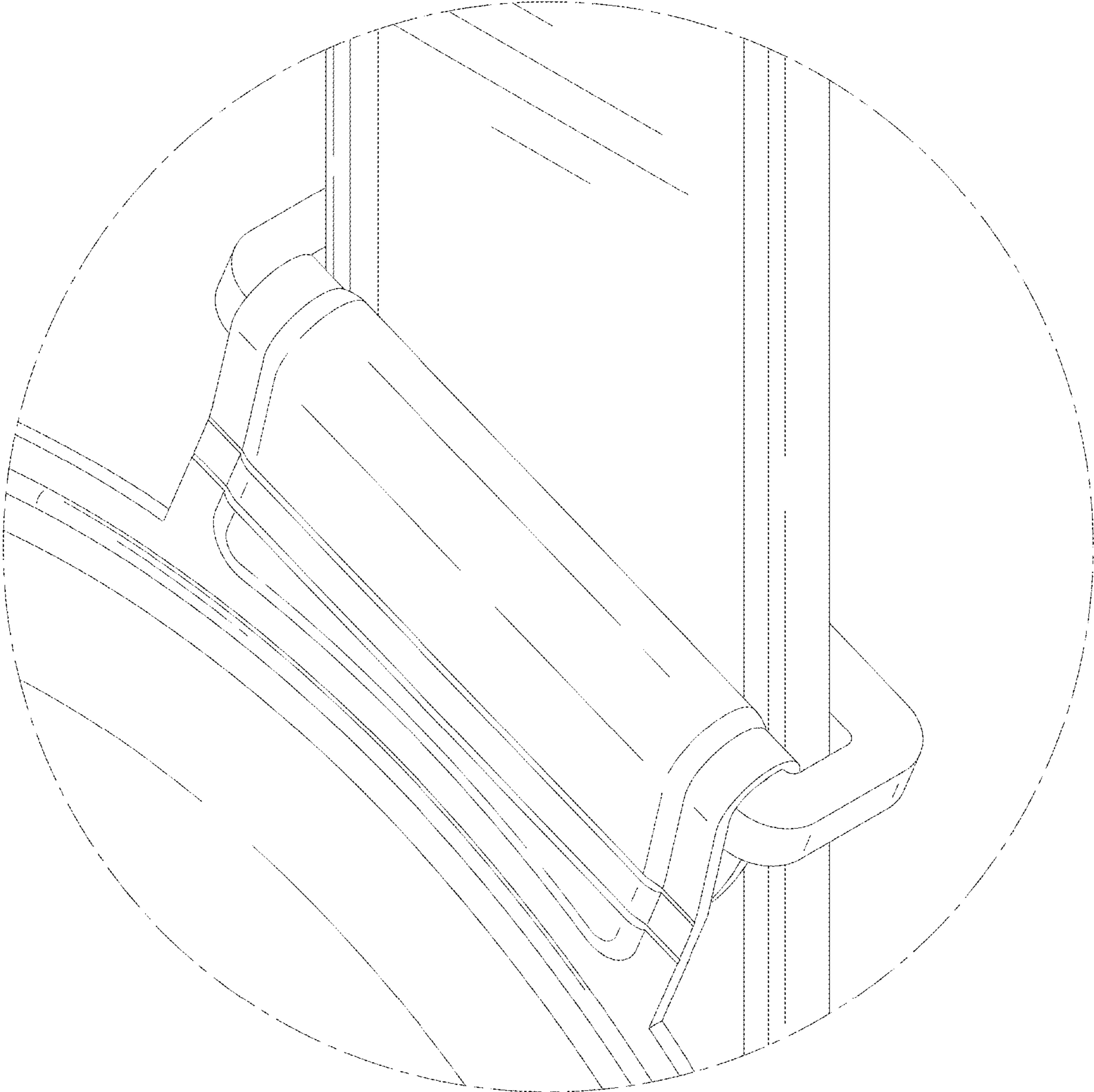


FIG. 10

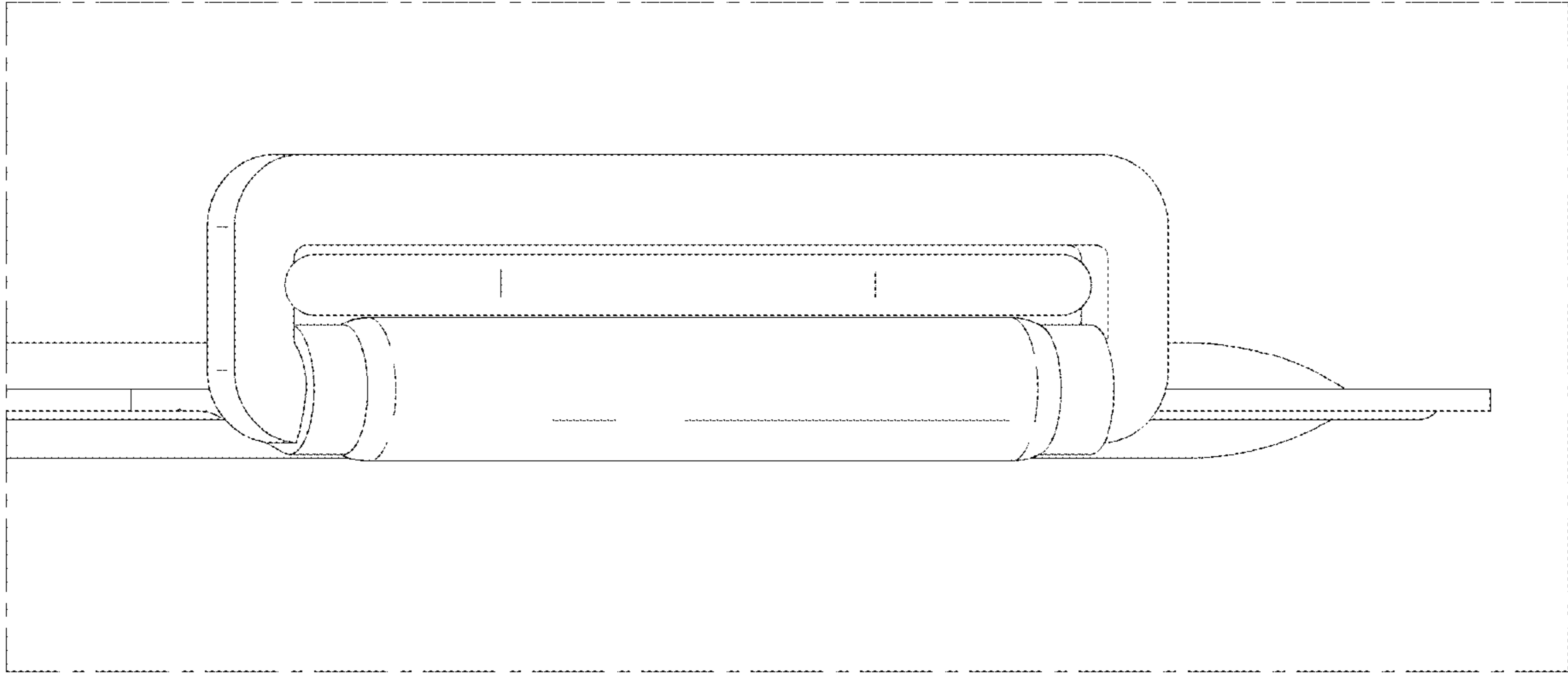


FIG. 11