



US00D967447S

(12) **United States Design Patent**  
**Hsu**

(10) **Patent No.:** **US D967,447 S**  
(45) **Date of Patent:** **\*\* Oct. 18, 2022**

- (54) **TENS DEVICE**
- (71) Applicant: **Raymond Hsu**, Shenzhen (CN)
- (72) Inventor: **Raymond Hsu**, Shenzhen (CN)
- (\*\*) Term: **15 Years**
- (21) Appl. No.: **29/727,413**
- (22) Filed: **Mar. 10, 2020**
- (51) **LOC (13) Cl.** ..... **24-01**
- (52) **U.S. Cl.**  
USPC ..... **D24/200**
- (58) **Field of Classification Search**  
USPC ..... D24/200, 214–215, 187; D14/216, 228,  
D14/203.6  
CPC .. A61N 1/36021; A61N 1/36; A61N 1/36014;  
A61N 1/36017; A61N 1/36057; A61N  
1/36071; A61N 1/36003; A61N 1/0404;  
A61N 1/0452; A61N 1/0456  
See application file for complete search history.

|                   |         |           |       |              |
|-------------------|---------|-----------|-------|--------------|
| 9,433,785 B2 *    | 9/2016  | Holding   | ..... | A61N 1/36021 |
| D802,779 S *      | 11/2017 | Inoue     | ..... | D24/200      |
| D810,952 S *      | 2/2018  | Hsu       | ..... | D24/200      |
| D855,193 S *      | 7/2019  | Levi      | ..... | D24/200      |
| D890,733 S *      | 7/2020  | Ostensen  | ..... | D14/228      |
| D932,034 S *      | 9/2021  | McDonough | ..... | D24/200      |
| 2020/0061381 A1 * | 2/2020  | Greiner   | ..... | A61N 1/36071 |

\* cited by examiner

*Primary Examiner* — Wan Laymon

(74) *Attorney, Agent, or Firm* — Alexander Chen, Esq.

(57) **CLAIM**

The ornamental design for a TENS device, as shown and described.

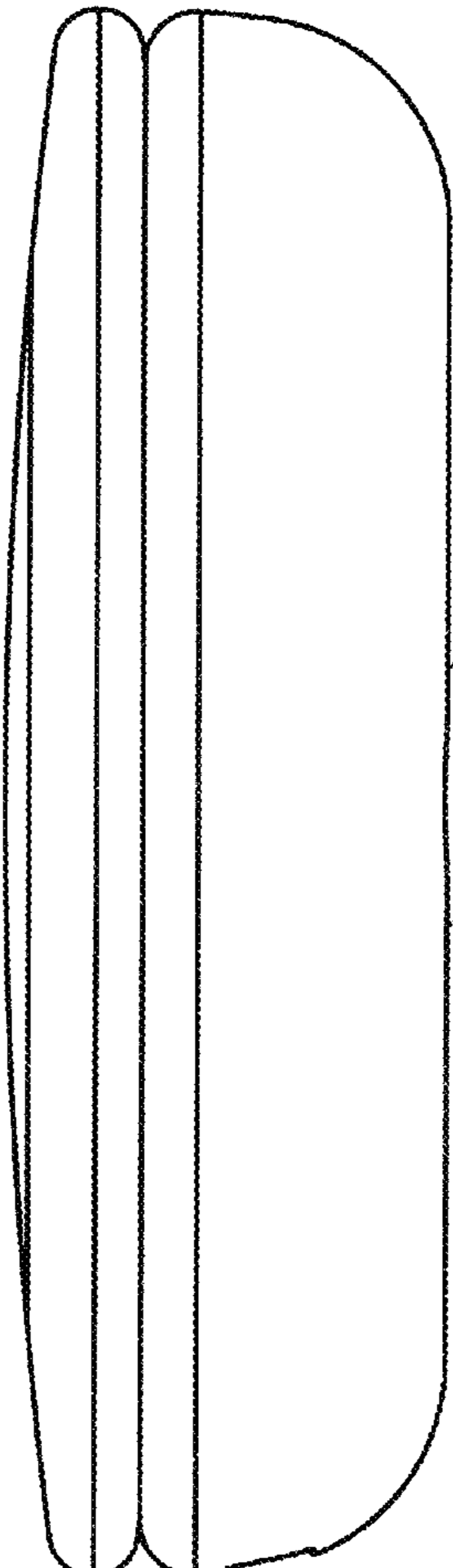
**DESCRIPTION**

FIG. 1 is a front view of a TENS device;  
 FIG. 2 is a left view thereof;  
 FIG. 3 is a right view thereof;  
 FIG. 4 is a back view thereof;  
 FIG. 5 is a bottom view thereof; and,  
 FIG. 6 is a top view thereof.  
 The broken lines in the drawings are included for the purpose of illustrating portions of the TENS device and form no part of the claimed design.

**1 Claim, 6 Drawing Sheets**

(56) **References Cited**  
 U.S. PATENT DOCUMENTS

|                |        |      |       |             |
|----------------|--------|------|-------|-------------|
| D759,257 S *   | 6/2016 | Chen | ..... | D24/200     |
| 9,415,217 B2 * | 8/2016 | Chen | ..... | A61N 1/0456 |



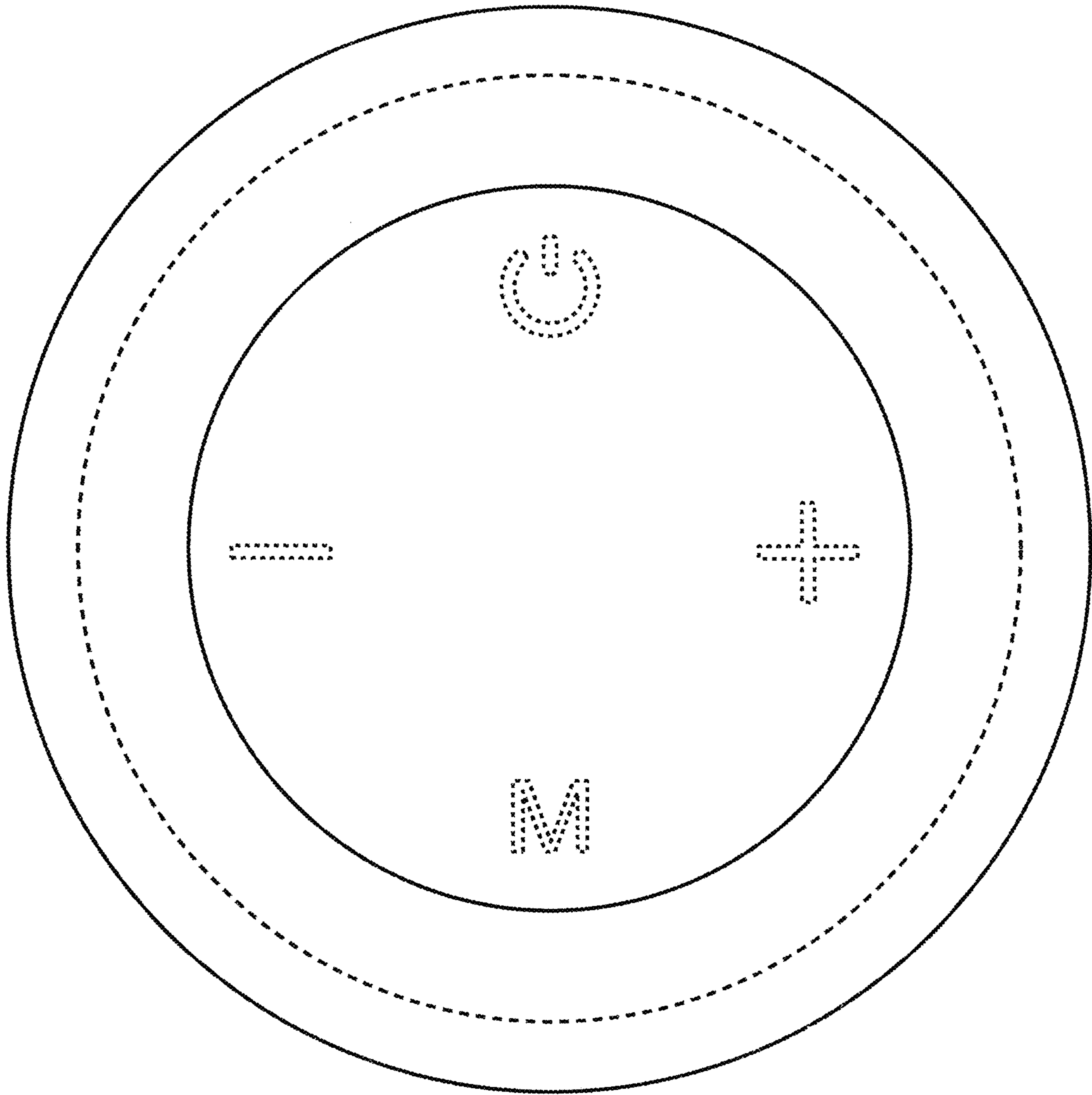


Fig. 1

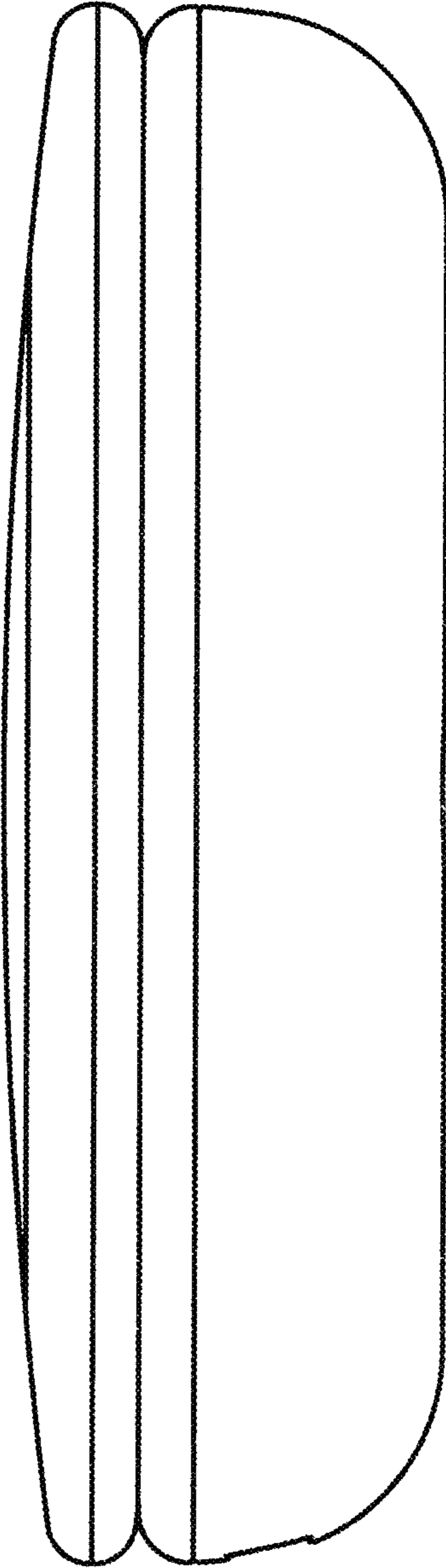


Fig. 2

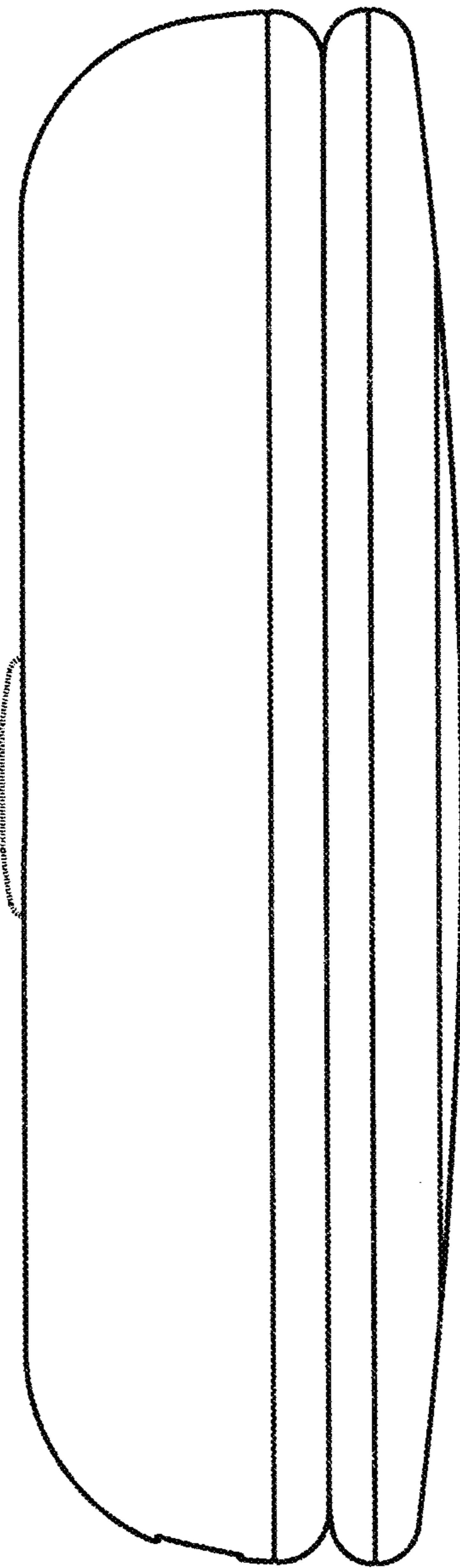


Fig. 3

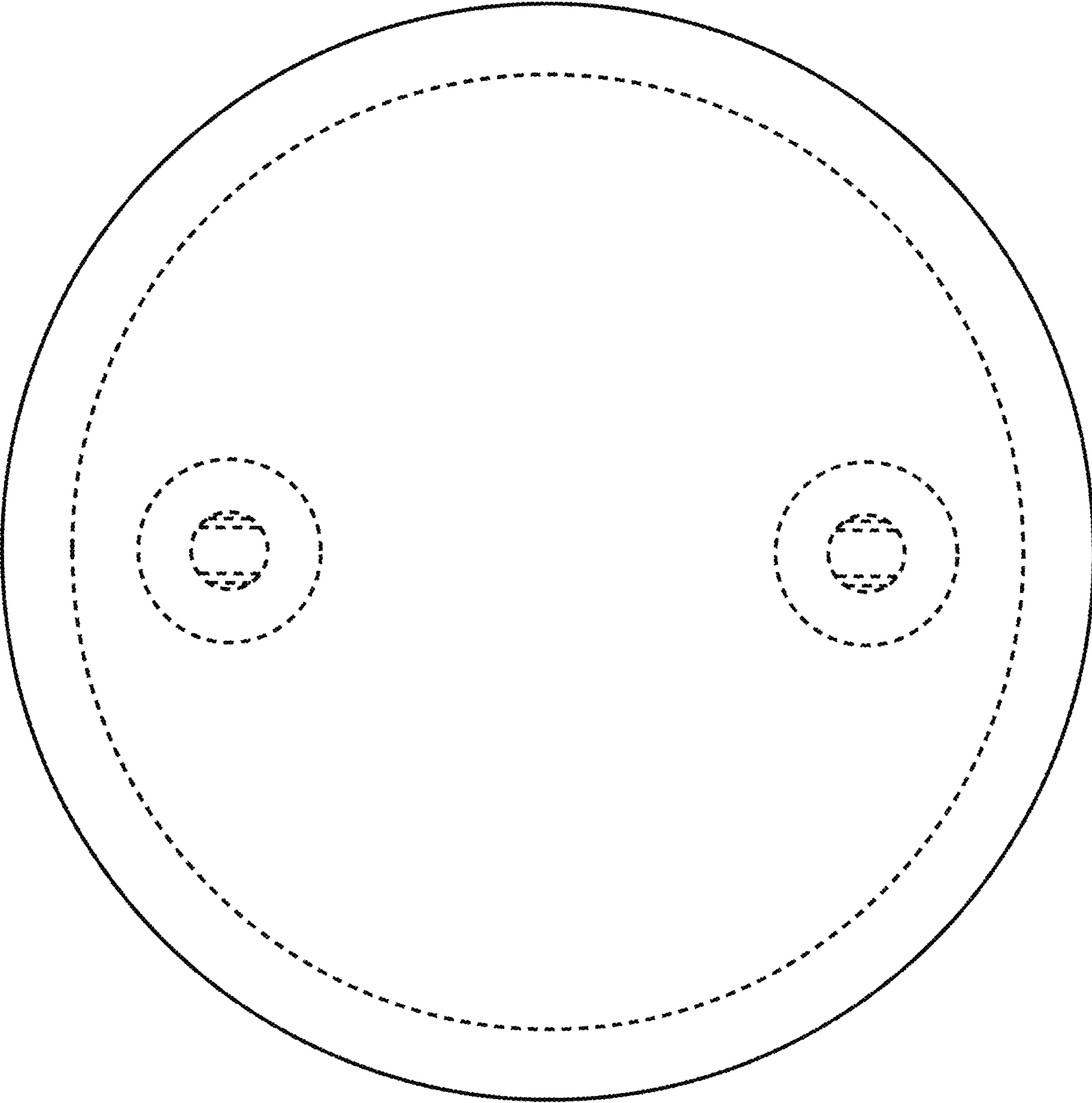


Fig. 4

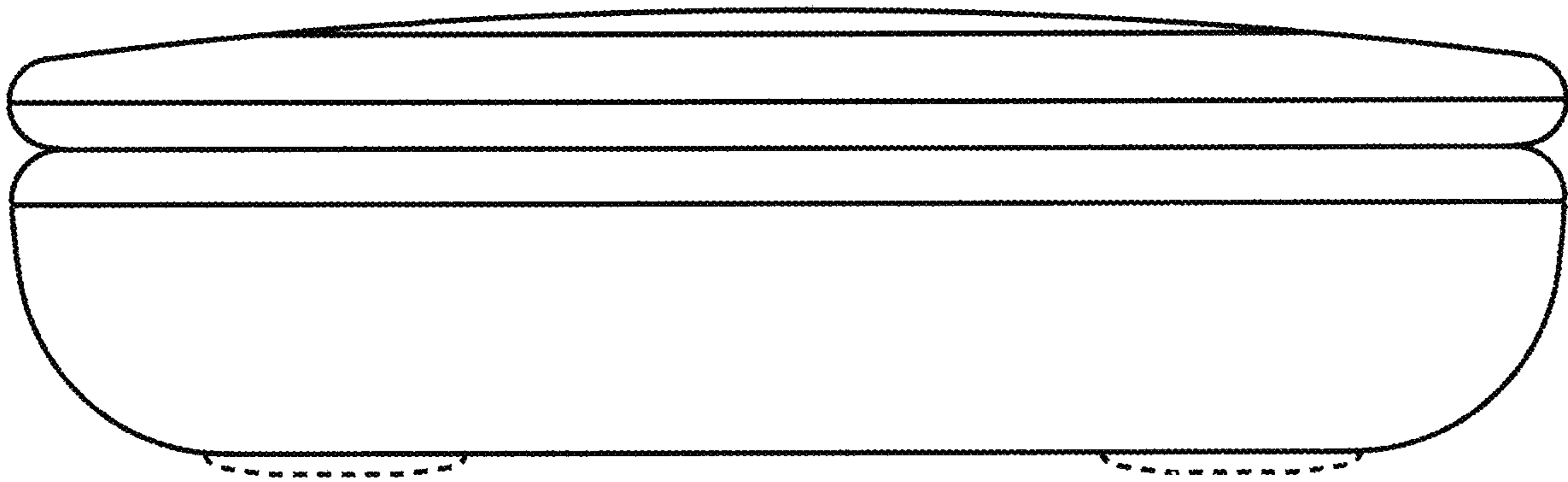


Fig. 5

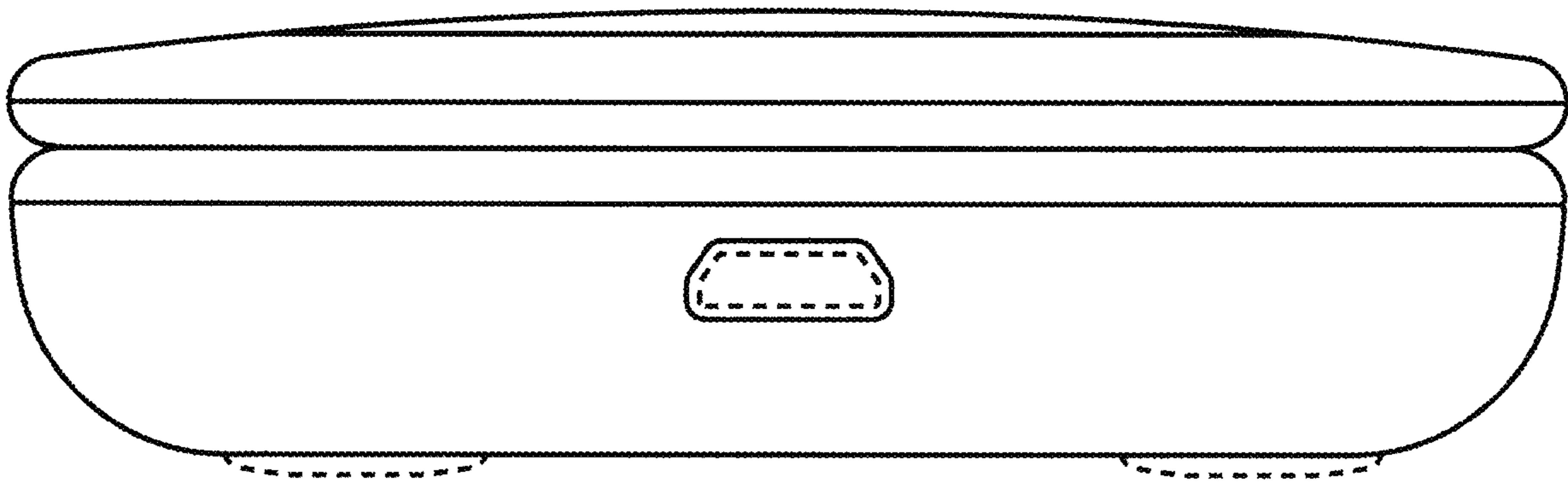


Fig. 6