



US00D967446S

(12) **United States Design Patent**
Hakim et al.

(10) **Patent No.:** **US D967,446 S**

(45) **Date of Patent:** **** Oct. 18, 2022**

(54) **PACIFIER**

(71) Applicants: **Nouri Edward Hakim**, Monroe, LA (US); **Jacob Max Sclare**, Monroe, LA (US)

(72) Inventors: **Nouri Edward Hakim**, Monroe, LA (US); **Jacob Max Sclare**, Monroe, LA (US)

(**) Term: **15 Years**

(21) Appl. No.: **29/706,155**

(22) Filed: **Sep. 18, 2019**

(51) **LOC (13) Cl.** **24-04**

(52) **U.S. Cl.**
USPC **D24/194**

(58) **Field of Classification Search**
USPC D24/194, 195, 196; D30/160
CPC A61J 17/001; A61J 11/00
See application file for complete search history.

(56) **References Cited**

U.S. PATENT DOCUMENTS

| | | | | |
|-------------------|---------|-----------------|-------|-------------------------|
| D346,865 S * | 5/1994 | Gregory | | D24/194 |
| D401,344 S * | 11/1998 | Bonds | | D24/197 |
| D616,557 S * | 5/2010 | Roehrig | | D24/196 |
| D655,015 S * | 2/2012 | Castro Barreras | | D24/194 |
| D739,539 S * | 9/2015 | Khachikian | | D24/195 |
| D748,811 S * | 2/2016 | Lee | | D24/194 |
| D861,895 S * | 10/2019 | Clores | | D24/196 |
| 2004/0220618 A1 * | 11/2004 | Rohrig | | A61J 11/0065 606/234 |
| 2005/0216060 A1 * | 9/2005 | McCarty | | A61J 17/001 606/236 |
| 2012/0053631 A1 * | 3/2012 | David A. | | A61J 17/113 606/234 |
| 2013/0331888 A1 * | 12/2013 | Antinnes | | A61J 17/001 606/236 |
| 2015/0051646 A1 * | 2/2015 | Chan | | A61J 17/02 606/236 |
| 2021/0169745 A1 * | 6/2021 | Hakim | | A61J 17/10 |

OTHER PUBLICATIONS

“NUK Orthostar Soft Orthodontic Pacifier”. Found online Aug. 31, 2015 at amazon.com. Reference dated Mar. 20, 2012. Retrieved from http://www.amazon.com/NUK-Orthostar-Orthodontic-Pacifiers-silicone/dp/B006VJM7AA/ref=cm_cr_pr_product_top?ie=UTF8.*

(Continued)

Primary Examiner — Kendra Leslie Hamilton

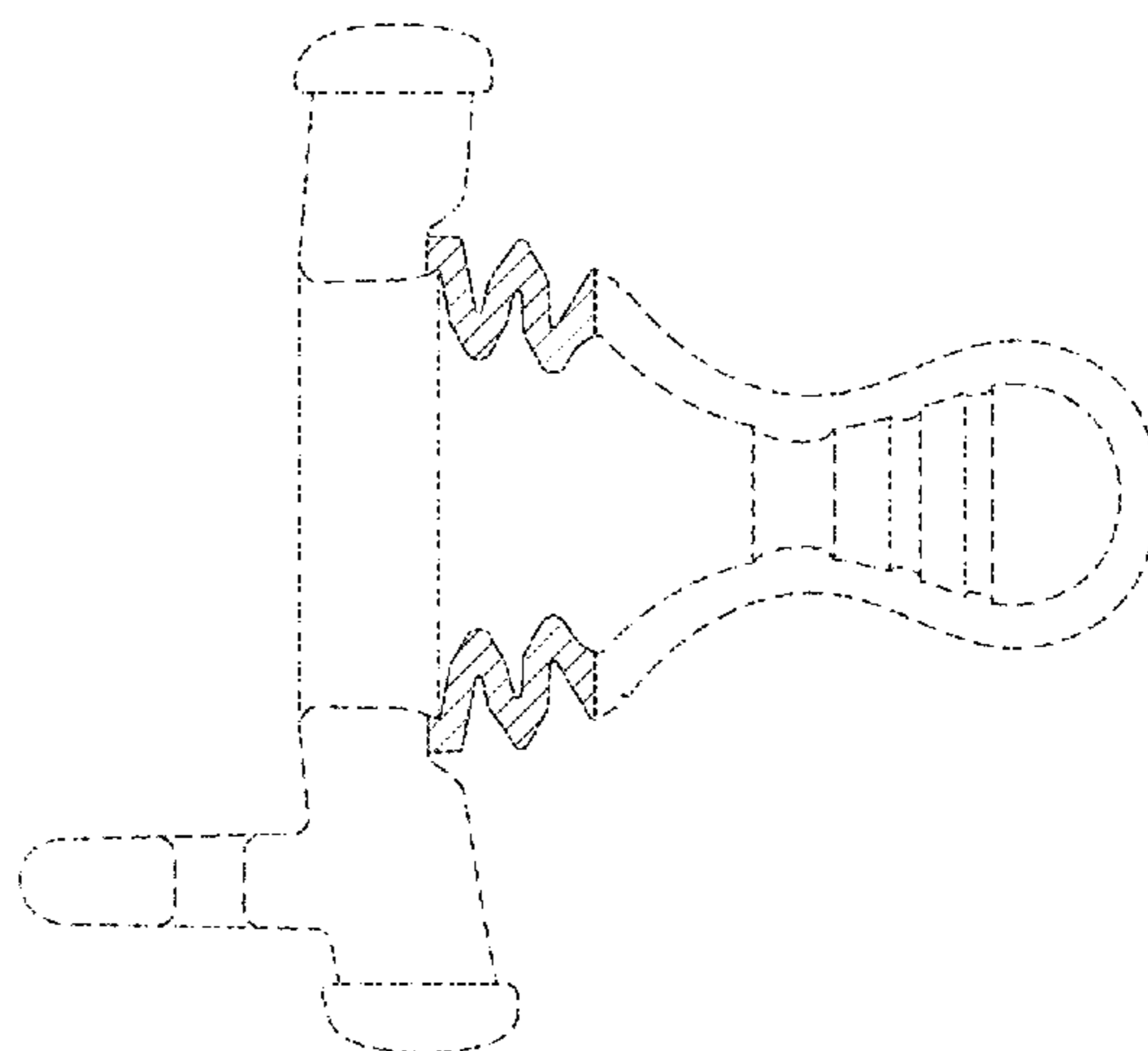
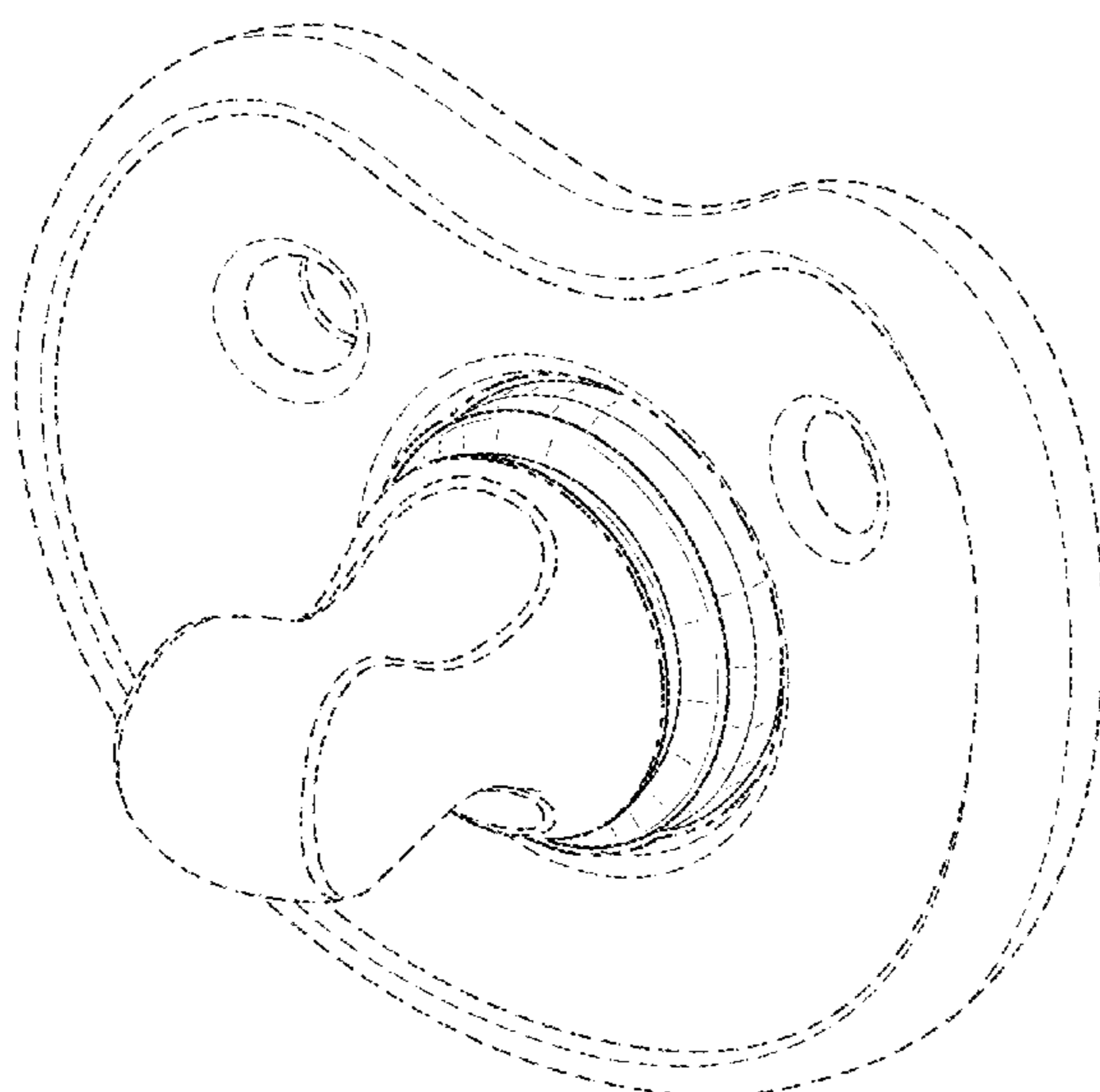
(57) **CLAIM**

The ornamental design for a pacifier, as shown and described.

DESCRIPTION

FIG. 1 is a bottom, front, right perspective view of a pacifier, showing our new design;
FIG. 2 is a bottom, rear, left perspective view thereof;
FIG. 3 is a front elevation view thereof;
FIG. 4 is a rear elevation view thereof;
FIG. 5 is a left elevation view thereof;
FIG. 6 is a right elevation view thereof;
FIG. 7 is a top plan view thereof;
FIG. 8 is a bottom plan view thereof;
FIG. 9 is a front elevation view thereof, showing cross-sectional indicators for FIGS. 10 and 11;
FIG. 10 is a cross-sectional elevation view of the pacifier, taken along the line 9-9 of FIG. 9; and,
FIG. 11 is a cross-sectional elevation view of the pacifier, taken along the line 10-10 of FIG. 9.
In the drawings, the equal-length broken lines depict portions of the pacifier that form no part of the claimed design. The dash-dot-dot-dash broken lines define the boundaries of the claimed design. All broken lines form no part of the claim.

1 Claim, 6 Drawing Sheets



(56)

References Cited

OTHER PUBLICATIONS

“Pampers Natural Stages Pacifiers Recalled”. Found online Dec. 6, 2016 at thesafestline.com. Page dated Jun. 13, 2011. Retrieved from <http://www.thesafestline.com/pampers-natural-stages-pacifiers-recalled/>.*

“Nutrivide: 3rd Gen nutrient storage pacifier”. Found online Jun. 4, 2020 at [facebook.com](https://www.facebook.com/Nutrivide/posts/165206364154688?_tn_=-R). Reference dated Apr. 24, 2018. Retrieved from https://www.facebook.com/Nutrivide/posts/165206364154688?_tn_=-R.*

“NUK: Silicone Orthodontic Nipples”. Found online May 9, 2018 at [amazon.in](https://www.amazon.in). Reference dated May 2, 2014. Retrieved from <https://www.amazon.in/NUK-Silicone-Orthodontic-Nipples-Medium/dp/B000LPURQG>.*

* cited by examiner

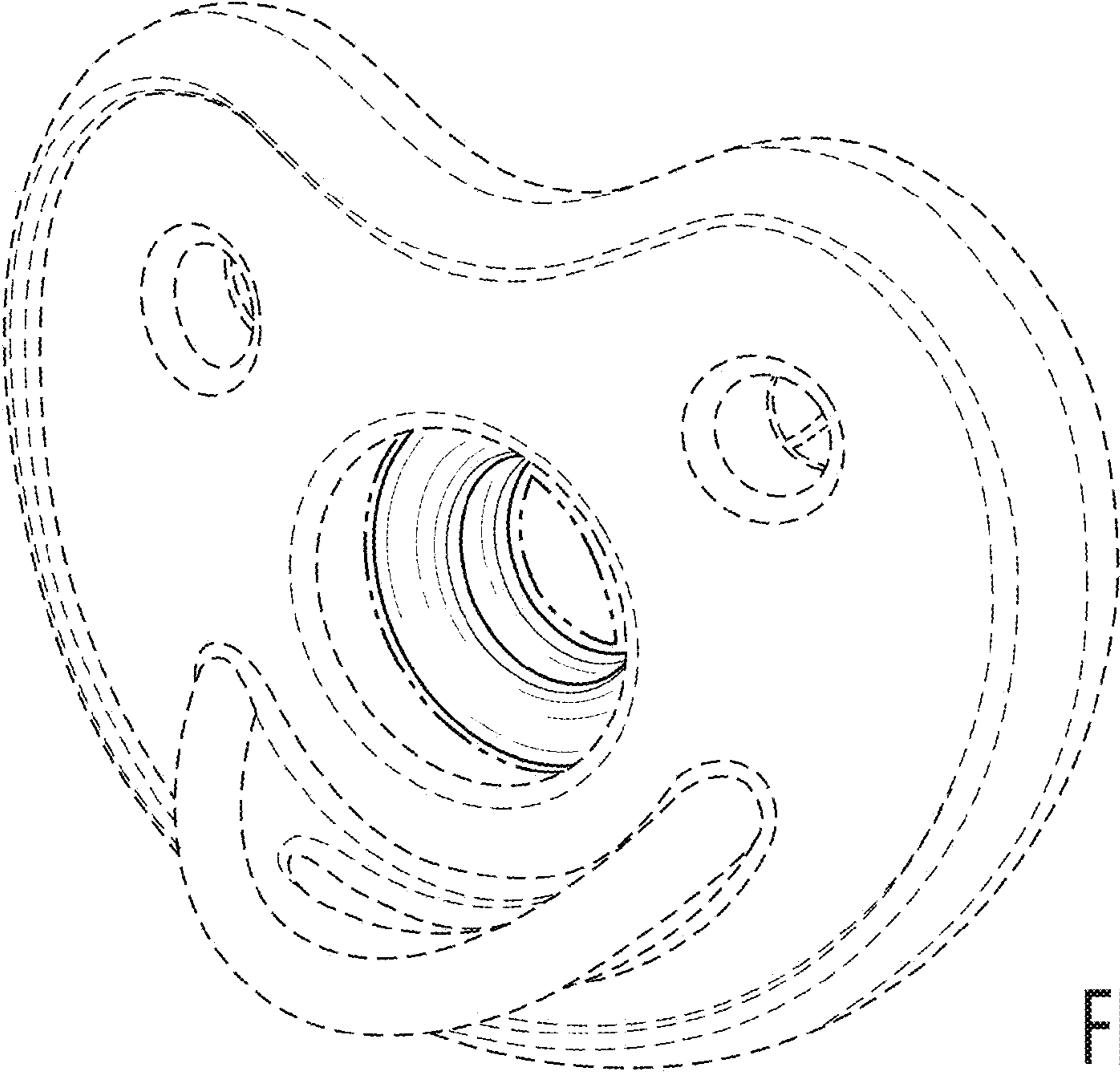


FIG. 1

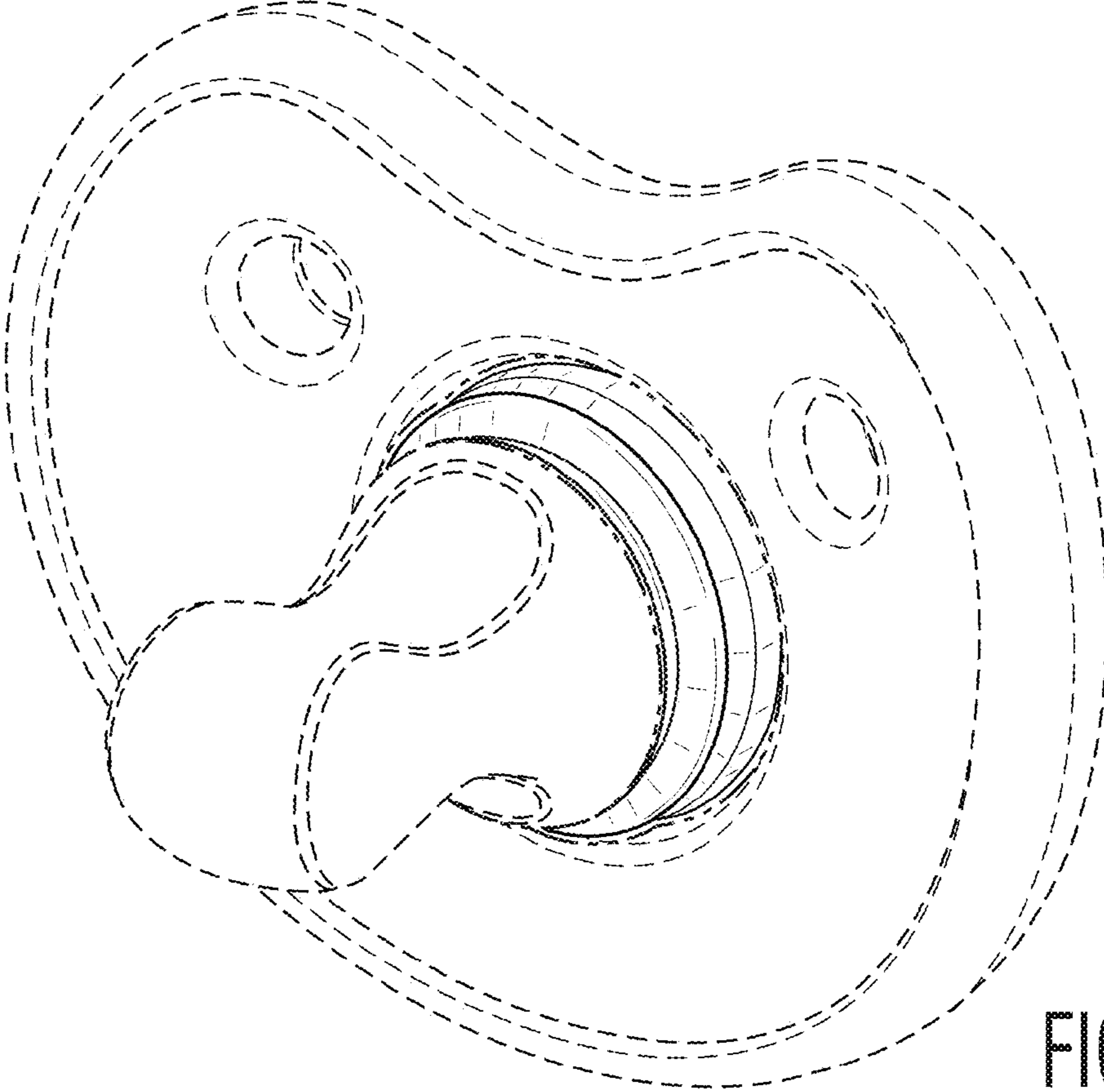


FIG. 2

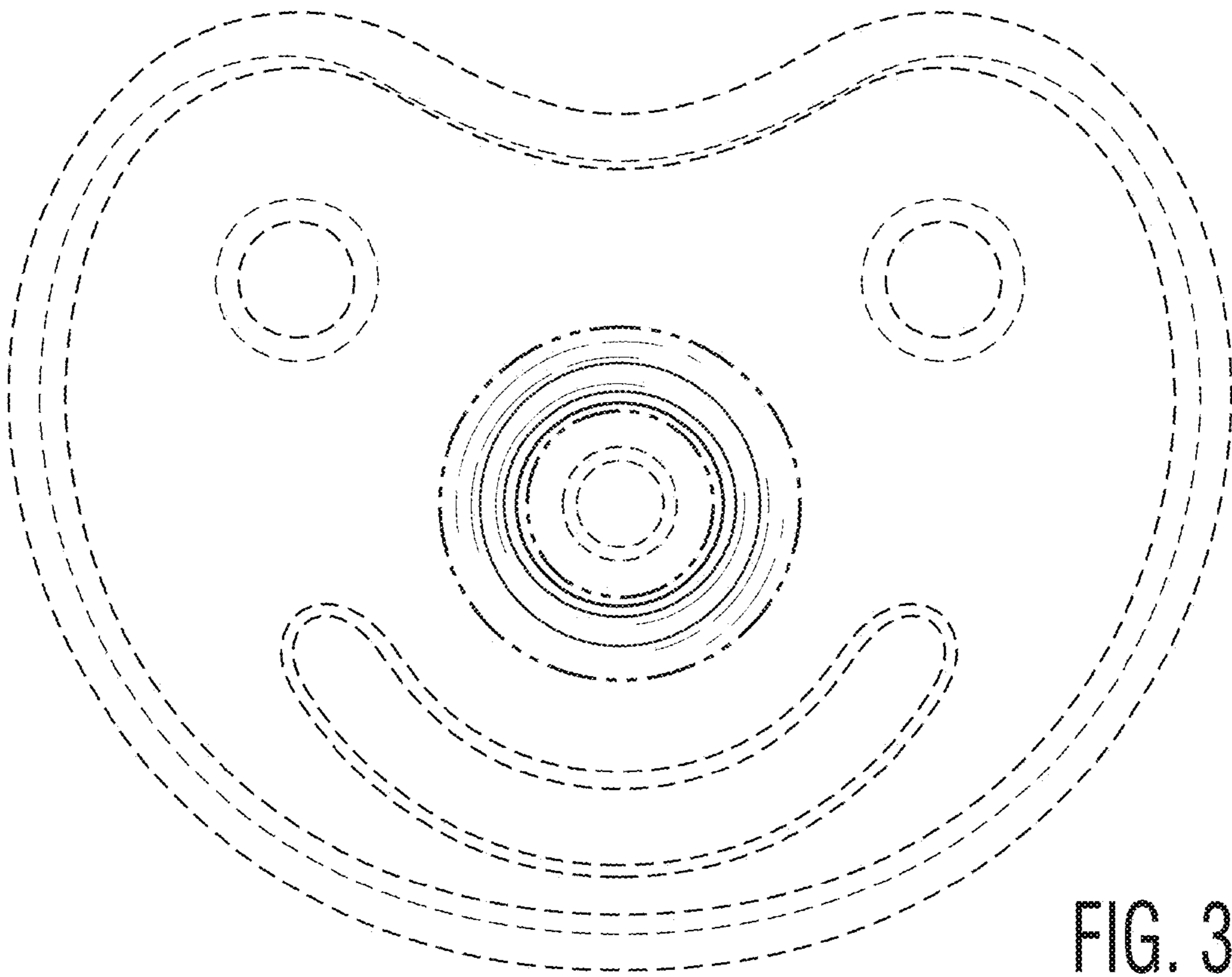


FIG. 3

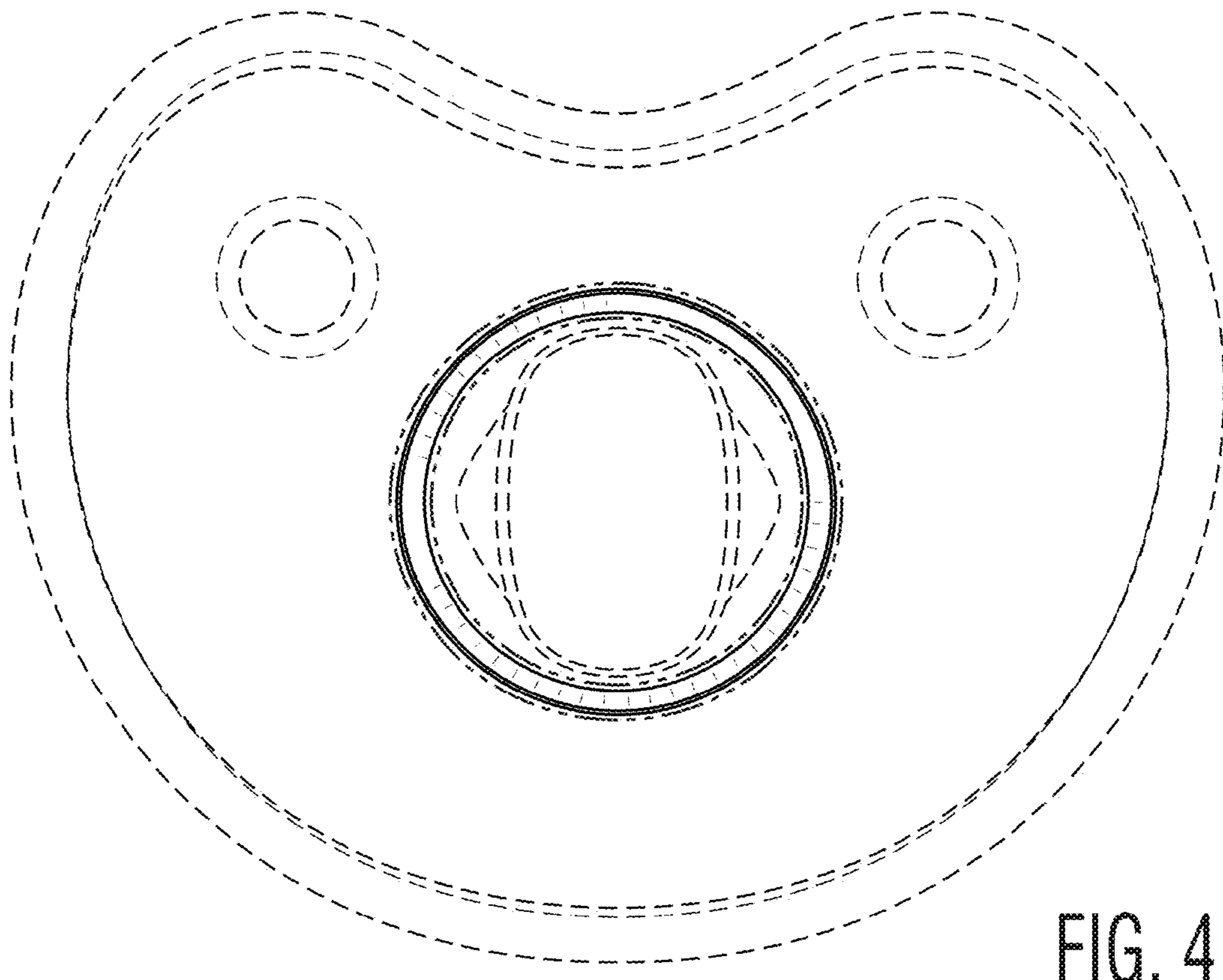


FIG. 4

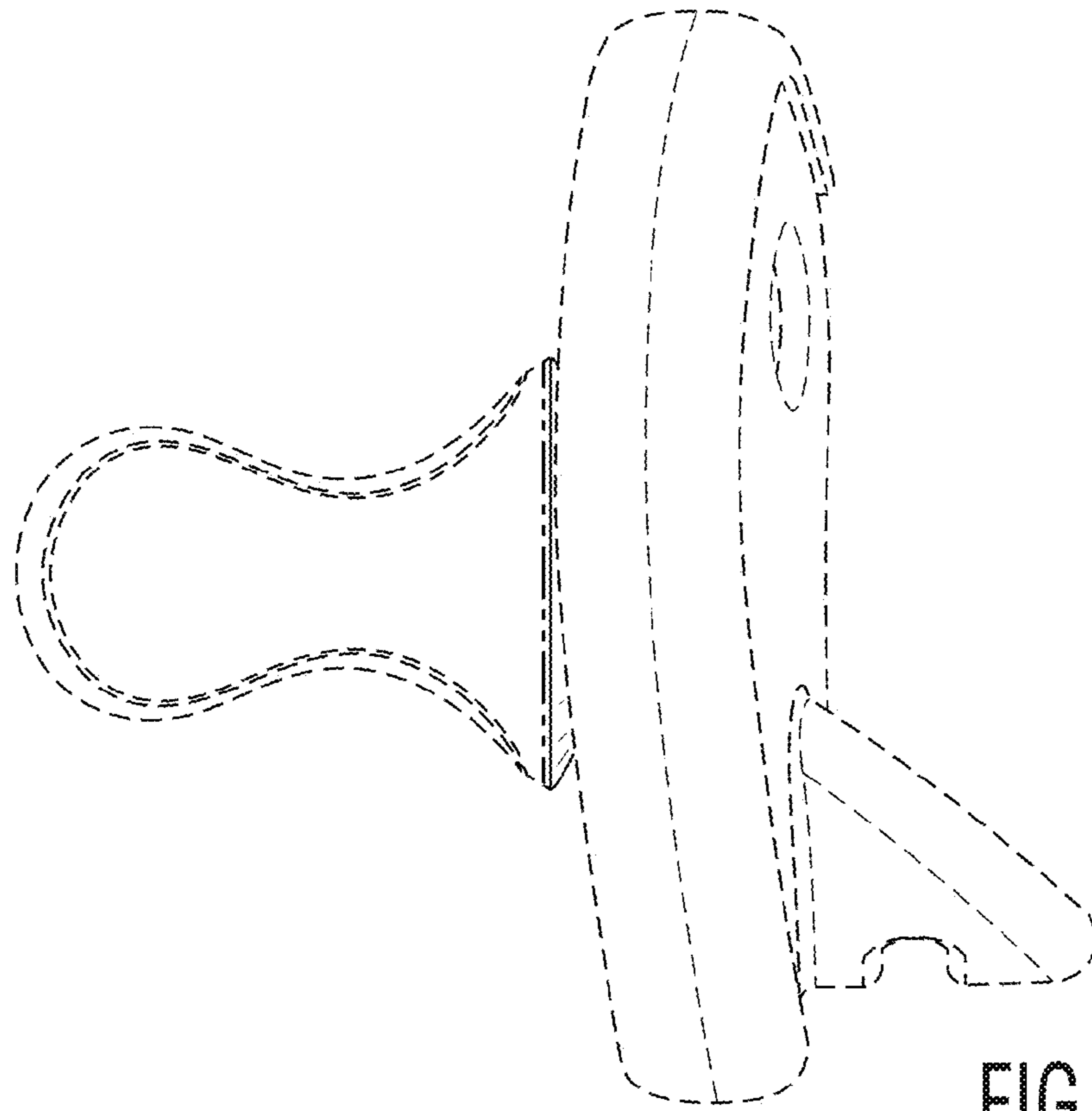


FIG. 5

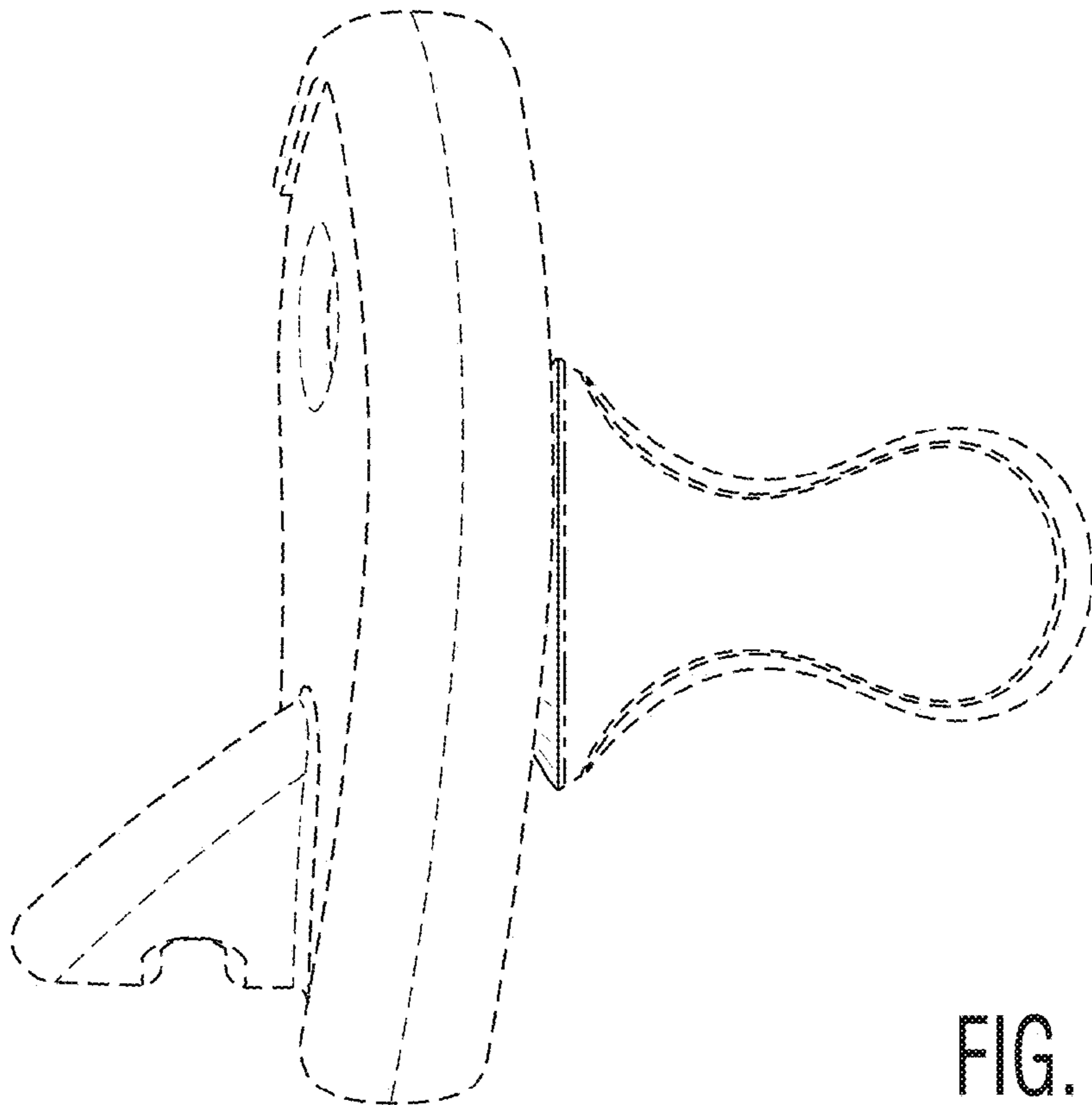


FIG. 6

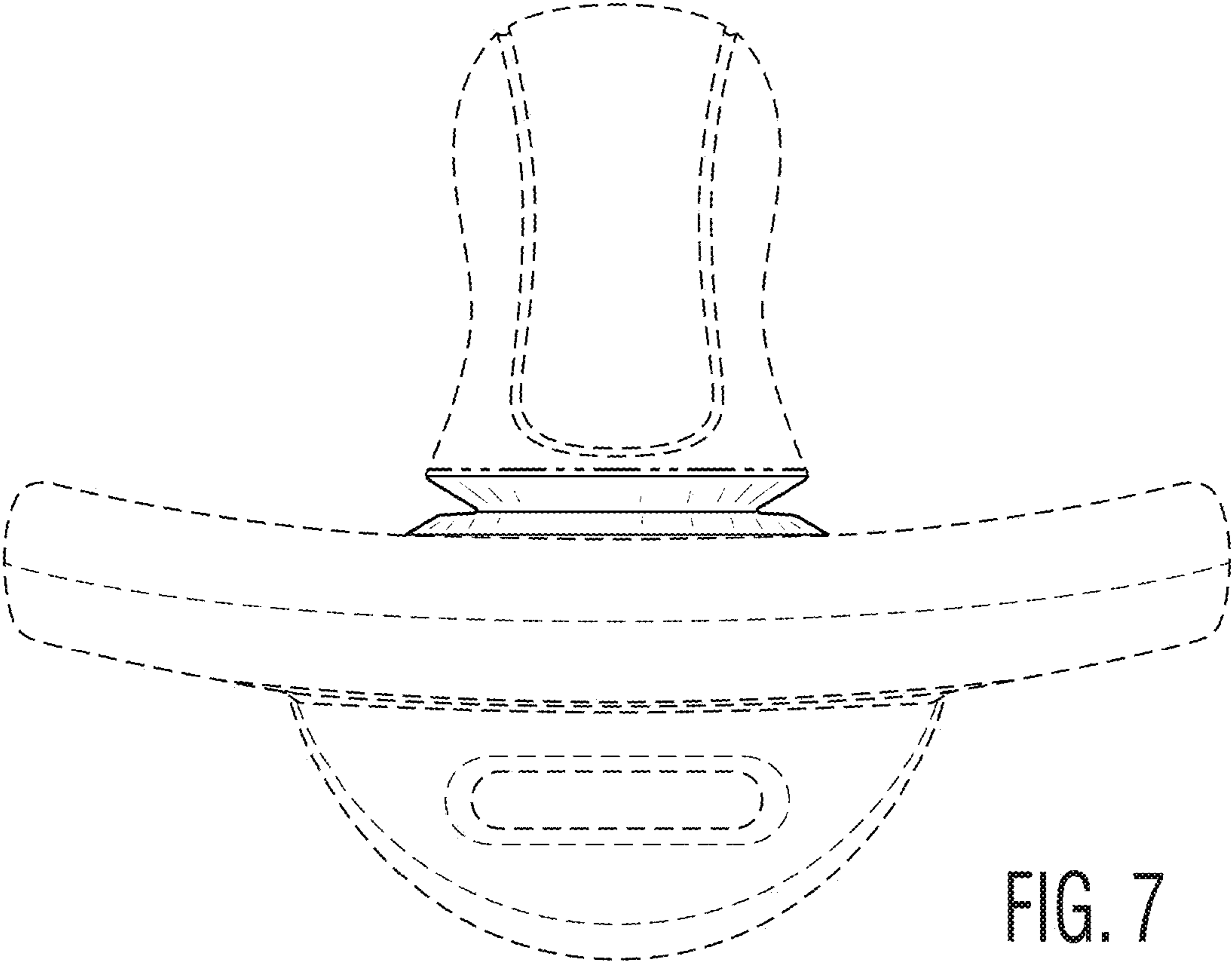


FIG. 7

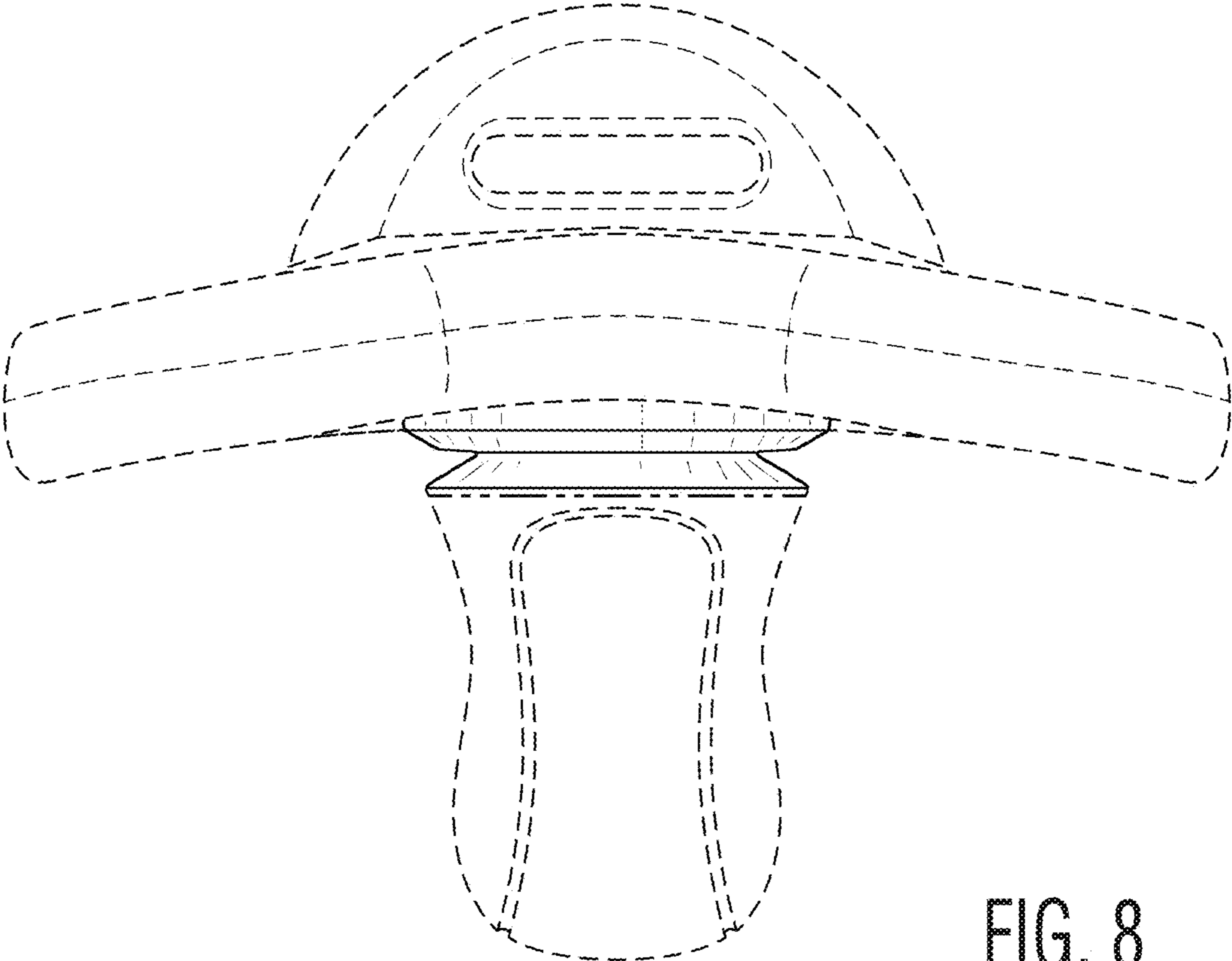


FIG. 8

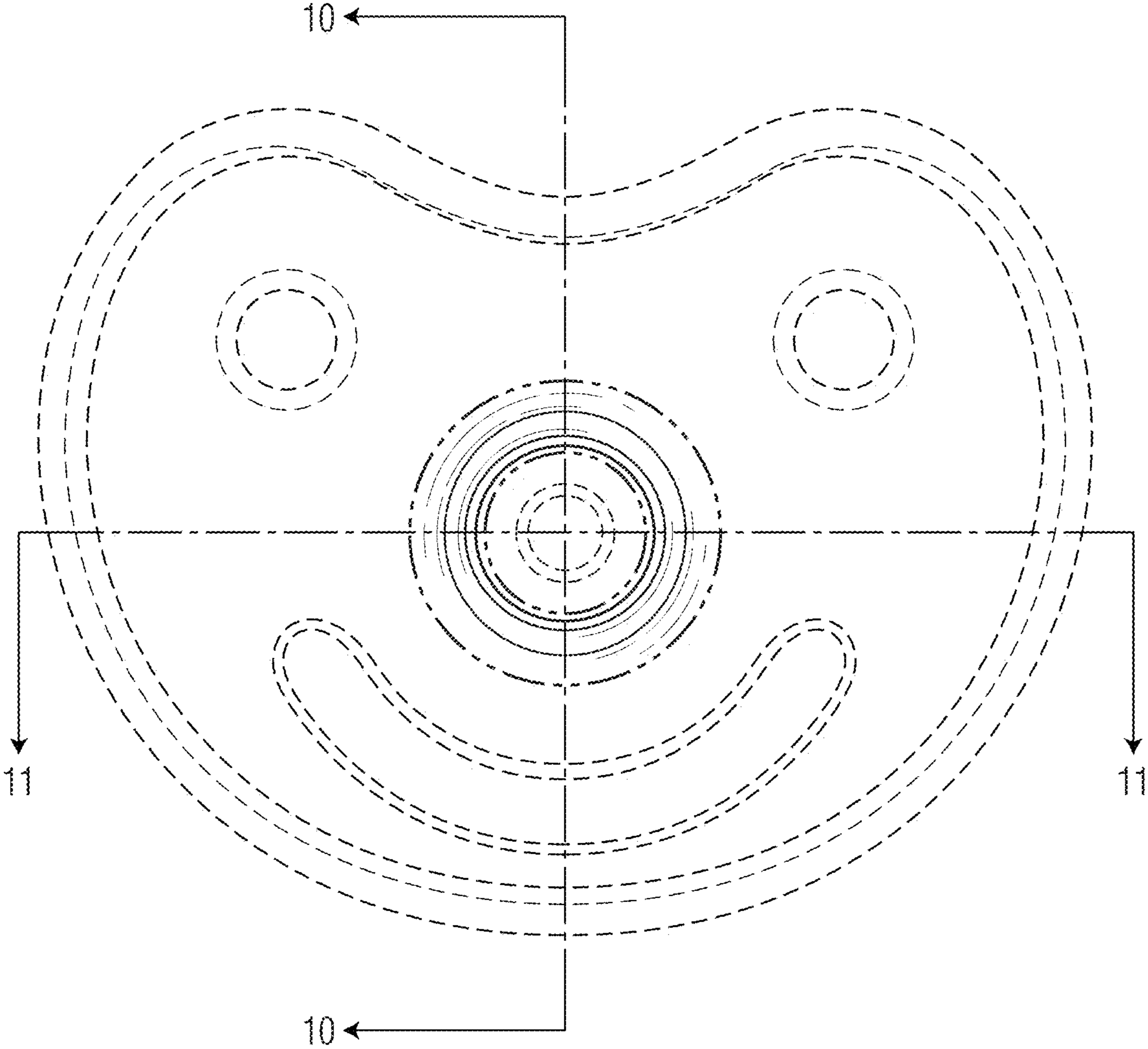


FIG. 9

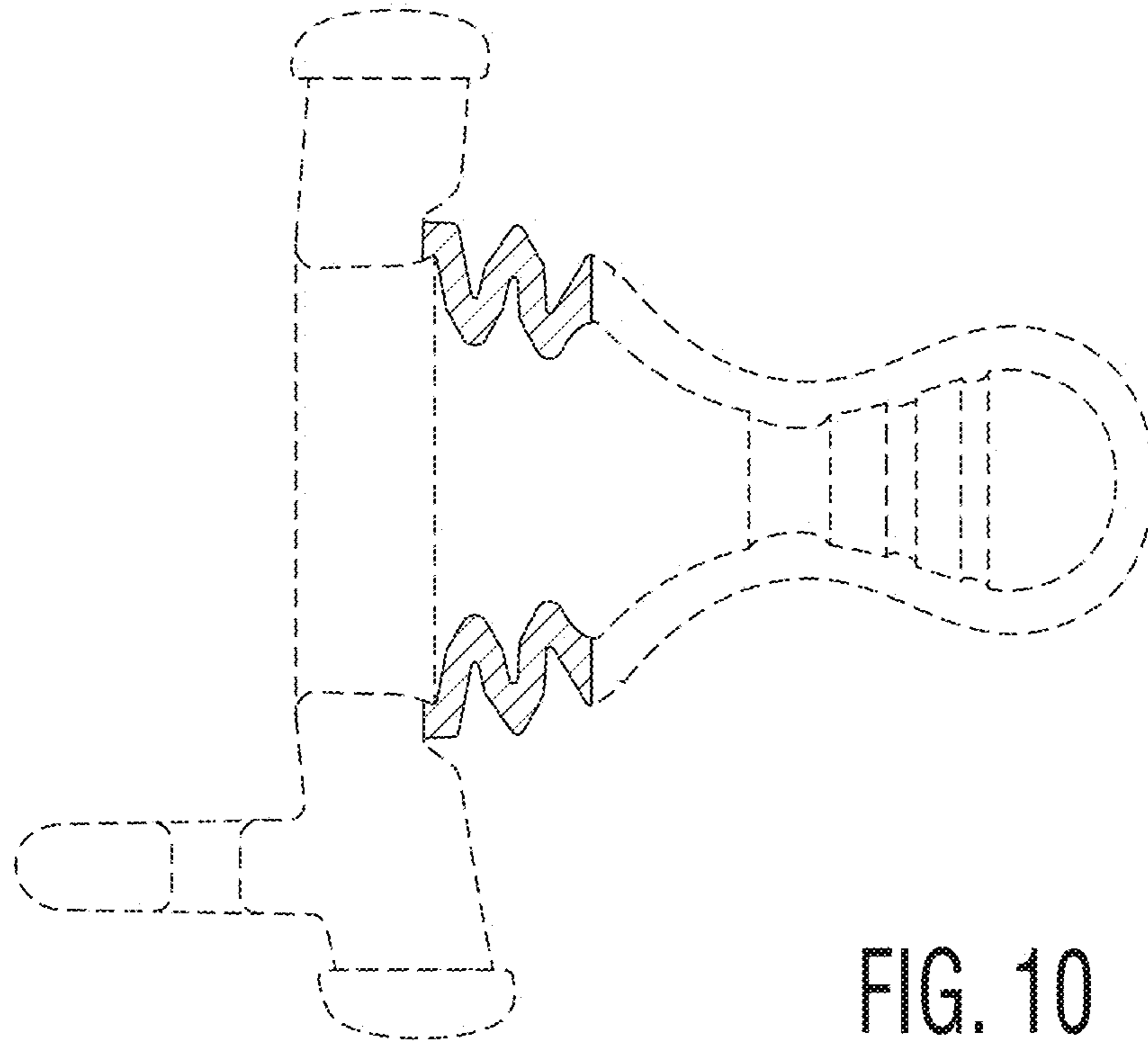


FIG. 10

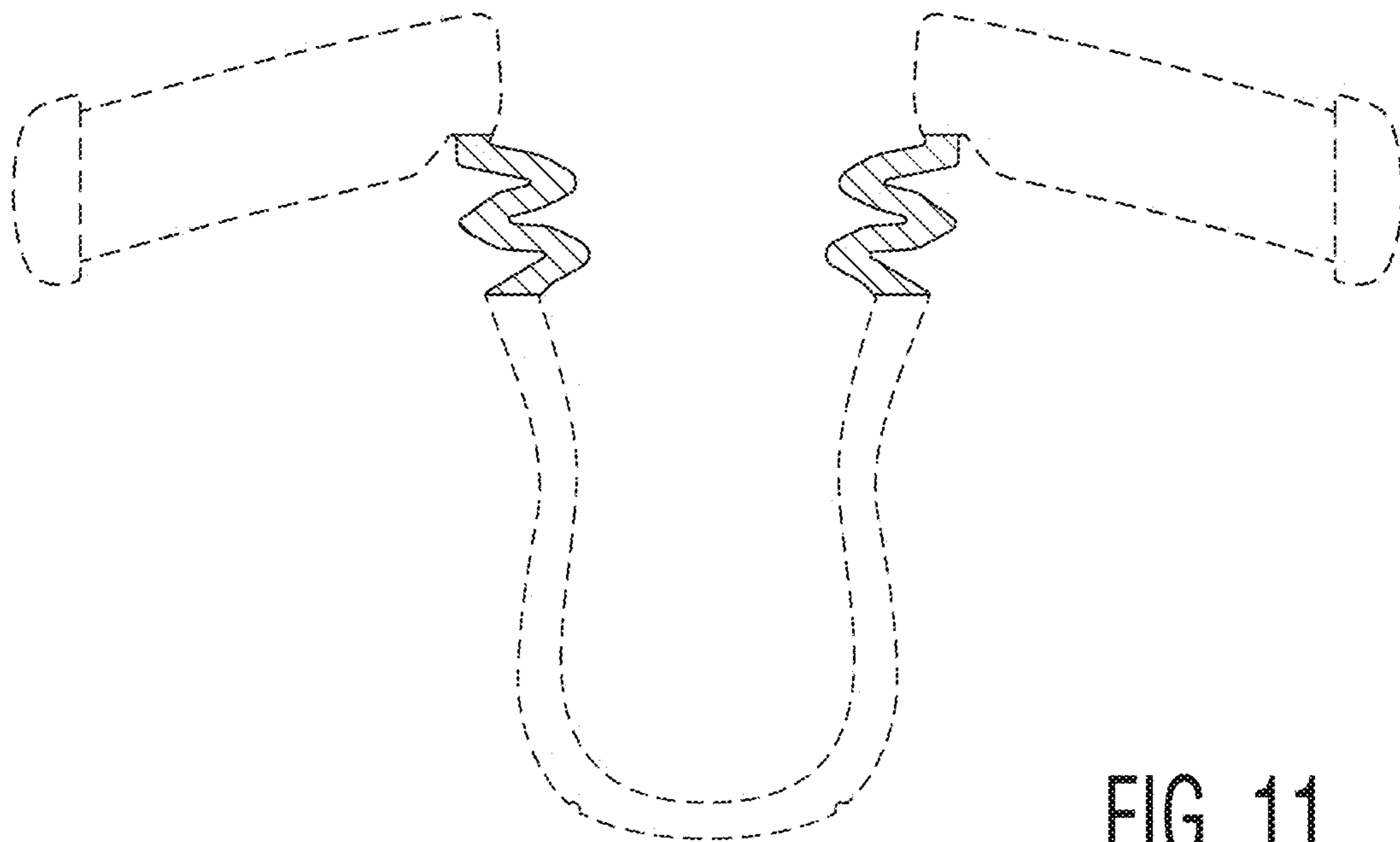


FIG. 11