



US00D967443S

(12) **United States Design Patent** (10) **Patent No.:** **US D967,443 S**
Spivak et al. (45) **Date of Patent:** **** Oct. 18, 2022**

(54) **NIPPLE SHIELD**
(71) Applicant: **Mitera LLC**, Mountainside, NJ (US)
(72) Inventors: **Yekaterina Spivak**, Mountainside, NJ (US); **Maksim Spivak**, Mountainside, NJ (US); **Aaron Bronshtein**, Oakland, NJ (US); **Michael Maloney**, Caledon East (CA)
(**) Term: **15 Years**
(21) Appl. No.: **29/776,131**
(22) Filed: **Mar. 29, 2021**

D476,085 S 6/2003 Dumont et al.
D483,491 S * 12/2003 Grady D24/189
6,968,964 B2 11/2005 Gilmore
D584,399 S 1/2009 Pacini
D599,028 S 8/2009 Schofield
8,357,117 B2 1/2013 Sokal et al.
8,469,771 B2 * 6/2013 Francis A61J 13/00
450/37
8,672,877 B2 3/2014 Gust
9,060,917 B1 6/2015 Tronson
D780,610 S 3/2017 Ogden
D798,460 S * 9/2017 Farley D24/189
D810,308 S 2/2018 Lind et al.
9,895,292 B1 2/2018 Tronson
10,016,341 B2 7/2018 Chin et al.
10,149,801 B2 12/2018 Conner et al.
D876,645 S * 2/2020 Zhang D24/189
10,639,207 B1 5/2020 Harder et al.
D887,011 S * 6/2020 Wei D24/190

Related U.S. Application Data

(63) Continuation of application No. 29/683,891, filed on Mar. 15, 2019, now Pat. No. Des. 914,892.
(51) **LOC (13) Cl.** **24-01**
(52) **U.S. Cl.**
USPC **D24/190**
(58) **Field of Classification Search**
USPC D24/189-190, 194, 196
CPC A61F 13/023; A61F 13/0259; A61F 2013/00412; A61F 2013/00846; A61F 13/0203; A61B 5/0408; A61N 1/0456; Y10T 428/14; Y10T 428/15; Y10T 428/149; Y10T 428/1495; Y10T 428/1471; Y10T 428/24793; Y10T 428/24802; Y10T 428/1476; Y10T 428/24777; Y10T 428/2848
See application file for complete search history.

Primary Examiner — Jennifer L Watkins
(74) *Attorney, Agent, or Firm* — Patent GC LLC; Alexander Franco

(57) **CLAIM**

The ornamental design for a nipple shield, as shown and described.

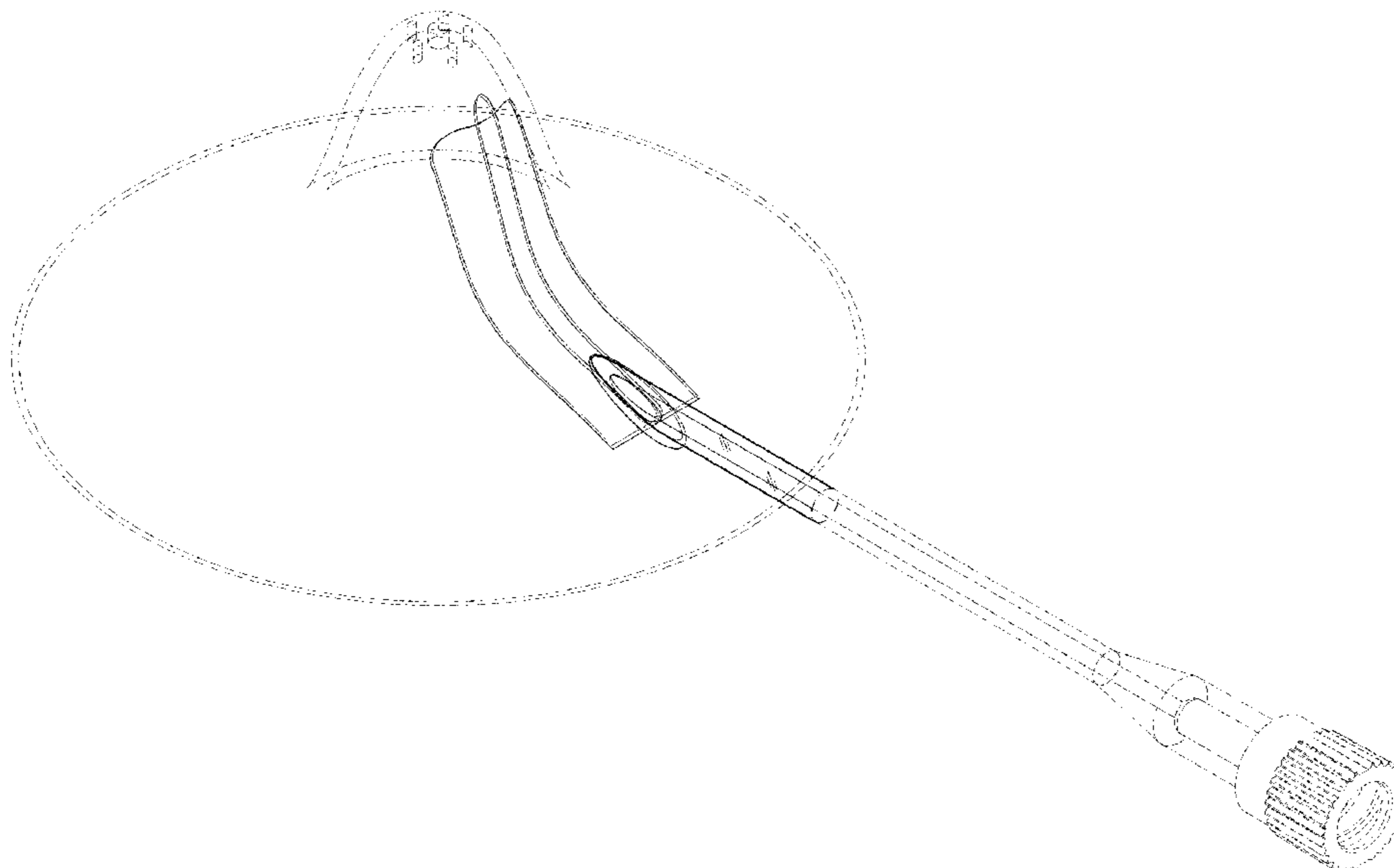
DESCRIPTION

FIG. 1 is a perspective view of a nipple shield with a flap that is bonded in place over a channel.
FIG. 2 is a top view thereof.
FIG. 3 is a bottom view thereof.
FIG. 4 is front view thereof.
FIG. 5 is a back view thereof; and,
FIG. 6 is a right side view thereof, and the left side view (not illustrated) is a mirror image of the right side view.
In the drawings, broken lines depict portions of the nipple shield and form no part of the claim. The dot-dash broken lines define the bounds of the claim and form no part thereof.

(56) **References Cited**
U.S. PATENT DOCUMENTS

4,687,466 A 8/1987 Larsson
D384,414 S 9/1997 Pernarella
6,270,519 B1 8/2001 Botts

1 Claim, 6 Drawing Sheets



(56)

References Cited

U.S. PATENT DOCUMENTS

D913,506	S	*	3/2021	Ladiges	D24/189
D914,892	S		3/2021	Spivak et al.	
2006/0100603	A1		5/2006	Thwaits	
2006/0226108	A1	*	10/2006	Dahan	G01F 1/72 215/11.1
2013/0270140	A1		10/2013	Tronson	
2015/0005678	A1		1/2015	Wall	
2016/0120763	A1		5/2016	Conner et al.	
2020/0289376	A1		9/2020	Spivak et al.	

* cited by examiner

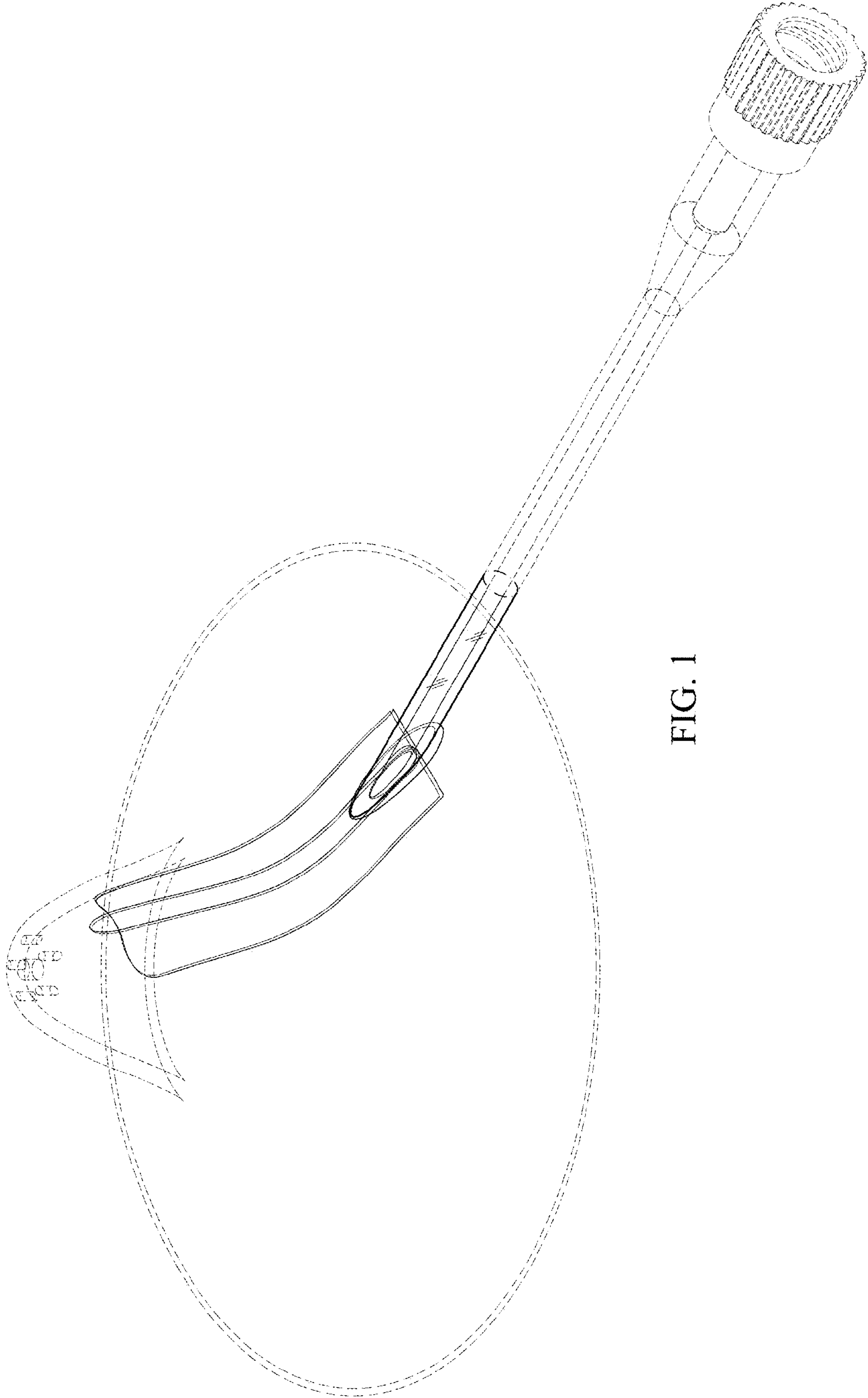


FIG. 1

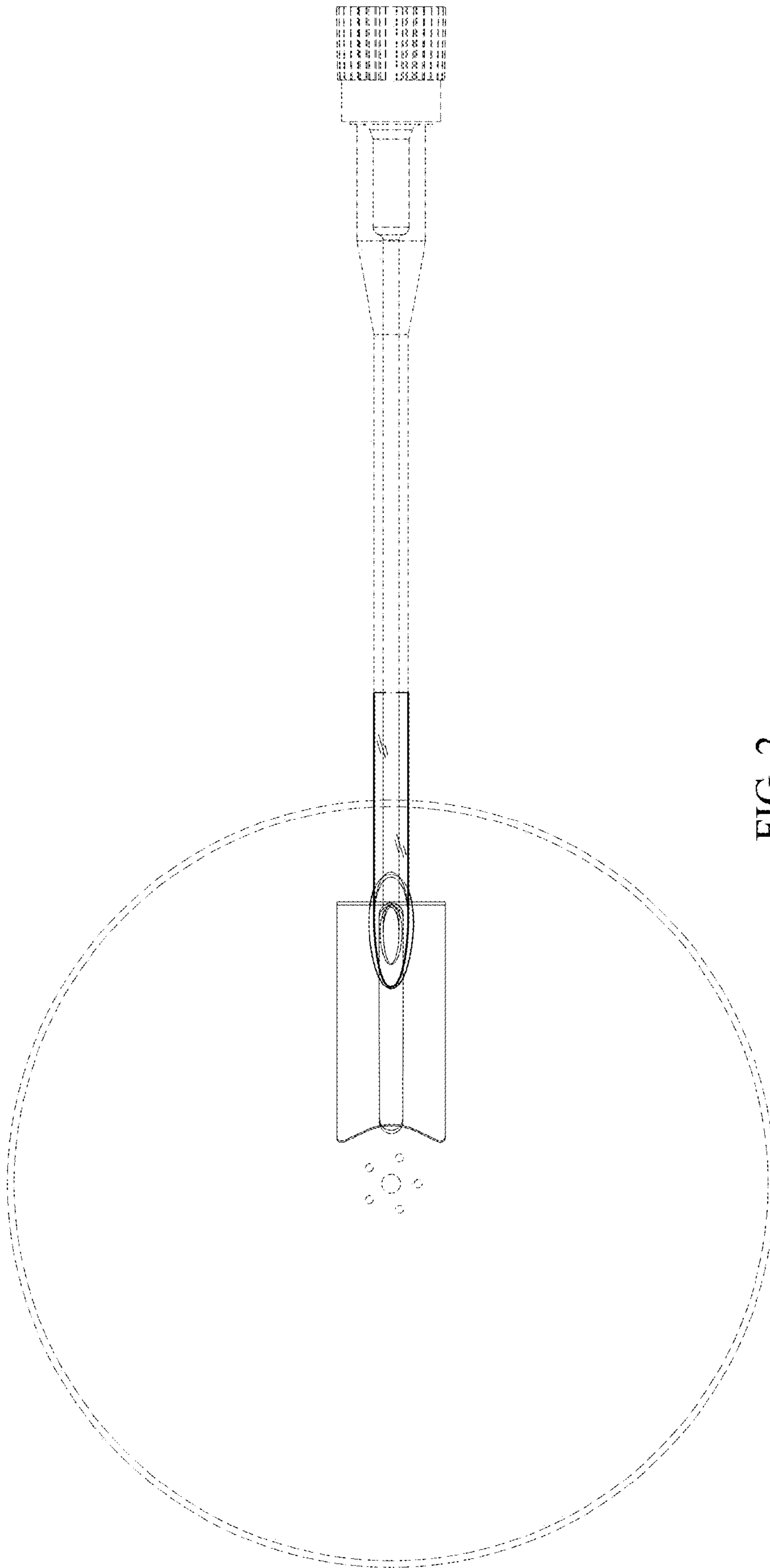


FIG. 2

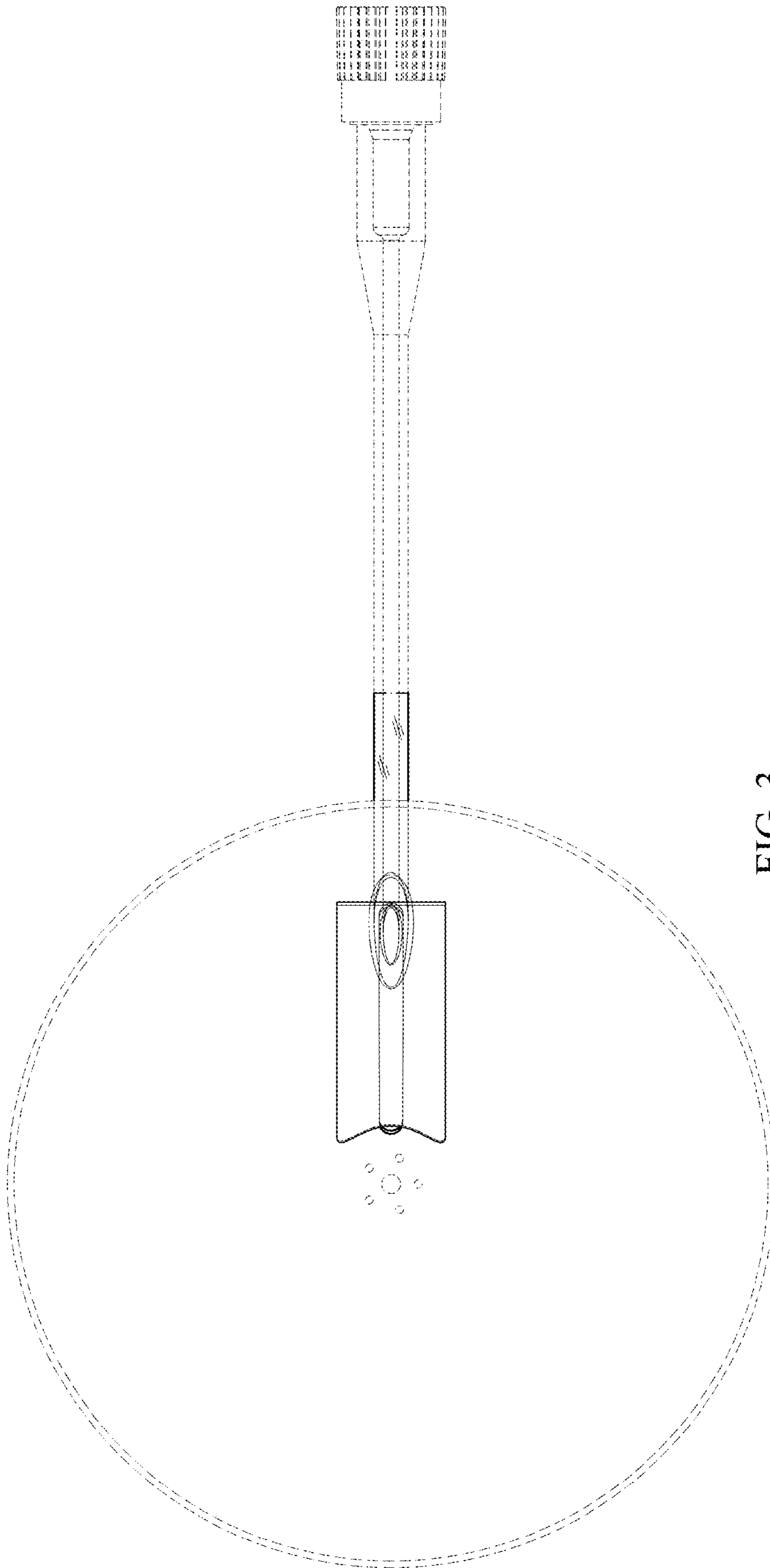


FIG. 3

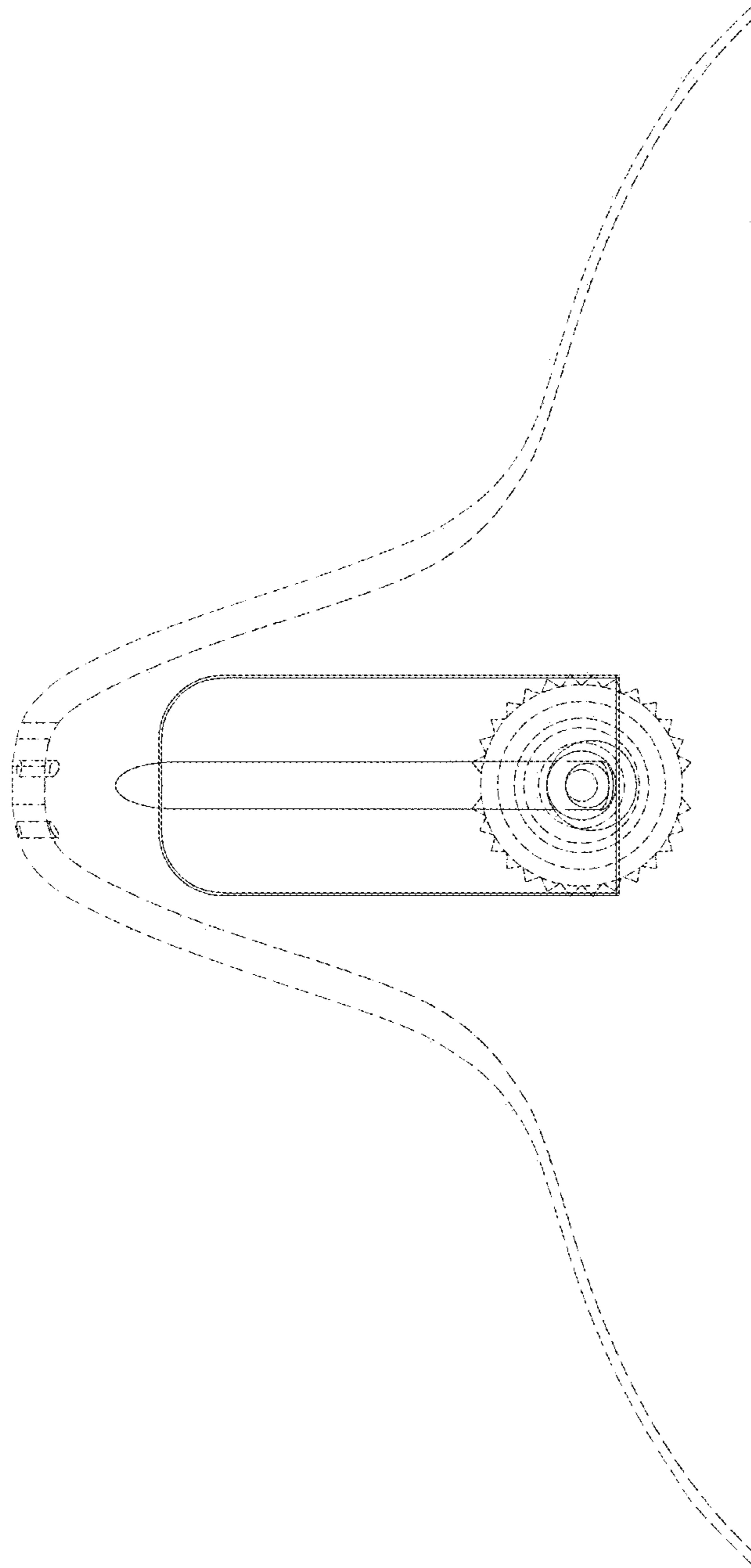


FIG. 4

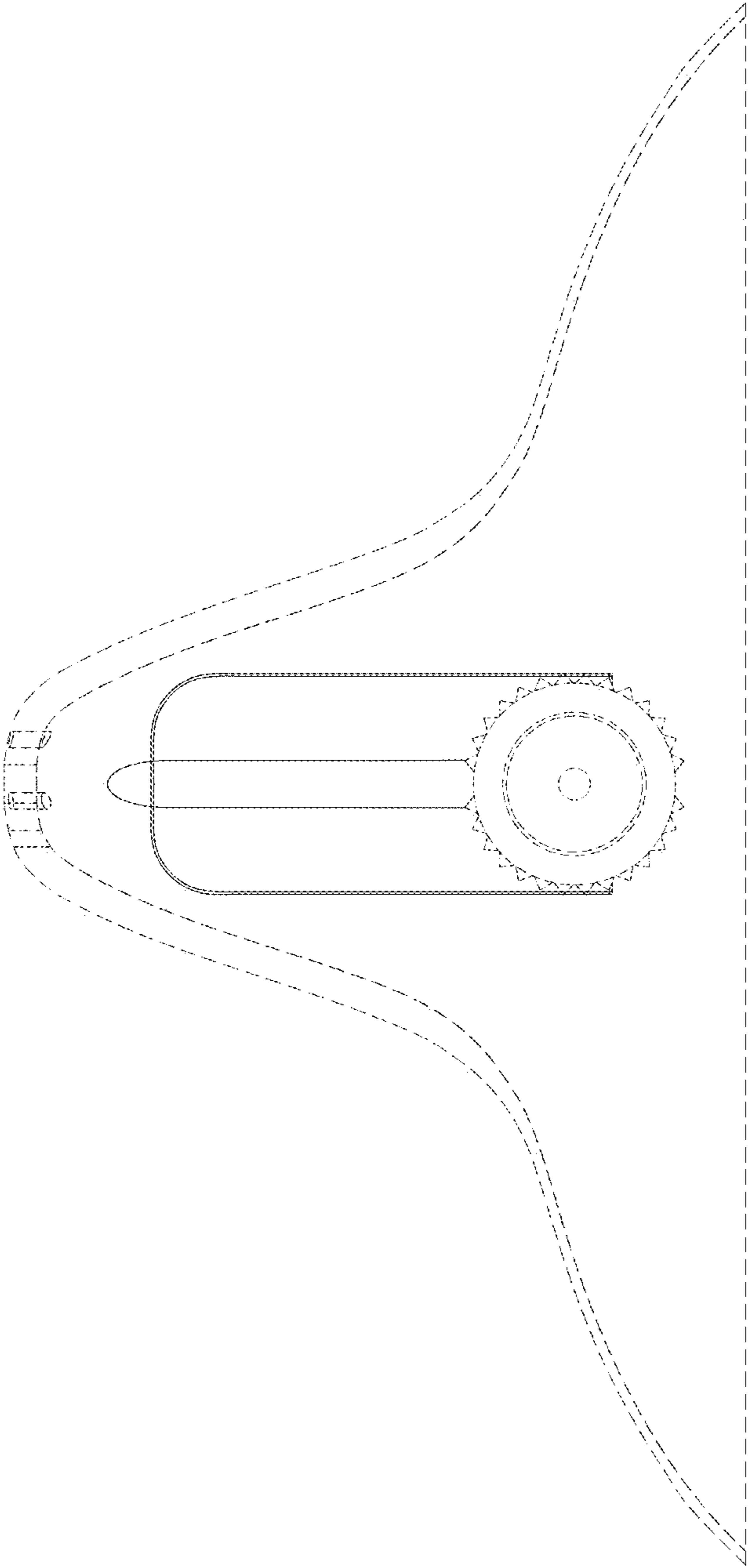


FIG. 5

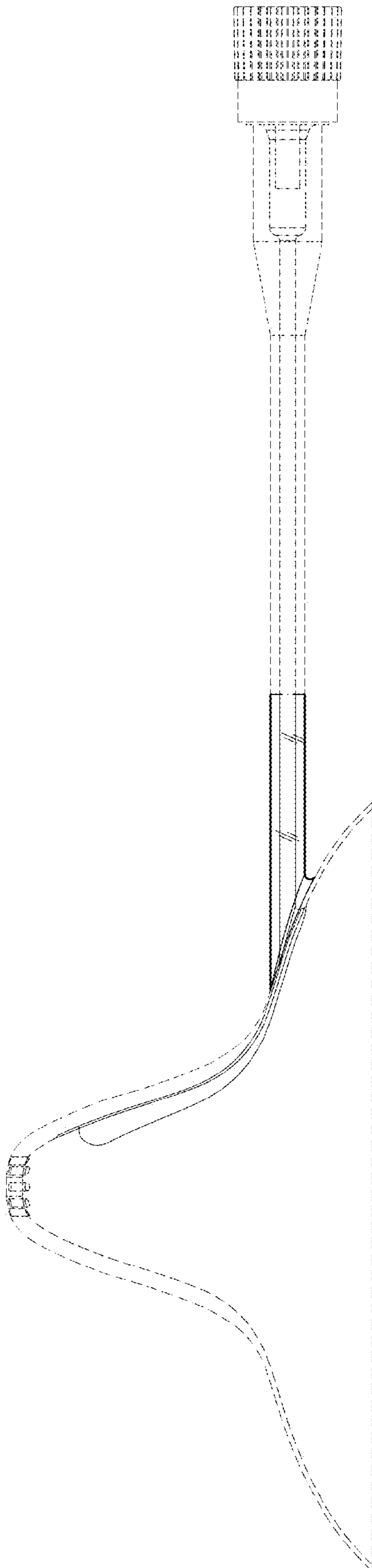


FIG. 6