

US00D967436S

(12) **United States Design Patent** (10) **Patent No.:** **US D967,436 S**
Saunamäki et al. (45) **Date of Patent:** **** Oct. 18, 2022**

(54) **SMART MEDICAL MEASUREMENT TERMINAL**

(71) Applicant: **Arçelik Anonim Sirketi**, Istanbul (TR)

(72) Inventors: **Jarkko Saunamäki**, Tuzla Istanbul (TR); **Meri Laine**, Tuzla Istanbul (TR)

(73) Assignee: **Arçelik Anonim Sirketi**, Istanbul (TR)

(**) Term: **15 Years**

(21) Appl. No.: **29/685,371**

(22) Filed: **Mar. 28, 2019**

(30) **Foreign Application Priority Data**

Feb. 5, 2019 (EM) 006167516

(51) **LOC (13) Cl.** **24-02**

(52) **U.S. Cl.**
USPC **D24/185**

(58) **Field of Classification Search**
USPC D24/185, 186, 165, 199, 172, 170;
D15/199; D10/88; D34/19
CPC A61M 1/308; A61B 5/022; A63H 11/00
See application file for complete search history.

(56) **References Cited**

U.S. PATENT DOCUMENTS

D259,509 S *	6/1981	Loeffler	D24/165
D262,139 S *	12/1981	Duckat	D24/165
D297,364 S *	8/1988	Slater	D10/88
4,998,534 A *	3/1991	Claxton, III	A61B 5/022 600/494
D371,844 S *	7/1996	Sadritabrizi	D24/165
5,919,154 A *	7/1999	Toavs	A61M 1/308 604/4.01
D484,980 S *	1/2004	Hartwein	D24/165

D501,557 S *	2/2005	Collins	D24/186
D526,414 S *	8/2006	Jacober	D24/165
D548,345 S *	8/2007	Kobayashi	D24/165
D566,844 S *	4/2008	Inose	D24/165
D609,344 S *	2/2010	Hara	D24/165
D611,150 S *	3/2010	Omaki	D24/165
D611,605 S *	3/2010	Hara	D24/165
D878,443 S *	3/2020	Abe	D15/199
D883,352 S *	5/2020	Abe	D15/199
D893,731 S *	8/2020	Young	D24/170
D924,410 S *	7/2021	Mendoza	D24/185
D933,923 S *	10/2021	Singer	D34/19
D934,320 S *	10/2021	Abe	15/199
D934,324 S *	10/2021	Hatteland	A63H 11/00 D15/199
D935,619 S *	11/2021	Huber-Meznaric	D24/172
D936,230 S *	11/2021	Prout	D24/185
D936,842 S *	11/2021	Wu	D24/186

* cited by examiner

Primary Examiner — Rhea Shields

(74) *Attorney, Agent, or Firm* — Fox Rothschild LLP

(57) **CLAIM**

The ornamental design for a smart medical measurement terminal, as shown and described.

DESCRIPTION

FIG. 1 is a rear view of a smart medical measurement terminal.

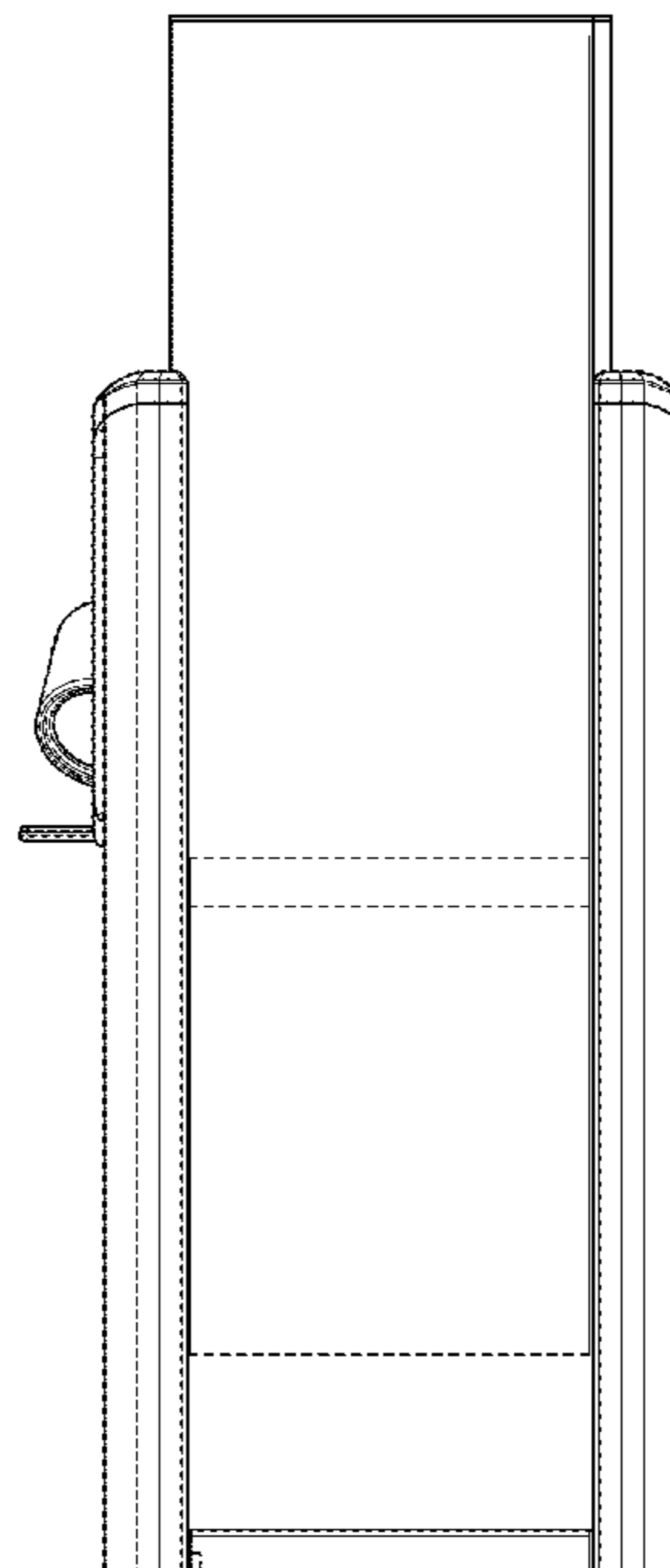
FIG. 2 is a front view of the smart medical measurement terminal.

FIG. 3 is a right side view of the smart medical measurement terminal; and,

FIG. 4 is a top view of the smart medical measurement terminal.

The broken lines depict portions of the smart medical measurement terminal that form no part of the claim.

1 Claim, 4 Drawing Sheets



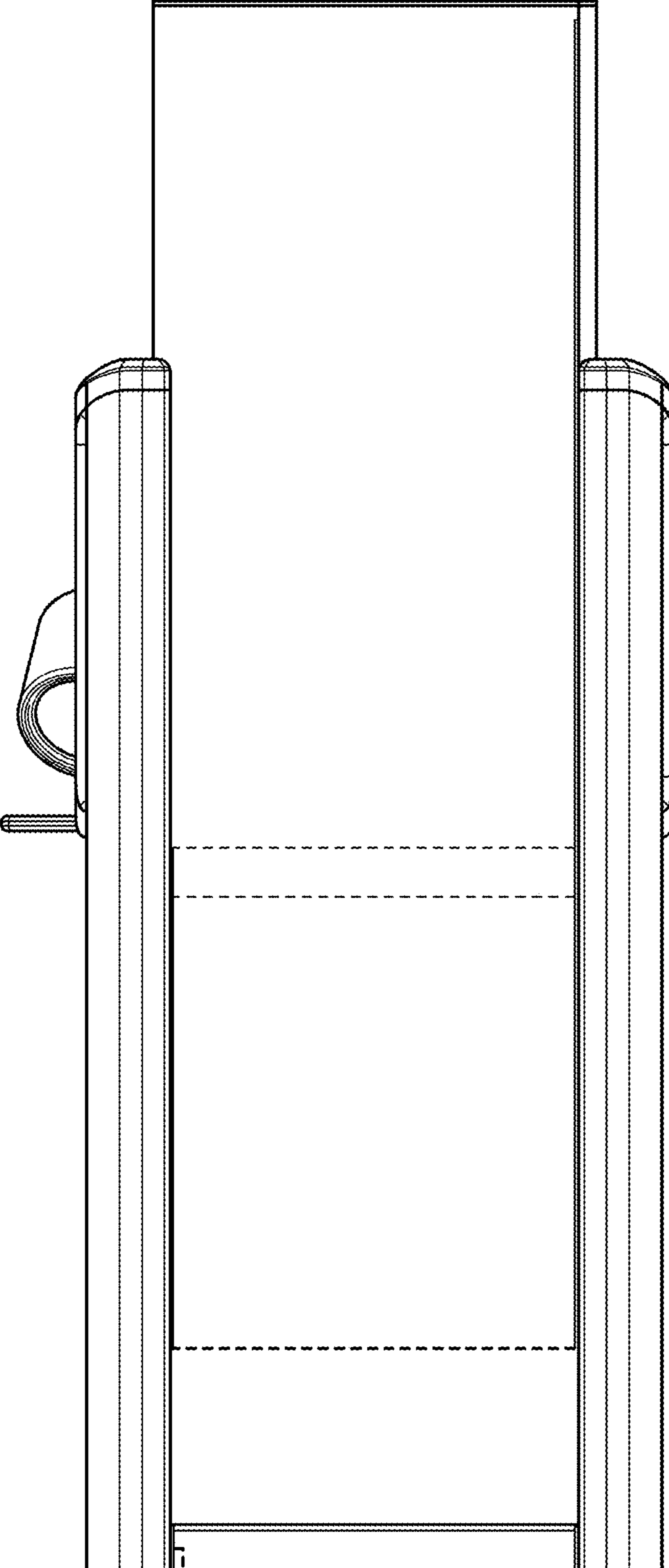


FIG. 1

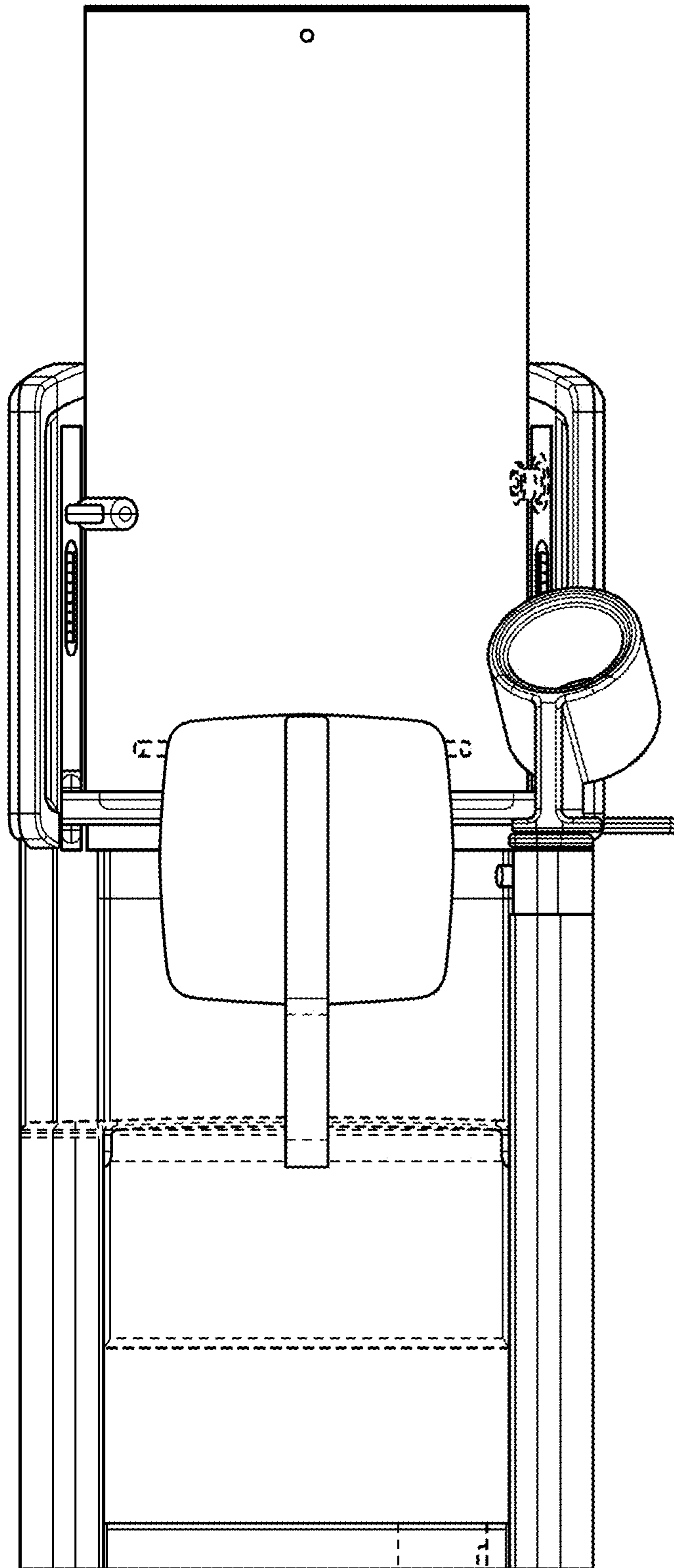


FIG. 2

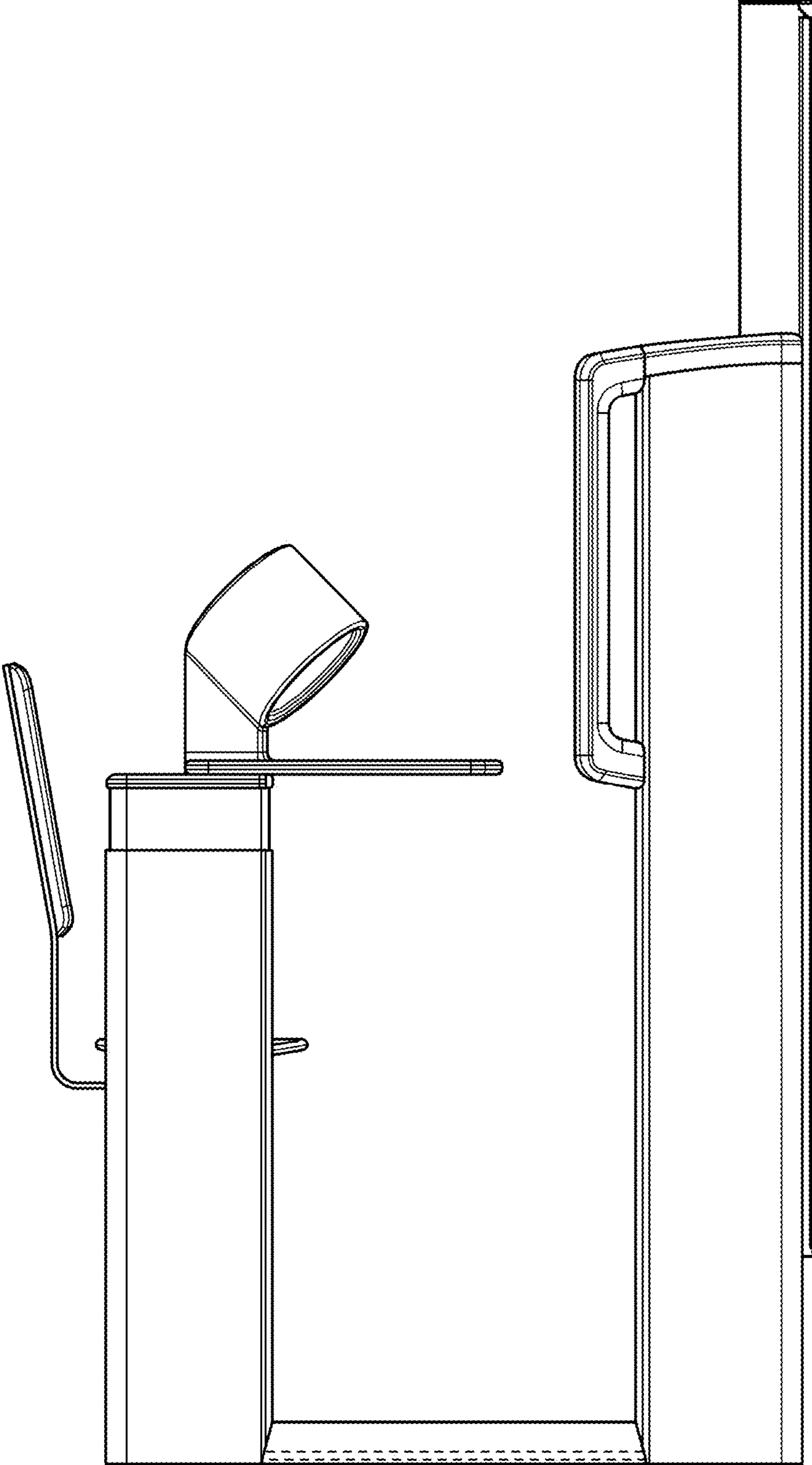


FIG. 3

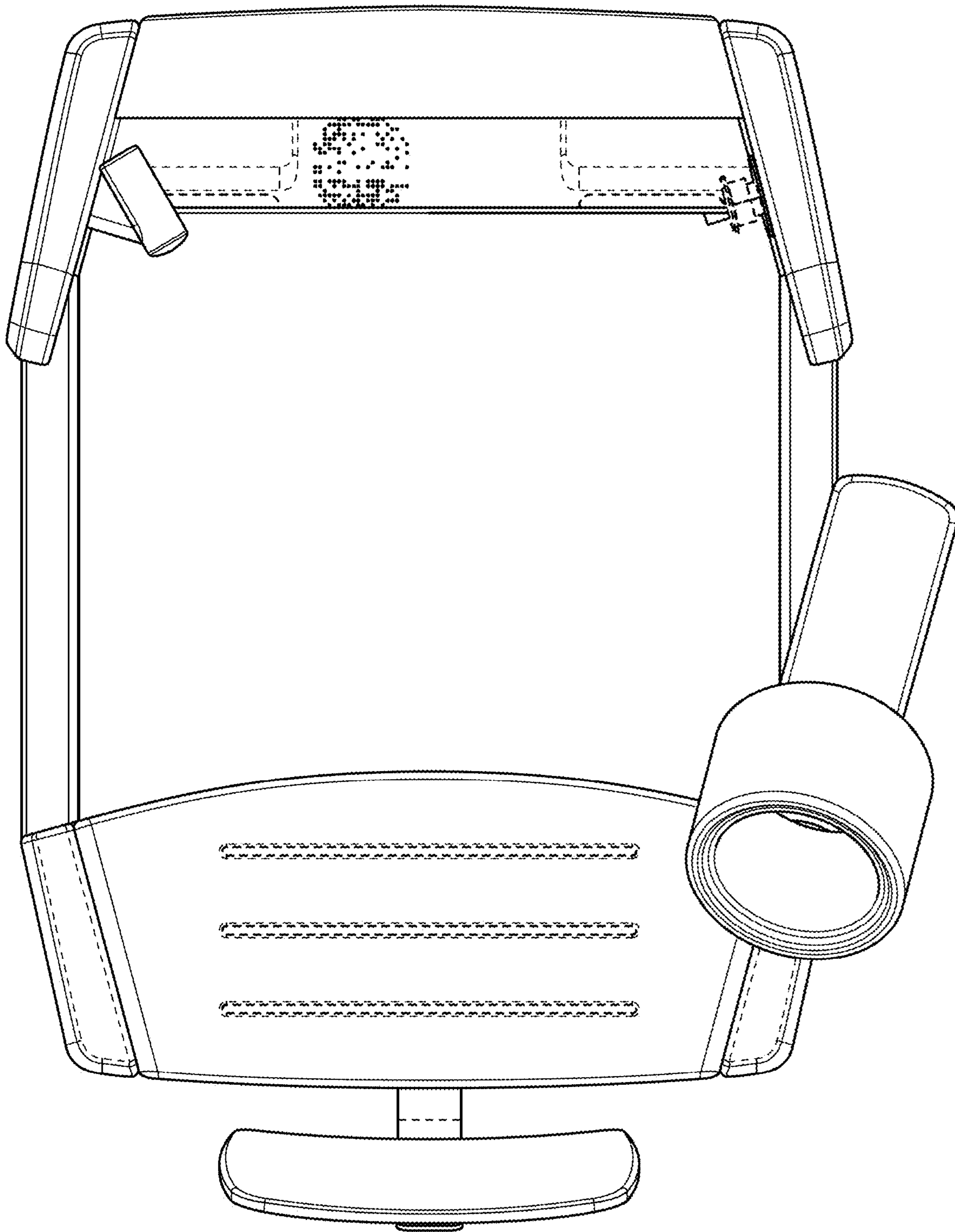


FIG. 4

UNITED STATES PATENT AND TRADEMARK OFFICE
CERTIFICATE OF CORRECTION

PATENT NO. : D967,436 S
APPLICATION NO. : 29/685371
DATED : October 18, 2022
INVENTOR(S) : Jarkko Saunamäki et al.

Page 1 of 1

It is certified that error appears in the above-identified patent and that said Letters Patent is hereby corrected as shown below:

On the Title Page

Please delete and replace item (73) Assignee with: 'KOC YASA COK YASA MEDIKAL A.S.
(Istanbul, TR)

Signed and Sealed this
Third Day of October, 2023
Katherine Kelly Vidal

Katherine Kelly Vidal
Director of the United States Patent and Trademark Office