



US00D967427S

(12) **United States Design Patent**  
**Kim et al.**

(10) **Patent No.:** **US D967,427 S**

(45) **Date of Patent:** **\*\* Oct. 18, 2022**

(54) **ABUTMENT HOLDER FOR DENTAL IMPLANTS**

(71) Applicant: **DIO CORPORATION**, Busan (KR)

(72) Inventors: **Jin Cheol Kim**, Busan (KR); **Jin Baek Kim**, Busan (KR)

(73) Assignee: **DIO CORPORATION**, Busan (KR)

(\*\*) Term: **15 Years**

(21) Appl. No.: **29/782,534**

(22) Filed: **May 7, 2021**

(30) **Foreign Application Priority Data**

Nov. 11, 2020 (KR) ..... 30-2020-0054434

(51) **LOC (13) Cl.** ..... **24-03**

(52) **U.S. Cl.**  
USPC ..... **D24/156**

(58) **Field of Classification Search**  
USPC ..... D24/156  
CPC ..... A61C 8/00; A61C 8/0089; A61C 8/0069;  
A61C 8/0054; A61C 8/0096; A61C  
8/0039; A61C 8/0063; A61C 8/006; A61C  
8/0001; A61C 8/0012; A61C 8/0075;  
A61C 8/0083; A61C 13/225  
See application file for complete search history.

(56) **References Cited**

**U.S. PATENT DOCUMENTS**

D523,145 S \* 6/2006 Gabrielsson ..... D24/156  
D573,259 S \* 7/2008 Park ..... D8/387  
D587,373 S \* 2/2009 Purga ..... D24/156  
D612,056 S \* 3/2010 White, III ..... D24/156  
D641,877 S \* 7/2011 Aldecoa ..... D24/156

D642,271 S \* 7/2011 Anitua Aldecoa ..... D24/156  
D652,929 S \* 1/2012 Sibhatu ..... D8/387  
D663,419 S \* 7/2012 Mashio ..... D24/156  
D667,955 S \* 9/2012 Spahn ..... D24/156  
D729,387 S \* 5/2015 Sicurelli ..... D24/156  
D732,669 S \* 6/2015 Fislser ..... D24/156  
D765,862 S \* 9/2016 Schendel ..... D24/156  
D800,308 S \* 10/2017 LeBeau ..... A61C 19/05  
D24/156  
D808,016 S \* 1/2018 Kim ..... D24/156  
D808,525 S \* 1/2018 Kim ..... D24/156  
D817,493 S \* 5/2018 Cho ..... D24/152  
D906,522 S \* 12/2020 Park ..... D24/156  
D946,757 S \* 3/2022 Mirelez, Jr. .... D24/156  
D946,758 S \* 3/2022 Mirelez, Jr. .... D24/156  
D946,759 S \* 3/2022 Mirelez, Jr. .... D24/156  
D946,760 S \* 3/2022 Mirelez, Jr. .... D24/156

\* cited by examiner

*Primary Examiner* — Charles D Hanson

(74) *Attorney, Agent, or Firm* — Patricia A Wilczynski  
Brozek; Pokalsky Wilczynski Brozek LLP

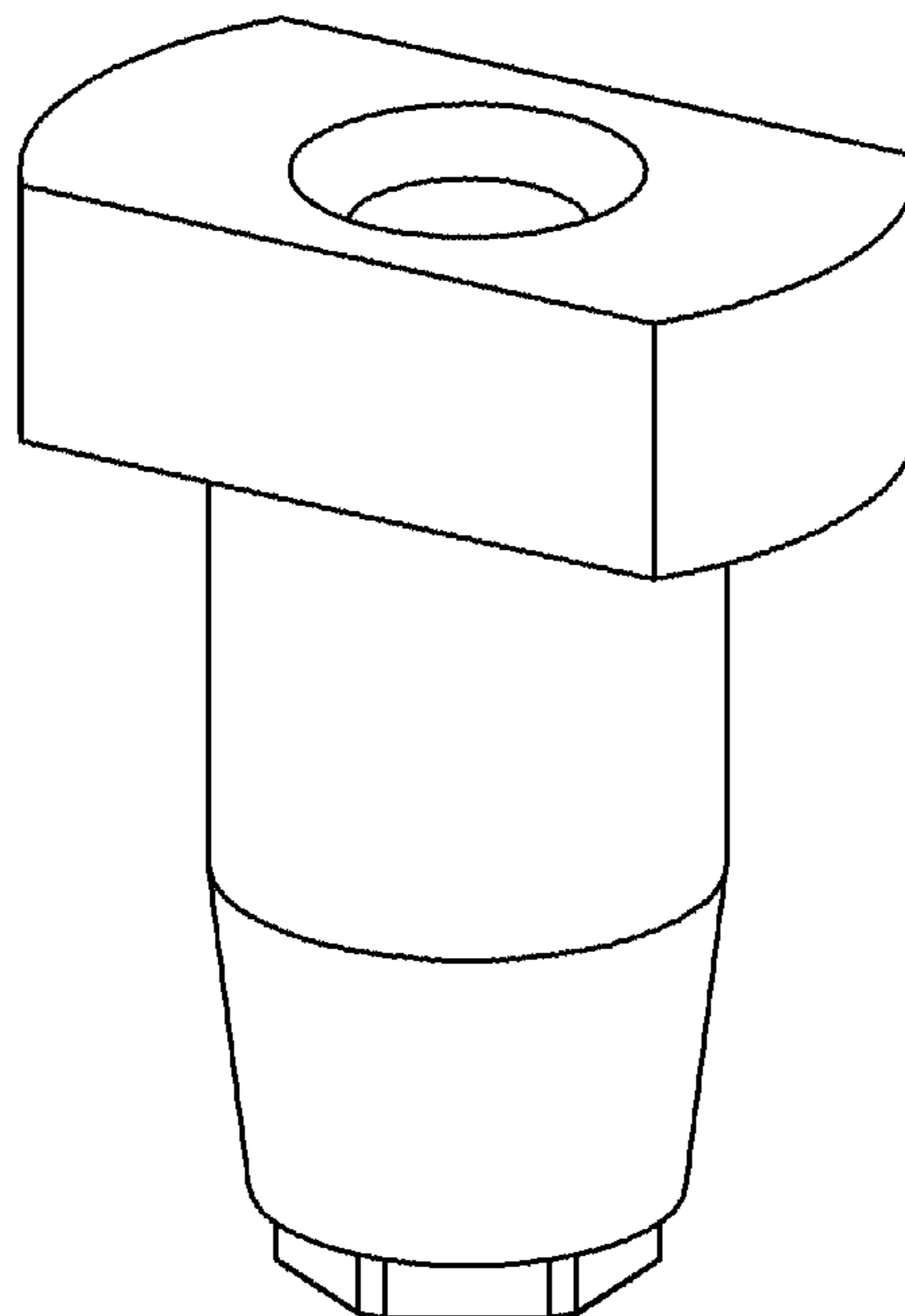
(57) **CLAIM**

The ornamental design for an abutment holder for dental implants, as shown and described.

**DESCRIPTION**

FIG. 1 is a perspective view of an abutment holder for dental implants showing the new design;  
FIG. 2 is a front elevation view thereof;  
FIG. 3 is a back elevation view thereof;  
FIG. 4 is a left side view thereof;  
FIG. 5 is a right side view thereof;  
FIG. 6 is a top plan view thereof;  
FIG. 7 is a bottom plan view thereof; and,  
FIG. 8 is a cross-sectional view thereof taken along line 8-8 in FIG. 6.

**1 Claim, 4 Drawing Sheets**



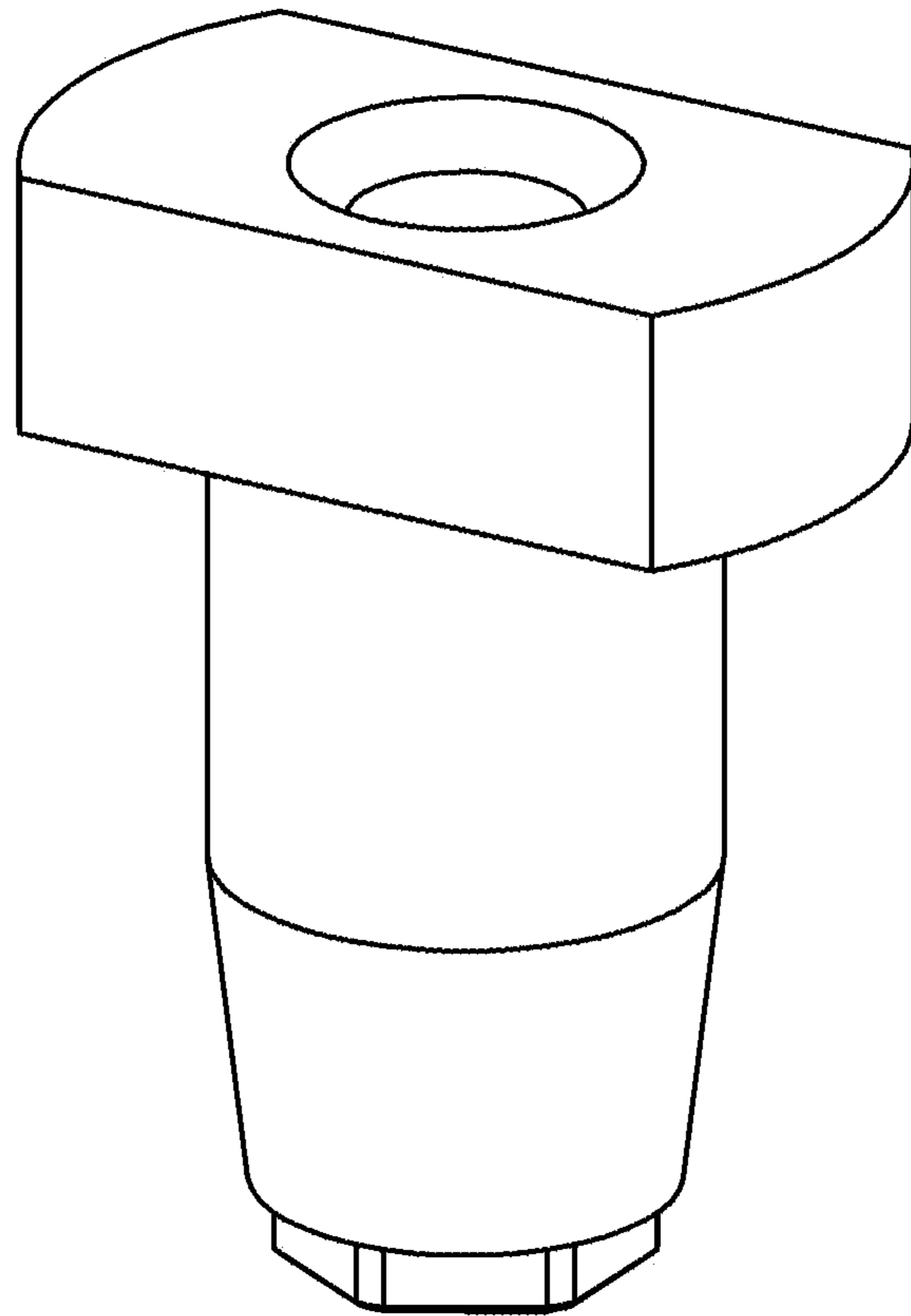


Fig. 1

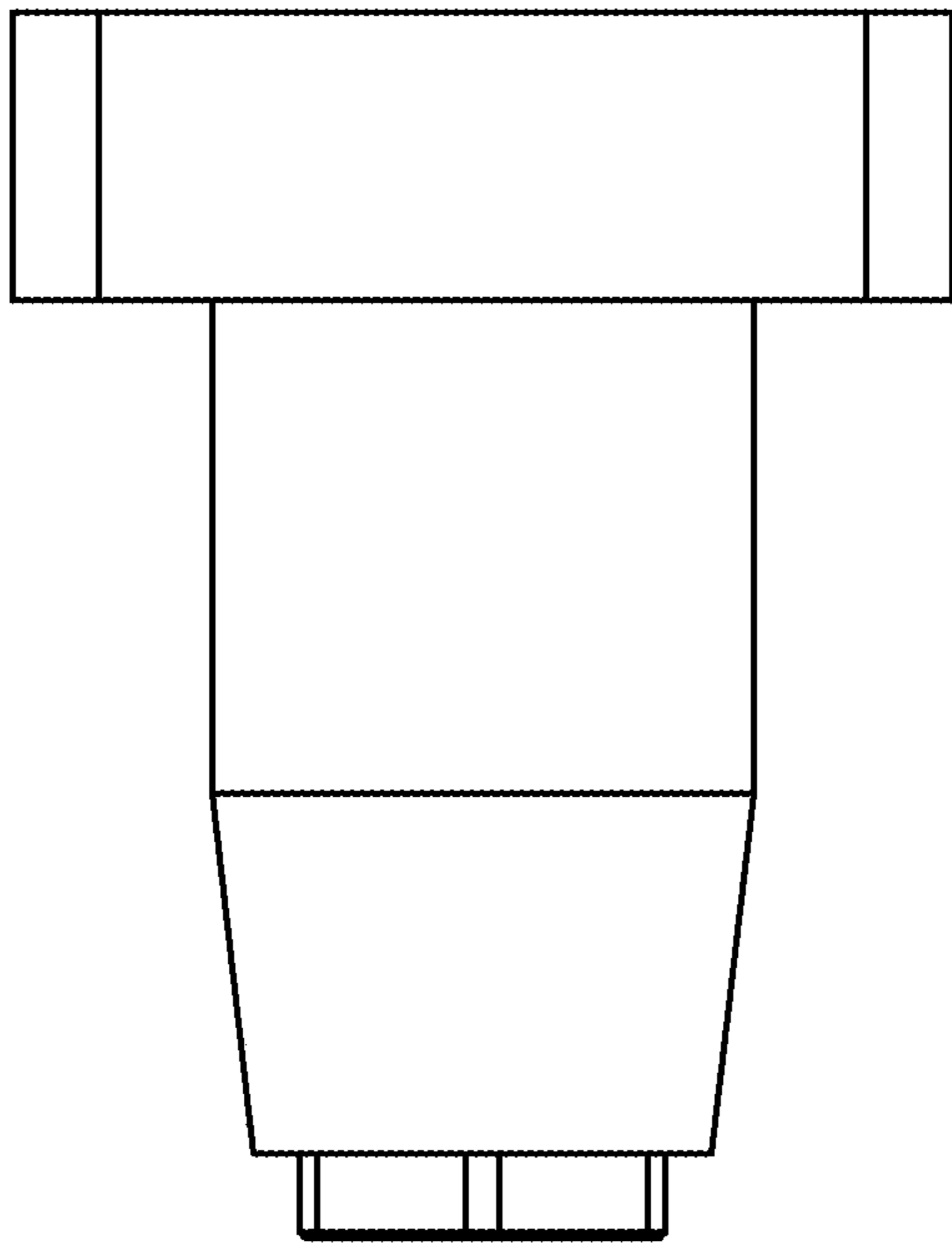


Fig. 2

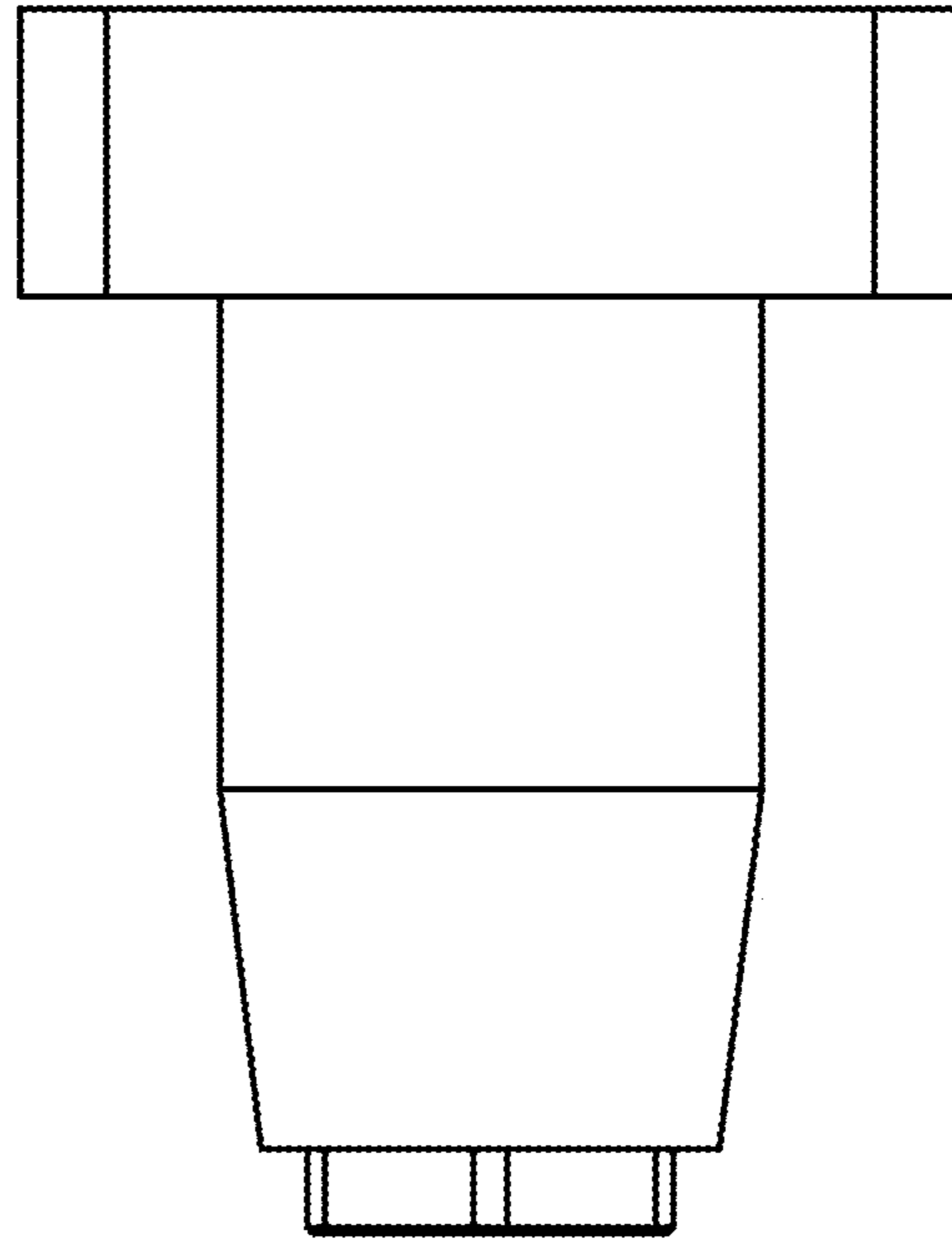


Fig. 3

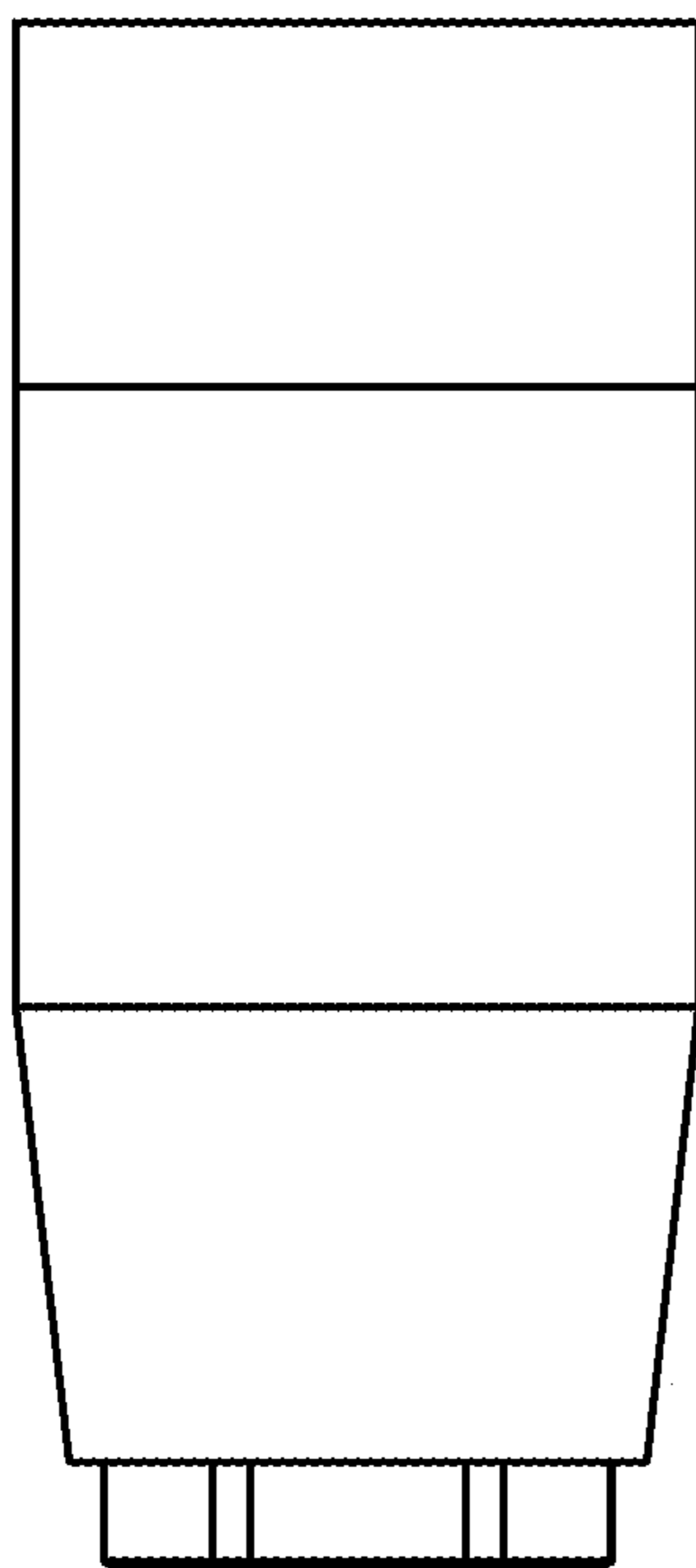


Fig. 4

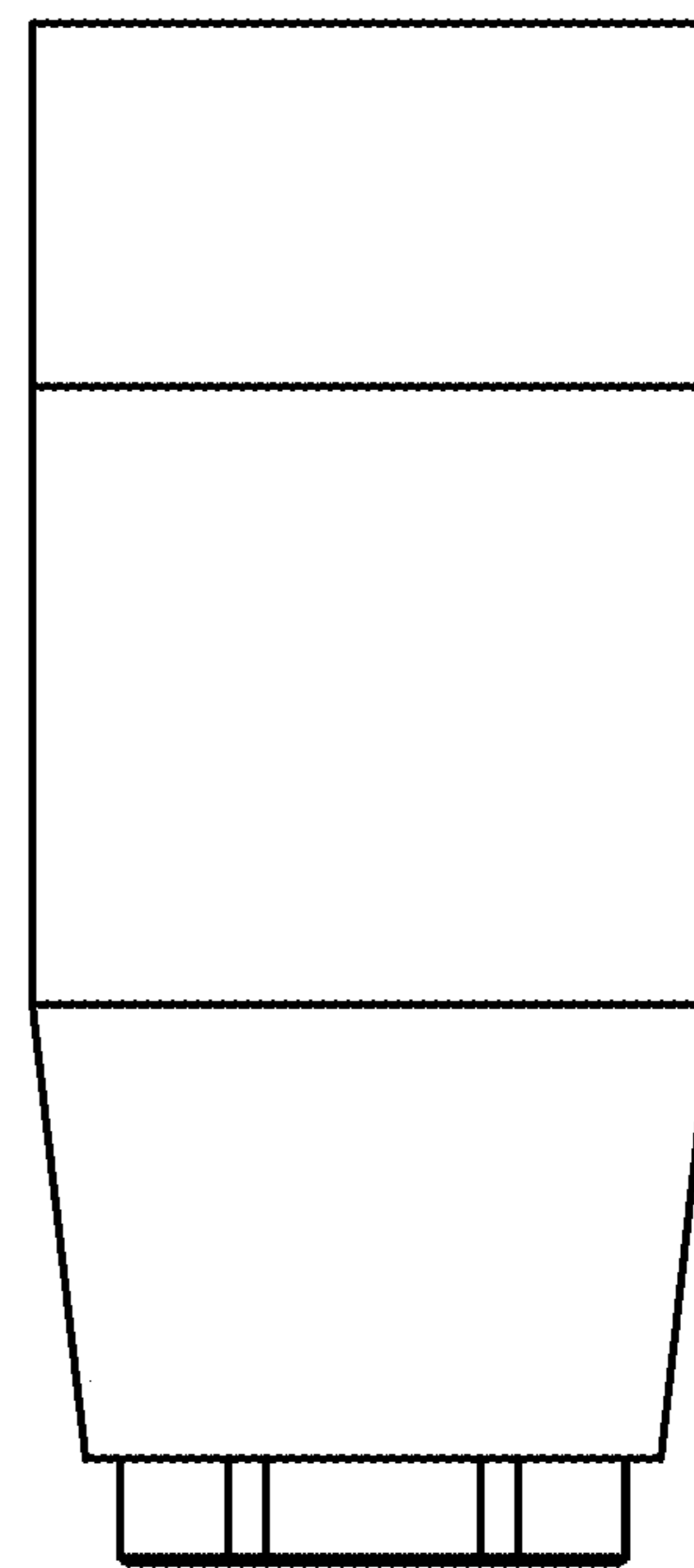


Fig. 5

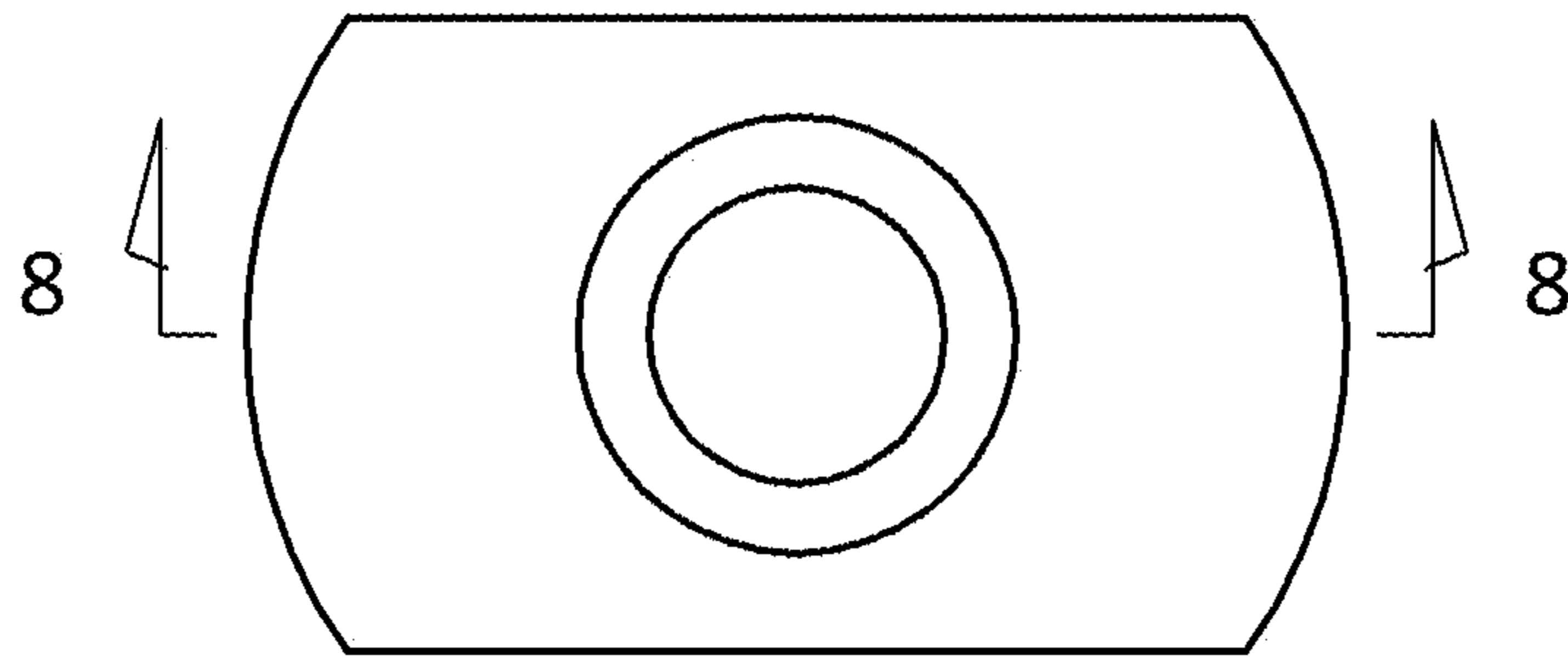


Fig. 6

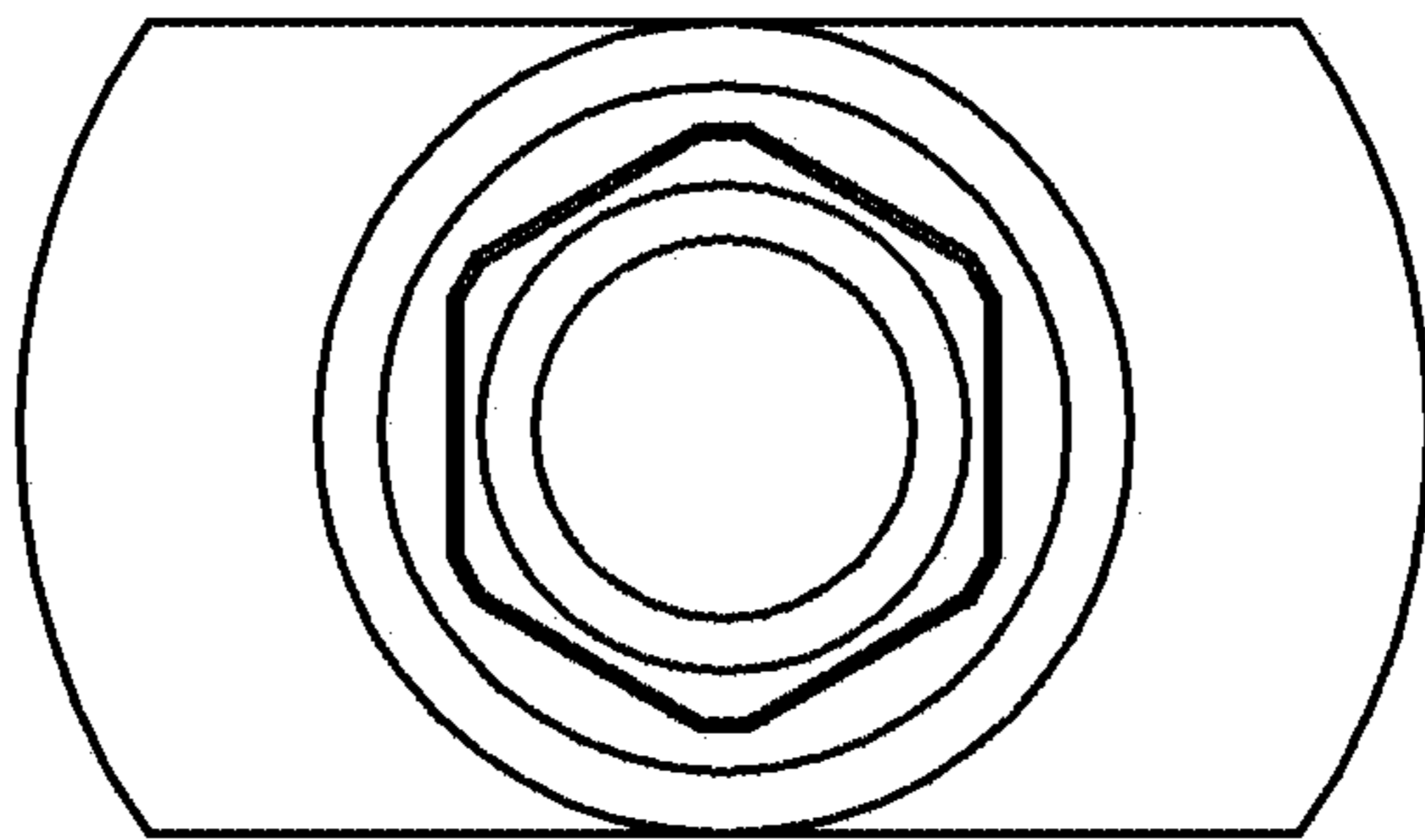


Fig. 7

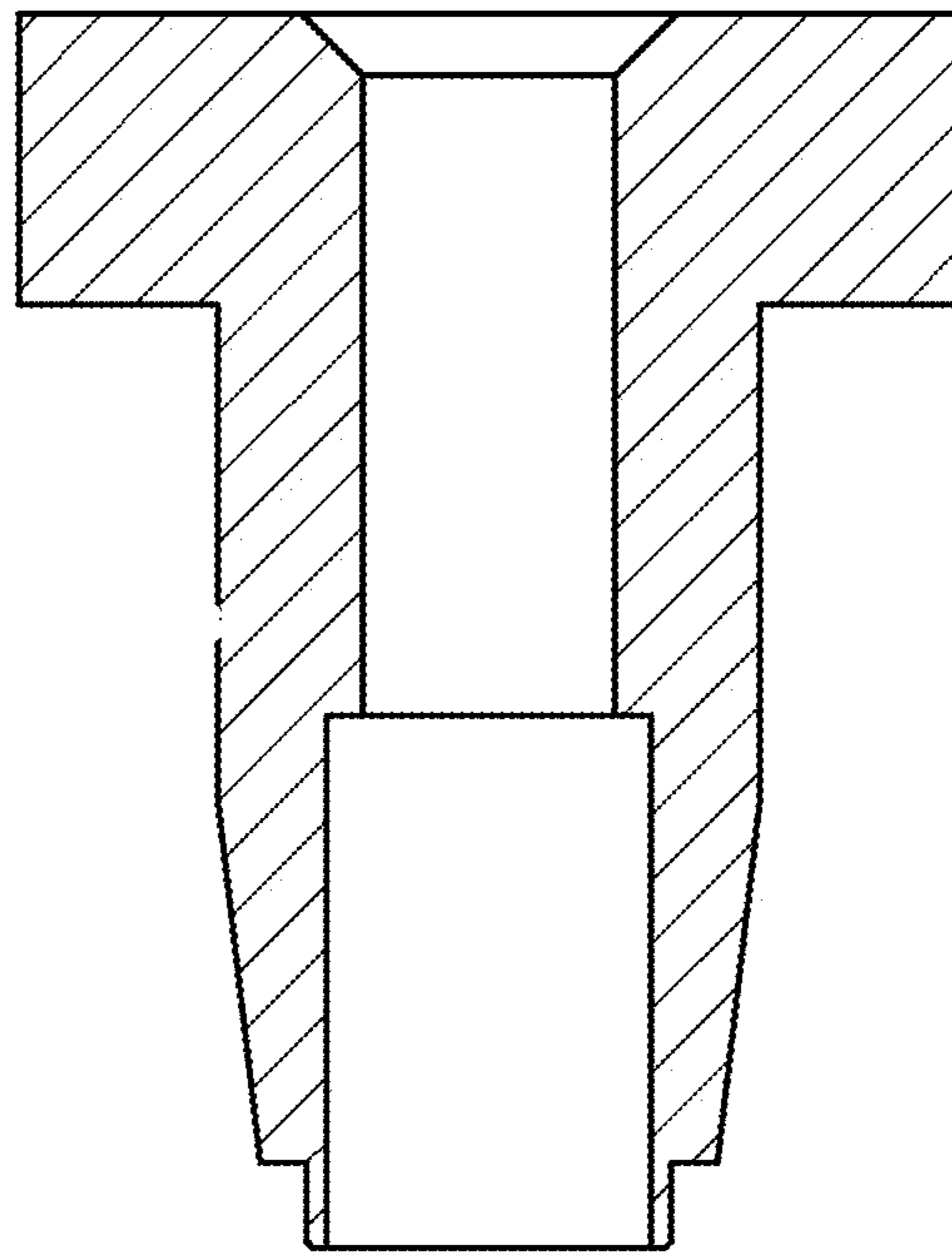


Fig. 8