

US00D967425S

(12) **United States Design Patent**
Kang

(10) **Patent No.:** **US D967,425 S**

(45) **Date of Patent:** **** Oct. 18, 2022**

(54) **EXPANDABLE SPINAL FUSION CAGE**

(71) Applicant: **L&K BIOMED CO., LTD.**, Yongin-si (KR)

(72) Inventor: **Gook Jin Kang**, Seoul (KR)

(**) Term: **15 Years**

(21) Appl. No.: **35/511,400**

(22) Filed: **Aug. 13, 2020**

(80) **Hague Agreement Data**

Int. Filing Date: **Aug. 13, 2020**

Int. Reg. No.: **DM/211106**

Int. Reg. Date: **Aug. 13, 2020**

Int. Reg. Pub. Date: **Feb. 19, 2021**

(30) **Foreign Application Priority Data**

Mar. 9, 2020 (KR) 30-2020-0010582

(51) **LOC (13) Cl.** **24-03**

(52) **U.S. Cl.**
USPC **D24/155**

(58) **Field of Classification Search**

USPC D12/606, 607; D24/155

CPC A61F 2/447; A61F 2/30771; A61F 2/4425

See application file for complete search history.

(56) **References Cited**

U.S. PATENT DOCUMENTS

- D47,672 S * 8/1915 Schweinert D12/607
- D169,353 S * 4/1953 Boyer D12/607
- D201,606 S * 7/1965 McCord D12/607
- D306,420 S * 3/1990 Robinson D12/607
- D365,542 S * 12/1995 Robinson D12/607
- D368,058 S * 3/1996 Robinson D12/607
- D445,736 S * 7/2001 Sheu D12/607
- 6,454,807 B1 * 9/2002 Jackson A61F 2/447
623/17.15
- D690,812 S * 10/2013 Dowdell D24/155

- D693,926 S * 11/2013 Perkins D24/155
- D712,821 S * 9/2014 Puppis D12/607
- D740,424 S * 10/2015 Dacosta D24/155
- D795,398 S * 8/2017 Decaria D23/260
- D839,422 S * 1/2019 Großer D24/130
- 10,588,676 B2 * 3/2020 Kang A61B 17/8695
- 10,660,684 B2 * 5/2020 Kang A61B 17/8605

(Continued)

OTHER PUBLICATIONS

International Journal of Spine Surgery. Current Concepts of Contemporary Expandable Lumbar Interbody Fusion Cage Designs, Part 1: An Editorial on Their Biomechanical Characteristics. Dec. 1, 2020. <https://www.ijssurgery.com/content/14/s3/S63> (Year: 2020).*

Primary Examiner — Darcey E Gottschalk

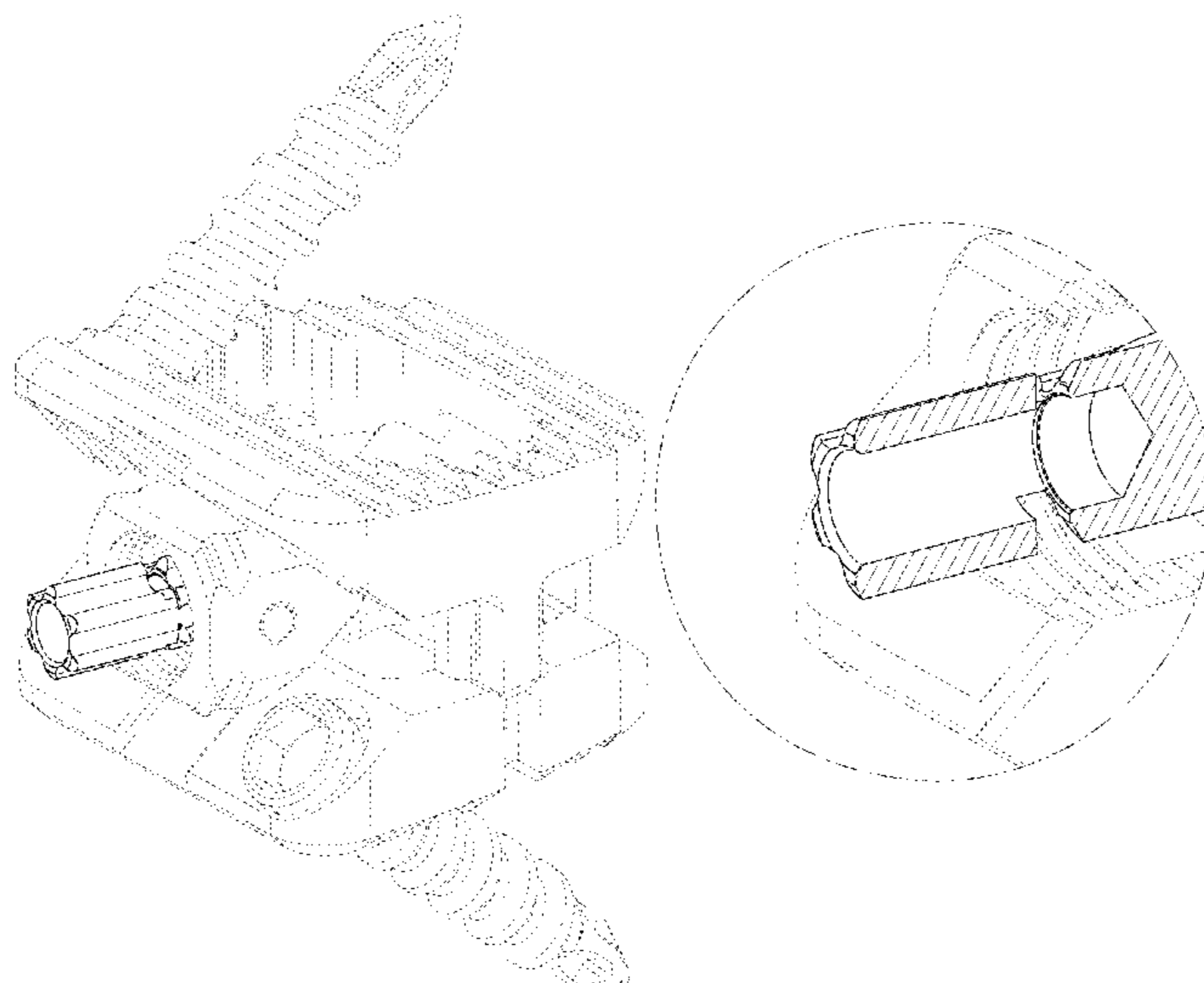
(57) **CLAIM**

The ornamental design for an expandable spinal fusion cage, as shown and described.

DESCRIPTION

- 1. Expandable spinal fusion cage
 - 1.1 : Perspective
 - 1.2 : Front
 - 1.3 : Back
 - 1.4 : Left
 - 1.5 : Right
 - 1.6: Enlarged Top
 - 1.7: Bottom
 - 1.8: Reference view of state of use
 - 1.9: Reference view of state of use
 - 1.10: Cross-sectional reference view showing the state of use taken in the direction of line A-A of Fig. 1.2
 - 1.11: Cross-sectional enlarged reference view showing the state of use taken from the broken line circle of Fig. 1.10
- In the reproductions, the evenly-spaced broken lines show portions of an expandable spinal fusion cage that form no part of the claim; the dash-dot-dash lines represent boundaries of the claimed design and form no part thereof.

1 Claim, 11 Drawing Sheets



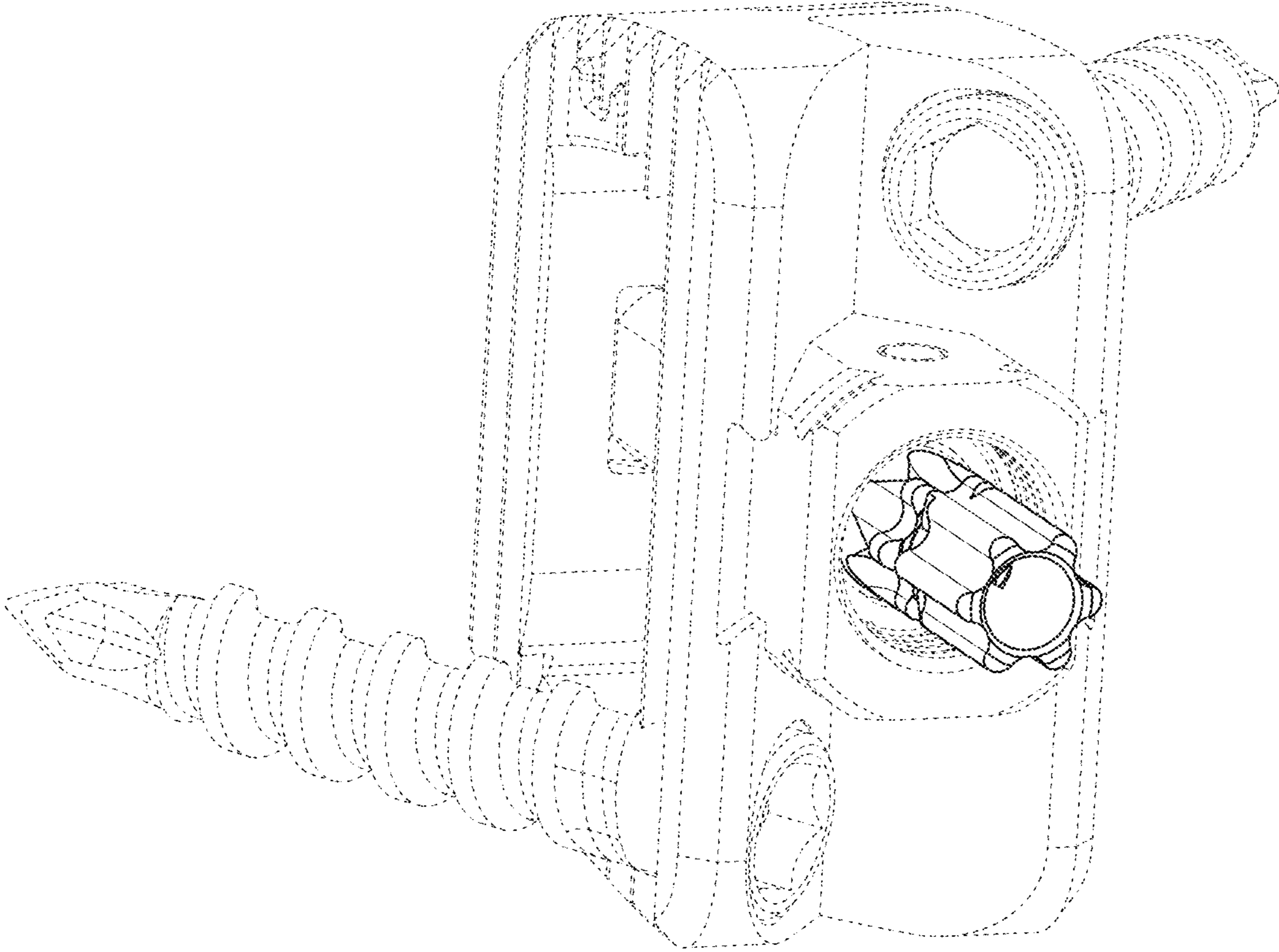
(56)

References Cited

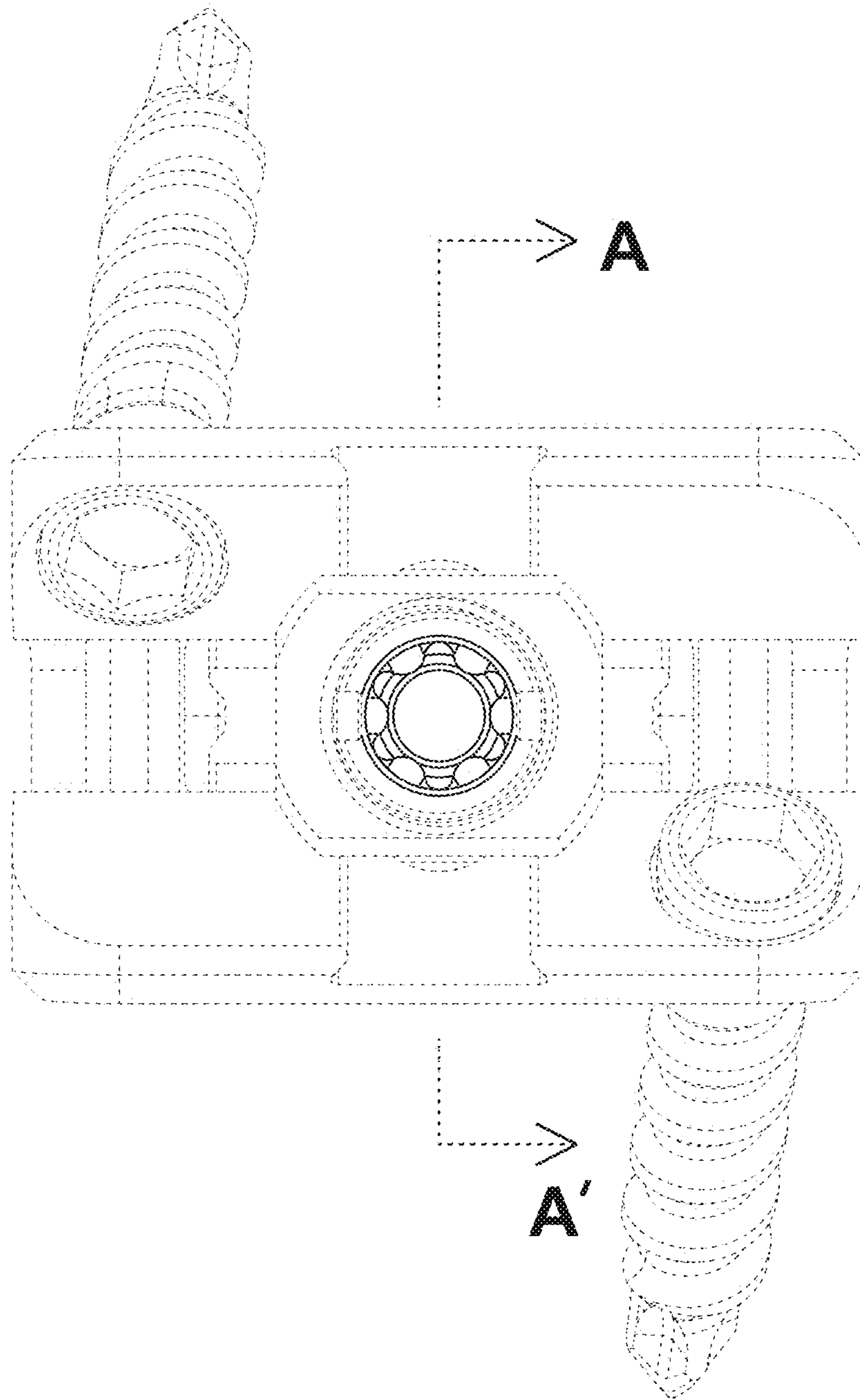
U.S. PATENT DOCUMENTS

11,065,043	B2 *	7/2021	Lee	A61B 17/8042
D951,450	S *	5/2022	Hyeon	D24/155
D956,234	S *	6/2022	Kang	D24/155
2002/0138146	A1 *	9/2002	Jackson	A61F 2/4455
				623/17.15
2008/0021558	A1 *	1/2008	Thramann	A61F 2/447
				623/17.16

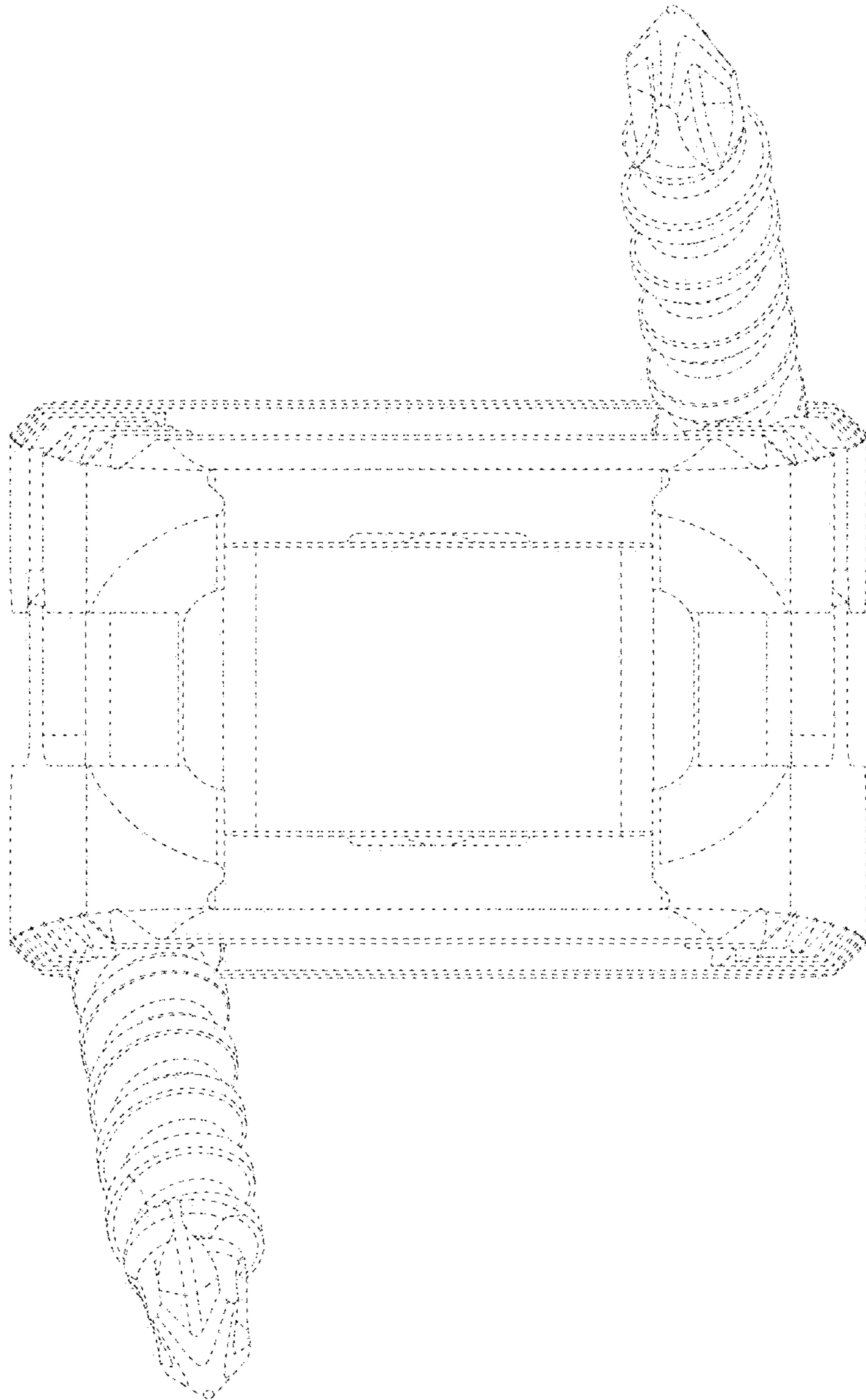
* cited by examiner



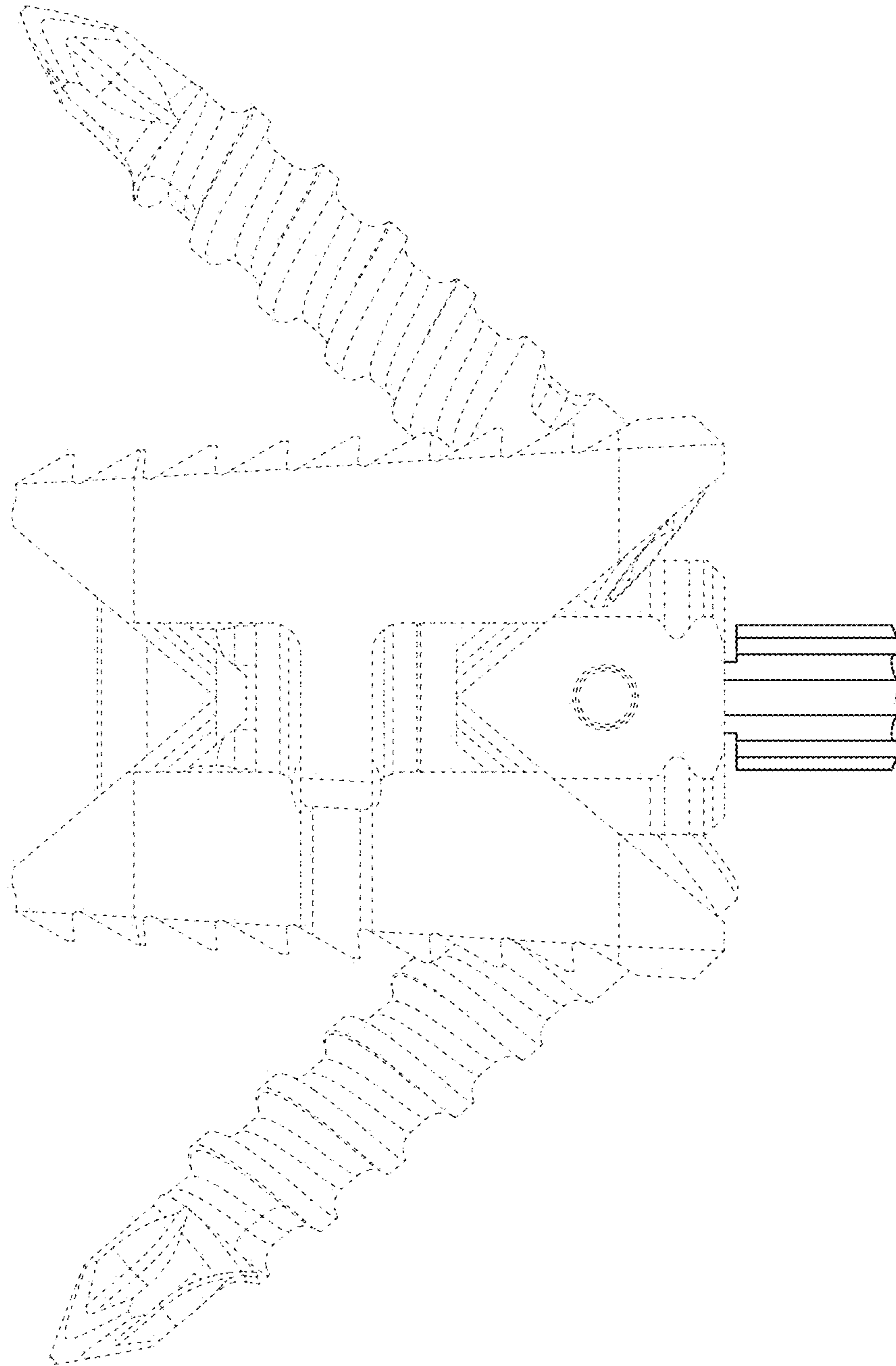
1.1



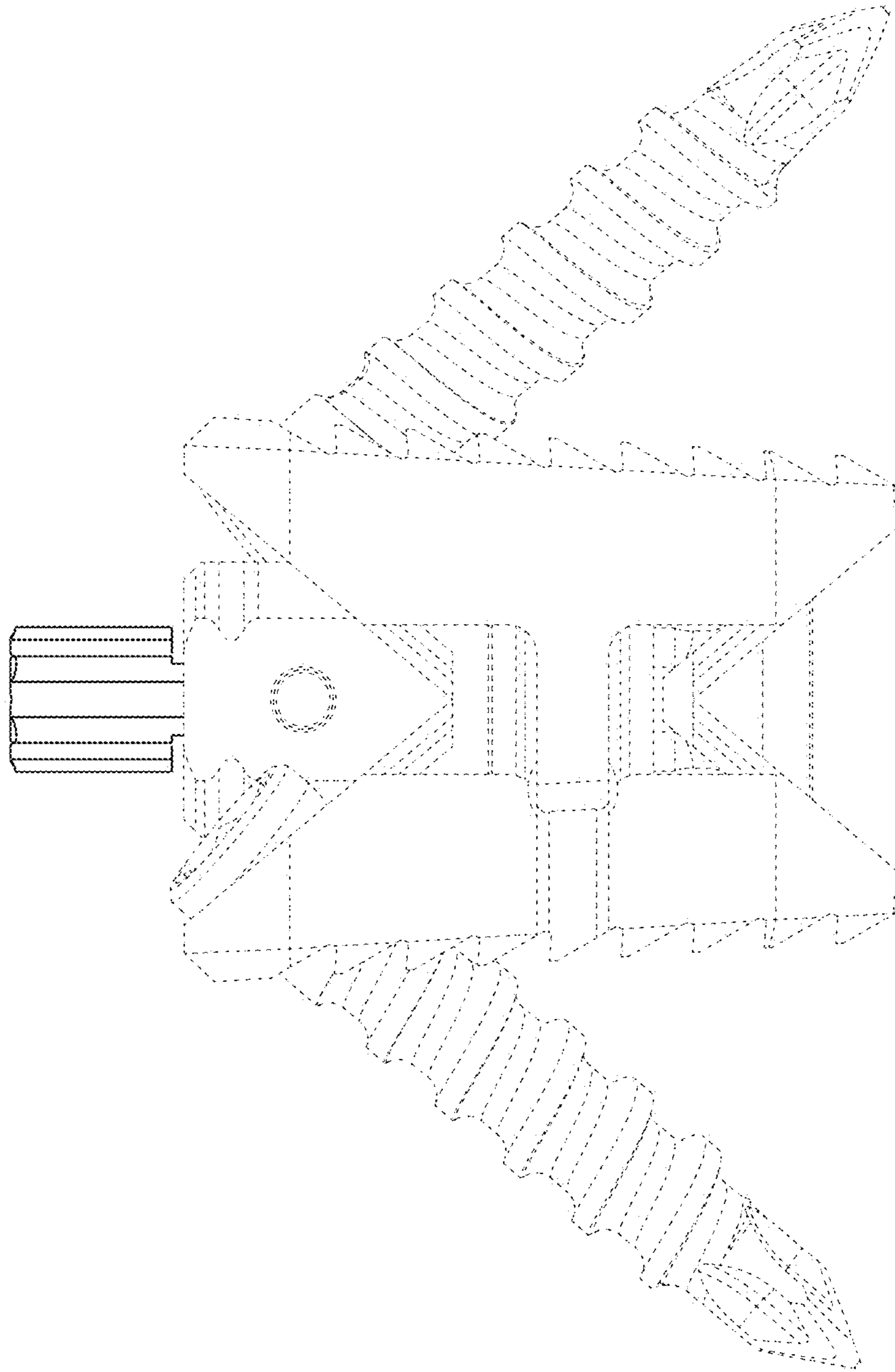
1.2



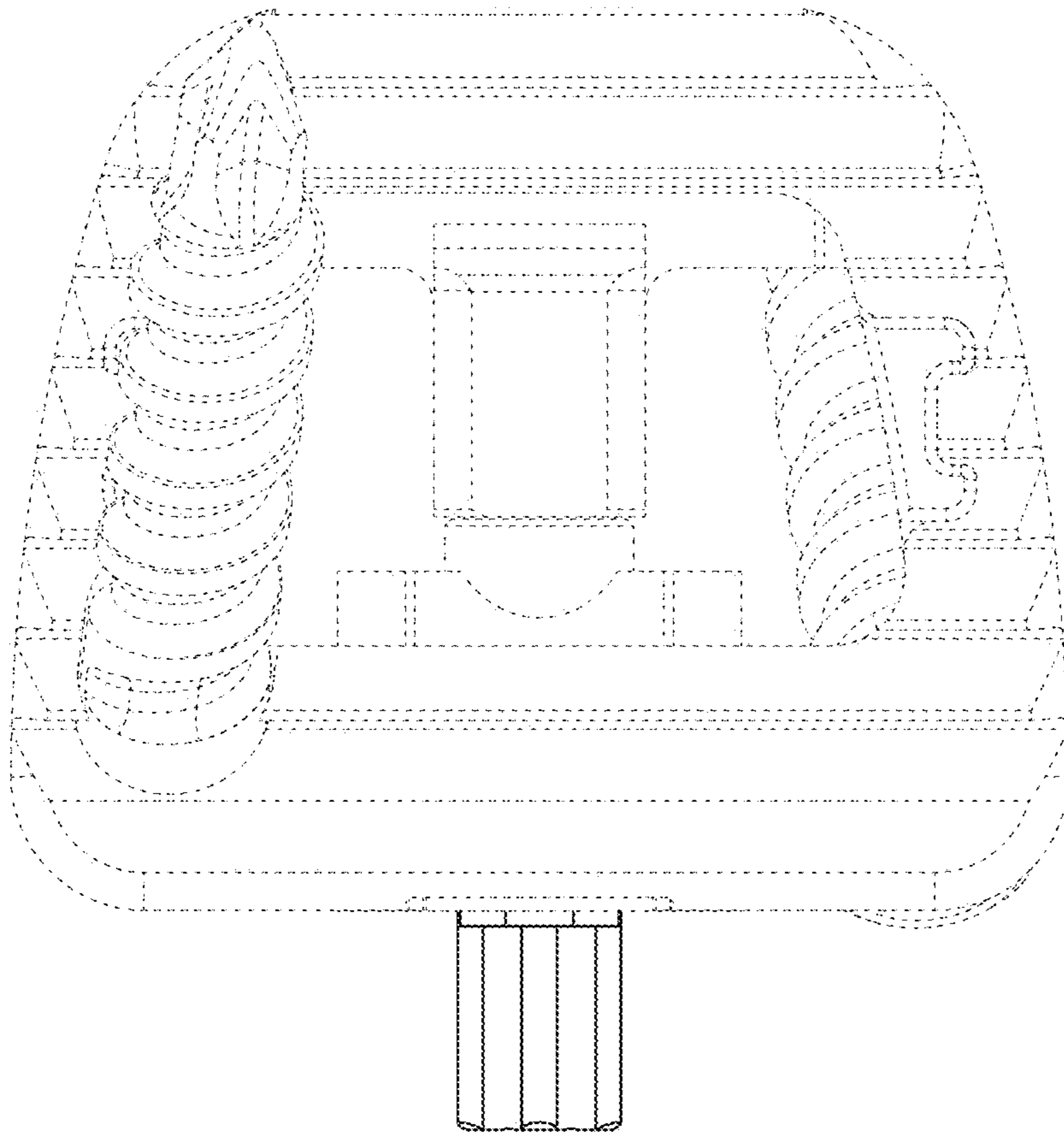
1.3



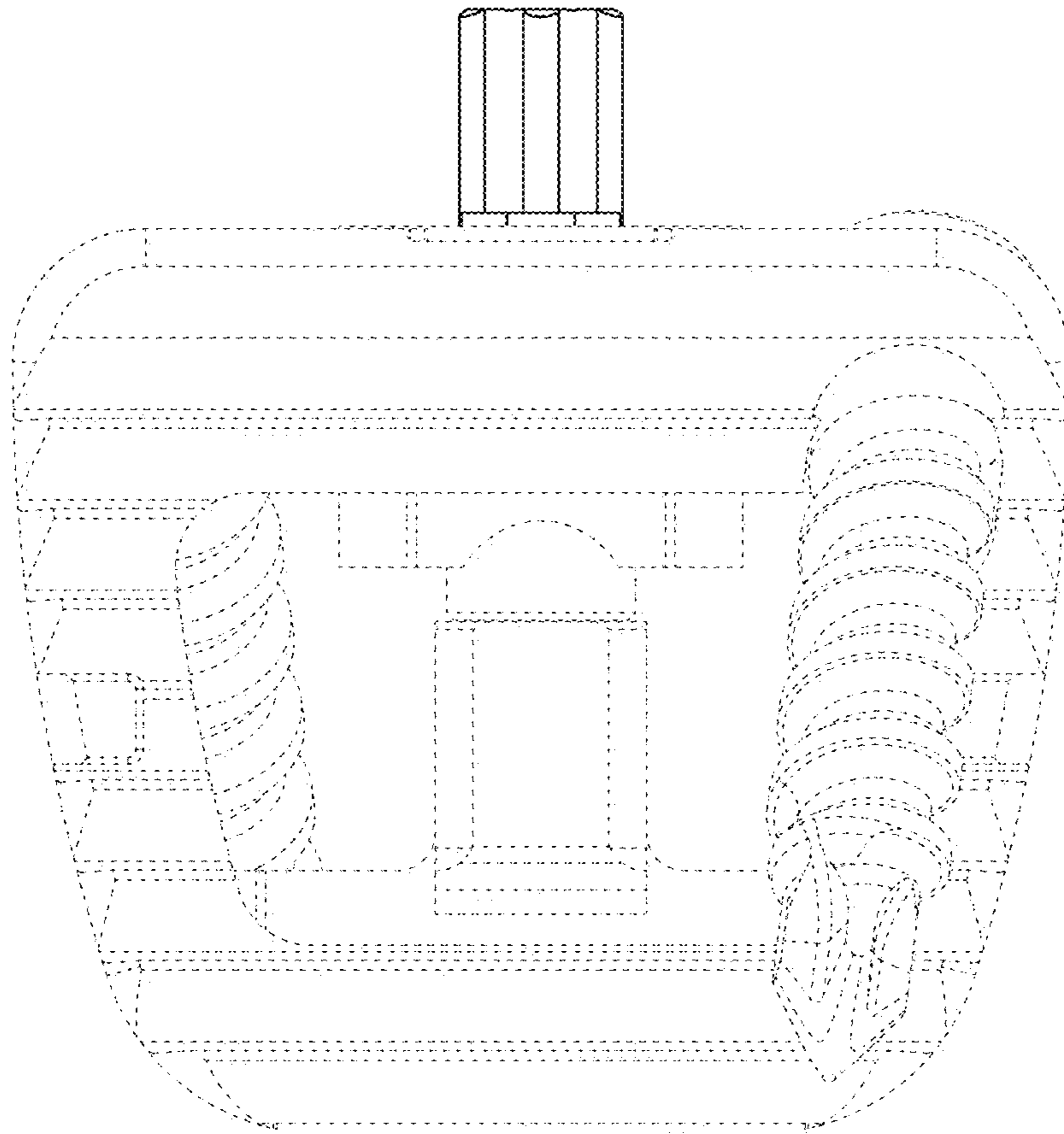
1.4



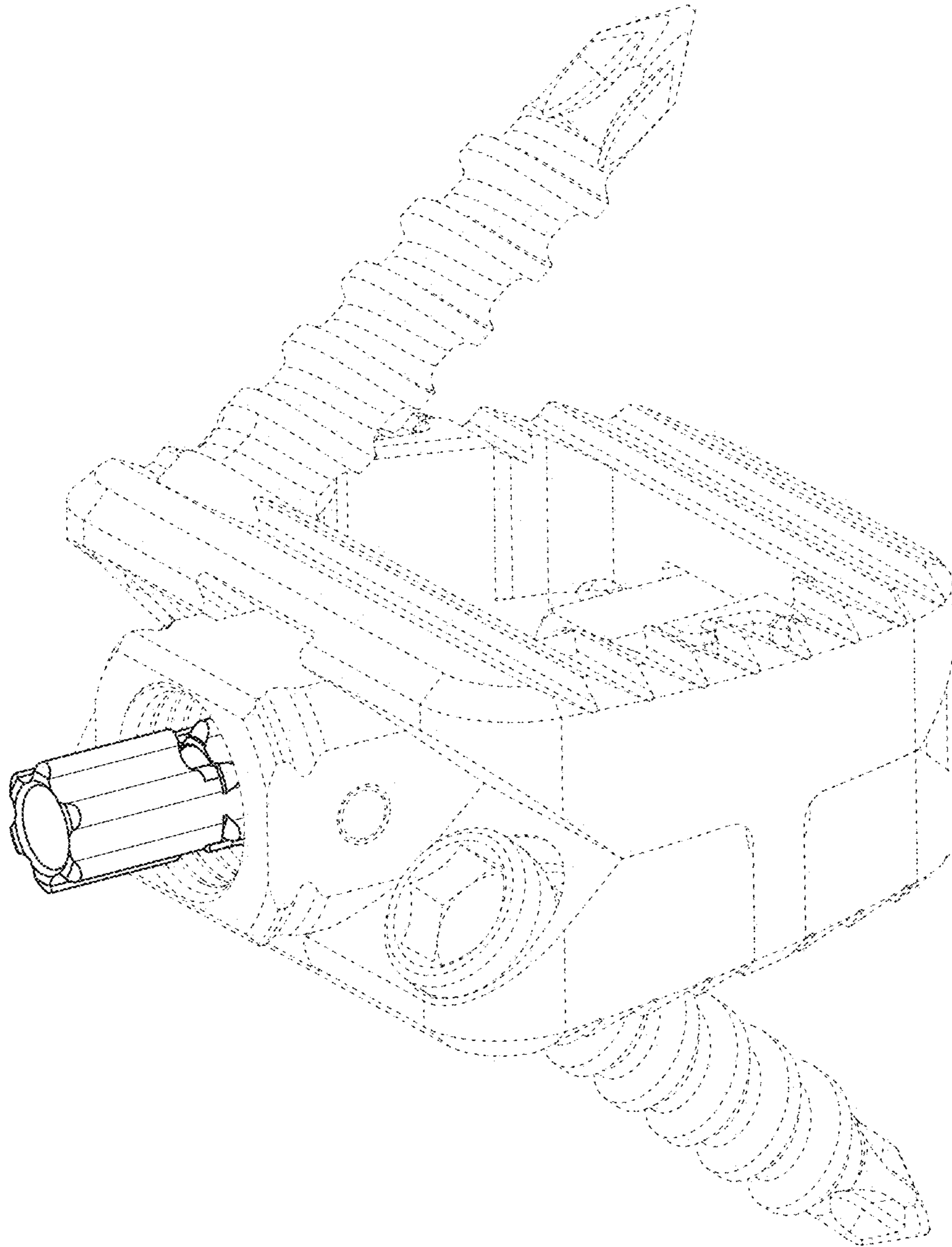
1.5



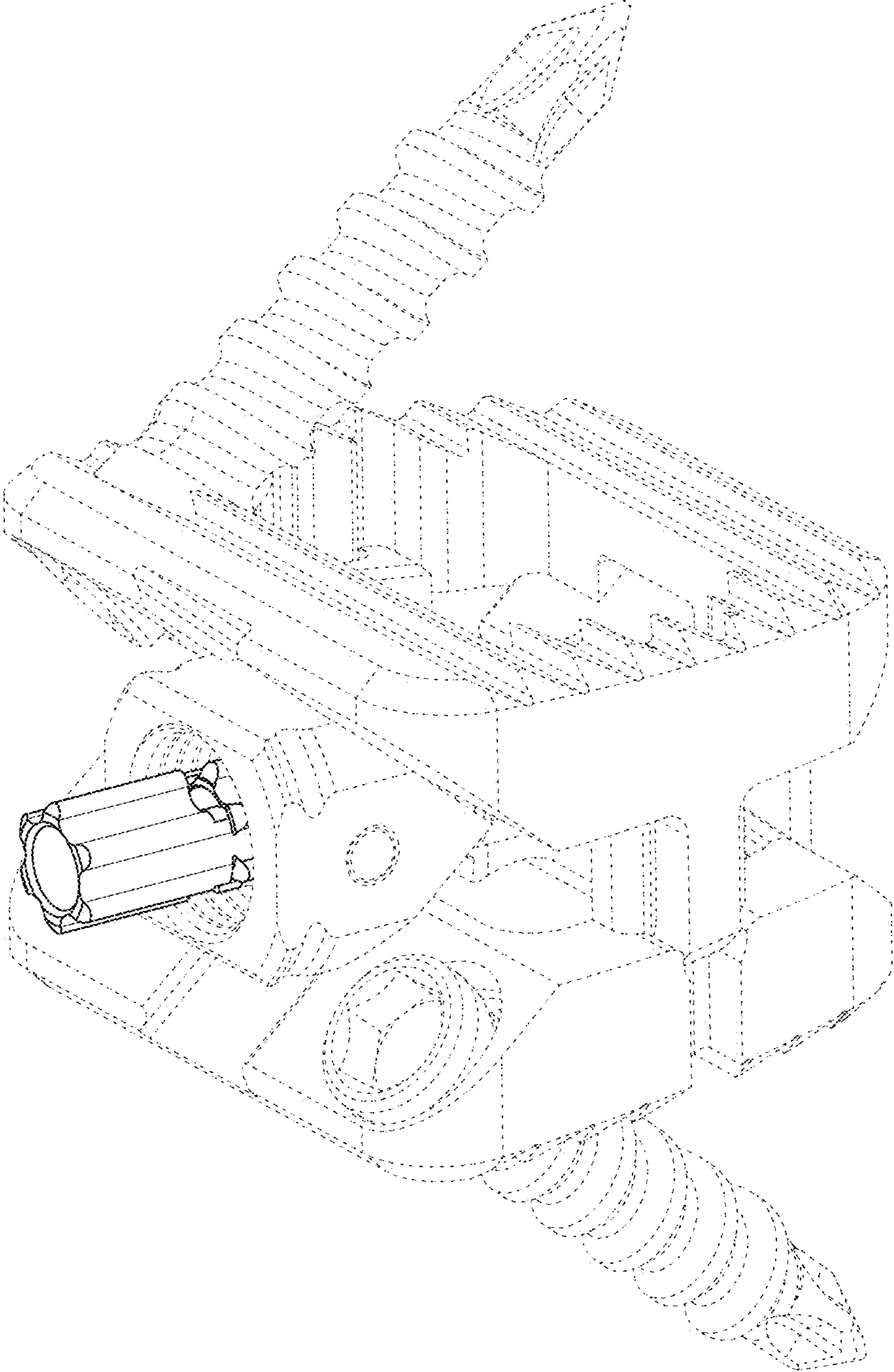
1.6



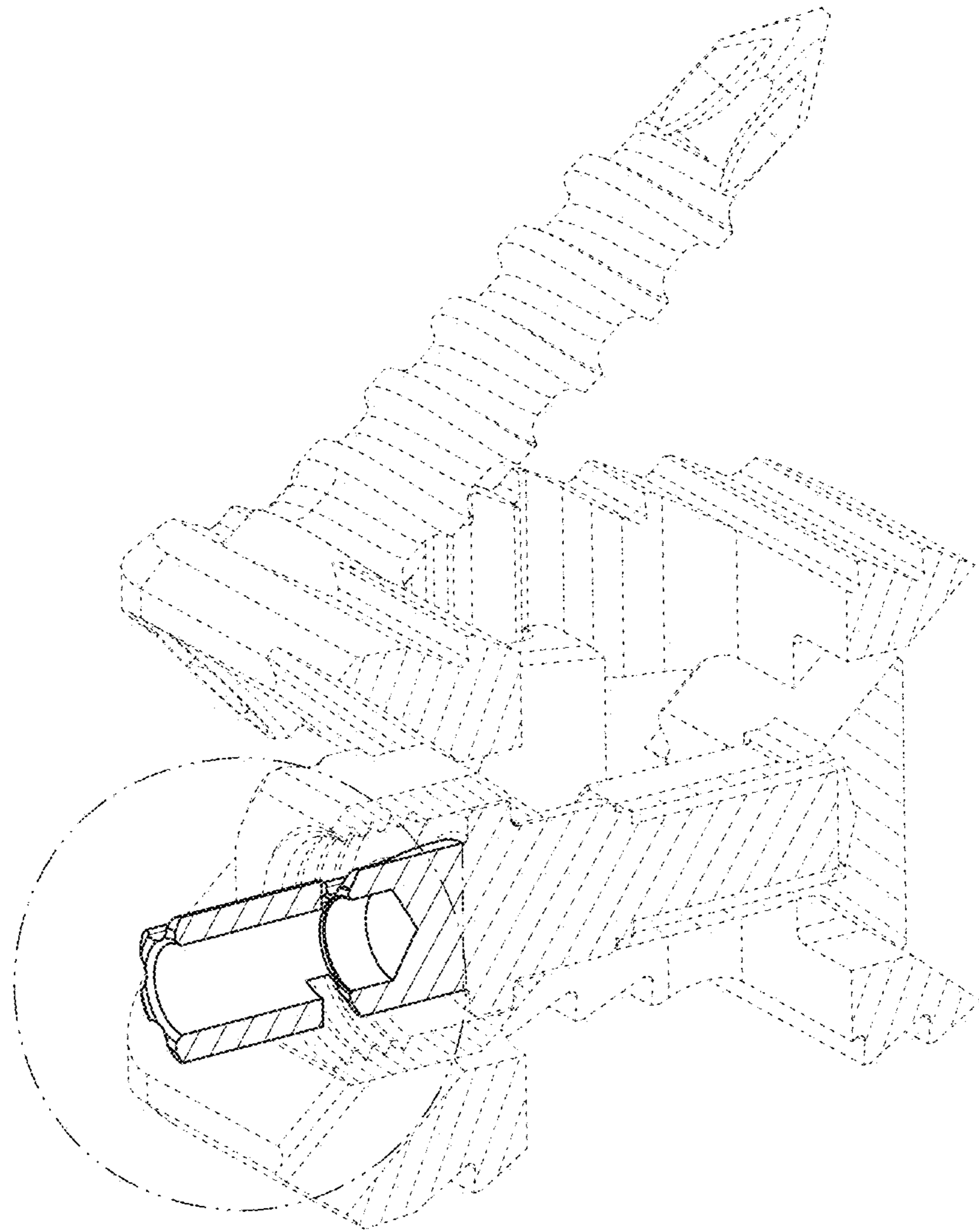
1.7



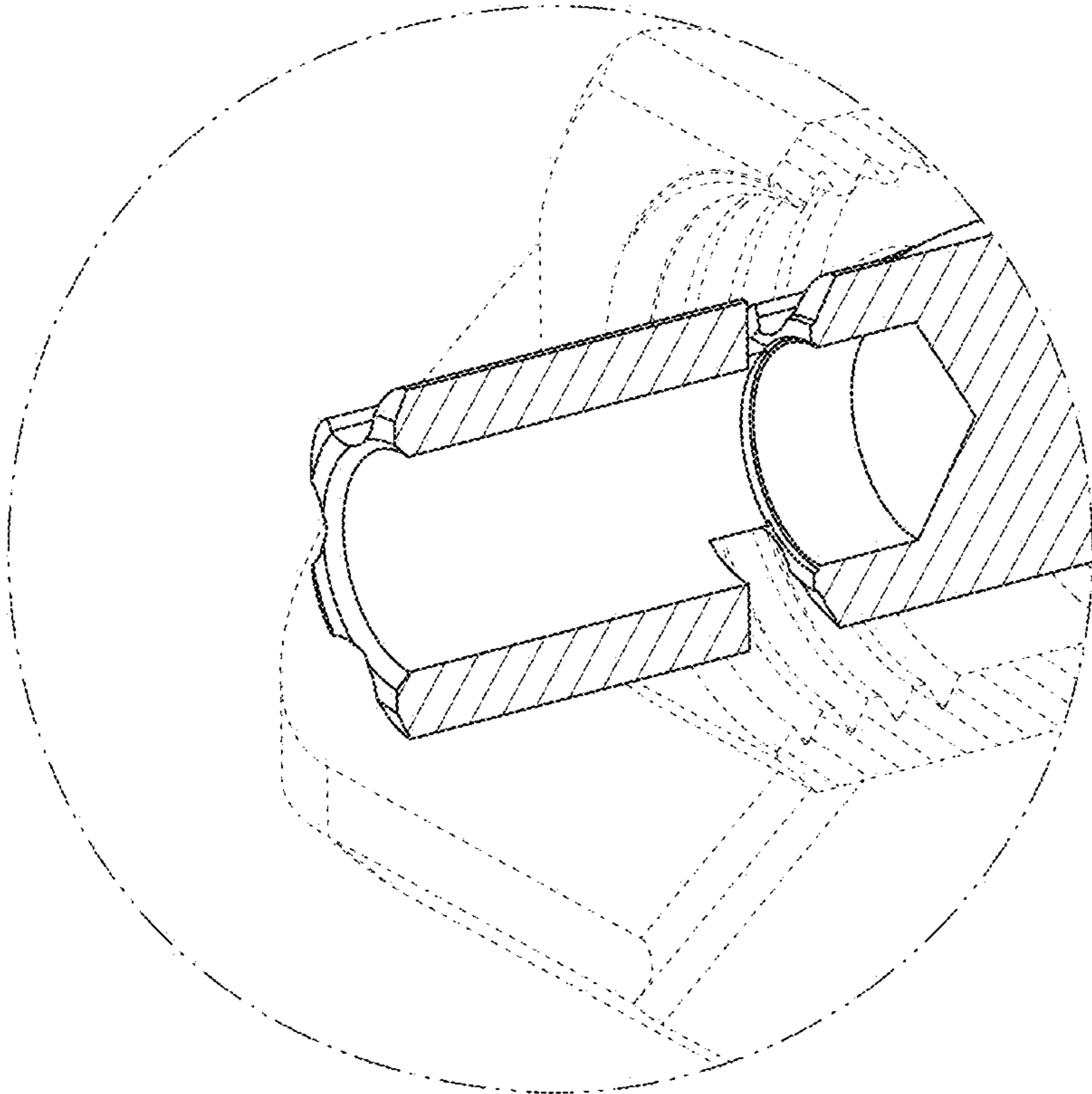
1.8



1.9



1.10



1.11