

US00D967420S

(12) **United States Design Patent** (10) **Patent No.:** **US D967,420 S**  
**Sun** (45) **Date of Patent:** **\*\* Oct. 18, 2022**

(54) **DIGITAL ENDOSCOPE**  
(71) Applicant: **Yingjie Sun**, Irvine, CA (US)  
(72) Inventor: **Yingjie Sun**, Irvine, CA (US)  
(\*\*) Term: **15 Years**  
(21) Appl. No.: **29/652,326**

(22) Filed: **Jul. 21, 2020**  
(51) **LOC (13) Cl.** ..... **24-02**  
(52) **U.S. Cl.**  
USPC ..... **D24/138**; D16/202  
(58) **Field of Classification Search**  
USPC ..... D24/112–114, 108, 130, 127, 187, 133,  
D24/134, 136, 137, 138, 135, 140, 144,  
D24/145, 146, 147, 158, 189; D13/184;  
D14/125, 357–358, 496, 188, 242, 432,  
D14/341, 344  
CPC ..... H04N 21/00; H04N 21/20; H04N 21/40  
See application file for complete search history.

(56) **References Cited**

**U.S. PATENT DOCUMENTS**

D371,198 S *	6/1996	Savage	.....	D24/186
D398,607 S *	9/1998	Hanafsa	.....	D14/191
D400,880 S *	11/1998	Hin	.....	D14/191
D401,238 S *	11/1998	Shiono	.....	D14/191
D402,656 S *	12/1998	Nishii	.....	D14/191
D499,423 S *	12/2004	Bahroocha	.....	D14/203.7
D507,003 S *	7/2005	Pai	.....	D14/203.7
D512,450 S *	12/2005	Jinde	.....	D16/202
D521,527 S *	5/2006	Lee	.....	D14/203.7
D523,446 S *	6/2006	Peng	.....	D14/203.7
D529,045 S *	9/2006	Shin	.....	D14/203.7
D540,356 S *	4/2007	Ina	.....	D16/202
D543,528 S *	5/2007	Kim	.....	D14/138 G
D556,806 S *	12/2007	Horikiri	.....	D16/202
D557,722 S *	12/2007	Horiki	.....	D16/202
D560,683 S *	1/2008	Lee	.....	D14/496
D563,806 S *	3/2008	Jeon	.....	D10/65
D568,362 S *	5/2008	Horikiri	.....	D16/202

D570,890 S *	6/2008	Yoneya	.....	D16/202
D582,916 S *	12/2008	Wada	.....	D14/371
D582,917 S *	12/2008	Wada	.....	D14/371
D583,400 S *	12/2008	Lee	.....	D16/202
D588,178 S *	3/2009	Sakai	.....	D16/202
D588,179 S *	3/2009	Hamamura	.....	D16/202
D589,073 S *	3/2009	Hibi	.....	D16/218
D602,968 S *	10/2009	Sato	.....	D16/202
D611,362 S *	3/2010	Hansen	.....	D10/65
D640,149 S *	6/2011	Lenz	.....	D10/65

(Continued)

**OTHER PUBLICATIONS**

NTS500B Household Inspection Camera, [site visited Mar. 21, 2022], Available from Internet. URL: <https://teslong.com/collections/endoscopes-with-screen/products/nts500b-industrial-endoscope-with-5-inch-hd-ips-screen> (Year: 2022).\*

*Primary Examiner* — T Chase Nelson  
*Assistant Examiner* — Kelly L Gross  
(74) *Attorney, Agent, or Firm* — Dunlap Bennett & Ludwig, PLLC

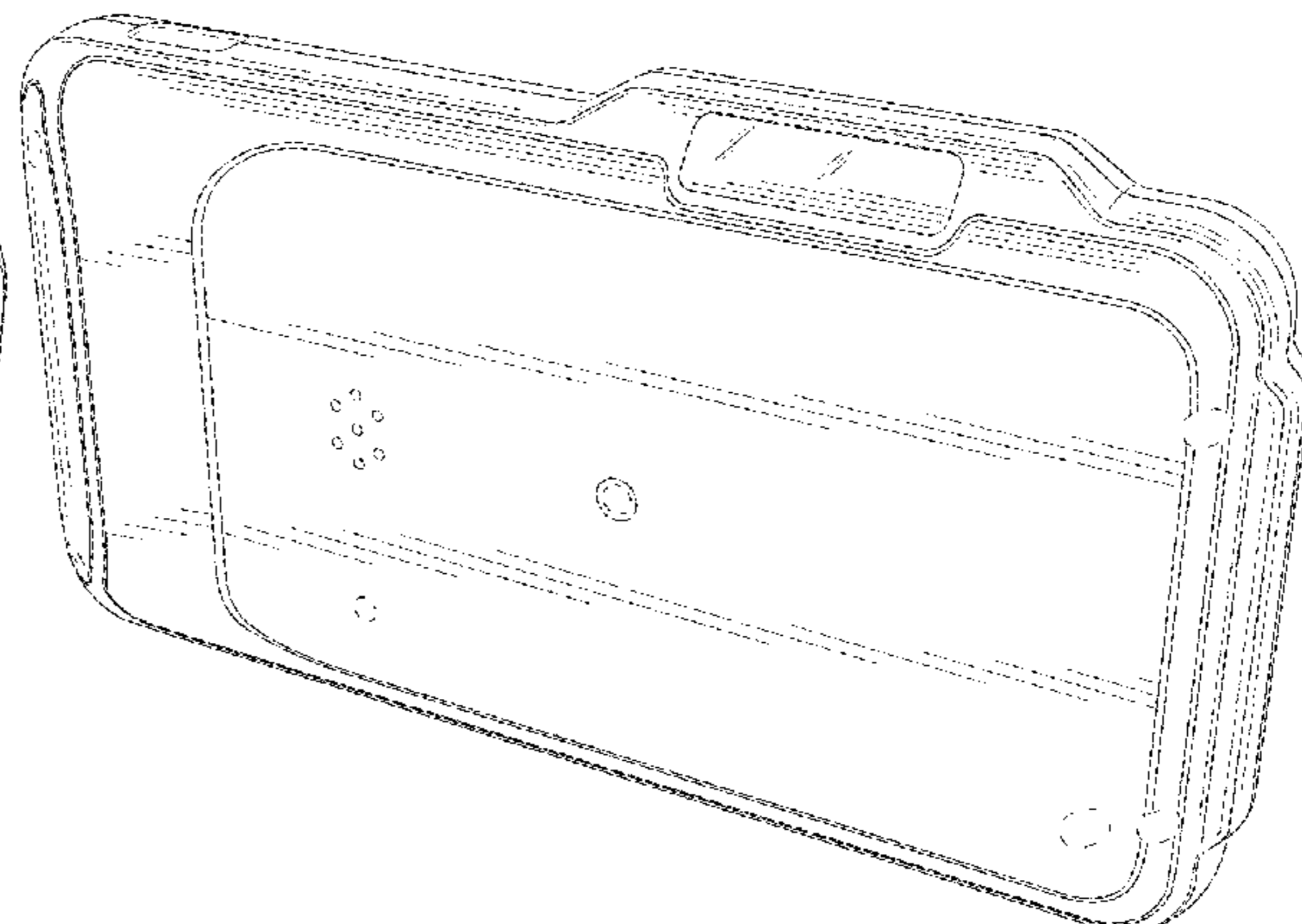
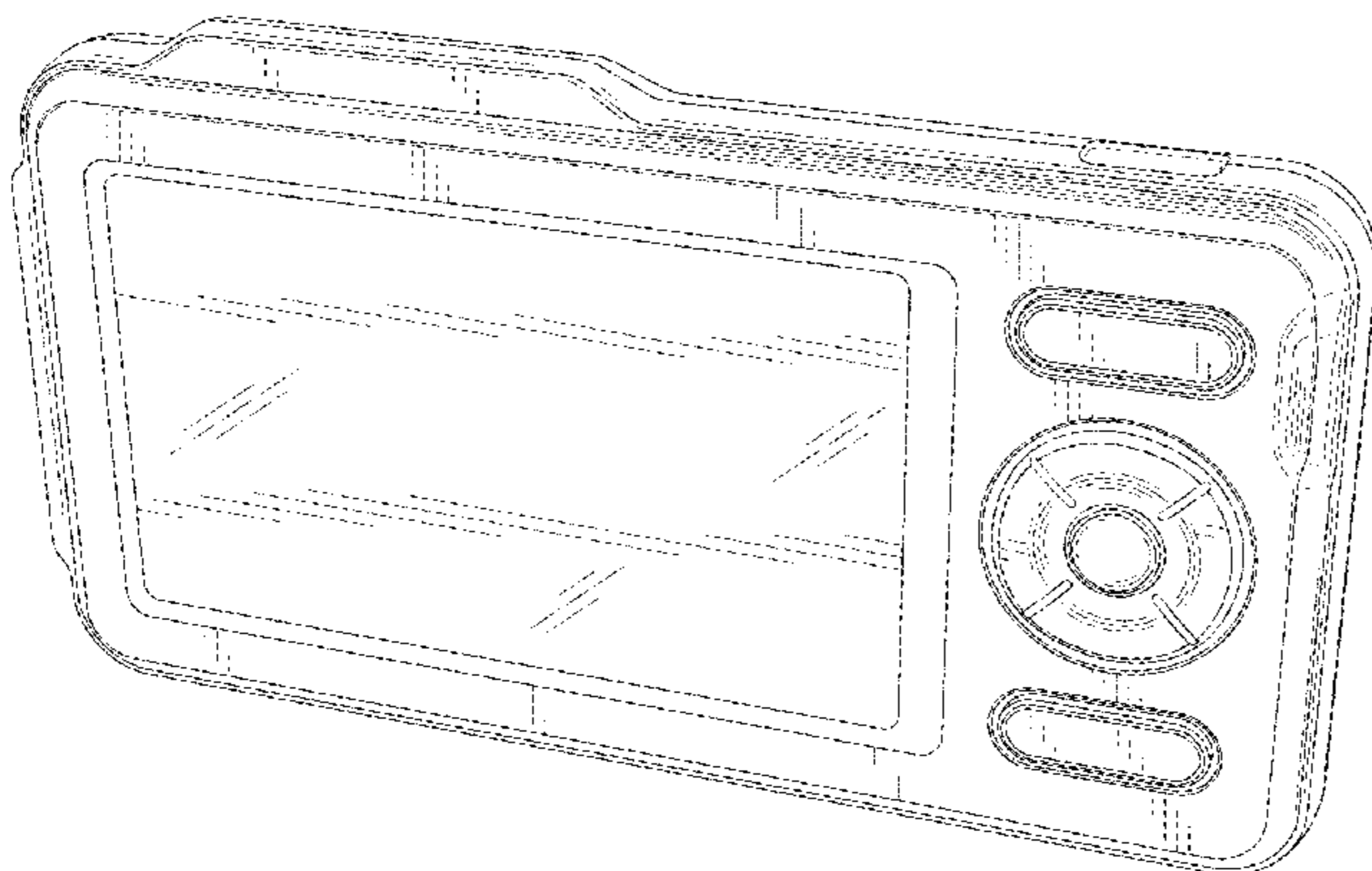
(57) **CLAIM**

The ornamental design for a digital endoscope, as shown and described.

**DESCRIPTION**

FIG. 1 is a top front perspective view of a digital endoscope, showing my new design;  
FIG. 2 is a top rear perspective view thereof;  
FIG. 3 is a front elevation view thereof;  
FIG. 4 is a rear elevation view thereof;  
FIG. 5 is a right elevation view thereof;  
FIG. 6 is a left elevation view thereof;  
FIG. 7 is a top plan view thereof; and,  
FIG. 8 is a bottom plan view thereof.  
The broken lines depict portions of the digital endoscope that form no part of the claimed design.

**1 Claim, 3 Drawing Sheets**



(56)

References Cited

U.S. PATENT DOCUMENTS

D641,389 S *	7/2011	Dastagir	D16/219	D785,564 S *	5/2017	Lee	D13/108
D648,765 S *	11/2011	Tsukamoto	D16/202	D794,803 S *	8/2017	Thom	D24/169
D652,853 S *	1/2012	Tsukamoto	D16/202	D801,525 S *	10/2017	Ohno	D24/138
D656,935 S *	4/2012	Jones	D14/341	D802,132 S *	11/2017	Ohno	D24/138
D664,177 S *	7/2012	Oikawa	D16/202	D806,079 S *	12/2017	Benedetti	D14/440
D672,767 S *	12/2012	Yoneya	D14/341	D811,459 S *	2/2018	Fang	D16/130
D676,046 S *	2/2013	Hatori	D14/341	D813,376 S *	3/2018	Peret	D24/111
D676,441 S *	2/2013	Choi	D14/341	D813,407 S *	3/2018	Chen	D24/215
D677,295 S *	3/2013	Fujita	D16/202	D813,408 S *	3/2018	Chen	D24/215
D682,334 S *	5/2013	InShik	D16/202	D815,730 S *	4/2018	Collins	D24/111
D682,335 S *	5/2013	Kim	D16/202	D819,811 S *	6/2018	Ohno	D24/138
D683,780 S *	6/2013	Sakai	D16/202	D820,446 S *	6/2018	Ohno	D24/138
D687,825 S *	8/2013	Lee	D14/341	D820,987 S *	6/2018	Tam	D24/163
D687,826 S *	8/2013	Jeon	D14/341	D822,065 S *	7/2018	Kang	D14/203.3
D687,827 S *	8/2013	Song	D14/341	D829,212 S *	9/2018	Bidwell	D14/426
D691,131 S *	10/2013	Brown	D14/341	D836,074 S *	12/2018	Sun	D14/125
D698,311 S *	1/2014	Salzman	D13/108	D836,788 S *	12/2018	Peng	D24/200
D700,084 S *	2/2014	Hsu	D10/70	D842,488 S *	3/2019	Gan	D24/215
D701,551 S *	3/2014	Inoue	D16/202	D842,736 S *	3/2019	Laurino	D24/232
D712,950 S *	9/2014	Kwon	D16/202	D844,607 S *	4/2019	Fredette	D18/4.6
D719,992 S *	12/2014	Peng	D16/202	D845,298 S *	4/2019	Wang	D18/4.6
D722,332 S *	2/2015	Kobayashi	D16/202	D849,076 S *	5/2019	Bertram	D16/202
D723,083 S *	2/2015	Jang	D16/202	D850,446 S *	6/2019	Wang	D18/4.6
D723,088 S *	2/2015	Jang	D16/202	D852,771 S *	7/2019	Hu	D14/155
D724,223 S *	3/2015	Nishiyama	D24/169	D853,583 S *	7/2019	Pizzochero	D24/138
D727,386 S *	4/2015	Kobayashi	D16/202	D858,464 S *	9/2019	Li	D13/168
D732,682 S *	6/2015	Porat	D24/215	D861,510 S *	10/2019	Wang	D16/208
D734,803 S *	7/2015	Hallgren	D16/202	D885,215 S *	5/2020	Dewey	D10/78
D737,355 S *	8/2015	Tainaka	D16/202	D887,555 S *	6/2020	Uda	D24/170
D742,310 S *	11/2015	Yen	D13/108	D888,247 S *	6/2020	Takahashi	D24/158
D742,858 S *	11/2015	Morisawa	D14/218	D897,307 S *	9/2020	Kawatake	D14/158
D756,526 S *	5/2016	Ho	D24/200	D899,588 S *	10/2020	Harkin	D24/127
D757,292 S *	5/2016	Chen	D24/215	D907,097 S *	1/2021	Suurmeijer	D16/206
D758,605 S *	6/2016	Chen	D24/215	D907,232 S *	1/2021	Reber	D24/216
D758,606 S *	6/2016	Chen	D24/215	D908,157 S *	1/2021	Sun	D14/138 G
D758,656 S *	6/2016	Freshwater	D27/163	D909,982 S *	2/2021	Kawatake	D14/158
D759,262 S *	6/2016	Chen	D24/215	D912,903 S *	3/2021	Fu	D28/58
D759,263 S *	6/2016	Chen	D24/215	D919,093 S *	5/2021	Takahashi	D24/158
D760,913 S *	7/2016	Douglas	D24/210	D920,518 S *	5/2021	Takahashi	D24/158
D762,872 S *	8/2016	Chen	D24/215	D927,004 S *	8/2021	Peng	D24/200
D763,342 S *	8/2016	Kim	D16/219	D930,294 S *	9/2021	Jia	D10/104.1
D773,545 S *	12/2016	Nikaido	D16/202	D934,417 S *	10/2021	Harkin	D24/127
D775,728 S *	1/2017	Cavada	D24/144	D935,615 S *	11/2021	Ben Dor	D24/186
D779,677 S *	2/2017	Chen	D24/215	D936,827 S *	11/2021	Wang	D24/138
				D940,094 S *	1/2022	Chen	D14/138 G

\* cited by examiner

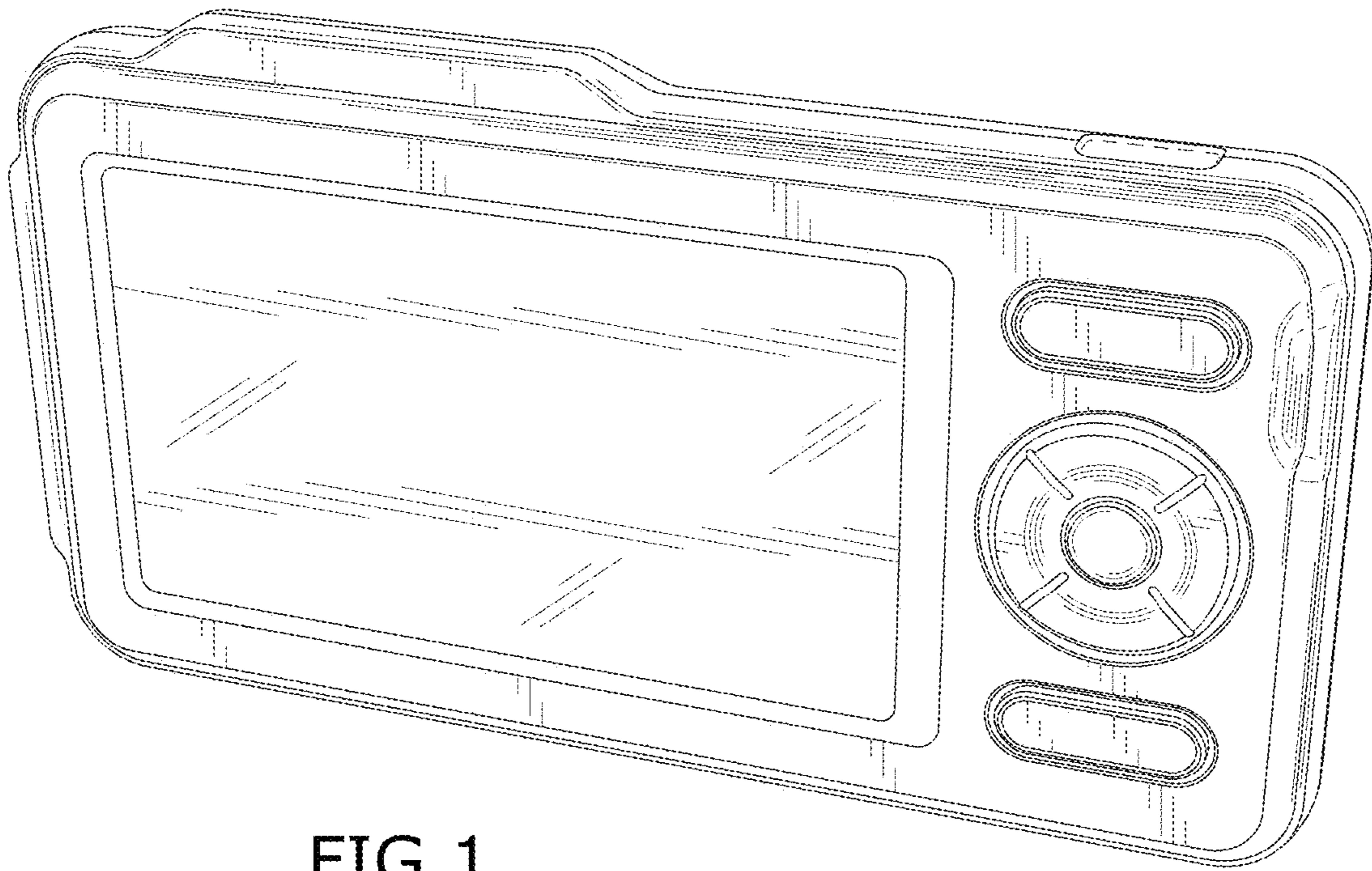


FIG. 1

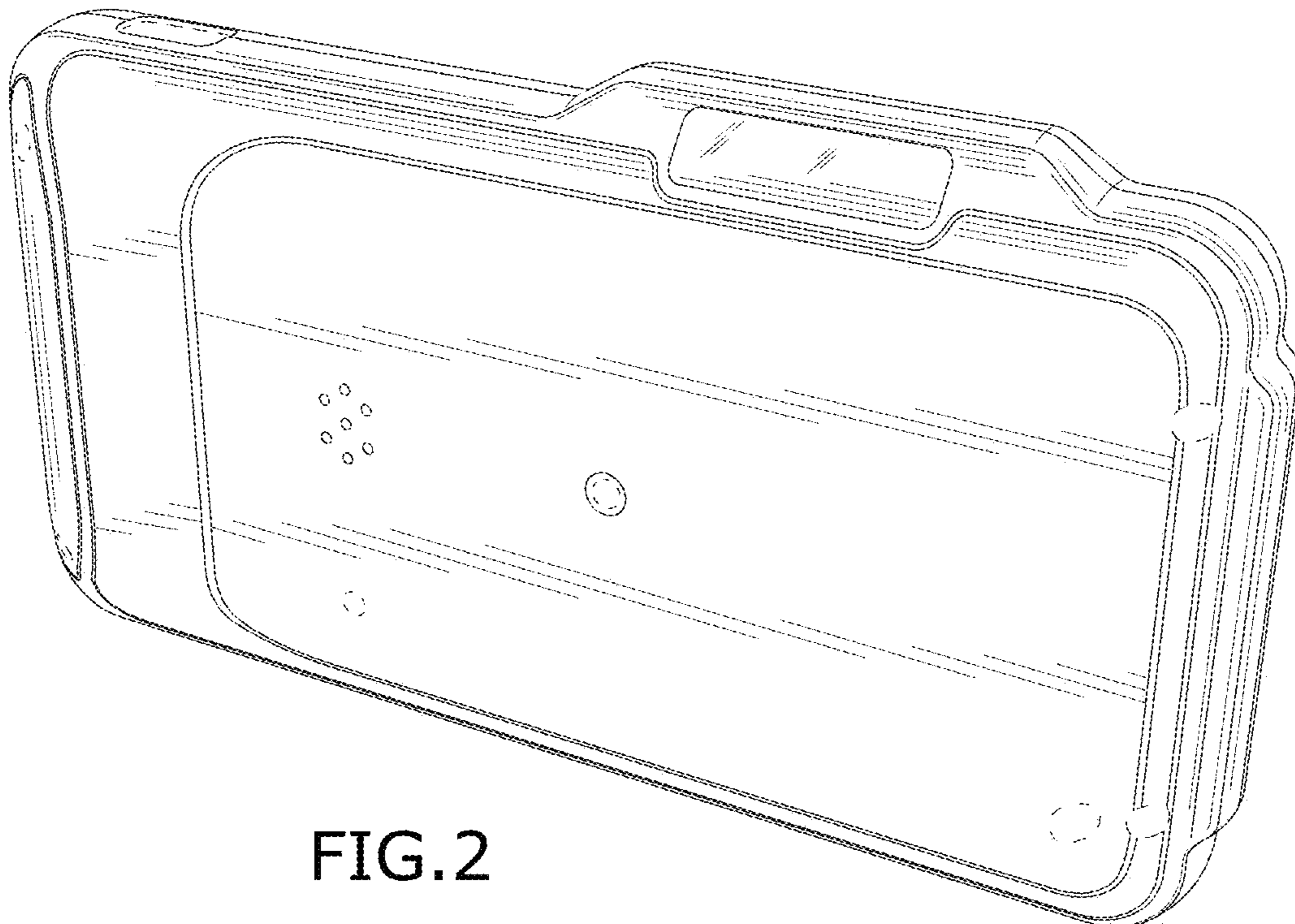


FIG. 2

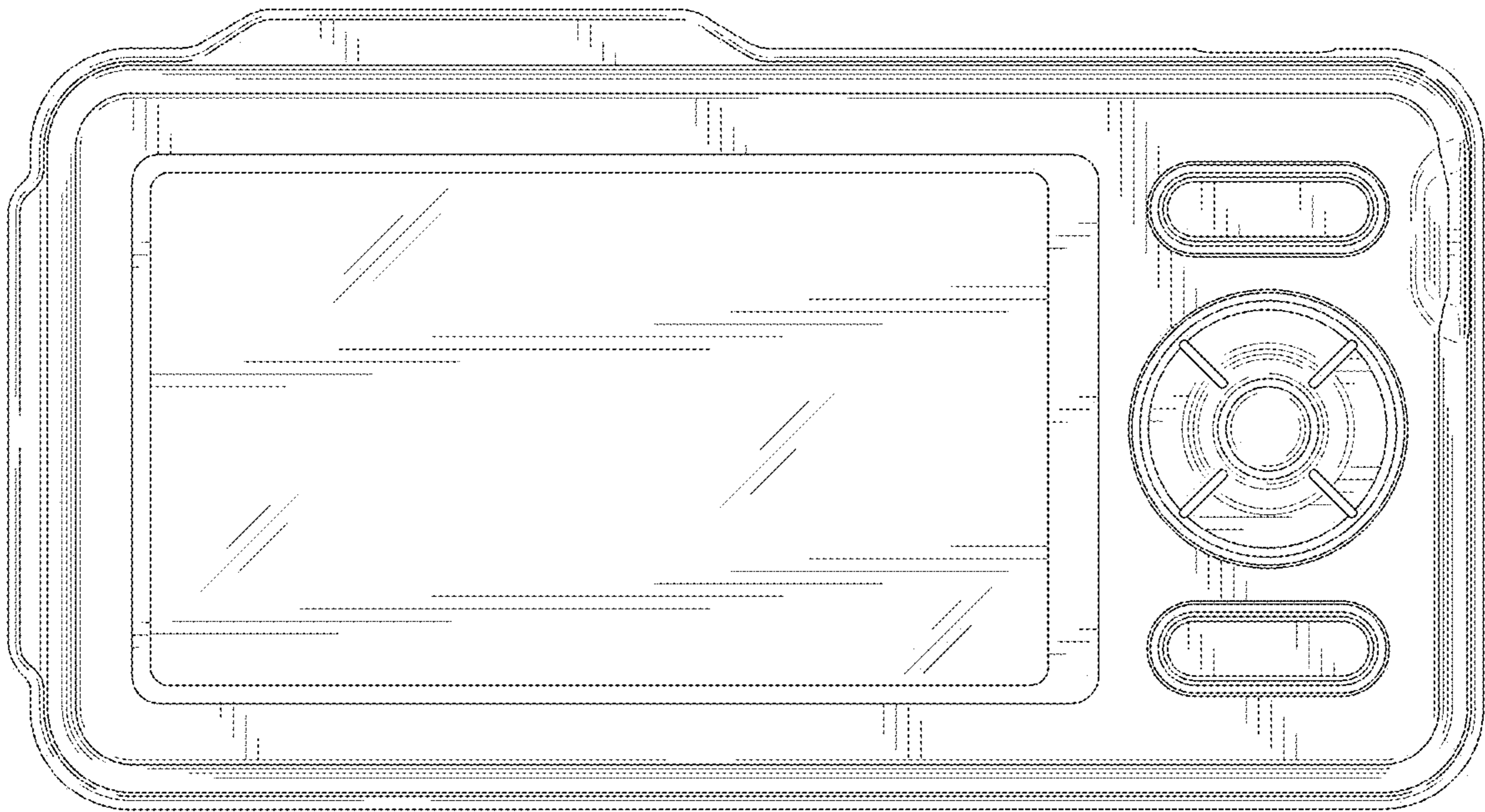


FIG. 3

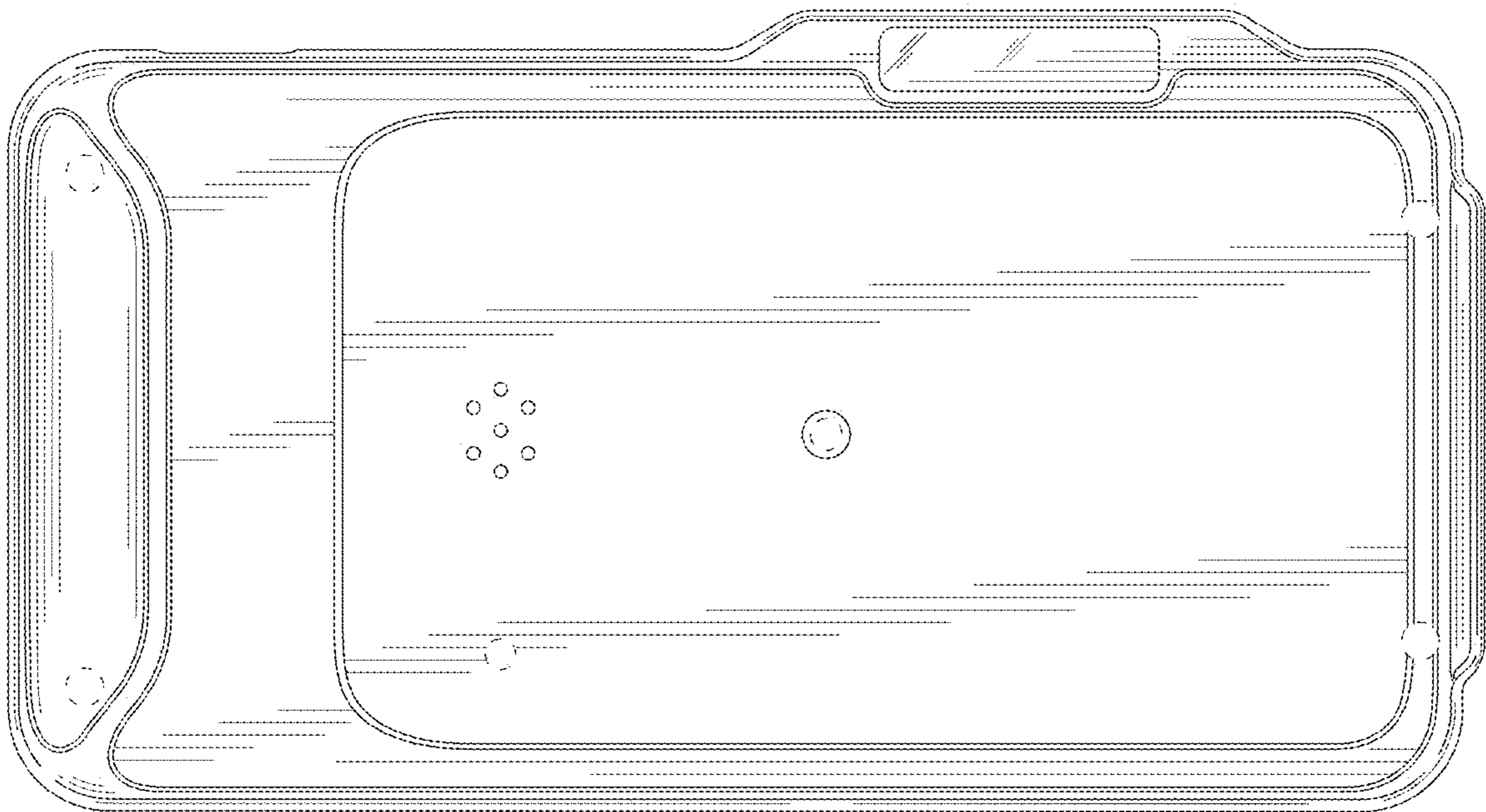


FIG. 4

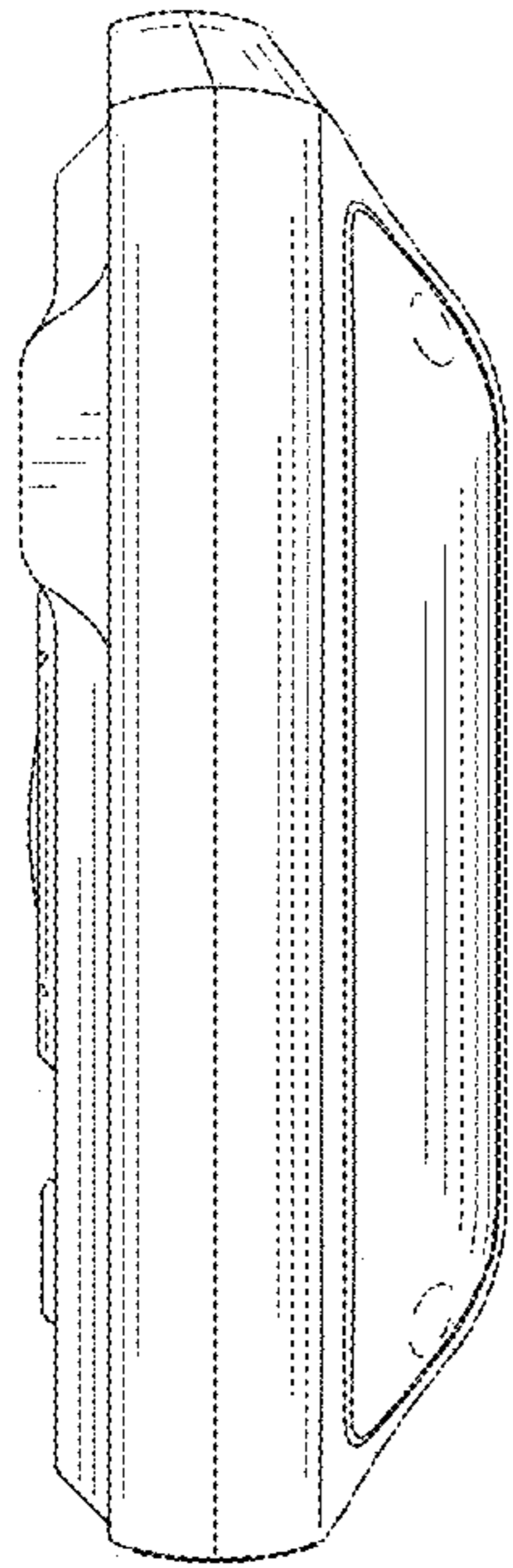


FIG. 5

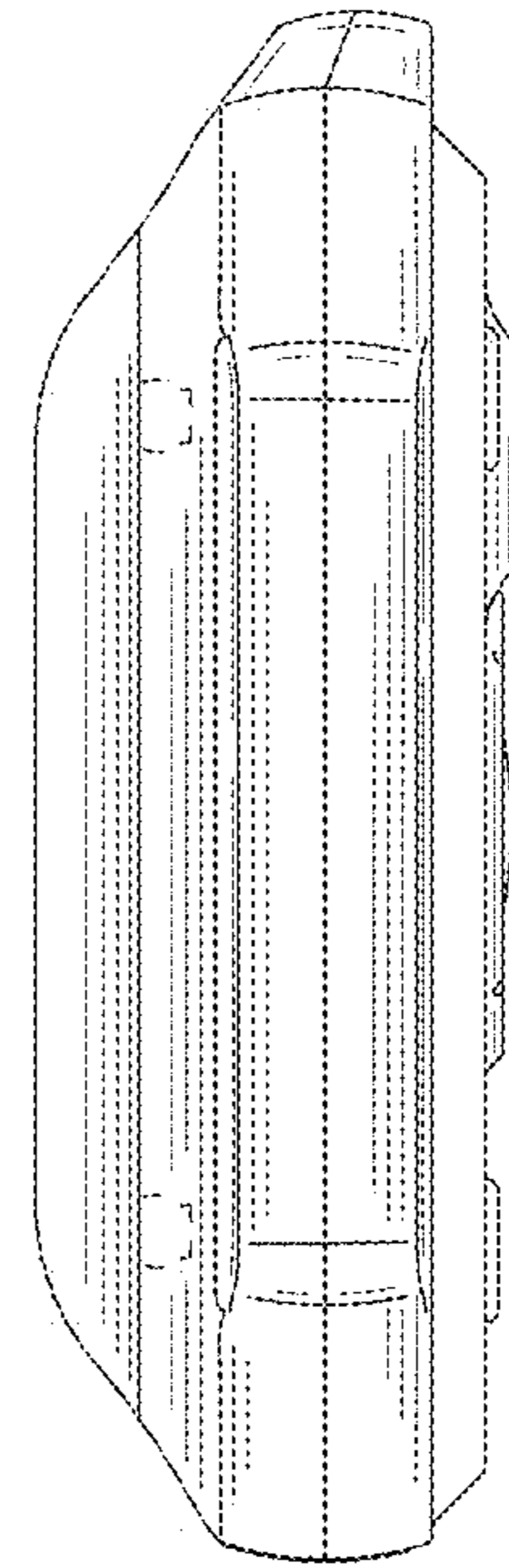


FIG. 6

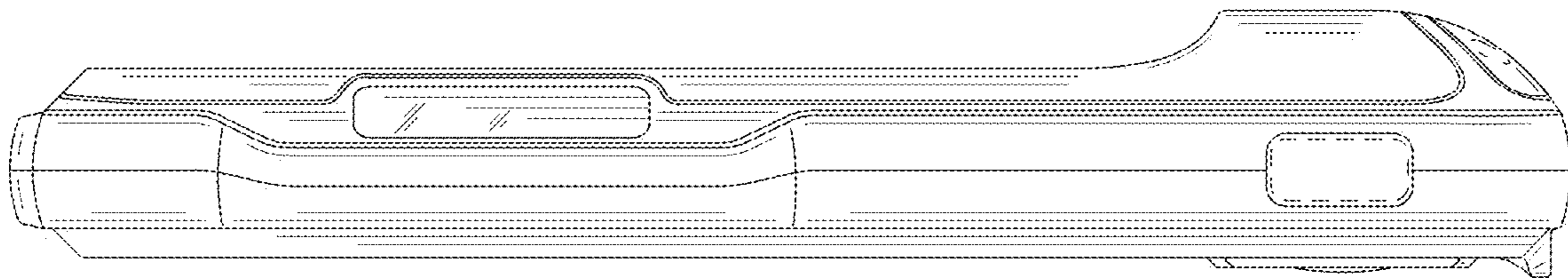


FIG. 7

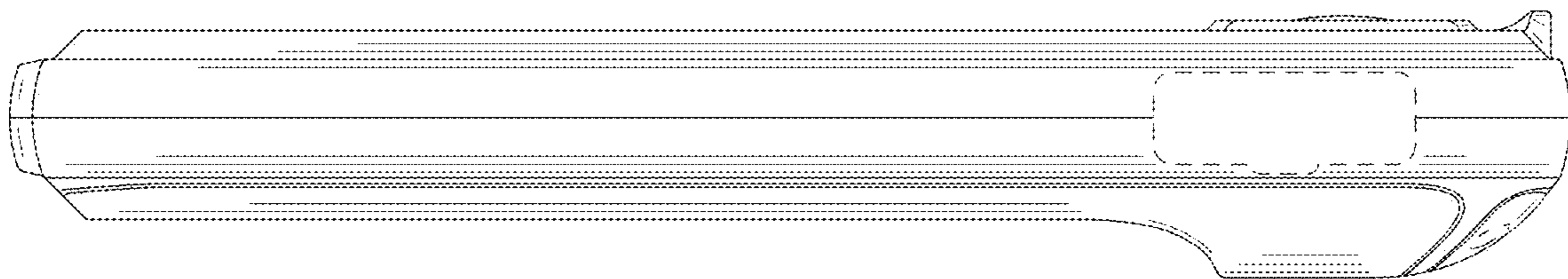


FIG. 8