

US00D967419S

(12) **United States Design Patent**  
**Temple**

(10) **Patent No.:** **US D967,419 S**

(45) **Date of Patent:** **\*\* Oct. 18, 2022**

(54) **FIBER OPTIC CABLE LIGHT SHIELD**

(71) Applicant: **John Temple**, Chelsea, MI (US)

(72) Inventor: **John Temple**, Chelsea, MI (US)

(\*\*) Term: **15 Years**

(21) Appl. No.: **29/699,704**

(22) Filed: **Jul. 29, 2019**

(51) **LOC (13) Cl.** ..... **24-02**

(52) **U.S. Cl.**  
USPC ..... **D24/137**

(58) **Field of Classification Search**  
USPC ..... D24/108, 113, 127, 138, 137, 133, 147,  
D24/144

CPC ..... G02B 6/0006; G02B 6/4436; A61B 1/07;  
A61B 1/00137

See application file for complete search history.

(56) **References Cited**

U.S. PATENT DOCUMENTS

- 4,736,733 A \* 4/1988 Adair ..... A61B 1/00126  
604/533
- 5,300,075 A \* 4/1994 Gordon ..... A61B 17/685  
606/53
- D416,622 S \* 11/1999 Selman ..... D24/127
- D417,273 S \* 11/1999 Walker ..... D24/127
- D441,079 S \* 4/2001 Tipp ..... D24/149
- D547,450 S \* 7/2007 Hurlstone ..... D24/137
- D591,438 S \* 4/2009 Hama ..... D26/37

- D671,638 S \* 11/2012 Young ..... D24/113
- D829,325 S \* 9/2018 Frenkler ..... D24/138
- D855,802 S \* 8/2019 Marcoux ..... D24/138
- D875,929 S \* 2/2020 Tanaka ..... D24/138
- 2014/0243853 A1\* 8/2014 Temple ..... A61B 17/0467  
606/138
- 2021/0033810 A1\* 2/2021 Temple ..... G02B 6/0006

\* cited by examiner

*Primary Examiner* — Eliza Z Harvey

(74) *Attorney, Agent, or Firm* — Law Offices of John G. Posa

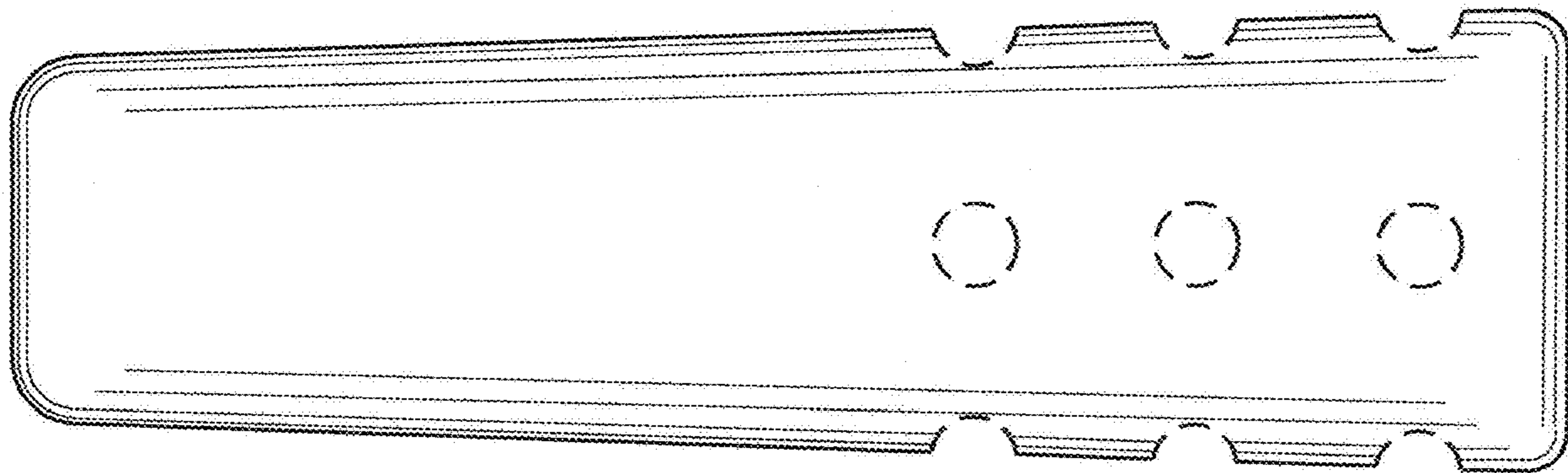
(57) **CLAIM**

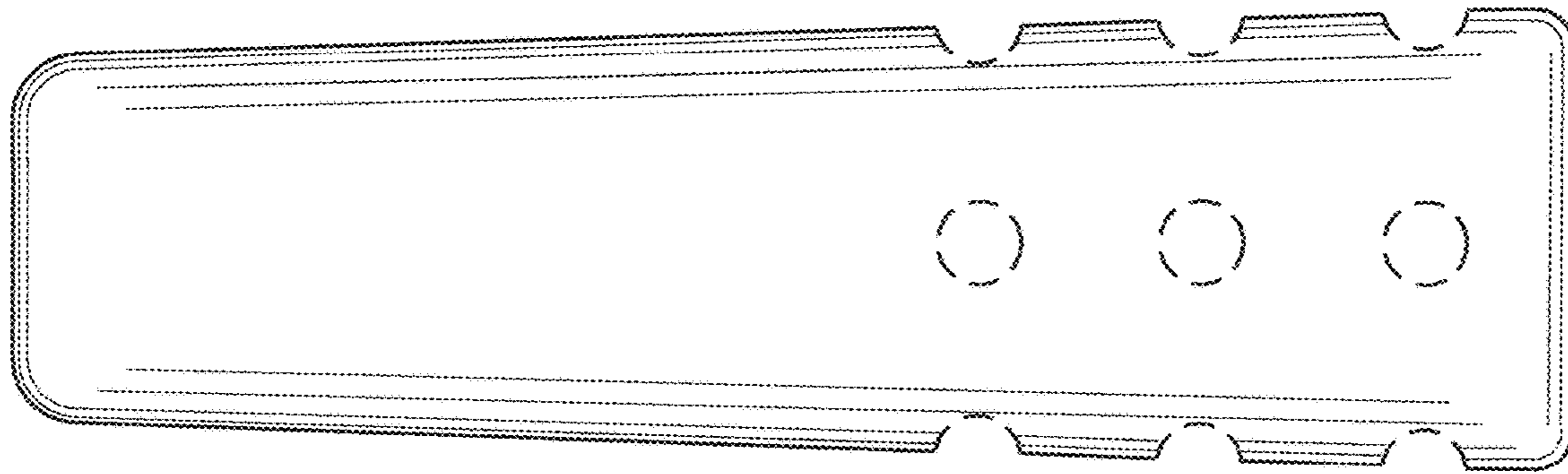
The ornamental design for fiber optic cable light shield, as shown and described.

**DESCRIPTION**

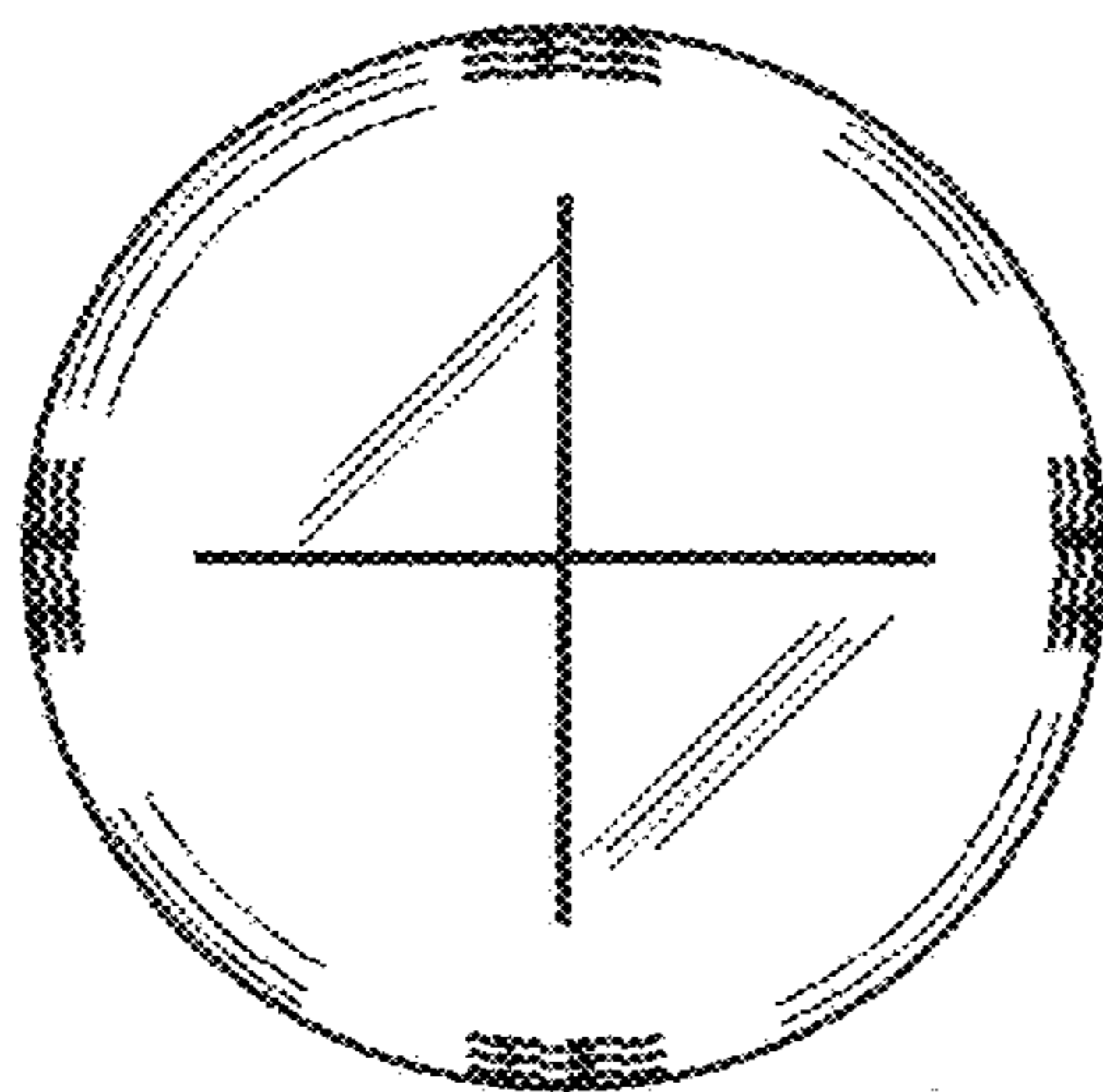
FIG. 1 is a first side view of a fiber optic cable light shield; FIG. 2 is first end view of the fiber optic cable light shield; FIG. 3 is an opposing end view of the fiber optic cable light shield; FIG. 4 is a cross section of the fiber optic cable light shield mid way along the length thereof; FIG. 5 is a second side view of the fiber optic cable light shield; FIG. 6 is a top view of the fiber optic cable light shield; and, FIG. 7 is a bottom view of the fiber optic cable light shield. The broken lines in the drawings depict portions of the fiber optic cable light shield that form no part of the claimed design.

**1 Claim, 2 Drawing Sheets**

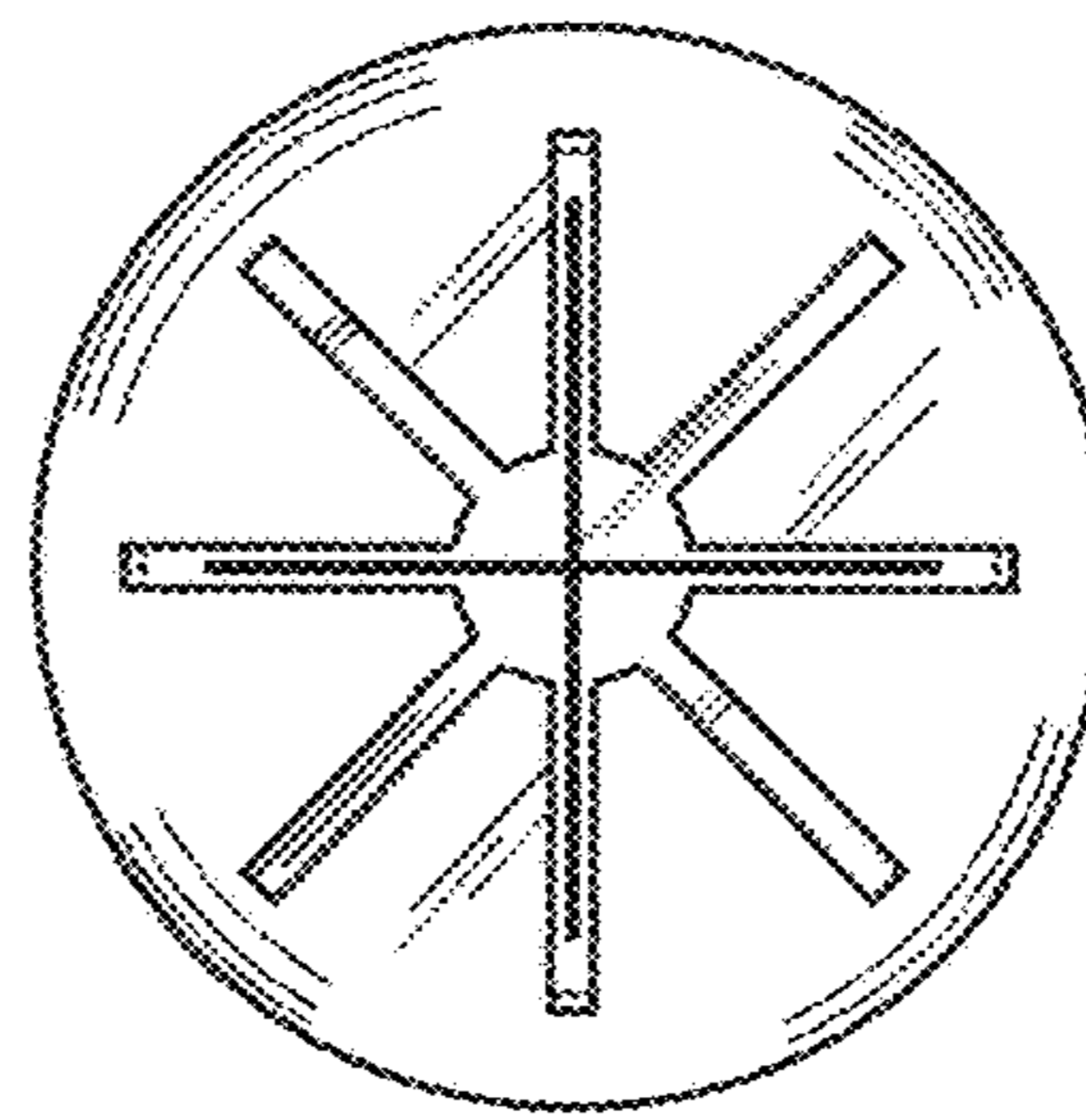




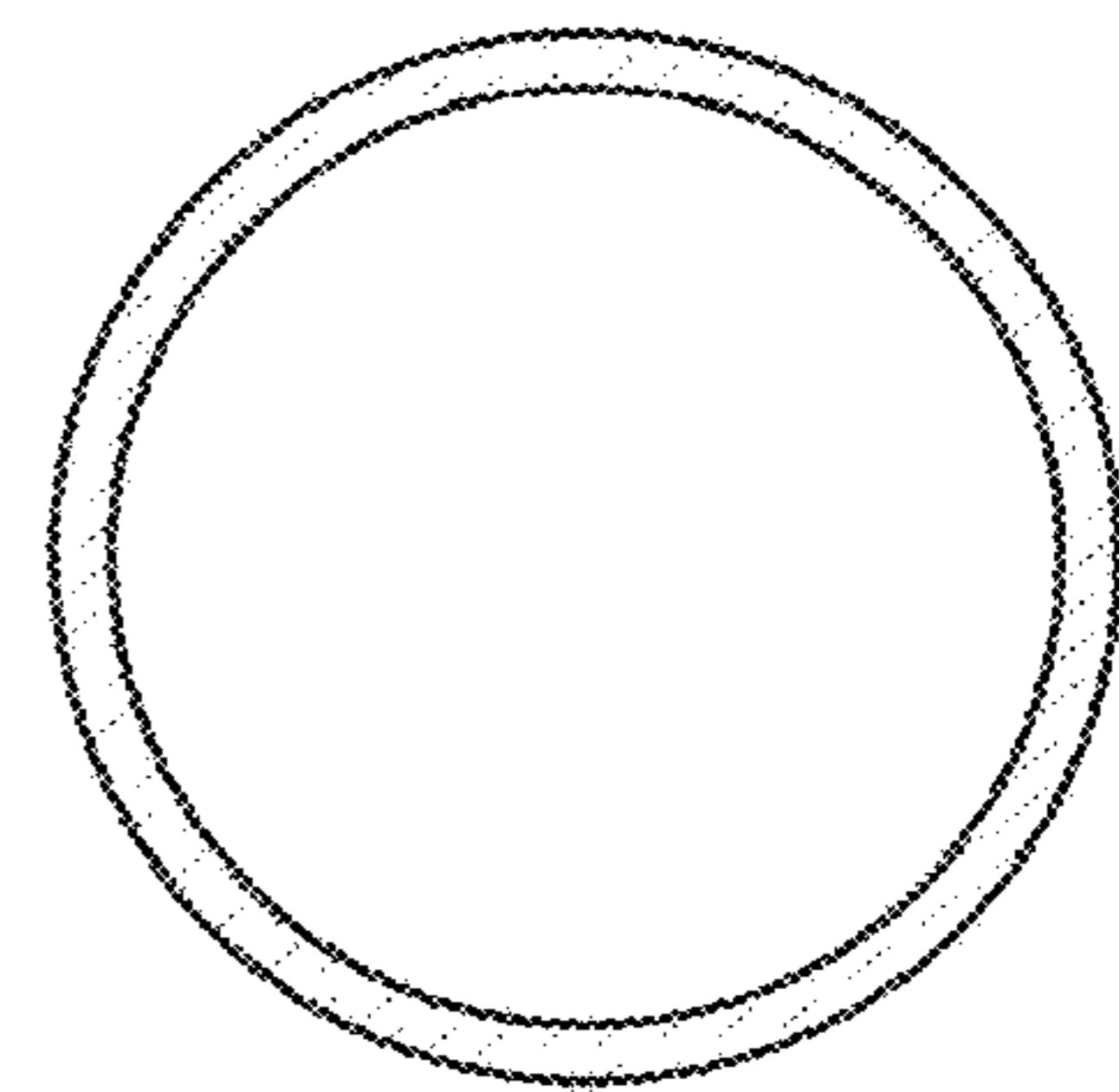
**Fig. 1**



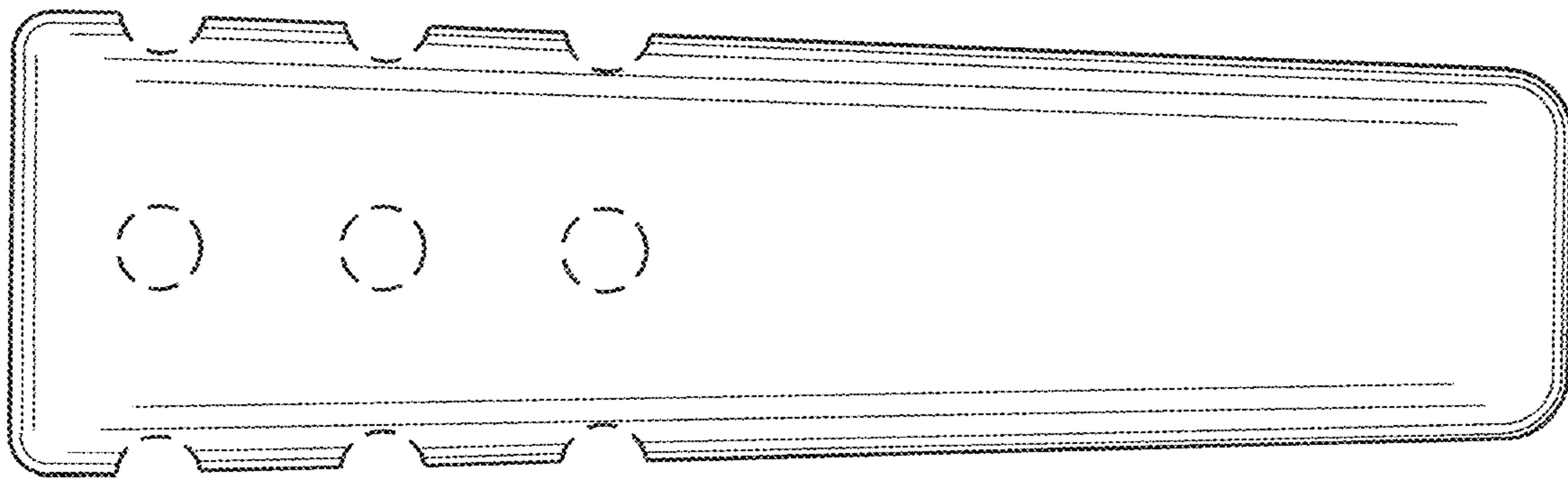
**Fig. 2**



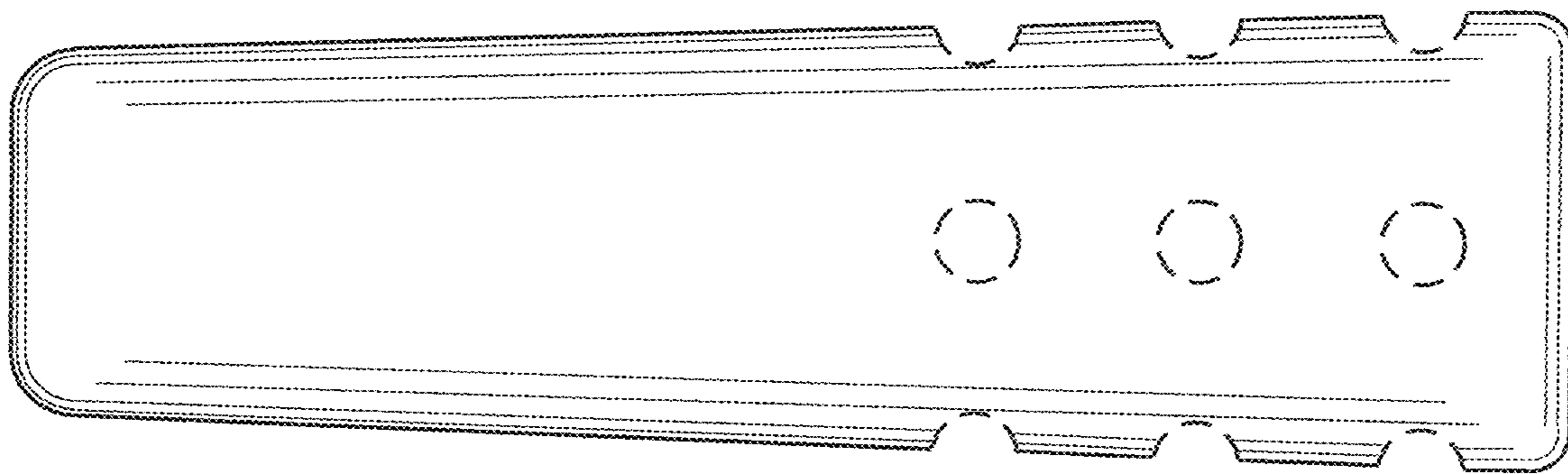
**Fig. 3**



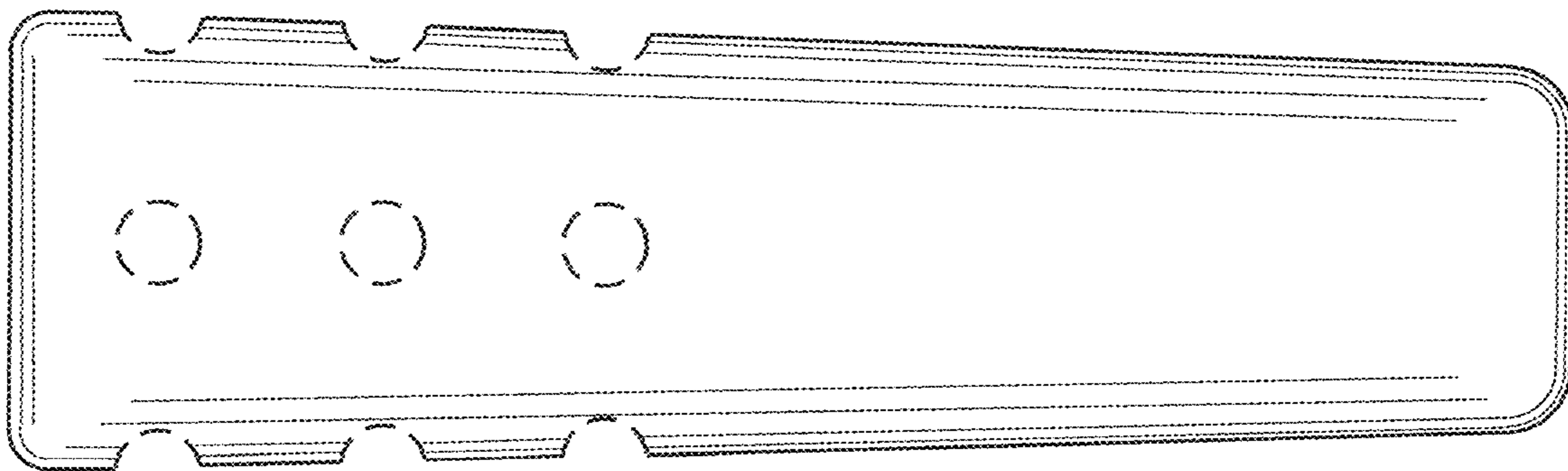
**Fig. 4**



**Fig. 5**



**Fig. 6**



**Fig. 7**