



US00D967418S

(12) **United States Design Patent**  
**Sun**

(10) **Patent No.:** **US D967,418 S**

(45) **Date of Patent:** **\*\* Oct. 18, 2022**

(54) **DOUBLE LAYER OTOSCOPE PROTECTIVE CAP**

(71) Applicant: **Yingjie Sun**, Irvine, CA (US)

(72) Inventor: **Yingjie Sun**, Irvine, CA (US)

(\*\*) Term: **15 Years**

(21) Appl. No.: **29/652,074**

(22) Filed: **May 1, 2020**

(51) **LOC (13) Cl.** ..... **24-02**

(52) **U.S. Cl.**  
USPC ..... **D24/137**

(58) **Field of Classification Search**  
USPC ..... D24/135, 137, 138, 150, 172  
CPC ..... A61B 1/227; A61B 1/2275; A61B 1/32;  
A61B 5/6817

See application file for complete search history.

(56) **References Cited**

**U.S. PATENT DOCUMENTS**

376,601 A *	1/1888	Leiter	.....	A61B 1/227 600/200
1,062,698 A *	5/1913	De Zeng	.....	A61B 1/227 600/200
1,346,200 A *	7/1920	Harris	.....	A61B 1/227 600/200
1,595,378 A *	8/1926	Cameron	.....	A61B 1/233 600/246
1,618,970 A *	3/1927	De Zeng	.....	A61B 1/2275 359/803
1,636,463 A *	7/1927	De Zeng	.....	A61B 1/2275 600/200
2,039,546 A *	5/1936	McGerry	.....	A61B 1/2275 600/249
2,118,523 A *	5/1938	Pitman	.....	A61B 1/2275 600/179
D130,601 S *	12/1941	Peck et al.	.....	D24/137
D130,602 S *	12/1941	Peck et al.	.....	D24/150

D131,163 S *	1/1942	Peck et al.	.....	D24/137
2,292,237 A *	8/1942	Parcher	.....	A61B 1/227 174/17.05
D139,496 S *	11/1944	Ellis	.....	D24/137
2,514,665 A *	7/1950	Myller	.....	A61B 10/0291 600/570
D166,842 S *	5/1952	Armbruster	.....	D24/137
D170,744 S *	11/1953	Burrett	.....	D24/137
2,683,450 A *	7/1954	Schenk	.....	A61B 1/227 600/200
2,797,684 A *	7/1957	Moore	.....	A61B 1/00142 600/203
3,110,304 A *	11/1963	Hartman	.....	A61B 1/227 606/160
3,146,775 A *	9/1964	Moore	.....	A61B 1/227 385/115
3,224,437 A *	12/1965	Hardgrove	.....	A61F 11/00 600/200
D207,372 S *	4/1967	Pulos	.....	600/200
D216,234 S *	12/1969	Hotchkiss	.....	D24/138
D221,109 S *	7/1971	Heine	.....	D24/137
D222,925 S *	2/1972	Pulos	.....	D24/137

(Continued)

*Primary Examiner* — T Chase Nelson

*Assistant Examiner* — Kelly L Gross

(74) *Attorney, Agent, or Firm* — Dunlap Bennett & Ludwig, PLLC

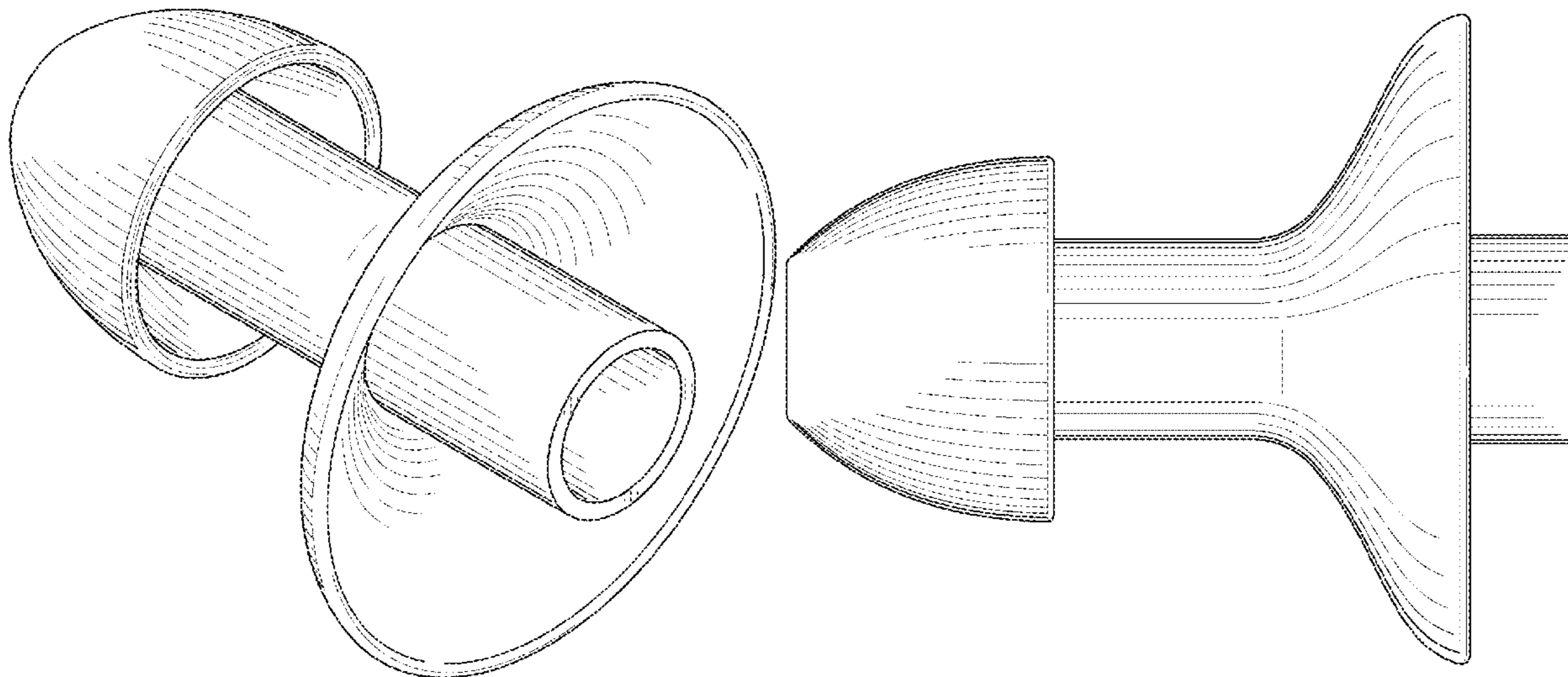
(57) **CLAIM**

The ornamental design for a double layer otoscope protective cap, as shown and described.

**DESCRIPTION**

FIG. 1 is a perspective view of a double layer otoscope protective cap, showing my new design; FIG. 2 is a front elevation view thereof, the rear elevation view being a mirror image thereof, and the left and right elevation views are identical to the front elevation view; FIG. 3 is a top plan view thereof; and, FIG. 4 is a bottom plan view thereof.

**1 Claim, 3 Drawing Sheets**



(56)

References Cited

U.S. PATENT DOCUMENTS

3,848,587 A \* 11/1974 McDonald ..... A61B 1/07  
600/187  
3,878,836 A \* 4/1975 Twentier ..... A61B 1/00142  
374/E1.013  
D238,006 S \* 12/1975 Anderson ..... D24/112  
D238,099 S \* 12/1975 Pulos ..... D24/151  
D239,330 S \* 3/1976 Shea, Jr. .... D24/173  
3,949,740 A \* 4/1976 Twentier ..... A61B 1/00142  
374/E1.013  
4,122,841 A \* 10/1978 Rock ..... A61B 5/12  
128/864  
4,264,167 A \* 4/1981 Plummer ..... G03B 17/48  
396/17  
D278,554 S \* 4/1985 Bain ..... D24/137  
D286,814 S \* 11/1986 Brainard, II ..... 600/200  
D288,960 S \* 3/1987 Riester ..... D24/137  
D289,197 S \* 4/1987 Ware ..... D24/137  
D303,008 S \* 8/1989 O'Hara ..... D24/135  
D325,630 S \* 4/1992 Feinbloom ..... D24/137  
D333,702 S \* 3/1993 Hufman ..... D24/135  
D345,793 S \* 4/1994 Dorsey ..... D24/135  
D360,261 S \* 7/1995 Swanson ..... D24/135  
D374,077 S \* 9/1996 Butler ..... D24/137  
D377,393 S \* 1/1997 Sams ..... D24/137  
D406,339 S \* 3/1999 Stacks ..... D24/137  
D421,123 S \* 2/2000 Kugler ..... D24/137  
D423,668 S \* 4/2000 Coe ..... D24/137  
D436,173 S \* 1/2001 Hemon ..... D24/137  
D439,335 S \* 3/2001 Walls ..... D24/137  
6,210,358 B1 \* 4/2001 Roger ..... A61B 1/227  
604/257  
6,253,871 B1 \* 7/2001 Aceti ..... H04R 25/652  
381/328  
6,393,431 B1 \* 5/2002 Salvati ..... A61B 1/00052  
6,484,842 B1 \* 11/2002 Widmer ..... H04R 25/658  
181/129  
6,773,380 B2 \* 8/2004 Stein ..... A63B 23/20  
482/121  
D520,137 S \* 5/2006 Melendez ..... D24/135  
D566,270 S \* 4/2008 Strom ..... D24/137

7,354,399 B2 \* 4/2008 Strom ..... A61B 1/227  
600/200  
D594,555 S \* 6/2009 Hsu ..... D24/137  
D635,256 S \* 3/2011 Huang ..... D24/151  
D636,080 S \* 4/2011 Goldberg ..... A61B 1/00087  
D24/137  
8,136,986 B2 \* 3/2012 Lane ..... A61B 1/227  
600/184  
8,374,683 B2 \* 2/2013 Stone ..... A61B 5/0059  
600/184  
D709,191 S \* 7/2014 Wood ..... D24/137  
D709,192 S \* 7/2014 Czupalla ..... D24/138  
D760,895 S \* 7/2016 McMahan ..... D24/137  
D775,736 S \* 1/2017 McCafferty ..... A61B 1/227  
D24/172  
D776,809 S \* 1/2017 Vallee ..... D24/137  
D779,665 S \* 2/2017 Hasbun ..... D24/135  
D802,129 S \* 11/2017 Im ..... D24/137  
D802,130 S \* 11/2017 Im ..... D24/137  
D842,991 S \* 3/2019 Cable, Jr. .... D24/135  
D882,081 S \* 4/2020 Sun ..... A61B 1/00142  
D24/137  
D894,383 S \* 8/2020 Berbee ..... D24/137  
D924,397 S \* 7/2021 Lalli ..... D24/135  
D925,037 S \* 7/2021 Zurcher ..... D24/150  
2002/0193665 A1 \* 12/2002 Jones ..... A61B 1/00105  
600/200  
2006/0079924 A1 \* 4/2006 Sanders ..... A61B 1/303  
606/192  
2006/0287583 A1 \* 12/2006 Mangiardi ..... A61B 1/32  
600/210  
2008/0123717 A1 \* 5/2008 Lane ..... A61B 1/227  
374/209  
2011/0295073 A1 \* 12/2011 Truong ..... A61B 1/227  
600/187  
2012/0059224 A1 \* 3/2012 Wellen ..... A61B 1/2275  
600/200  
2015/0018621 A1 \* 1/2015 Wellen ..... A61B 1/227  
600/200  
2018/0125346 A1 \* 5/2018 Shelton ..... A61B 1/2275  
2019/0380648 A1 \* 12/2019 Kirszenblat ..... A61B 5/02125  
2021/0068646 A1 \* 3/2021 Zhang ..... A61B 1/32  
2021/0137740 A1 \* 5/2021 Kanemaru ..... A61B 1/00087  
2021/0220179 A1 \* 7/2021 Rebella ..... A61B 1/227

\* cited by examiner

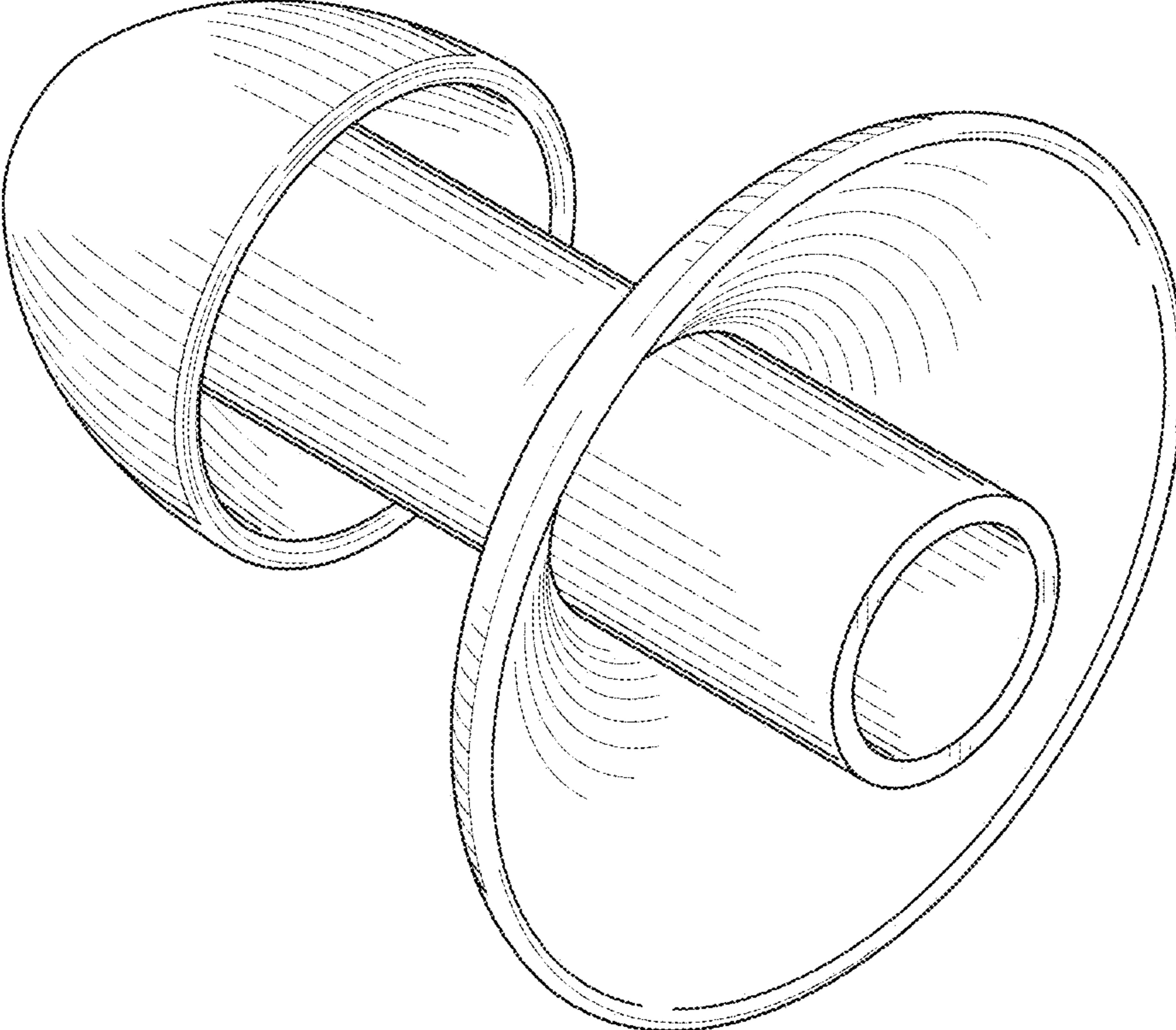


FIG.1

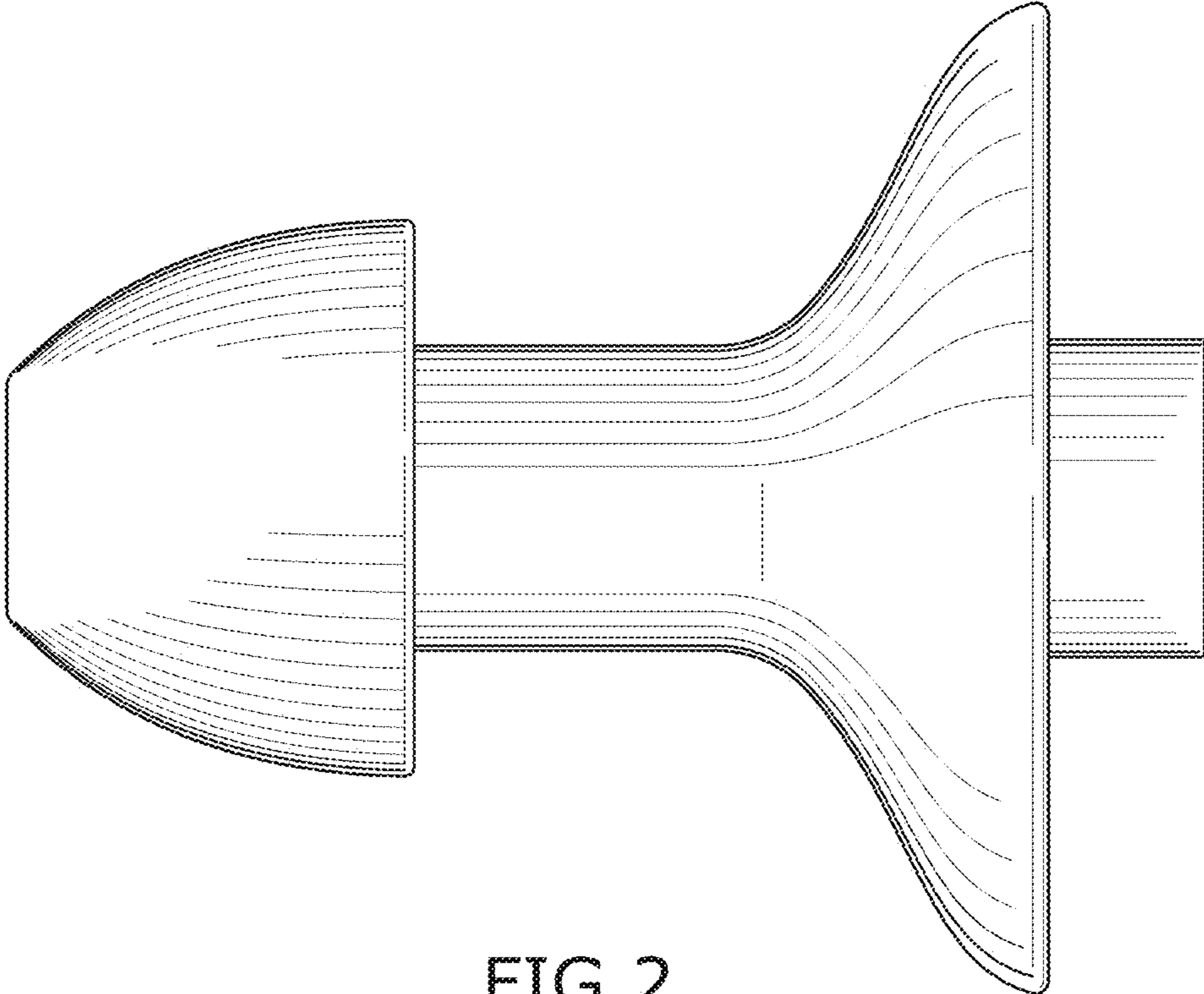


FIG. 2



FIG. 3

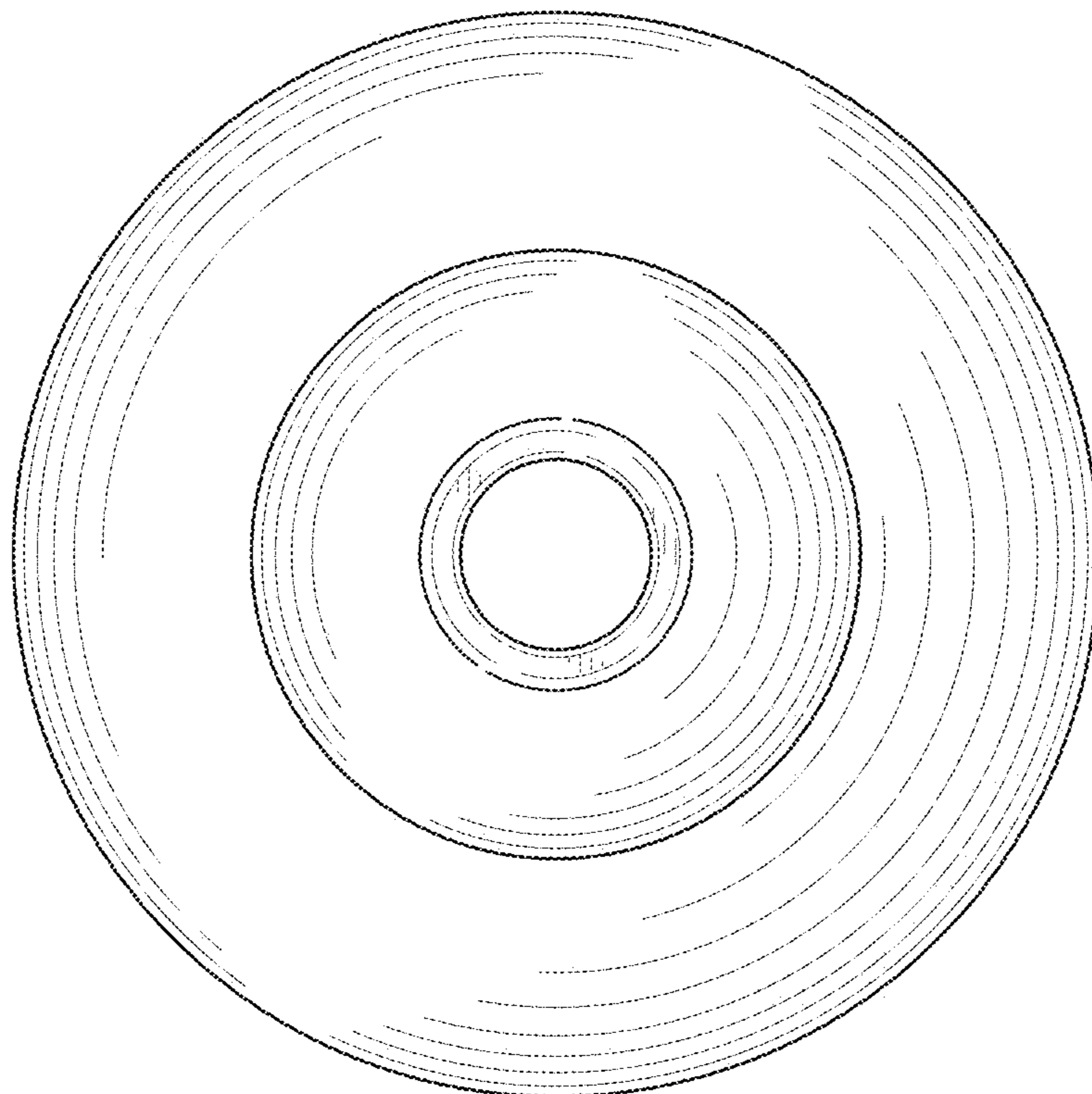


FIG. 4