



US00D967413S

(12) **United States Design Patent** (10) **Patent No.:** **US D967,413 S**
Quaye (45) **Date of Patent:** **** Oct. 18, 2022**

(54) **DISPOSABLE CYSTOSCOPE**
(71) Applicant: **Roland Quaye**, Fredericksburg, VA (US)
(72) Inventor: **Roland Quaye**, Fredericksburg, VA (US)
(**) Term: **15 Years**
(21) Appl. No.: **29/729,812**
(22) Filed: **Mar. 30, 2020**
(51) **LOC (13) Cl.** **24-02**
(52) **U.S. Cl.**
USPC **D24/130**
(58) **Field of Classification Search**
USPC D24/119, 133, 137, 138, 151, 146, 147, D24/152, 108, 111, 112, 113, 117, 118, D24/127, 130, 135, 141, 143, 144, 148, D24/153, 154, 170, 176, 179, 216, 222, D24/145, 150, 128, 129, 131; D8/51, 68, D8/107; D7/649
CPC A61M 25/00; A61M 25/0043; A61M 25/0067; A61M 25/0097; A61M 39/00; A61M 27/00; A61F 2/958
See application file for complete search history.

2,487,498 A * 11/1949 Wallace A61B 1/307 600/153
4,445,892 A 5/1984 Hussein et al.
5,090,959 A 2/1992 Samson et al.
D344,903 S * 3/1994 Gampp, Jr. D10/78
D353,453 S * 12/1994 O'Toole D24/108
D370,531 S * 6/1996 Ash D24/112
D380,265 S * 6/1997 Mark D24/152
(Continued)

FOREIGN PATENT DOCUMENTS

CN 300905490 * 4/2009
WO WO2016160815 A1 10/2016

Primary Examiner — T Chase Nelson
Assistant Examiner — Kelly L Gross

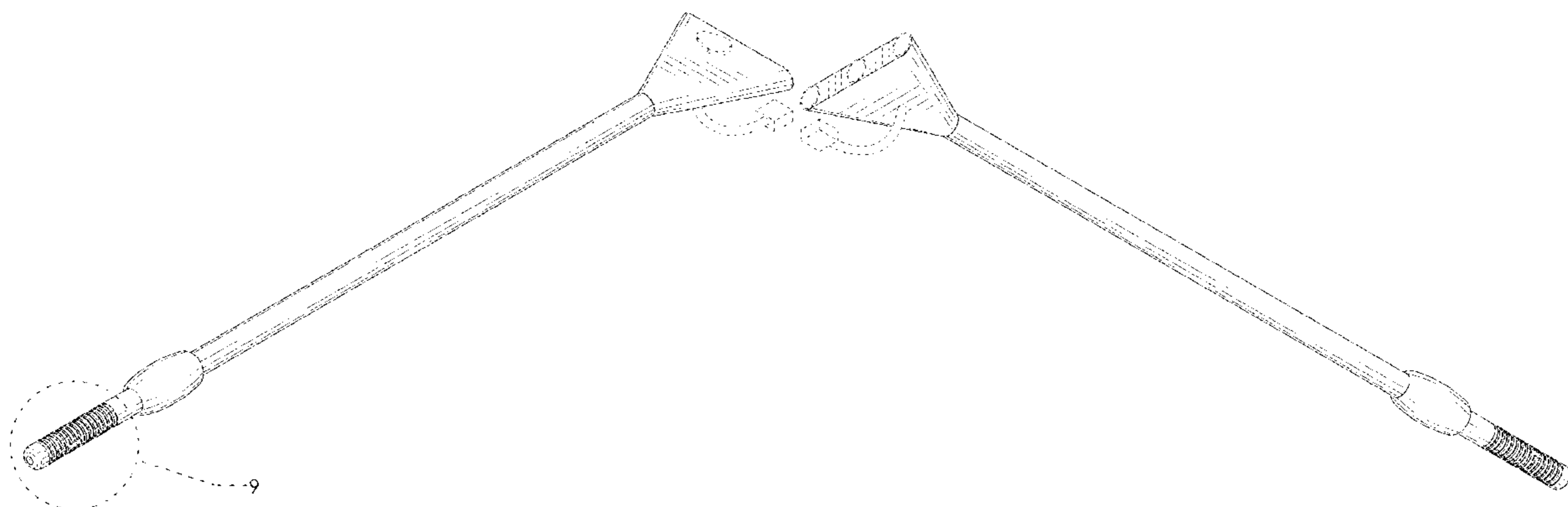
(57) **CLAIM**

The ornamental design for a disposable cystoscope, as shown and described.

DESCRIPTION

FIG. 1 is a top perspective view of a disposable cystoscope showing my new design;
FIG. 2 is a bottom perspective view thereof;
FIG. 3 is an enlarged front elevated view thereof;
FIG. 4 is an enlarged rear elevated view thereof;
FIG. 5 is a top plan view thereof;
FIG. 6 is a bottom plan view thereof;
FIG. 7 is a right elevated view thereof;
FIG. 8 is a left elevated view thereof; and,
FIG. 9 is a magnified view of the tip of the disposable cystoscope shown in FIG. 1.
The broken lines showing of orifices in FIG. 1-9, the broken lines showing of a valve in FIGS. 1, 3-5, and 7-8, and the broken lines showing of wiring in FIG. 1-8 are included for the purpose of showing environmental structure and form no part of the claim designs. The broken line circles FIGS. 1 and 9 are to show the area of enlargement and also form no part of the claimed design.

1 Claim, 9 Drawing Sheets



(56)

References Cited

U.S. PATENT DOCUMENTS

D381,419 S *	7/1997	Musgrave	D24/108	D776,259 S *	1/2017	Eldredge	D24/112
D393,715 S *	4/1998	Strickland	D24/133	D783,785 S *	4/2017	Bates-Hurtado	D23/266
D433,504 S *	11/2000	Mark	D24/119	D797,290 S *	9/2017	Kleiner	D24/147
D440,305 S *	4/2001	Mark	D24/119	D814,637 S *	4/2018	Lohrenz	D24/158
D475,785 S *	6/2003	Chang	D19/177	D815,285 S *	4/2018	Lohrenz	D24/158
D484,595 S *	12/2003	Ryan	D24/133	10,010,246 B2	7/2018	Quaye	
D484,596 S *	12/2003	Ryan	D24/133	10,039,870 B2 *	8/2018	Su	A61M 1/84
D537,942 S *	3/2007	Cronin	D24/144	D837,974 S *	1/2019	Hannon	D24/112
D540,468 S *	4/2007	Mori	D24/130	10,213,578 B2 *	2/2019	Fukuoka	A61M 25/0069
D546,948 S *	7/2007	Huttner	D24/133	D843,061 S *	3/2019	Martone	D28/65
D567,378 S *	4/2008	Nordahl	D24/156	10,258,763 B2 *	4/2019	Grasse	A61B 18/1492
D588,697 S *	3/2009	Hickok	D24/144	D855,803 S *	8/2019	Dejima	D24/138
D590,943 S *	4/2009	Petersen	D24/141	D856,511 S *	8/2019	Kelly	D24/112
D597,670 S *	8/2009	Maissami	D24/152	D867,590 S *	11/2019	Engler	D24/138
D605,759 S *	12/2009	Cuevas	D24/133	D871,576 S *	12/2019	Lohk	D24/138
7,780,650 B2	8/2010	Frassica et al.		10,543,122 B2 *	1/2020	Kahook	A61F 9/0017
D630,734 S *	1/2011	Speiser	D24/133	D880,693 S *	4/2020	Harding	D24/130
D631,962 S *	2/2011	Dorman	D24/135	D882,077 S *	4/2020	Schmitt	D24/129
D667,714 S *	9/2012	Ortiz	D8/89	D884,891 S *	5/2020	Solingen	D24/143
D668,520 S *	10/2012	Ortiz	D8/47	D890,341 S *	7/2020	Wohnhaas	D24/152
D679,803 S *	4/2013	Carter	D24/112	D893,714 S *	8/2020	Trezza	D24/138
D701,305 S *	3/2014	Greco	D24/133	D896,373 S *	9/2020	Julian	A61B 18/1492
8,728,058 B2 *	5/2014	Schertiger	A61M 25/0074				D24/130
			604/544	D896,374 S *	9/2020	Julian	A61F 9/0017
8,967,461 B2 *	3/2015	Colman	F16L 37/24				D24/130
			235/375	10,792,403 B2 *	10/2020	Benedict	A61M 35/003
D726,289 S *	4/2015	Mahmood	D23/266	10,874,769 B2 *	12/2020	Clarke	A61L 29/14
D736,916 S *	8/2015	Appling	D24/130	D908,866 S *	1/2021	Fuentes-Ortega	A61M 25/10
9,108,020 B1 *	8/2015	Feloney	A61M 25/0017				D24/112
D744,652 S *	12/2015	Bennett	D24/147	D915,593 S *	4/2021	Alenezi	D24/152
D746,445 S *	12/2015	Lazarus	D24/127	D925,030 S *	7/2021	Hilton	D24/112
D755,378 S *	5/2016	Dejima	D24/138	D928,957 S *	8/2021	Schumaier	F16L 37/24
D758,578 S *	6/2016	Quaye	D24/138				D24/147
D762,854 S *	8/2016	Efinger	D24/144	11,116,936 B2 *	9/2021	Harding	A61M 25/0082
D763,447 S *	8/2016	Efinger	D24/144	D944,395 S *	2/2022	Harris	D24/112
D765,602 S *	9/2016	Nasu	D13/154	D946,149 S *	3/2022	Ng	D24/146
9,440,043 B2	9/2016	Arora et al.		D946,751 S *	3/2022	Ebel	D24/119
D770,985 S *	11/2016	Nasu	D13/154	D946,753 S *	3/2022	Swick	D24/133
D771,808 S *	11/2016	Efinger	D24/137	D950,723 S *	5/2022	Leibowitz	D24/133
D771,815 S *	11/2016	Huttner	D24/151	D950,729 S *	5/2022	Johnson	D24/152
9,504,809 B2 *	11/2016	Bo	A61M 25/10	D951,446 S *	5/2022	Yang	D24/147
D773,664 S *	12/2016	DeNeui	D24/147	D952,850 S *	5/2022	Yang	D24/147
				2014/0235942 A1	8/2014	Hellstrom et al.	
				2017/0136222 A1	5/2017	Hakim et al.	

* cited by examiner

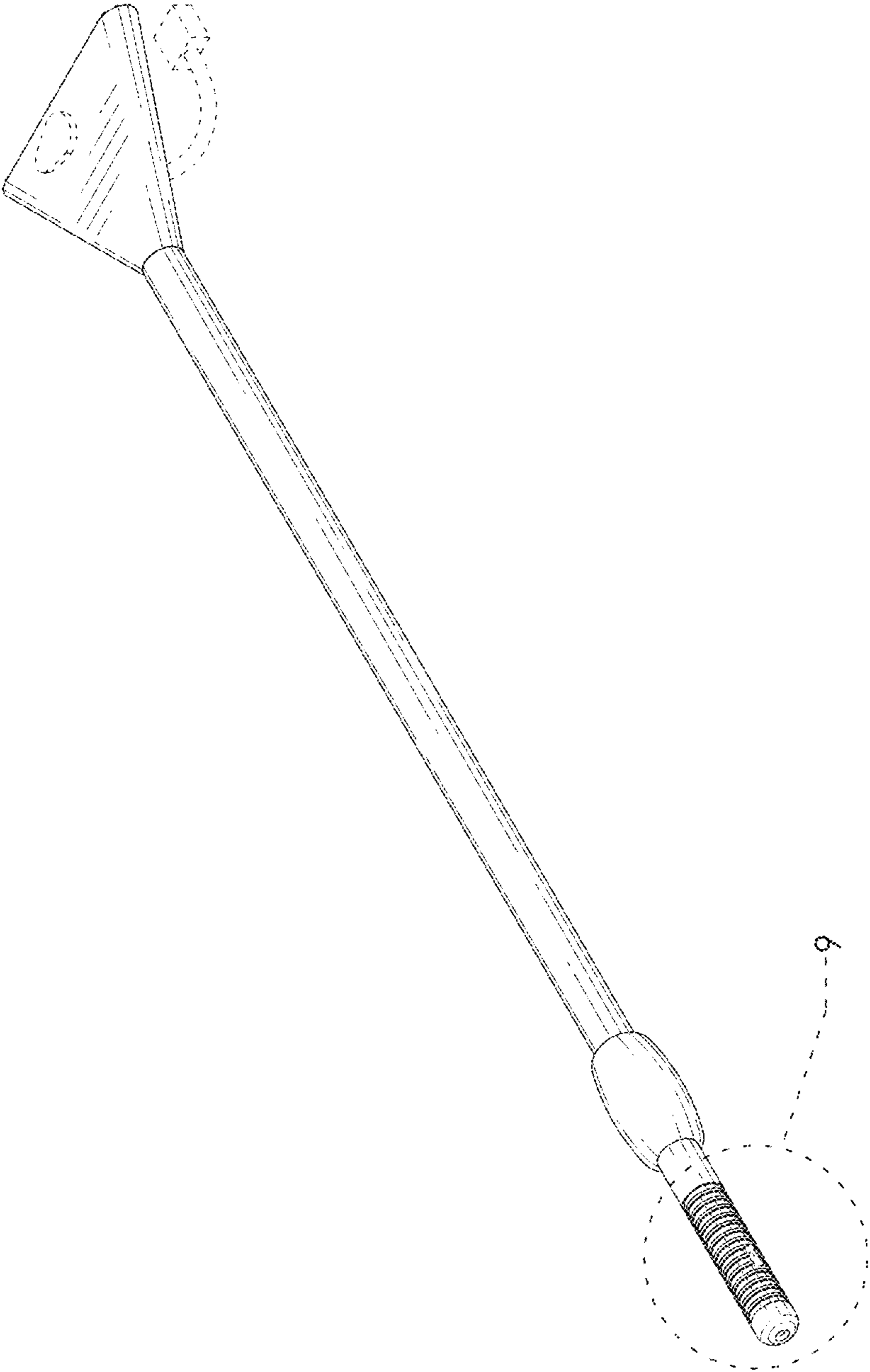


FIG. 1

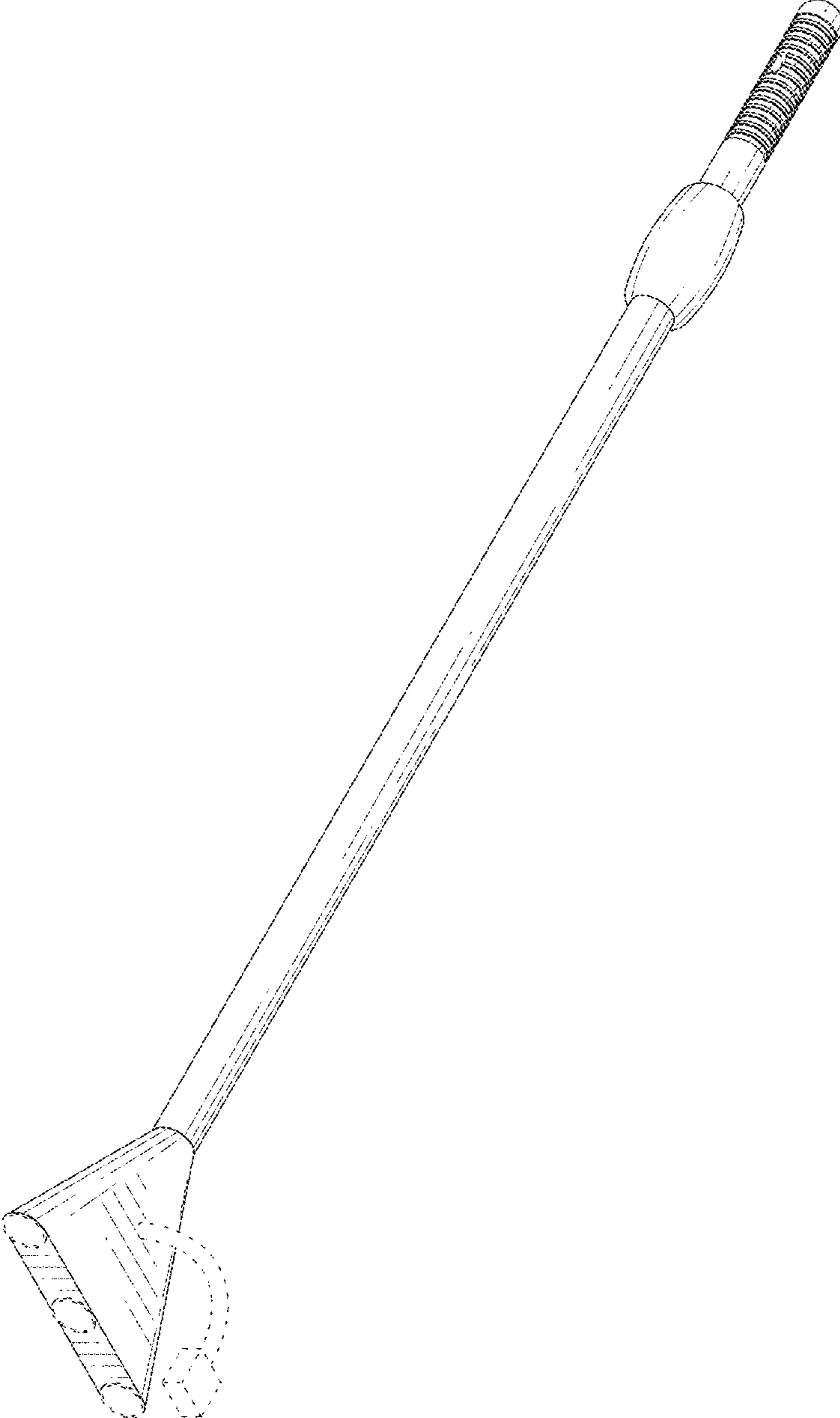


FIG. 2

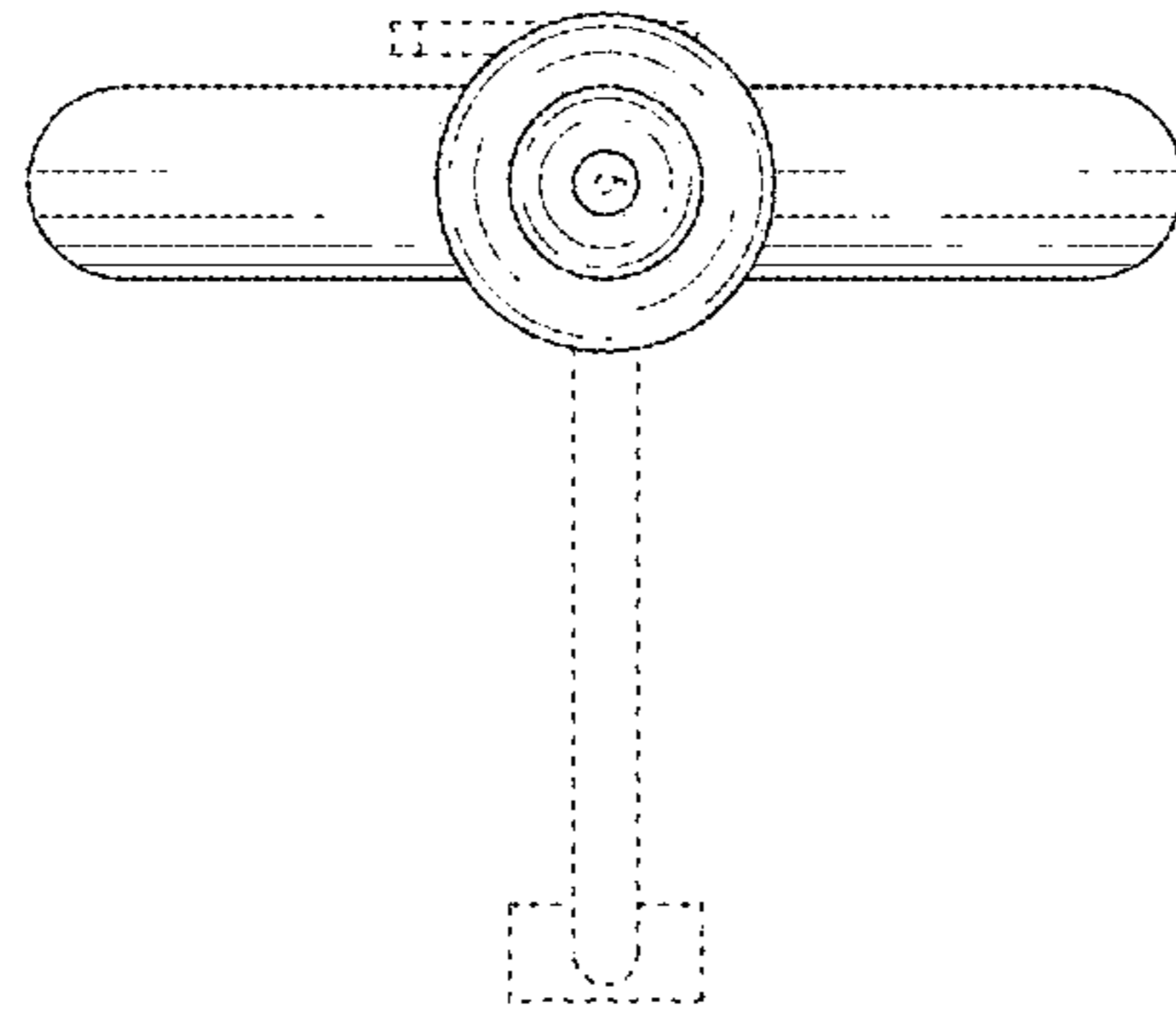


FIG. 3

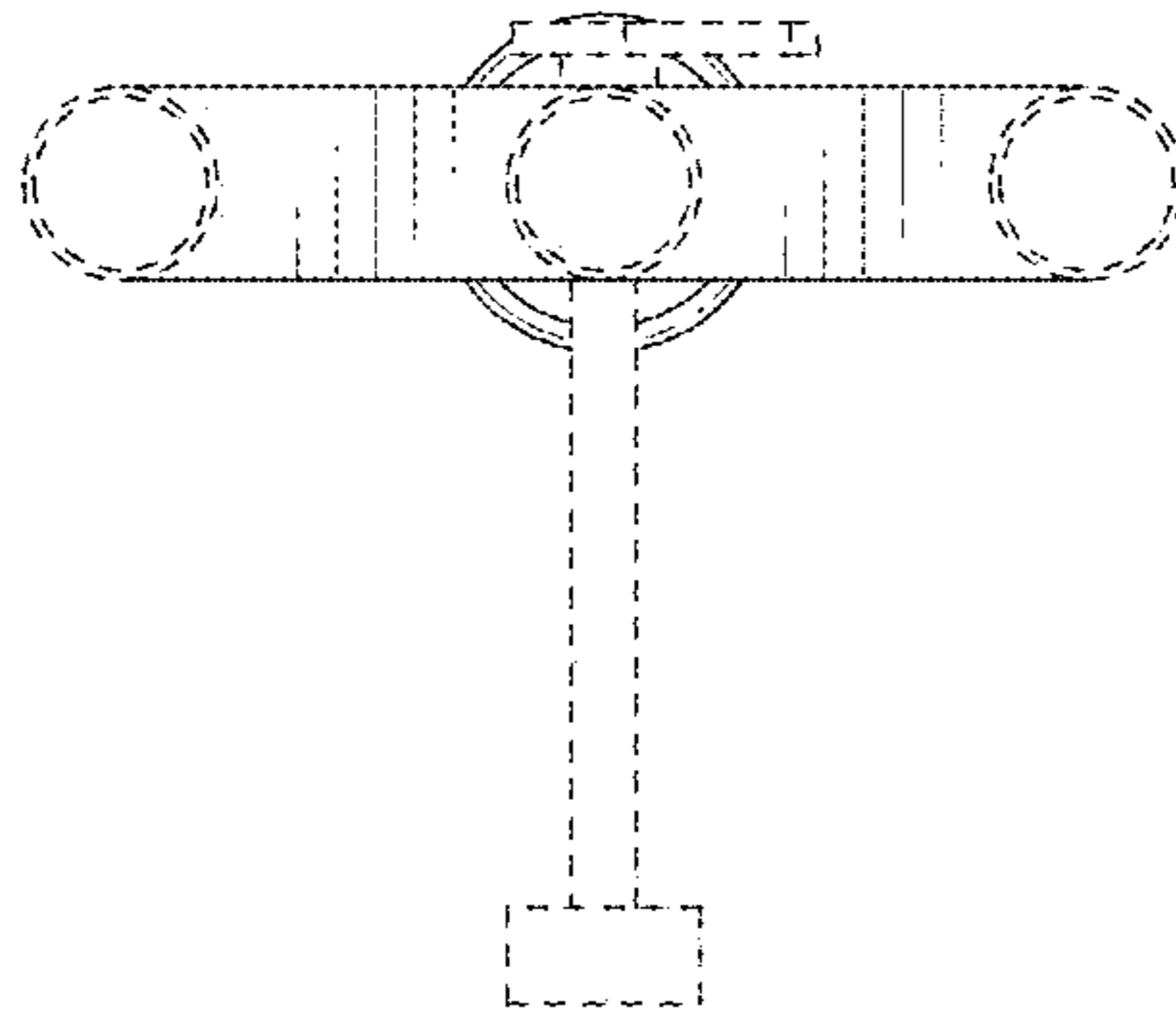


FIG. 4

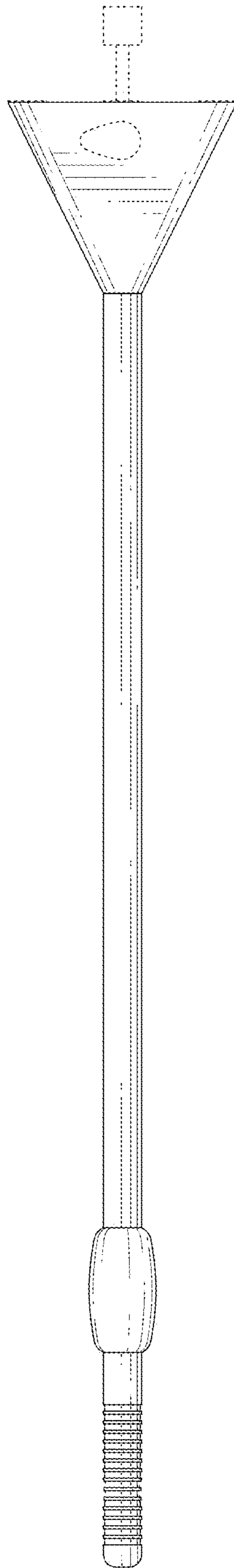


FIG. 5

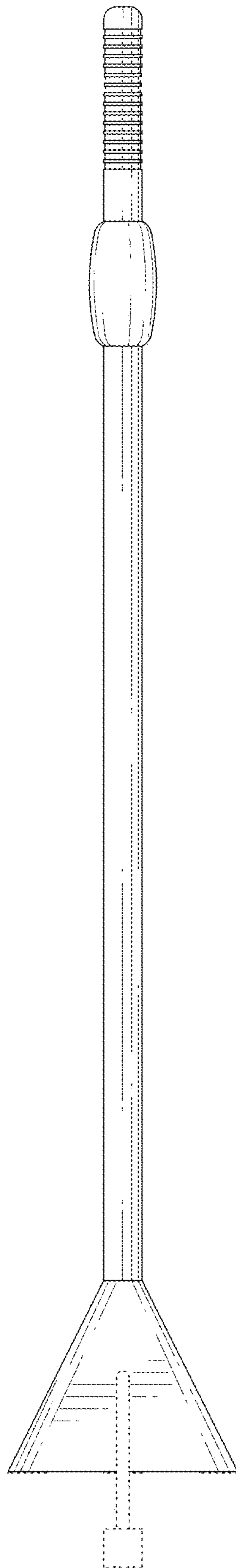


FIG. 6

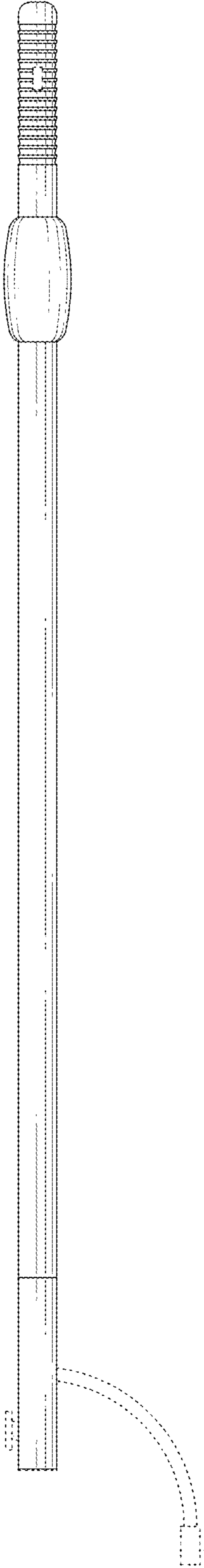


FIG. 7

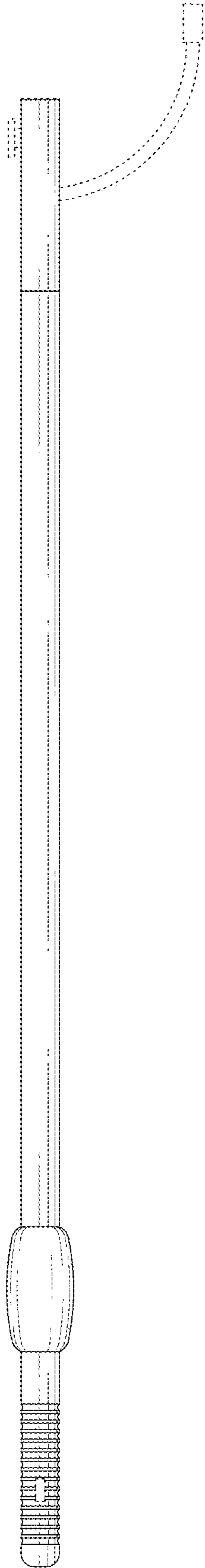


FIG. 8

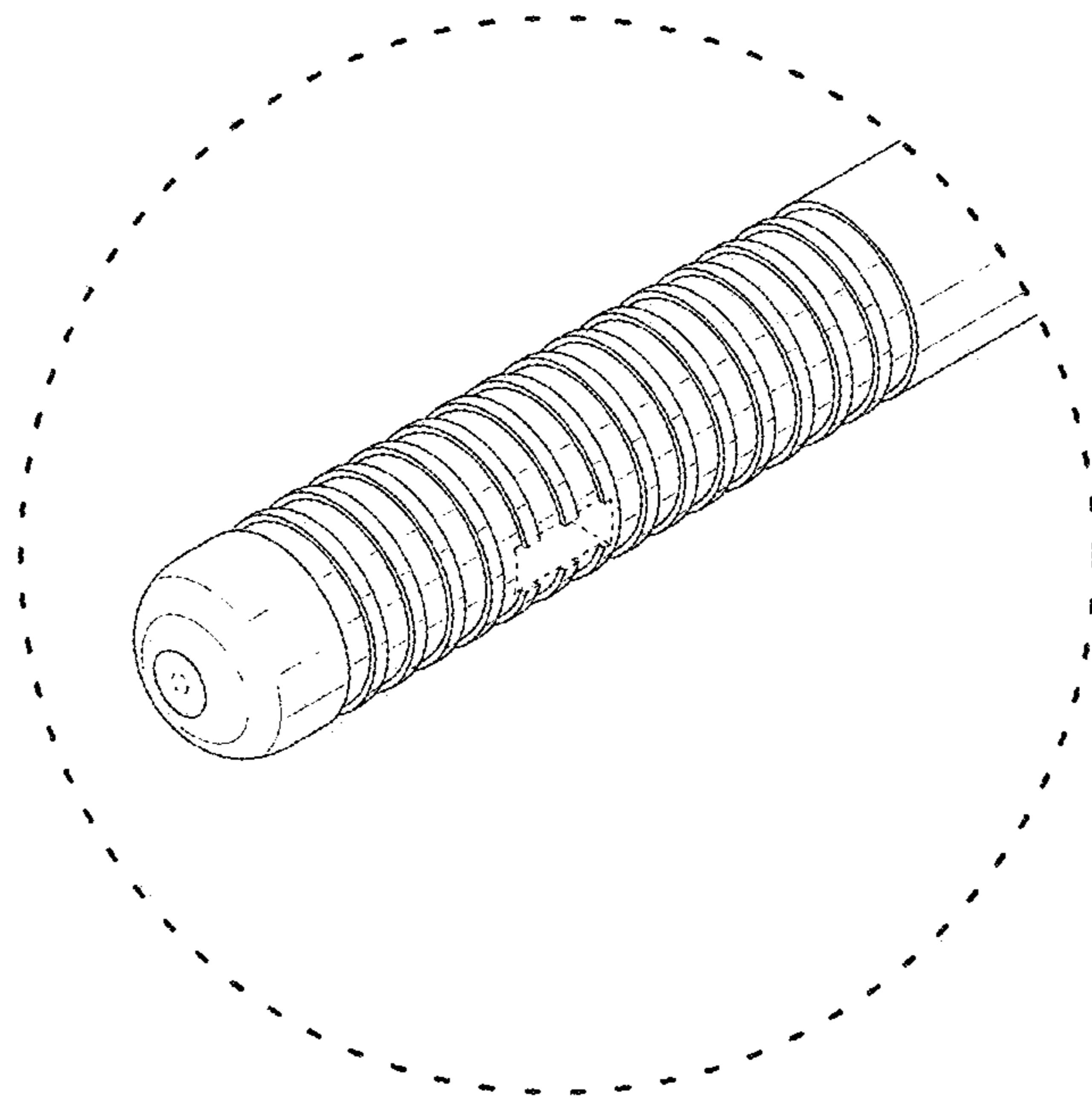


FIG. 9