



US00D967412S

(12) **United States Design Patent** (10) **Patent No.:** **US D967,412 S**  
**Azapagic et al.** (45) **Date of Patent:** **\*\* Oct. 18, 2022**

- (54) **ADMINISTRATION SET FOR INFUSION PUMP**
- (71) Applicant: **CURLIN MEDICAL INC.**, Elma, NY (US)
- (72) Inventors: **Azur Azapagic**, Cottonwood Heights, UT (US); **Douglas Paul Orr**, Draper, UT (US); **Daniel Martel**, Stansbury Park, UT (US)
- (73) Assignee: **CURLIN MEDICAL INC.**, Elma, NY (US)
- (\*\*) Term: **15 Years**
- (21) Appl. No.: **29/816,336**
- (22) Filed: **Nov. 21, 2021**

**Related U.S. Application Data**

- (62) Division of application No. 29/749,753, filed on Sep. 9, 2020, now Pat. No. Des. 937,410, which is a division of application No. 29/673,676, filed on Dec. 17, 2018, now Pat. No. Des. 896,371.
- (51) **LOC (13) Cl.** ..... **24-02**
- (52) **U.S. Cl.**  
USPC ..... **D24/128**
- (58) **Field of Classification Search**  
USPC ..... D24/127-131, 112-114, 133, 186; 606/181, 185; 604/264, 523-528, 272, 604/187, 158, 164.01-164.11, 181, 184, 604/227; 600/101, 139, 143; 128/200.24, 207.14, 207.15  
CPC ... G16H 40/63; G16H 20/17; A61M 5/14228; A61M 5/16881; A61M 2205/14; A61M 2205/3306; A61M 2205/3317; A61M 2205/332; A61M 2205/3375; A61M 2205/502; A61M 2205/52; A61M 2205/60  
See application file for complete search history.

(56) **References Cited**

U.S. PATENT DOCUMENTS

D399,315 S *	10/1998	Fulk .....	D24/114
D502,773 S *	3/2005	Abry .....	D24/128
D526,410 S *	8/2006	Phillips .....	D24/135
D613,405 S *	4/2010	Sauer .....	D24/140
D732,009 S *	6/2015	Bak .....	D14/229
D751,702 S *	3/2016	Eaton .....	D24/128
D757,957 S *	5/2016	Moshfegh .....	D24/224
D796,667 S *	9/2017	Manandhar .....	D24/128
D808,012 S *	1/2018	Eaton .....	D24/128
D822,202 S *	7/2018	Roth .....	D24/128
D822,830 S *	7/2018	Aten .....	D24/128
D824,026 S *	7/2018	Eaton .....	D24/128
D838,365 S *	1/2019	Eaton .....	D24/128

\* cited by examiner

*Primary Examiner* — Nathan M Johnston  
(74) *Attorney, Agent, or Firm* — Hodgson Russ LLP

(57) **CLAIM**

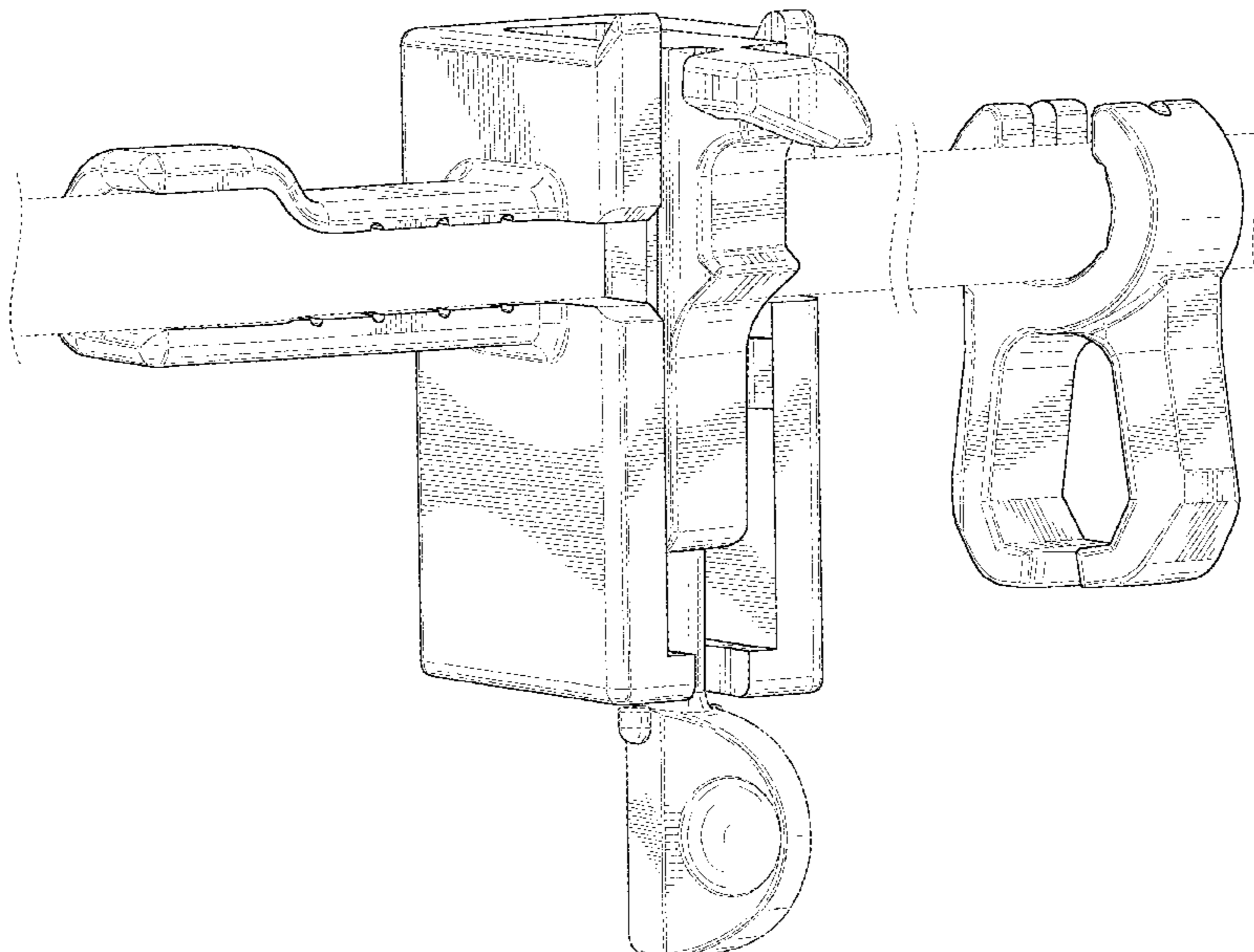
The ornamental design for an administration set for infusion pump, as shown and described.

**DESCRIPTION**

FIG. 1 is a front perspective view of an administration set for infusion pump;  
 FIG. 2 is a front elevation view thereof;  
 FIG. 3 is a rear elevation view thereof;  
 FIG. 4 is a right side elevation view thereof;  
 FIG. 5 is a left side elevation view thereof;  
 FIG. 6 is a top plan view thereof; and,  
 FIG. 7 is a bottom plan view thereof.

The broken lines in the figures illustrate portions of the administration set for infusion pump that form no part of the claimed design.

**1 Claim, 7 Drawing Sheets**



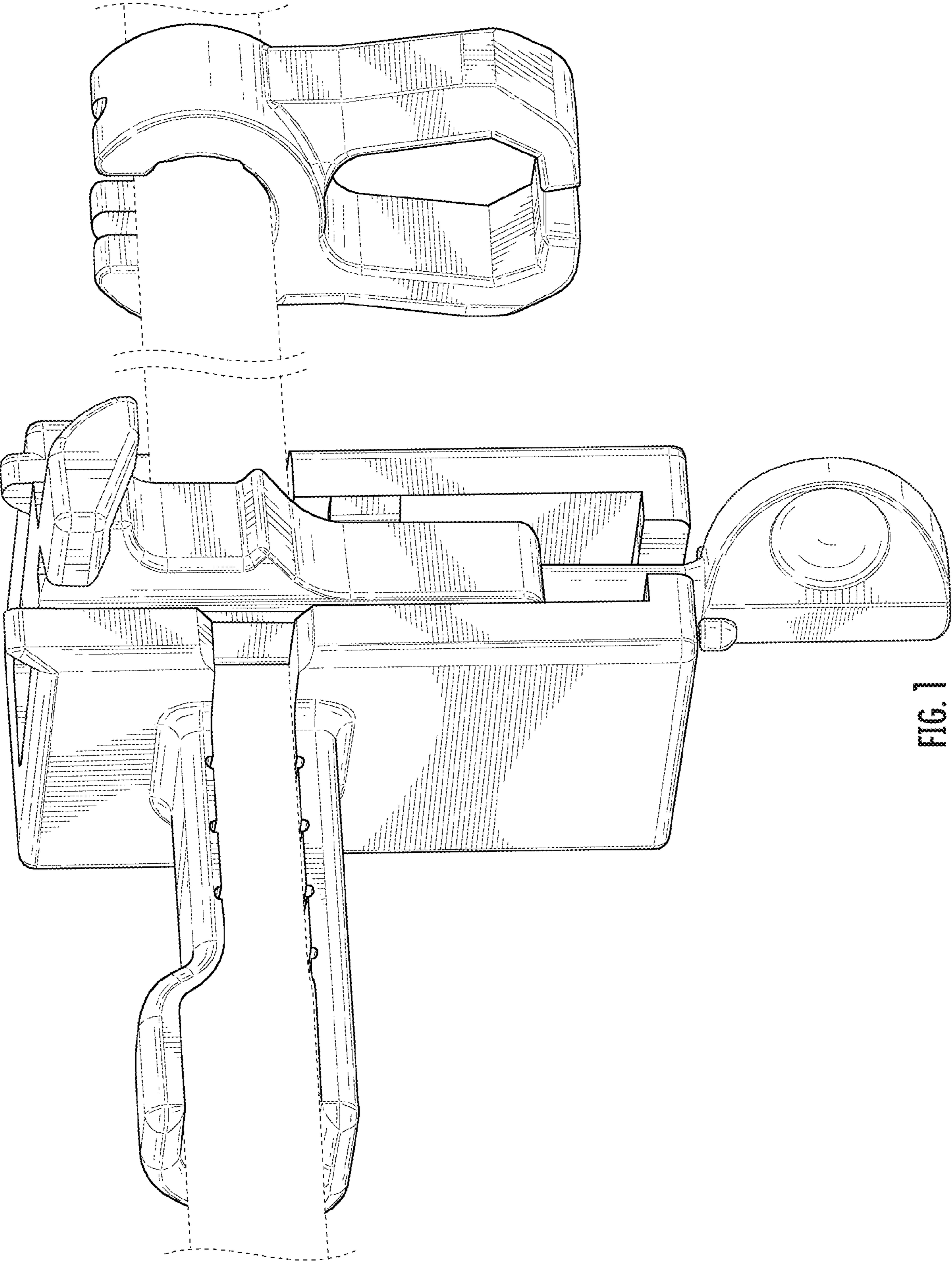


FIG. 1

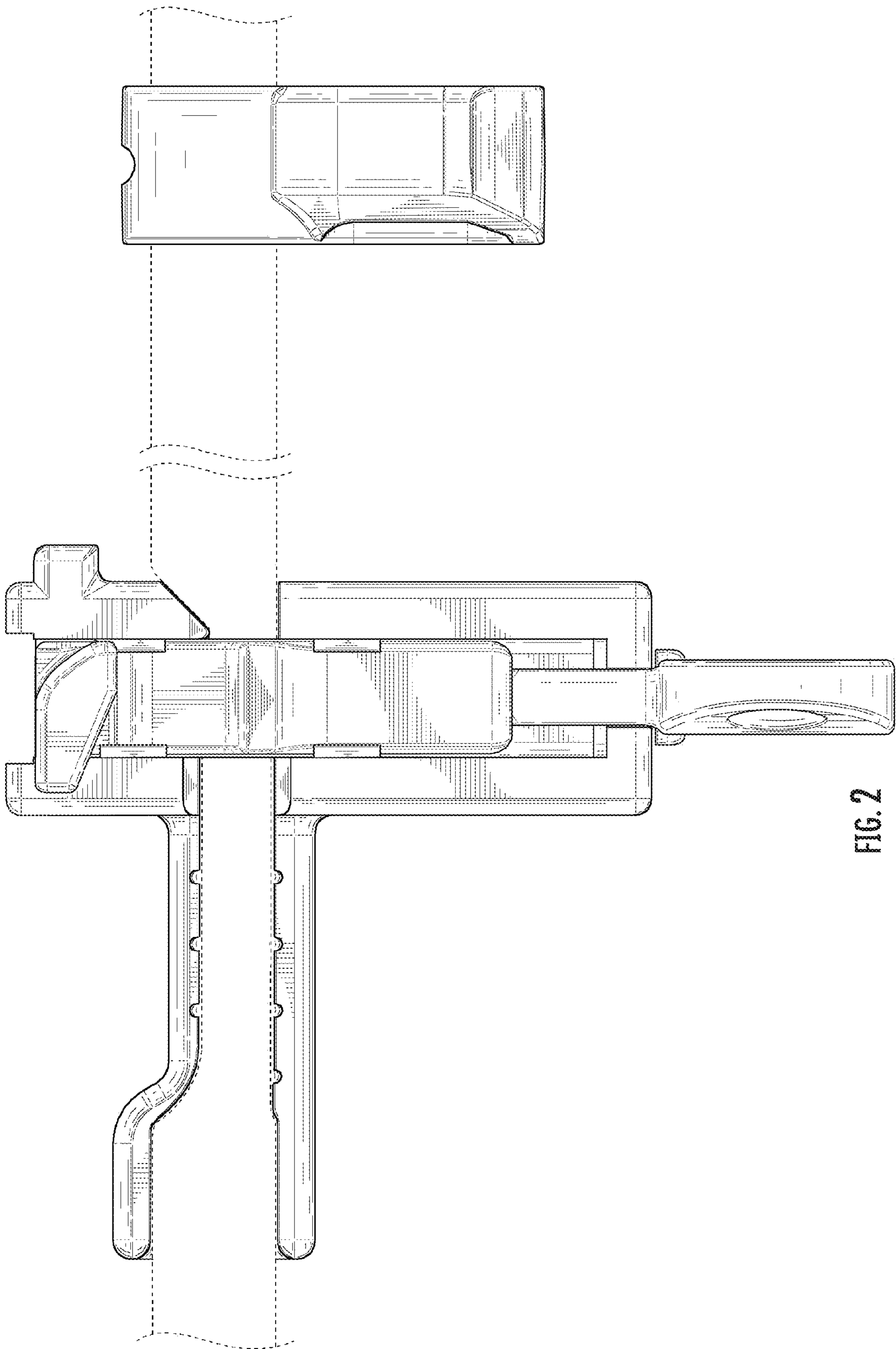


FIG. 2

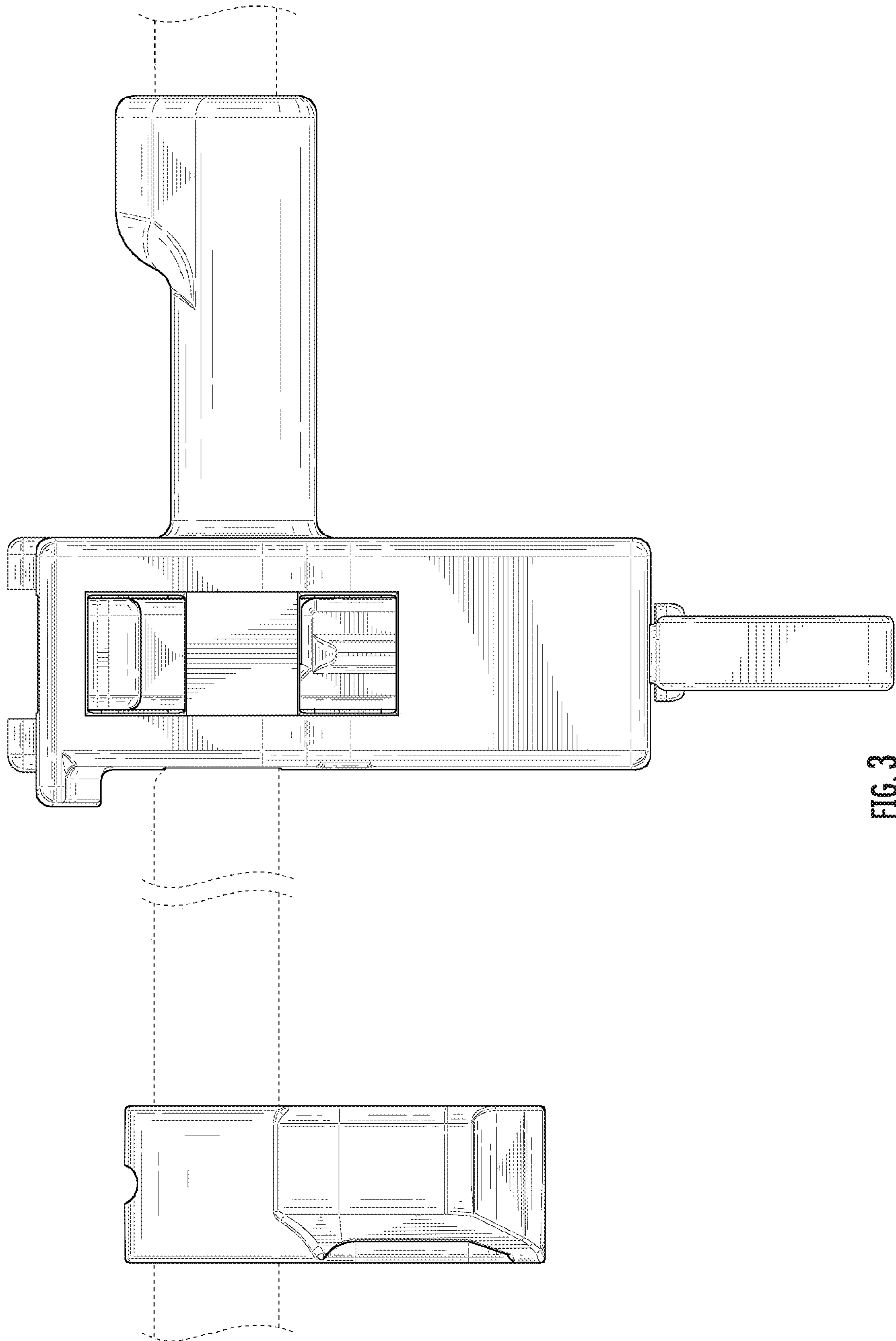


FIG. 3

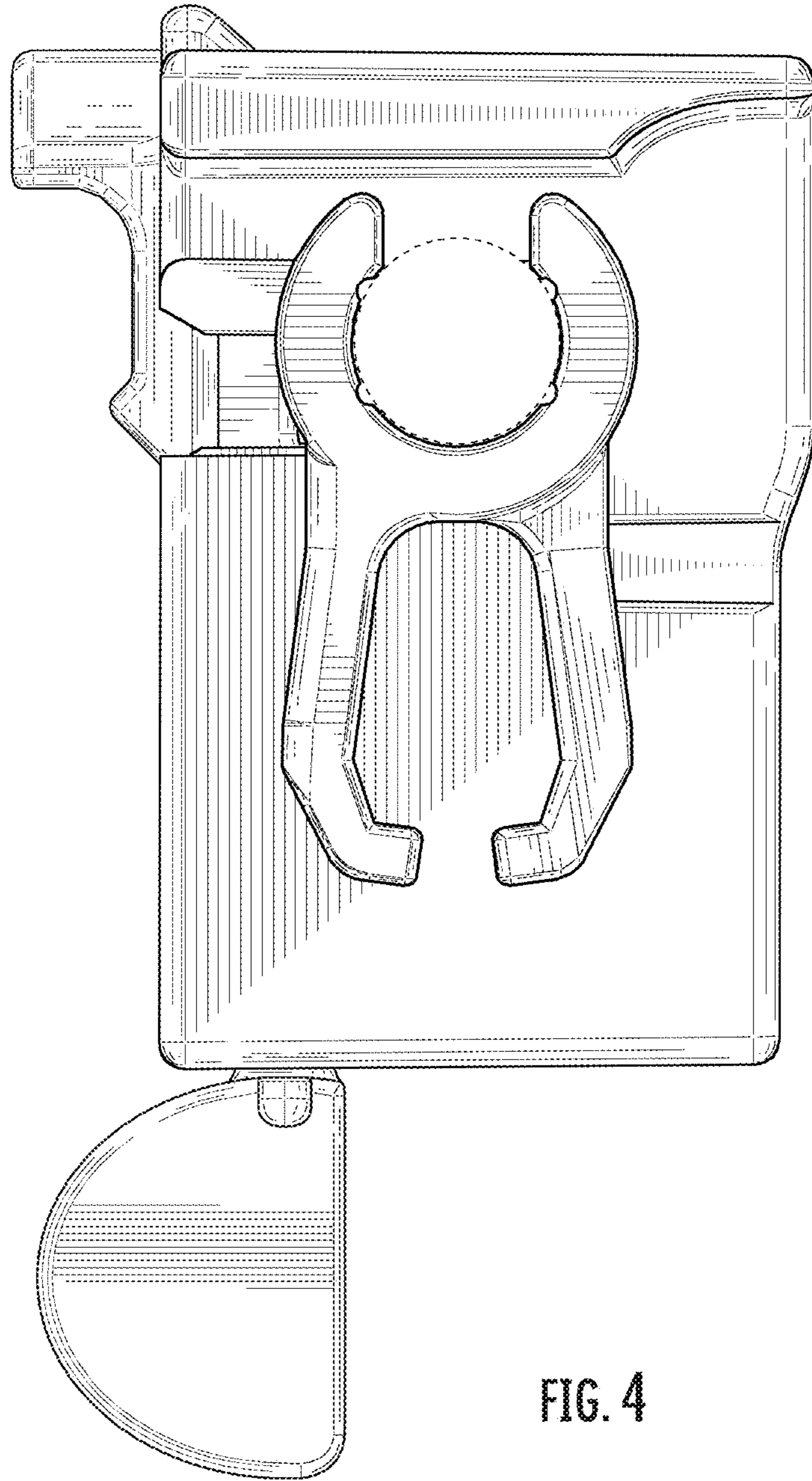


FIG. 4

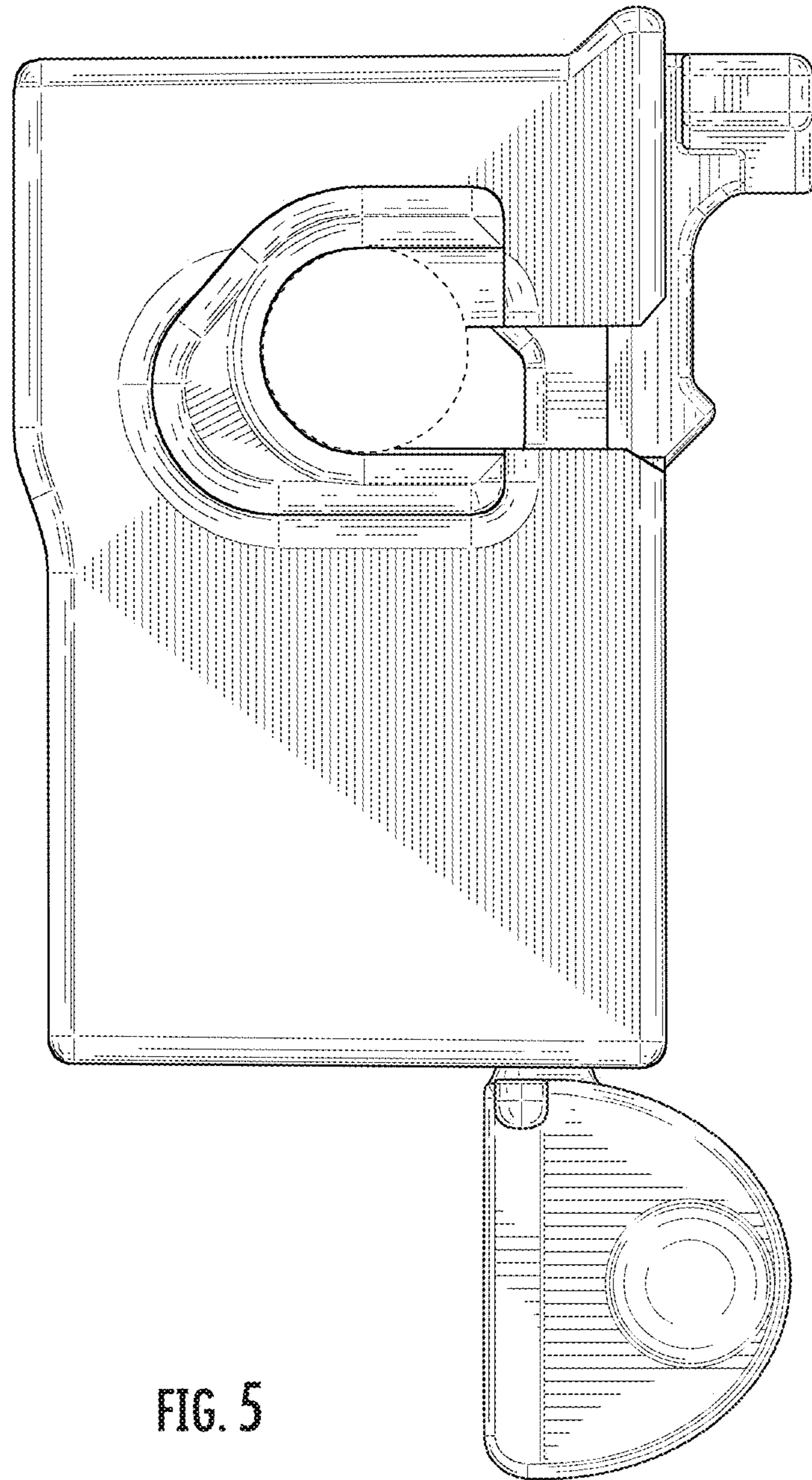


FIG. 5

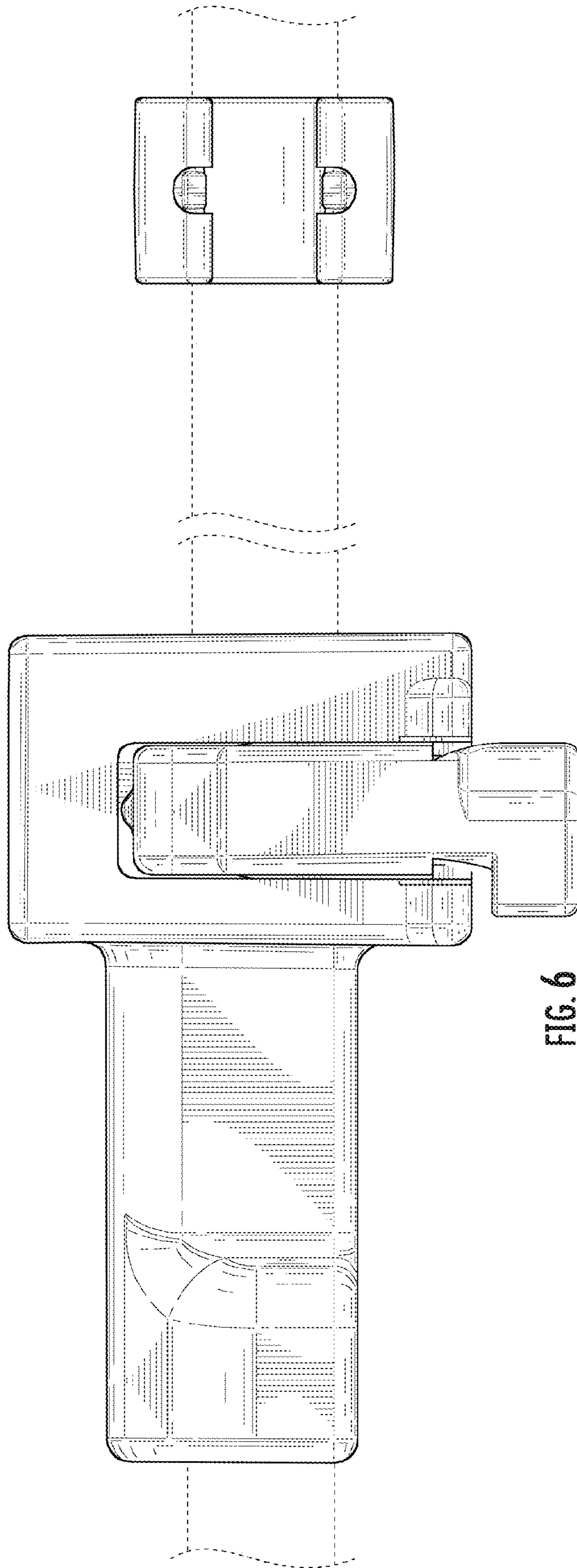


FIG. 6

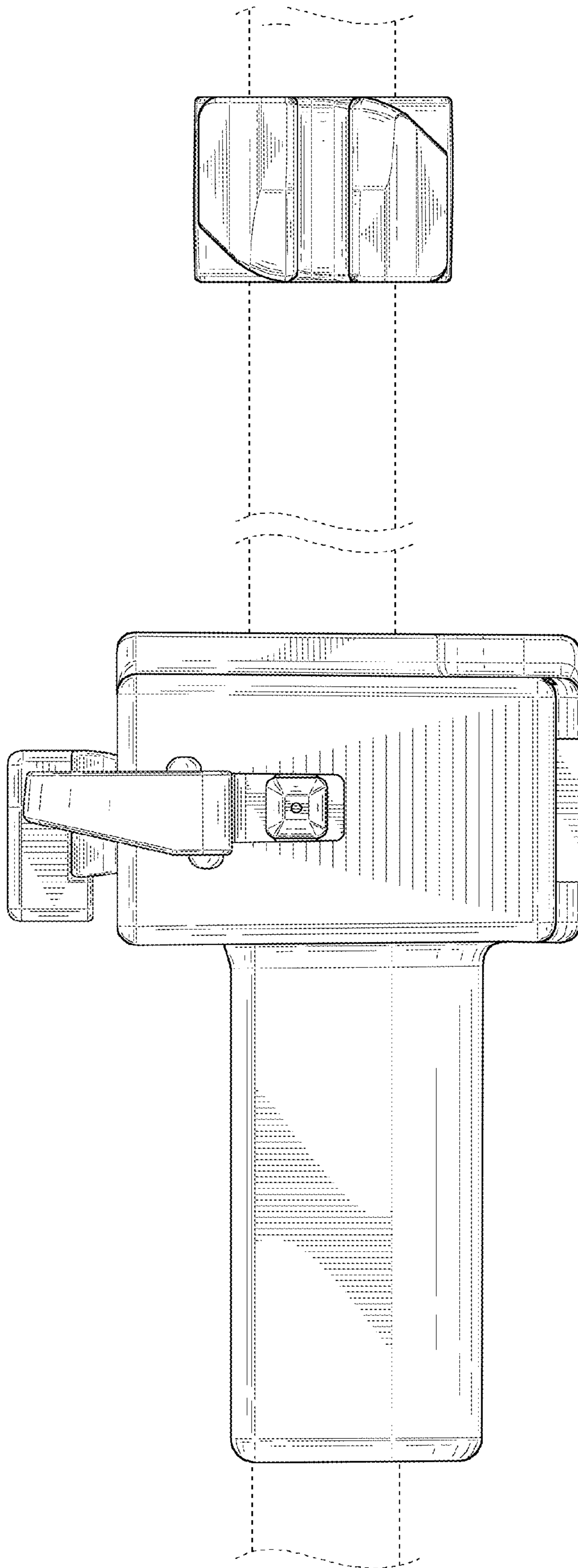


FIG. 7