

US00D967410S

(12) **United States Design Patent**
Cooper

(10) **Patent No.:** **US D967,410 S**
(45) **Date of Patent:** **** Oct. 18, 2022**

(54) **EPINEPHRINE AUTO INJECTOR CARRIER**

OTHER PUBLICATIONS

(71) Applicant: **Kyle Cooper**, Littleton, CO (US)

(72) Inventor: **Kyle Cooper**, Littleton, CO (US)

(**) Term: **15 Years**

(21) Appl. No.: **29/778,746**

(22) Filed: **Apr. 14, 2021**

(51) **LOC (13) Cl.** **24-02**

(52) **U.S. Cl.**
USPC **D24/128**

(58) **Field of Classification Search**
USPC D24/127-129, 110, 110.4, 110.5, 110.6,
D24/112, 113, 121, 186, 231
CPC A61M 5/20; A61M 5/31; A61M 5/3146;
A61M 5/3129
See application file for complete search history.

Casematix Compact Insulated Asthma Inhaler Travel Bag Case, CaseMatix, Amazon, [Post date: Nov. 1, 2019], [Site seen Aug. 18, 2022], Seen at URL: <https://www.amazon.com/Casematix-Insulated-Inhaler-Children-Chamber/dp/B07ZZKQ9R1> (Year: 2019).*
"Rory" Small Auvi-Q or Inhaler Medicine Case, Meds Inside, Allergy Apparel, [Post date: unknown], [Site seen Aug. 17, 2022], Seen at URL: <https://allergyapparel.com/rory-small-auvi-q-or-inhaler-medicine-case/> (Year: 2022).*

* cited by examiner

Primary Examiner — Natasha Vujcic

Assistant Examiner — Gilbert B Ford

(74) *Attorney, Agent, or Firm* — Glenn H. Lenzen; Elevated IP, LLC

(56) **References Cited**

U.S. PATENT DOCUMENTS

D550,447	S	*	9/2007	Opolka	D3/209
D617,547	S	*	6/2010	Mudrick	D3/208
D627,962	S	*	11/2010	Mudrick	D3/208
D771,244	S	*	11/2016	Takemoto	D24/113
D794,803	S	*	8/2017	Thom	D24/169
D819,201	S	*	5/2018	Denzer	D24/127
D833,624	S	*	11/2018	DeJong	D24/186
D888,941	S	*	6/2020	Scrimgeour	D24/113
D930,153	S	*	9/2021	Moriwake	D24/113
D933,234	S	*	10/2021	Al-Ali	D24/165
2018/0104413	A1	*	4/2018	McLoughlin	A61M 5/2033
2019/0275253	A1	*	9/2019	Edwards	A61M 5/2046
2021/0229397	A1	*	7/2021	Conway	B32B 1/00

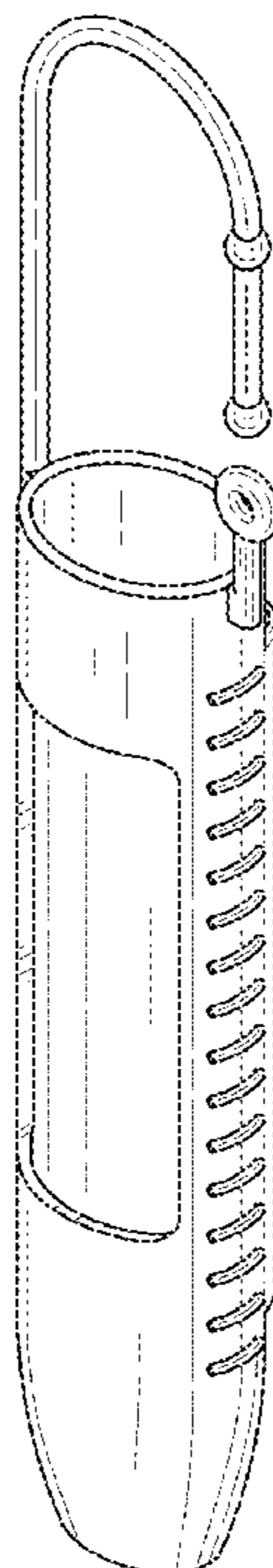
(57) **CLAIM**

I claim, the ornamental design for an epinephrine auto injector carrier, as shown and described.

DESCRIPTION

FIG. 1 is a perspective front view of an epinephrine auto injector carrier according to the present invention;
FIG. 2 is a perspective rear view thereof;
FIG. 3 is a front view thereof;
FIG. 4 is a rear view thereof;
FIG. 5 is a right side view thereof;
FIG. 6 is a left side view thereof;
FIG. 7 is a top view thereof; and,
FIG. 8 is a bottom view thereof.

1 Claim, 7 Drawing Sheets



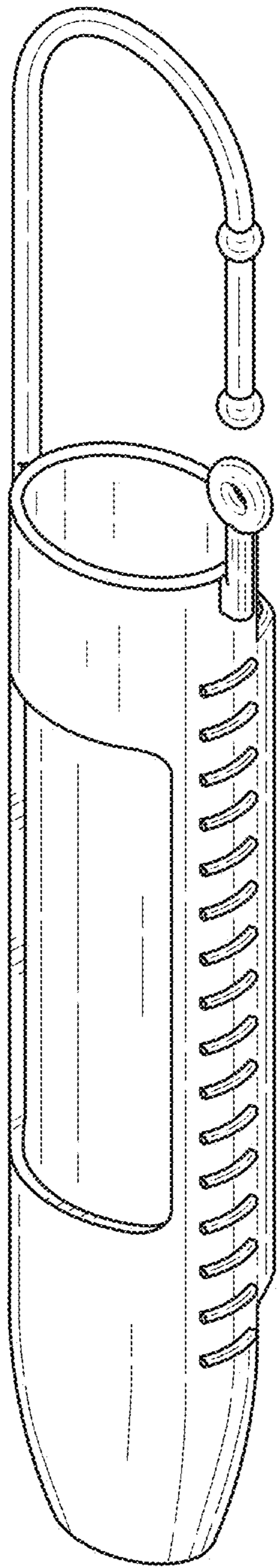


FIG.1

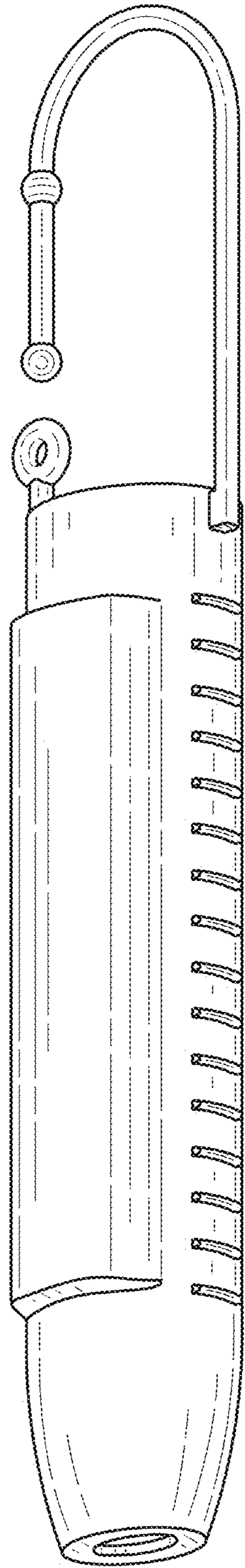


FIG.2

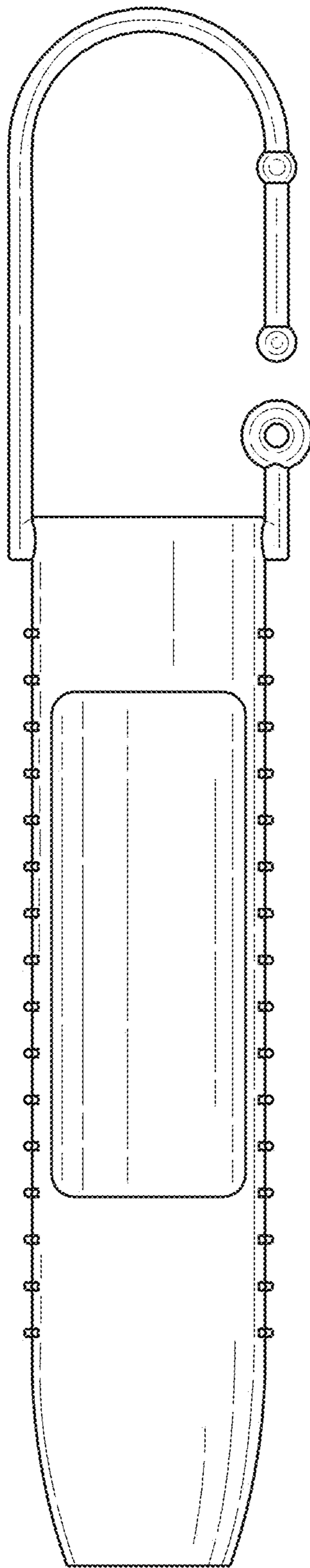


FIG.3

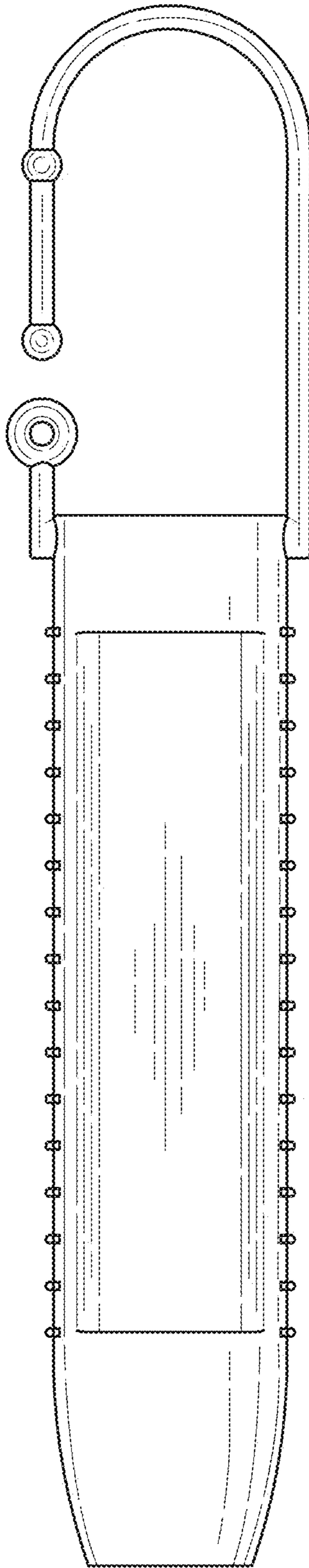


FIG.4

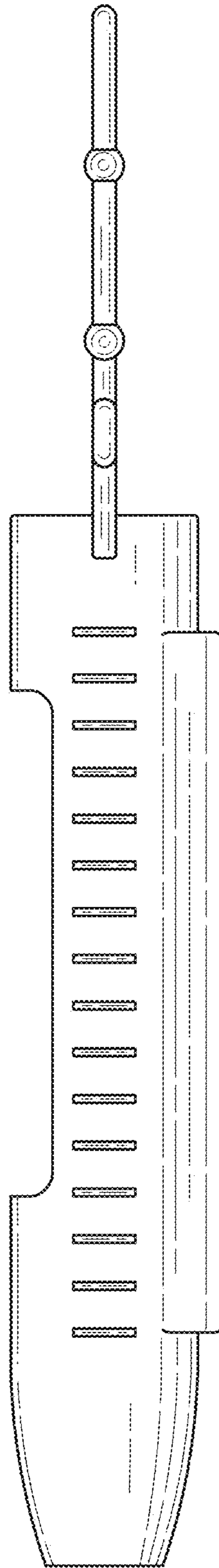


FIG.5

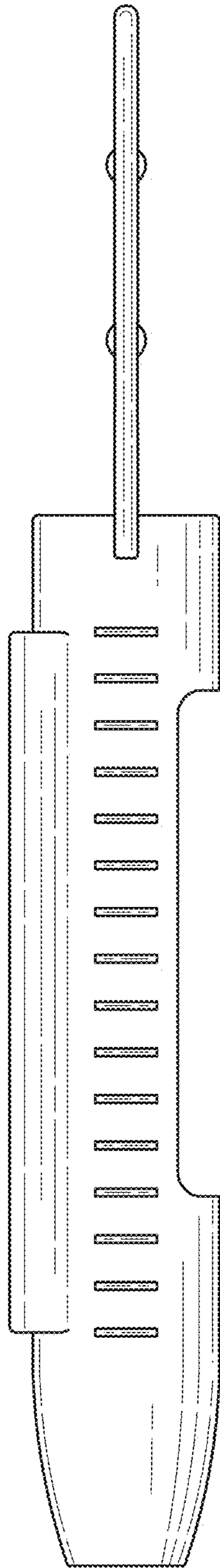


FIG.6

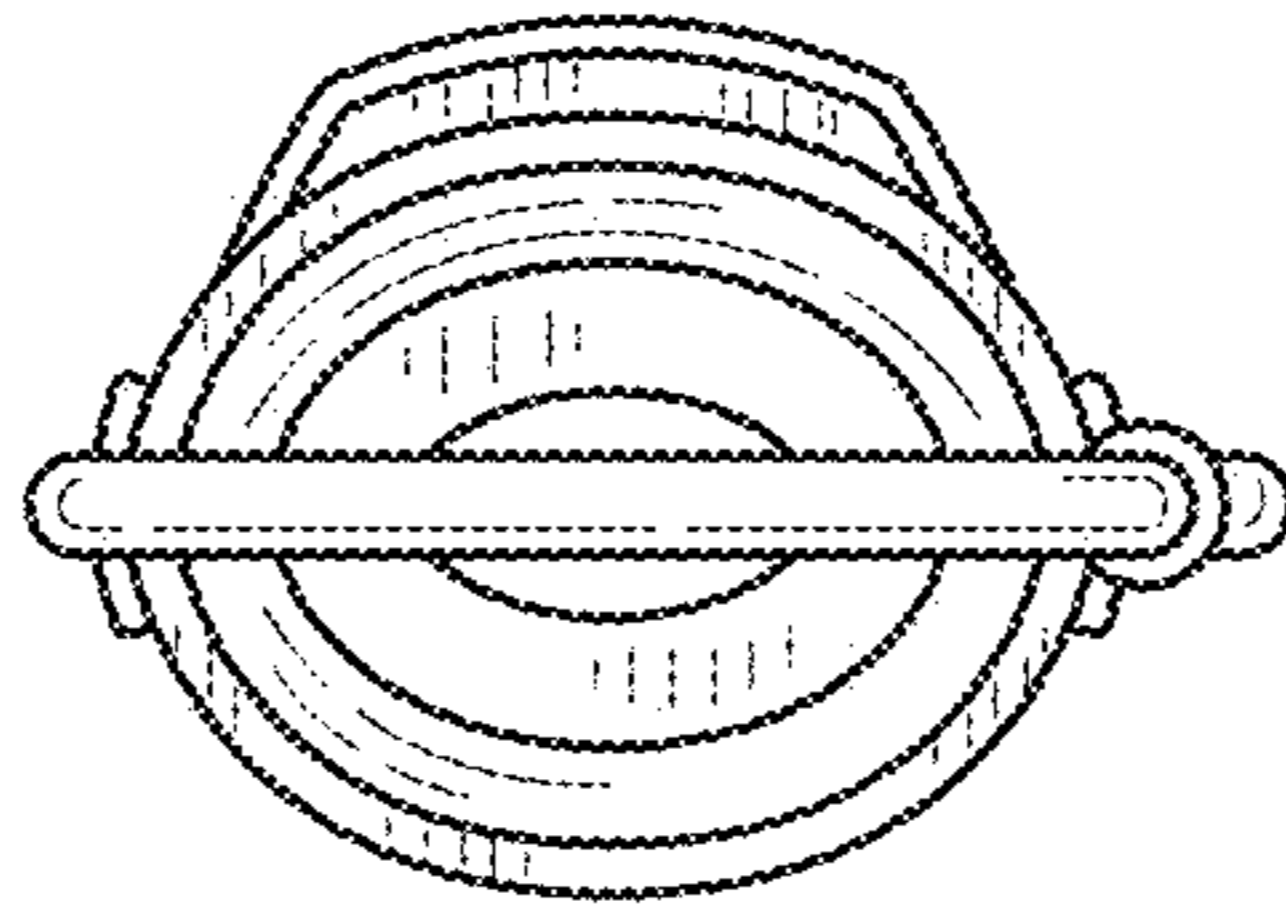


FIG. 7

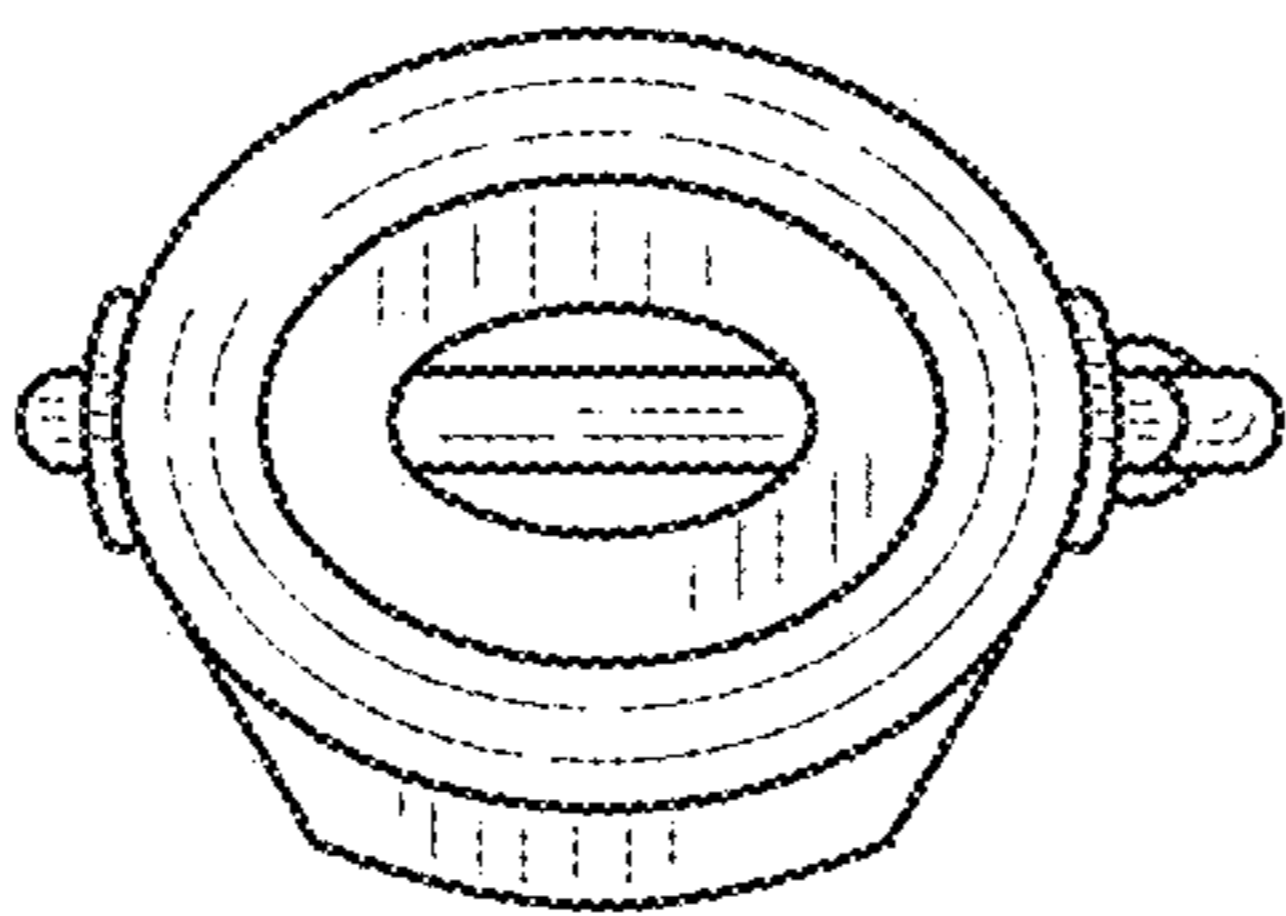


FIG. 8