

US00D967409S

(12) **United States Design Patent** (10) **Patent No.:** **US D967,409 S**  
**Prakash et al.** (45) **Date of Patent:** **\*\* Oct. 18, 2022**

(54) **URINE COLLECTION APPARATUS COVER**

3,312,981 A 4/1967 Mcguire et al.  
3,349,768 A 10/1967 Keane  
3,362,590 A 1/1968 Gene  
3,366,116 A 1/1968 Huck  
3,398,848 A 8/1968 Donovan  
3,400,717 A 9/1968 Bruce et al.

(71) Applicant: **PureWick Corporation**, El Cajon, CA (US)

(72) Inventors: **Bhanu Prakash**, Pamaru (IN); **Ana Minchew**, Covington, GA (US); **Henri Madigan**, Monroe, GA (US); **Claire Gloeckner**, Lilburn, GA (US)

(Continued)

**FOREIGN PATENT DOCUMENTS**

(73) Assignee: **PureWick Corporation**, El Cajon, CA (US)

CA 2165286 C 9/1999  
CA 2354132 A1 6/2000  
(Continued)

(\*\*) Term: **15 Years**

**OTHER PUBLICATIONS**

(21) Appl. No.: **29/741,751**

US 9,908,683 B2, 03/2018, Sandhausen et al. (withdrawn)  
(Continued)

(22) Filed: **Jul. 15, 2020**

(51) **LOC (13) Cl.** ..... **24-02**

*Primary Examiner* — Natasha Vujcic

(52) **U.S. Cl.**

*Assistant Examiner* — Gilbert B Ford

USPC ..... **D24/127**

(74) *Attorney, Agent, or Firm* — Dorsey & Whitney LLP

(58) **Field of Classification Search**

(57) **CLAIM**

USPC ..... D24/121, 122, 124, 127, 132;  
D6/610–612, 615–616, 621

The ornamental design for a urine collection apparatus cover, as shown and described.

CPC ..... A61G 9/003; B60R 7/043; B60N 2/60  
See application file for complete search history.

**DESCRIPTION**

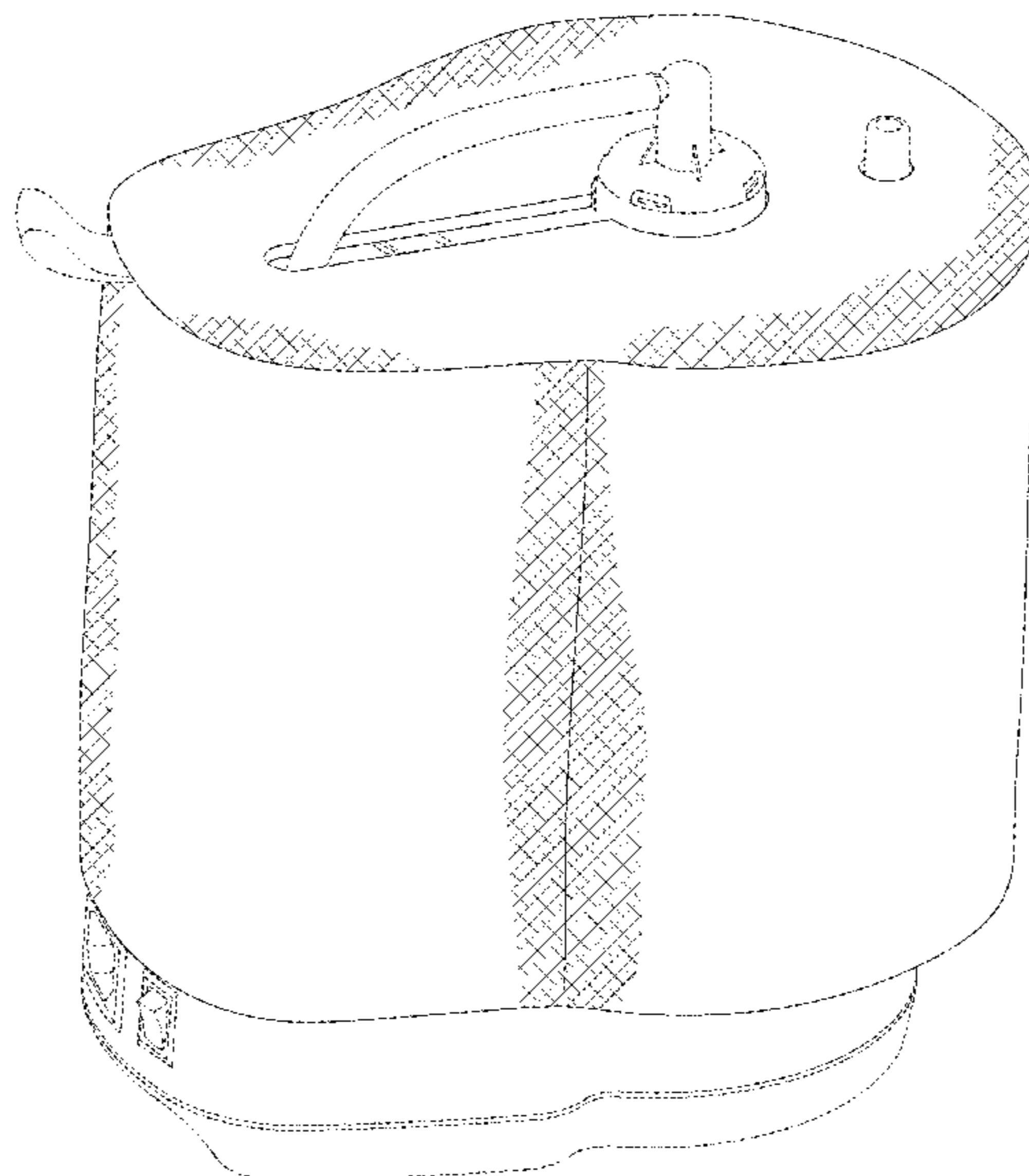
(56) **References Cited**

**U.S. PATENT DOCUMENTS**

1,032,841 A 7/1912 Koenig  
1,742,080 A 12/1929 Jones  
1,979,899 A 11/1934 Obrien et al.  
2,326,881 A 8/1943 Packer  
2,613,670 A 10/1952 Edward  
2,644,234 A 7/1953 Earl  
2,859,786 A 11/1958 Tupper  
2,968,046 A 1/1961 Duke  
2,971,512 A \* 2/1961 Reinhardt ..... A61B 10/007  
604/347  
3,087,938 A 4/1963 Hans et al.  
3,198,994 A 8/1965 Hildebrandt et al.  
3,221,742 A 12/1965 Egon

FIG. 1 is a front, top, perspective view of a urine collection apparatus cover, according to a new design; FIG. 2 is a rear, top, perspective view thereof; FIG. 3 is a rear elevational view thereof; FIG. 4 is a front elevational view thereof; FIG. 5 is a right side elevational view thereof; FIG. 6 is a left side elevational view thereof; FIG. 7 is a top plan view thereof; and, FIG. 8 is a bottom plan view thereof. The broken lines shown in the drawings depict portions of a urine collection apparatus and the urine collection apparatus cover that form no part of the claimed design.

**1 Claim, 8 Drawing Sheets**



(56)

References Cited

U.S. PATENT DOCUMENTS

3,406,688 A	10/1968	Bruce	4,965,460 A	10/1990	Tanaka et al.
3,425,471 A	2/1969	Yates	4,987,849 A	1/1991	Sherman
3,511,241 A	5/1970	Lee	5,002,541 A	3/1991	Conkling et al.
3,512,185 A	5/1970	Ellis	5,004,463 A	4/1991	Nigay
3,520,300 A	7/1970	Flower	5,031,248 A	7/1991	Kemper
3,528,423 A	9/1970	Lee	5,045,077 A	9/1991	Blake
3,613,123 A	10/1971	Langstrom	5,045,283 A	9/1991	Patel
3,651,810 A	3/1972	Ormerod	5,049,144 A	9/1991	Payton
3,699,815 A	10/1972	Holbrook	5,053,339 A	10/1991	Patel
3,726,277 A	4/1973	Hirschman	5,058,088 A	10/1991	Haas et al.
3,843,016 A	10/1974	Bornhorst et al.	5,071,347 A	12/1991	Mcguire
3,863,798 A	2/1975	Kurihara et al.	5,084,037 A	1/1992	Barnett
3,915,189 A	10/1975	Holbrook et al.	5,100,396 A	3/1992	Zamierowski
3,998,228 A	12/1976	Poidomani	5,147,301 A	9/1992	Ruvio
3,999,550 A	12/1976	Martin	5,195,997 A	3/1993	Carns
4,015,604 A	4/1977	Csillag	5,203,699 A	4/1993	Mcguire
4,020,843 A	5/1977	Kanall	5,244,458 A	9/1993	Takasu
4,022,213 A	5/1977	Stein	5,267,988 A	12/1993	Farkas
4,027,776 A	6/1977	Douglas	5,275,307 A	1/1994	Freese
4,180,178 A	12/1979	Turner	5,294,983 A	3/1994	Ersoz et al.
4,187,953 A	2/1980	Turner	5,295,983 A	3/1994	Kubo
4,194,508 A	3/1980	Anderson	5,300,052 A	4/1994	Kubo
4,200,102 A	4/1980	Duhamel et al.	5,382,244 A	1/1995	Telang
4,202,058 A	5/1980	Anderson	5,423,784 A	6/1995	Metz
4,233,025 A	11/1980	Larson et al.	5,466,229 A	11/1995	Elson et al.
4,233,978 A	11/1980	Hickey	5,478,334 A	12/1995	Bernstein
4,246,901 A	1/1981	Frosch et al.	5,499,977 A	3/1996	Marx
4,257,418 A	3/1981	Hessner	5,543,042 A	8/1996	Filan et al.
4,270,539 A	6/1981	Frosch et al.	D373,928 S	9/1996	Green
4,292,916 A	10/1981	Bradley et al.	5,618,277 A	4/1997	Goulter
4,352,356 A	10/1982	Tong	5,628,735 A	5/1997	Skow
4,360,933 A	11/1982	Kimura et al.	5,636,643 A	6/1997	Argenta et al.
4,365,363 A	12/1982	Windauer	5,637,104 A	6/1997	Ball et al.
4,387,726 A	6/1983	Denard	5,674,212 A	10/1997	Osborn et al.
4,425,130 A	1/1984	Desmarais	5,678,564 A	10/1997	Lawrence et al.
4,446,986 A	5/1984	Bowen et al.	5,678,654 A	10/1997	Uzawa
4,453,938 A	6/1984	Brendling	5,687,429 A	11/1997	Rahlff
4,457,314 A	7/1984	Knowles	5,695,485 A	12/1997	Duperret et al.
4,476,879 A	10/1984	Jackson	5,752,944 A	5/1998	Dann et al.
4,526,688 A	7/1985	Schmidt et al.	5,772,644 A	6/1998	Bark et al.
4,528,703 A	7/1985	Kraus	5,827,243 A	10/1998	Palestrant
D280,438 S *	9/1985	Wendt ..... 4/580	5,827,247 A	10/1998	Kay
4,553,968 A	11/1985	Komis	5,827,250 A	10/1998	Fujioka et al.
4,581,026 A	4/1986	Schneider	5,827,257 A	10/1998	Fujioka et al.
4,610,675 A	9/1986	Triunfol	D401,699 S	11/1998	Herchenbach et al.
4,626,250 A	12/1986	Schneider	5,865,378 A	2/1999	Hollinshead et al.
4,627,846 A	12/1986	Ternstroem	5,887,291 A	3/1999	Bellizzi
4,631,061 A	12/1986	Martin	5,894,608 A	4/1999	Birbara
4,650,477 A	3/1987	Johnson	D409,303 S	5/1999	Oepping
4,681,570 A	7/1987	Dalton	5,911,222 A	6/1999	Lawrence et al.
4,692,160 A	9/1987	Nussbaumer	5,957,904 A	9/1999	Holland
4,707,864 A	11/1987	Ikematsu et al.	5,972,505 A	10/1999	Phillips et al.
4,713,066 A	12/1987	Komis	6,059,762 A	5/2000	Boyer et al.
4,747,166 A	5/1988	Kuntz	6,063,064 A	5/2000	Tuckey et al.
4,752,944 A	6/1988	Conrads et al.	6,105,174 A	8/2000	Karlsten et al.
4,769,215 A	9/1988	Ehrenkranz	6,113,582 A	9/2000	Dwork
4,772,280 A	9/1988	Rooyackers	6,117,163 A	9/2000	Bierman
4,790,830 A	12/1988	Hamacher	6,123,398 A	9/2000	Arai et al.
4,790,835 A	12/1988	Elias	6,129,718 A	10/2000	Wada et al.
4,791,686 A	12/1988	Taniguchi et al.	6,131,964 A	10/2000	Sareshwala
4,795,449 A	1/1989	Schneider et al.	6,152,902 A	11/2000	Christian et al.
4,799,928 A	1/1989	Crowley	6,164,569 A	12/2000	Hollinshead et al.
4,804,377 A	2/1989	Hanifl et al.	6,177,606 B1	1/2001	Etheredge et al.
4,812,053 A	3/1989	Bhattacharjee	6,209,142 B1	4/2001	Mattsson et al.
4,820,297 A	4/1989	Kaufman et al.	6,248,096 B1	6/2001	Dwork et al.
4,846,818 A	7/1989	Keldahl et al.	6,263,887 B1	7/2001	Dunn
4,846,909 A	7/1989	Klug et al.	6,311,339 B1	11/2001	Kraus
4,882,794 A	11/1989	Stewart	6,336,919 B1	1/2002	Davis et al.
4,883,465 A	11/1989	Brennan	6,338,729 B1	1/2002	Wada et al.
4,886,508 A	12/1989	Washington	6,352,525 B1	3/2002	Wakabayashi
4,886,509 A	12/1989	Mattsson	6,409,712 B1	6/2002	Dutari et al.
4,889,533 A	12/1989	Beecher	6,416,500 B1	7/2002	Wada et al.
4,903,254 A	2/1990	Haas	6,428,521 B1	8/2002	Droll
4,905,692 A	3/1990	More	6,475,198 B1	11/2002	Lipman et al.
4,955,922 A	9/1990	Terauchi	6,479,726 B1	11/2002	Cole et al.
			6,491,673 B1	12/2002	Palumbo et al.
			6,508,794 B1	1/2003	Palumbo et al.
			6,540,729 B1	4/2003	Wada et al.
			6,547,771 B2	4/2003	Robertson et al.

(56)

References Cited

U.S. PATENT DOCUMENTS

6,569,133 B2	5/2003	Cheng et al.	7,927,320 B2	4/2011	Goldwasser et al.
D476,518 S *	7/2003	Doppelt ..... D6/610	7,927,321 B2	4/2011	Marland
6,592,560 B2	7/2003	Snyder et al.	7,931,634 B2	4/2011	Swiecicki et al.
6,618,868 B2 *	9/2003	Minnick ..... E04H 4/08 4/498	7,939,706 B2	5/2011	Okabe et al.
6,620,142 B1	9/2003	Flueckiger	7,946,443 B2	5/2011	Stull et al.
6,629,651 B1	10/2003	Male et al.	7,947,025 B2	5/2011	Buglino et al.
6,635,038 B2	10/2003	Scovel	7,963,419 B2	6/2011	Burney et al.
6,652,495 B1	11/2003	Walker	7,976,519 B2	7/2011	Bubb et al.
6,685,684 B1	2/2004	Falconer	7,993,318 B2	8/2011	Olsson et al.
6,702,793 B1	3/2004	Sweetser et al.	8,028,460 B2	10/2011	Williams
6,706,027 B2	3/2004	Harvie et al.	8,047,398 B2	11/2011	Dimartino et al.
6,732,384 B2	5/2004	Scott	8,083,094 B2	12/2011	Caulfield et al.
6,740,066 B2	5/2004	Wolff et al.	8,128,608 B2	3/2012	Thevenin
6,764,477 B1	7/2004	Chen et al.	8,181,651 B2	5/2012	Pinel
6,783,519 B2	8/2004	Samuelsson	8,181,819 B2	5/2012	Burney et al.
6,796,974 B2	9/2004	Palumbo et al.	8,211,063 B2	7/2012	Bierman et al.
6,814,547 B2	11/2004	Childers et al.	8,221,369 B2	7/2012	Parks et al.
6,849,065 B2	2/2005	Schmidt et al.	8,241,262 B2	8/2012	Mahnensmith
6,857,137 B2	2/2005	Otto	8,277,426 B2	10/2012	Wilcox et al.
6,885,690 B2	4/2005	Aggerstam et al.	8,287,508 B1	10/2012	Sanchez
6,888,044 B2	5/2005	Fell et al.	8,303,554 B2	11/2012	Tsai et al.
6,893,425 B2	5/2005	Dunn et al.	8,322,565 B2	12/2012	Caulfield et al.
6,912,737 B2	7/2005	Ernest et al.	8,337,477 B2	12/2012	Parks et al.
6,918,899 B2	7/2005	Harvie	D674,241 S	1/2013	Bickert et al.
6,979,324 B2	12/2005	Bybordi et al.	8,343,122 B2	1/2013	Gorres
7,018,366 B2	3/2006	Easter	8,353,074 B2	1/2013	Krebs
7,066,411 B2	6/2006	Male et al.	8,353,886 B2	1/2013	Bester et al.
7,125,399 B2	10/2006	Miskie	D676,241 S	2/2013	Merrill
7,131,964 B2	11/2006	Harvie	8,388,588 B2	3/2013	Wada et al.
7,135,012 B2	11/2006	Harvie	D679,807 S	4/2013	Burgess et al.
7,141,043 B2	11/2006	Harvie	8,425,482 B2	4/2013	Khoubnazar
D533,972 S *	12/2006	La Luzerne ..... D30/108	8,449,510 B2	5/2013	Martini et al.
7,160,273 B2	1/2007	Greter et al.	D684,260 S *	6/2013	Lund ..... D24/118
7,171,699 B2	2/2007	Ernest et al.	8,470,230 B2	6/2013	Caulfield et al.
7,171,871 B2	2/2007	Kozak	8,479,941 B2	7/2013	Matsumoto et al.
7,179,951 B2	2/2007	Krishnaswamy-mirle et al.	8,479,949 B2	7/2013	Henkel
7,181,781 B1	2/2007	Trabold et al.	8,529,530 B2	9/2013	Koch et al.
7,186,245 B1	3/2007	Cheng et al.	8,535,284 B2	9/2013	Joder et al.
7,192,424 B2	3/2007	Cooper	8,546,639 B2	10/2013	Wada et al.
7,220,250 B2	5/2007	Suzuki et al.	8,551,075 B2	10/2013	Bengtson
D562,975 S *	2/2008	Otto ..... D24/108	8,568,376 B2	10/2013	Delattre et al.
7,335,189 B2	2/2008	Harvie	D694,404 S	11/2013	Burgess et al.
7,358,282 B2	4/2008	Krueger et al.	8,585,683 B2	11/2013	Bengtson et al.
7,390,320 B2	6/2008	Machida et al.	8,652,112 B2	2/2014	Johannison et al.
7,438,706 B2	10/2008	Koizumi et al.	D702,973 S *	4/2014	Norland ..... D6/610
7,488,310 B2	2/2009	Yang	8,703,032 B2	4/2014	Menon et al.
D591,106 S	4/2009	Dominique et al.	D704,330 S	5/2014	Cicatelli
7,513,381 B2	4/2009	Heng et al.	D704,510 S	5/2014	Mason et al.
7,520,872 B2	4/2009	Biggie et al.	D705,423 S	5/2014	Walsh Cutler
D593,801 S	6/2009	Wilson et al.	D705,926 S	5/2014	Burgess et al.
7,540,364 B2	6/2009	Sanderson	8,714,394 B2	5/2014	Wulf
7,588,560 B1	9/2009	Dunlop	8,715,267 B2	5/2014	Bengtson et al.
7,665,359 B2	2/2010	Barber	8,757,425 B2	6/2014	Copeland
7,682,347 B2	3/2010	Parks et al.	8,777,032 B2	7/2014	Biesecker et al.
7,687,004 B2	3/2010	Allen	8,808,260 B2	8/2014	Koch et al.
7,695,459 B2	4/2010	Gilbert et al.	8,864,730 B2	10/2014	Conway et al.
7,695,460 B2	4/2010	Wada et al.	8,881,923 B2	11/2014	Higginson
7,699,818 B2	4/2010	Gilbert	8,936,585 B2	1/2015	Carson et al.
7,699,831 B2	4/2010	Bengtson et al.	D729,581 S	5/2015	Boroski
7,722,584 B2	5/2010	Tanaka et al.	9,028,460 B2	5/2015	Medeiros
7,727,206 B2	6/2010	Gorres	9,056,698 B2	6/2015	Noer
7,740,620 B2	6/2010	Gilbert et al.	9,173,602 B2	11/2015	Gilbert
7,749,205 B2	7/2010	Tazoe et al.	9,173,799 B2	11/2015	Tanimoto et al.
7,755,497 B2	7/2010	Wada et al.	9,187,220 B2	11/2015	Biesecker et al.
7,766,887 B2	8/2010	Burns et al.	9,199,772 B2	12/2015	Krippendorf
D625,407 S *	10/2010	Koizumi ..... D24/122	9,248,058 B2	2/2016	Conway et al.
7,806,879 B2	10/2010	Brooks et al.	9,308,118 B1	4/2016	Dupree et al.
7,815,067 B2	10/2010	Matsumoto et al.	9,309,029 B2	4/2016	Incorvia et al.
7,833,169 B2	11/2010	Hannon	9,333,281 B2	5/2016	Giezendanner et al.
7,857,806 B2	12/2010	Karpowicz et al.	9,382,047 B2	7/2016	Schmidtner et al.
7,866,942 B2	1/2011	Harvie	9,456,937 B2	10/2016	Ellis
7,871,385 B2	1/2011	Levinson et al.	9,480,595 B2	11/2016	Baham et al.
7,875,010 B2	1/2011	Frazier et al.	9,517,865 B2	12/2016	Albers et al.
7,901,389 B2	3/2011	Mombrinie	D777,941 S	1/2017	Piramoone
			9,533,806 B2	1/2017	Ding et al.
			9,550,611 B2	1/2017	Hodge
			9,555,930 B2	1/2017	Campbell et al.
			D789,522 S	6/2017	Burgess et al.
			9,687,849 B2	6/2017	Bruno et al.

(56)

References Cited

U.S. PATENT DOCUMENTS

9,694,949 B2	7/2017	Hendricks et al.	2005/0010182 A1	1/2005	Parks et al.
9,788,992 B2	10/2017	Harvie	2005/0033248 A1	2/2005	Machida et al.
D804,907 S	12/2017	Sandoval	2005/0070861 A1	3/2005	Okabe et al.
9,868,564 B2	1/2018	McGirr et al.	2005/0070862 A1	3/2005	Tazoe et al.
D814,239 S	4/2018	Arora	2005/0082300 A1	4/2005	Modrell et al.
D817,484 S *	5/2018	Lafond ..... D24/118	2005/0097662 A1	5/2005	Leimkuhler et al.
10,037,640 B2	7/2018	Gordon	2005/0101924 A1	5/2005	Elson et al.
10,058,470 B2	8/2018	Phillips	2005/0137557 A1	6/2005	Swiecicki et al.
10,098,990 B2	10/2018	Koch et al.	2005/0177070 A1	8/2005	Levinson et al.
D835,264 S	12/2018	Mozzicato et al.	2005/0197639 A1	9/2005	Mombrinie
D835,779 S	12/2018	Mozzicato et al.	2005/0277904 A1	12/2005	Chase et al.
D840,533 S	2/2019	Mozzicato et al.	2005/0279359 A1	12/2005	LeBlanc et al.
D840,534 S	2/2019	Mozzicato et al.	2006/0004332 A1	1/2006	Marx
10,225,376 B2	3/2019	Perez Martinez	2006/0015080 A1	1/2006	Mahnensmith
10,226,376 B2	3/2019	Sanchez et al.	2006/0015081 A1	1/2006	Suzuki et al.
D848,612 S	5/2019	Mozzicato et al.	2006/0016778 A1	1/2006	Park
10,307,305 B1	6/2019	Hodges	2006/0111648 A1	5/2006	Vermaak
10,335,121 B2	7/2019	Desai	2006/0155214 A1	7/2006	Wightman
D856,512 S	8/2019	Cowart et al.	2006/0200102 A1	9/2006	Cooper
10,376,406 B2	8/2019	Newton	2006/0229576 A1	10/2006	Conway et al.
10,376,407 B2	8/2019	Newton	2006/0231648 A1	10/2006	Male et al.
10,390,989 B2	8/2019	Sanchez et al.	2006/0235359 A1	10/2006	Marland
D858,144 S *	9/2019	Fu ..... D6/610	2007/0006368 A1	1/2007	Key et al.
10,406,039 B2	9/2019	Villarreal	2007/0038194 A1	2/2007	Wada et al.
10,407,222 B2	9/2019	Allen	2007/0117880 A1	5/2007	Elson et al.
10,478,356 B2	11/2019	Griffin	2007/0135786 A1	6/2007	Schmidt et al.
10,538,366 B2	1/2020	Pentelovitch et al.	2007/0149935 A1	6/2007	Dirico
10,569,938 B2	2/2020	Zhao et al.	2007/0191804 A1	8/2007	Coley
10,577,156 B2	3/2020	Dagnelie et al.	2007/0214553 A1	9/2007	Carromba et al.
10,618,721 B2	4/2020	Vazin	2007/0225668 A1	9/2007	Otto
D884,390 S *	5/2020	Wang ..... D6/610	2007/0266486 A1	11/2007	Ramirez
10,669,079 B2	6/2020	Freedman et al.	2008/0004576 A1	1/2008	Tanaka et al.
D892,315 S	8/2020	Airy	2008/0015526 A1	1/2008	Reiner et al.
10,730,672 B2	8/2020	Bertram et al.	2008/0015527 A1	1/2008	House
10,737,848 B2	8/2020	Philip et al.	2008/0033386 A1	2/2008	Okabe et al.
10,765,854 B2	9/2020	Law et al.	2008/0041869 A1	2/2008	Backaert
10,766,670 B2	9/2020	Kittmann	2008/0091153 A1	4/2008	Harvie
D901,214 S *	11/2020	Hu ..... D6/610	2008/0091158 A1	4/2008	Yang
10,865,017 B1	12/2020	Cowart et al.	2008/0234642 A1	9/2008	Patterson et al.
10,889,412 B2	1/2021	West et al.	2008/0281282 A1	11/2008	Finger et al.
10,913,581 B2	2/2021	Stahlecker	2008/0287894 A1	11/2008	Van Den Heuvel et al.
D912,244 S *	3/2021	Rehm ..... D24/122	2009/0025717 A1	1/2009	Pinel
10,952,889 B2	3/2021	Newton et al.	2009/0056003 A1	3/2009	Ivie et al.
10,973,678 B2	4/2021	Newton et al.	2009/0192482 A1	7/2009	Dodge et al.
10,974,874 B2	4/2021	Ragias et al.	2009/0234312 A1	9/2009	Otoole et al.
11,000,401 B2	5/2021	Ecklund et al.	2009/0251510 A1	10/2009	Noro et al.
D923,365 S *	6/2021	Wang ..... D6/610	2009/0264840 A1	10/2009	Virginio
11,027,900 B2	6/2021	Liu	2009/0270822 A1	10/2009	Medeiros
11,045,346 B2	6/2021	Argent et al.	2009/0281510 A1	11/2009	Fisher
D928,946 S *	8/2021	Sanchez ..... D24/122	2010/0004612 A1	1/2010	Thevenin
11,179,506 B2	11/2021	Barr et al.	2010/0058660 A1*	3/2010	Williams ..... B65D 65/02 47/86
11,226,376 B2	1/2022	Yamauchi et al.	2010/0121289 A1	5/2010	Parks et al.
2001/0037097 A1	11/2001	Cheng et al.	2010/0158168 A1	6/2010	Murthy et al.
2001/0054426 A1	12/2001	Knudson et al.	2010/0185168 A1	7/2010	Graauw et al.
2002/0019614 A1	2/2002	Woon	2010/0198172 A1	8/2010	Wada et al.
2002/0026161 A1	2/2002	Grundke	2010/0211032 A1	8/2010	Tsai et al.
2002/0087131 A1	7/2002	Wolff et al.	2010/0234820 A1	9/2010	Tsai et al.
2002/0189992 A1	12/2002	Schmidt et al.	2010/0241104 A1	9/2010	Gilbert
2003/0004436 A1	1/2003	Schmidt et al.	2010/0263113 A1	10/2010	Shelton et al.
2003/0120178 A1	6/2003	Heki	2010/0310845 A1	12/2010	Bond et al.
2003/0157859 A1	8/2003	Ishikawa	2011/0028922 A1	2/2011	Kay et al.
2003/0181880 A1	9/2003	Schwartz	2011/0034889 A1	2/2011	Smith
2003/0195484 A1	10/2003	Harvie	2011/0036837 A1	2/2011	Shang
2003/0233079 A1	12/2003	Parks et al.	2011/0040267 A1	2/2011	Wada et al.
2004/0006321 A1	1/2004	Cheng et al.	2011/0040271 A1	2/2011	Rogers et al.
2004/0056122 A1	3/2004	Male et al.	2011/0054426 A1	3/2011	Stewart et al.
2004/0084465 A1	5/2004	Luburic	2011/0060300 A1	3/2011	Weig et al.
2004/0127872 A1	7/2004	Petryk et al.	2011/0077495 A1	3/2011	Gilbert
2004/0128749 A1	7/2004	Scott	2011/0137273 A1	6/2011	Muellejans et al.
2004/0143229 A1	7/2004	Easter	2011/0172620 A1	7/2011	Khambatta
2004/0176731 A1	9/2004	Cheng et al.	2011/0172625 A1	7/2011	Wada et al.
2004/0191919 A1	9/2004	Unger et al.	2011/0202024 A1	8/2011	Cozzens
2004/0207530 A1	10/2004	Nielsen	2011/0240648 A1	10/2011	Tucker
2004/0236292 A1	11/2004	Tazoe et al.	2012/0035577 A1	2/2012	Tomes et al.
2004/0254547 A1	12/2004	Okabe et al.	2012/0103347 A1	5/2012	Wheaton et al.
			2012/0165768 A1	6/2012	Sekiyama et al.
			2012/0165786 A1	6/2012	Chappa et al.
			2012/0210503 A1	8/2012	Anzivino et al.

(56)

## References Cited

## U.S. PATENT DOCUMENTS

2012/0233761 A1 9/2012 Huang  
 2012/0245542 A1 9/2012 Suzuki et al.  
 2012/0245547 A1 9/2012 Wilcox et al.  
 2012/0253303 A1 10/2012 Suzuki et al.  
 2012/0330256 A1 12/2012 Wilcox et al.  
 2013/0006206 A1 1/2013 Wada et al.  
 2013/0045651 A1 2/2013 Esteves et al.  
 2013/0053804 A1 2/2013 Soerensen et al.  
 2013/0096523 A1 4/2013 Chang et al.  
 2013/0245496 A1 9/2013 Wells et al.  
 2013/0292537 A1 11/2013 Dirico  
 2014/0031774 A1 1/2014 Bengtson  
 2014/0157499 A1 6/2014 Suzuki et al.  
 2014/0182051 A1 7/2014 Tanimoto et al.  
 2014/0196189 A1 7/2014 Lee et al.  
 2014/0276501 A1 9/2014 Cisco  
 2014/0316381 A1 10/2014 Reglin  
 2014/0325746 A1 11/2014 Block  
 2014/0348139 A1 11/2014 Gomez Martinez  
 2014/0352050 A1 12/2014 Yao et al.  
 2014/0371628 A1 12/2014 Desai  
 2015/0045757 A1 2/2015 Lee et al.  
 2015/0047114 A1 2/2015 Ramirez  
 2015/0048089 A1 2/2015 Robertson  
 2015/0135423 A1 5/2015 Sharpe et al.  
 2015/0157300 A1 6/2015 Ealovega et al.  
 2015/0209194 A1 7/2015 Heyman  
 2015/0290425 A1 10/2015 Macy et al.  
 2015/0320583 A1 11/2015 Harvie  
 2015/0329255 A1 11/2015 Rzepecki  
 2015/0359660 A1 12/2015 Harvie  
 2015/0366699 A1 12/2015 Nelson  
 2016/0029998 A1 2/2016 Brister et al.  
 2016/0038356 A1 2/2016 Yao et al.  
 2016/0058322 A1 3/2016 Brister et al.  
 2016/0060001 A1 3/2016 Wada et al.  
 2016/0100976 A1 4/2016 Conway et al.  
 2016/0106604 A1 4/2016 Timm  
 2016/0278662 A1 9/2016 Brister et al.  
 2016/0366699 A1 12/2016 Zhang et al.  
 2016/0367226 A1 12/2016 Newton et al.  
 2016/0367411 A1 12/2016 Justiz et al.  
 2016/0367726 A1 12/2016 Gratzner  
 2016/0374848 A1 12/2016 Sanchez et al.  
 2017/0007438 A1 1/2017 Harvie  
 2017/0128638 A1 5/2017 Giezendanner et al.  
 2017/0143534 A1 5/2017 Sanchez  
 2017/0165405 A1 6/2017 Muser et al.  
 2017/0189225 A1 7/2017 Voorhees et al.  
 2017/0202692 A1 7/2017 Laniado  
 2017/0216081 A1 8/2017 Accosta  
 2017/0246026 A1 8/2017 Laniado  
 2017/0252014 A1 9/2017 Siller Gonzalez et al.  
 2017/0252202 A9 9/2017 Sanchez et al.  
 2017/0266031 A1 9/2017 Sanchez et al.  
 2017/0266658 A1 9/2017 Bruno et al.  
 2017/0281399 A1 10/2017 Vanmiddendorp et al.  
 2017/0312116 A1 11/2017 Laniado  
 2017/0325788 A1 11/2017 Ealovega et al.  
 2017/0333244 A1 11/2017 Laniado  
 2017/0042748 A1 12/2017 Griffin  
 2017/0348139 A1 12/2017 Newton et al.  
 2017/0354532 A1 12/2017 Holt  
 2017/0367873 A1 12/2017 Grannum  
 2018/0002075 A1 1/2018 Lee  
 2018/0008451 A1 1/2018 Stroebech  
 2018/0008804 A1 1/2018 Laniado  
 2018/0028349 A1 2/2018 Newton et al.  
 2018/0037384 A1 2/2018 Archeny et al.  
 2018/0049910 A1 2/2018 Newton  
 2018/0064572 A1 3/2018 Wiltshire  
 2018/0127187 A1 5/2018 Sewell  
 2018/0200101 A1 7/2018 Su  
 2018/0228642 A1 8/2018 Davis et al.  
 2019/0021899 A1 1/2019 Vlet

2019/0038451 A1 2/2019 Harvie  
 2019/0046102 A1 2/2019 Kushnir et al.  
 2019/0100362 A1 4/2019 Meyers et al.  
 2019/0133814 A1 5/2019 Tammen et al.  
 2019/0142624 A1 5/2019 Sanchez et al.  
 2019/0224036 A1 7/2019 Sanchez et al.  
 2019/0247222 A1 8/2019 Ecklund et al.  
 2019/0282391 A1 9/2019 Johannes et al.  
 2019/0314189 A1 10/2019 Acosta  
 2019/0314190 A1 10/2019 Sanchez et al.  
 2019/0344934 A1 11/2019 Faerber et al.  
 2019/0365307 A1 12/2019 Laing et al.  
 2019/0365561 A1 12/2019 Newton et al.  
 2020/0046544 A1 2/2020 Godinez et al.  
 2020/0055638 A1 2/2020 Lau et al.  
 2020/0070392 A1 3/2020 Huber et al.  
 2020/0085610 A1 3/2020 Cohn et al.  
 2020/0171217 A9 6/2020 Braga et al.  
 2020/0229964 A1 7/2020 Staali et al.  
 2020/0231343 A1 7/2020 Freedman et al.  
 2020/0232841 A1 7/2020 Satish et al.  
 2020/0255189 A1 8/2020 Liu  
 2020/0331672 A1 10/2020 Bertram et al.  
 2020/0353135 A1 11/2020 Gregory et al.  
 2020/0367677 A1 11/2020 Silsby et al.  
 2020/0369444 A1 11/2020 Silsby et al.  
 2020/0385179 A1 12/2020 McCourt  
 2020/0390592 A1 12/2020 Merrill  
 2021/0008771 A1 1/2021 Huber et al.  
 2021/0009323 A1 1/2021 Markarian et al.  
 2021/0061523 A1 3/2021 Bytheway  
 2021/0069005 A1 3/2021 Sanchez et al.  
 2021/0069008 A1 3/2021 Blabas et al.  
 2021/0121318 A1 4/2021 Pinlac  
 2021/0137724 A1 5/2021 Ecklund et al.  
 2021/0154055 A1 5/2021 Villarreal  
 2021/0170079 A1 6/2021 Radl et al.  
 2021/0220162 A1 7/2021 Jamison  
 2021/0220163 A1 7/2021 Mayrand  
 2021/0229877 A1 7/2021 Ragias et al.  
 2021/0267787 A1 9/2021 Nazemi  
 2021/0386925 A1 12/2021 Hartwell et al.  
 2022/0023091 A1 1/2022 Ecklund et al.  
 2022/0066825 A1 3/2022 Saraf et al.

## FOREIGN PATENT DOCUMENTS

CA 3098571 A1 11/2019  
 CN 2269203 Y 12/1997  
 CN 1332620 A 1/2002  
 CN 1533755 A 10/2004  
 CN 1602825 A 4/2005  
 CN 1720888 A 1/2006  
 CN 101262836 A 9/2008  
 CN 202184840 U 4/2012  
 CN 103717180 A 4/2014  
 CN 205849719 U 1/2017  
 CN 107847384 A 3/2018  
 CN 209285902 U 8/2019  
 DE 79818 C 10/1893  
 DE 1516466 A1 6/1969  
 DE 2721330 A1 11/1977  
 DE 2742298 A1 3/1978  
 DE 9407554.9 U1 5/1995  
 DE 4443710 A1 6/1995  
 DE 19619597 A1 11/1997  
 DE 102011103783 A1 12/2012  
 DE 202015104597 U1 7/2016  
 DK 9600118 11/1996  
 EP 0032138 A2 7/1981  
 EP 066070 B1 12/1982  
 EP 0066070 B1 12/1982  
 EP 0119143 B1 11/1988  
 EP 0610638 A1 8/1994  
 EP 0613355 A1 9/1994  
 EP 0613355 B1 1/1997  
 EP 1332738 A1 8/2003  
 EP 1382318 A1 1/2004  
 EP 1616542 A1 1/2006

(56)

## References Cited

FOREIGN PATENT DOCUMENTS			WO			
EP	1382318	B1	5/2006	WO	0057784	A1 10/2000
EP	1063953	B1	1/2007	WO	0145618	A1 6/2001
EP	1872752	A1	1/2008	WO	0145621	A1 6/2001
EP	2180907	A1	5/2010	WO	02094160	A1 11/2002
EP	2380532	A1	10/2011	WO	03013967	A1 2/2003
EP	2389908	A1	11/2011	WO	03024824	A1 3/2003
EP	2676643	A1	12/2013	WO	03071931	A2 9/2003
EP	2997950	A2	3/2016	WO	03079942	A1 10/2003
EP	2879534	B1	3/2017	WO	03071931	A3 2/2004
EP	3424471	A1	1/2019	WO	2004019836	A1 3/2004
EP	3169292	B1	11/2019	WO	2004024046	A1 3/2004
EP	3752110	B1	3/2022	WO	2005074571	A3 9/2005
GB	1011517	A	12/1965	WO	2005089687	A2 9/2005
GB	1467144	A	3/1977	WO	2005107661	A2 11/2005
GB	2106395	A	4/1983	WO	2007007845	A1 1/2007
GB	2171315	A	8/1986	WO	2007042823	A2 4/2007
GB	2148126	B	7/1987	WO	2007055651	A1 5/2007
GB	2191095	A	12/1987	WO	2006098950	A3 11/2007
GB	2199750	A	7/1988	WO	2007134608	A2 11/2007
GB	2260907	A	5/1993	WO	2007128156	A3 2/2008
GB	2462267	A	2/2010	WO	2008078117	A1 7/2008
GB	2469496	A	10/2010	WO	2008104019	A1 9/2008
JP	S5410596	A	1/1979	WO	2008141471	A1 11/2008
JP	S5410596	Y2	5/1979	WO	2009004368	A1 1/2009
JP	S55155618	A	12/1980	WO	2009004369	A1 1/2009
JP	S5888596	U	6/1983	WO	2009052496	A1 4/2009
JP	S63107780	U	7/1988	WO	2009007702	A4 7/2009
JP	H0267530	A	3/1990	WO	2009101738	A1 8/2009
JP	H02103871	A	4/1990	WO	2010058192	A1 5/2010
JP	H0460220	A	2/1992	WO	2010101915	A3 1/2011
JP	H05123349	A	5/1993	WO	2011018132	A1 2/2011
JP	3087938	B2	10/1995	WO	2011018133	A1 2/2011
JP	H1040141	A	2/1998	WO	2011024864	A1 3/2011
JP	H11113946	A	4/1999	WO	2011054118	A1 5/2011
JP	H11290365	A	10/1999	WO	2011107972	A1 9/2011
JP	2000185068	A	7/2000	WO	2011108972	A1 9/2011
JP	2001054531	A	2/2001	WO	2011117292	A1 9/2011
JP	2001070331	A	3/2001	WO	2011123219	A1 10/2011
JP	2001276107	A	10/2001	WO	2011132043	A1 10/2011
JP	2001276108	A	10/2001	WO	2012012908	A1 2/2012
JP	2003180722	A	7/2003	WO	2012065274	A1 5/2012
JP	2004130056	A	4/2004	WO	2012097462	A1 7/2012
JP	2004267530	A	9/2004	WO	2012098796	A1 7/2012
JP	2005066011	A	3/2005	WO	2012101288	A1 8/2012
JP	2005066325	A	3/2005	WO	2012175916	A1 12/2012
JP	2005518237	A	6/2005	WO	2013018435	A1 2/2013
JP	2006026108	A	2/2006	WO	2013033429	A1 3/2013
JP	2006204868	A	8/2006	WO	2013055434	A1 4/2013
JP	3132659	B2	5/2007	WO	2013103291	A2 7/2013
JP	4039641	B2	11/2007	WO	2013131109	A1 9/2013
JP	2010081981	A	4/2010	WO	2013167478	A1 11/2013
JP	2010536439	A	12/2010	WO	2013177716	A1 12/2013
JP	4747166	B2	5/2011	WO	2014041534	A1 3/2014
JP	2011087823	A	5/2011	WO	2014046420	A1 3/2014
JP	4801218	B1	8/2011	WO	2014118518	A1 8/2014
JP	2011224070	A	11/2011	WO	2014160852	A1 10/2014
JP	2012523869	A	10/2012	WO	2015023599	A1 2/2015
JP	2015092945	A	5/2015	WO	2015052348	A1 4/2015
JP	3198994	B2	7/2015	WO	2015068384	A1 5/2015
KR	101432639	B1	8/2014	WO	2015169403	A1 11/2015
PT	2068717	E	6/2013	WO	2015170307	A1 11/2015
WO	8101957	A1	7/1981	WO	2015197462	A1 12/2015
WO	8804558	A1	6/1988	WO	2016051385	A1 4/2016
WO	9104714	A2	4/1991	WO	2016055989	A1 4/2016
WO	9104714	A3	6/1991	WO	2016071894	A1 5/2016
WO	9220299	A3	2/1993	WO	2016103242	A1 6/2016
WO	9309736	A2	5/1993	WO	2016116915	A1 7/2016
WO	9309736	A3	6/1993	WO	2016124203	A1 8/2016
WO	9600096	A1	1/1996	WO	2016139448	A1 9/2016
WO	9634636	A1	11/1996	WO	2016166562	A1 10/2016
WO	9817211	A1	4/1998	WO	2016167535	A1 10/2016
WO	9830336	A1	7/1998	WO	2016191574	A1 12/2016
WO	0000112	A1	1/2000	WO	2016200088	A1 12/2016
WO	0000113	A1	1/2000	WO	2016200361	A1 12/2016
WO	0033773	A1	6/2000	WO	2016204731	A1 12/2016
				WO	2017001846	A1 1/2017
				WO	2017152198	A1 9/2017
				WO	2017162559	A1 9/2017
				WO	2017205446	A1 11/2017

(56)

## References Cited

## FOREIGN PATENT DOCUMENTS

WO	2017209779	A1	12/2017
WO	2017210524	A1	12/2017
WO	2018022414	A1	2/2018
WO	2018044781	A1	3/2018
WO	2018056953	A1	3/2018
WO	2018090550	A1	5/2018
WO	2018138513	A1	8/2018
WO	2018144318	A1	8/2018
WO	2018144463	A1	8/2018
WO	2018150263	A1	8/2018
WO	2018150268	A1	8/2018
WO	2018152156	A1	8/2018
WO	2018183791	A1	10/2018
WO	2018150267	A3	11/2018
WO	2018235026	A1	12/2018
WO	2018235065	A1	12/2018
WO	2019004404	A1	1/2019
WO	2019065541	A1	4/2019
WO	2019096845	A1	5/2019
WO	2019190593	A1	10/2019
WO	2019212949	A1	11/2019
WO	2019212950	A1	11/2019
WO	2019212951	A1	11/2019
WO	2019212952	A1	11/2019
WO	2019212954	A1	11/2019
WO	2019212955	A1	11/2019
WO	2019212956	A1	11/2019
WO	2019214788	A1	11/2019
WO	2020000994	A1	1/2020
WO	2020020618	A1	1/2020
WO	2020038822	A1	2/2020
WO	2020088409	A1	5/2020
WO	2020049394	A3	6/2020
WO	2020120657	A1	6/2020
WO	2020152575	A1	7/2020
WO	2020182923	A1	9/2020
WO	2020209898	A1	10/2020
WO	2020242790	A1	12/2020
WO	2020256865	A1	12/2020
WO	2021007144	A1	1/2021
WO	2021007345	A1	1/2021
WO	2021010844	A1	1/2021
WO	2021016026	A1	1/2021
WO	2021016300	A1	1/2021
WO	2021034886	A1	2/2021
WO	2021041123	A1	3/2021
WO	2021094352	A1	5/2021
WO	2021155206	A1	8/2021
WO	2021173436	A1	9/2021
WO	2021207621	A1	10/2021
WO	2021257202	A1	12/2021
WO	2022006256	A1	1/2022

## OTHER PUBLICATIONS

Urine bag cover-catheter bag cover 2000 ml volume-Medline style-multiple sclerosis-spine injury-suprapubic catheter-bladder incontinence, The Cotton Bunny, Etsy, [Post date unknown], [Site seen Jan. 12, 2022], Seen at URL: <https://www.etsy.com/listing/1142934658/urine-bag-cover-catheter-bag-cover-2000> (Year: 2022).\*

Vinyl Dust Cover, Janome #741811000, Janome, Sewing Parts Online, [Post date: Aug. 8, 2020], [date seen: Jan. 12, 2022], [Site seen at URL: <https://www.sewingpartsonline.com/vinyl-dust-cover-janome-741811000.aspx>] (Year: 2020).\*

Rising Warrior Insulated Gallon Jug Cover Sleeve | Durable Neoprene 1-Gallon Sports, Rising Warrior, Amazon, [Post date: Sep. 8, 2021], [Date seen: Jan. 12, 2022], Seen at URL: [https://www.amazon.com/Rising-Warrior-Insulated-Sleeve%E2%94%82Durable-Accessory%E2%94%82Outdoor/dp/B09DTN8GV3/ref=asc\\_df\\_B09DTN8GV3/](https://www.amazon.com/Rising-Warrior-Insulated-Sleeve%E2%94%82Durable-Accessory%E2%94%82Outdoor/dp/B09DTN8GV3/ref=asc_df_B09DTN8GV3/) (Year: 2021).\*

Advisory Action for U.S. Appl. No. 14/722,613 dated Mar. 4, 2019.  
Advisory Action for U.S. Appl. No. 14/952,591 dated Jun. 1, 2018.

Advisory Action for U.S. Appl. No. 15/238,427 dated Apr. 10, 2019.  
Corrected International Search Report and Written Opinion for International Application No. PCT/US2017/043025 dated Jan. 11, 2018.

Corrected Notice of Allowability for U.S. Appl. No. 15/221,106 dated Jul. 2, 2019.

Corrected Notice of Allowability for U.S. Appl. No. 15/612,325 dated Mar. 17, 2021.

Final Office Action for U.S. Appl. No. 14/722,613 dated Nov. 29, 2018.

Final Office Action for U.S. Appl. No. 14/947,759 dated Apr. 8, 2016.

Final Office Action for U.S. Appl. No. 14/952,591 dated Feb. 23, 2018.

Final Office Action for U.S. Appl. No. 14/952,591 dated Nov. 1, 2019.

Final Office Action for U.S. Appl. No. 15/171,968 dated Feb. 14, 2020.

Final Office Action for U.S. Appl. No. 15/171,968 dated Mar. 19, 2019.

Final Office Action for U.S. Appl. No. 15/221,106 dated Jan. 23, 2019.

Final Office Action for U.S. Appl. No. 15/238,427 dated Jan. 2, 2019.

Final Office Action for U.S. Appl. No. 15/260,103 dated Feb. 14, 2019.

Final Office Action for U.S. Appl. No. 15/612,325 dated Sep. 17, 2020.

Final Office Action for U.S. Appl. No. 29/624,661 dated Feb. 18, 2020.

International Search Report and Written Opinion from International Application No. PCT/US2016/049274 dated Dec. 1, 2016.

International Search Report and Written Opinion from International Application No. PCT/US2017/035625 dated Aug. 15, 2017.

International Search Report and Written Opinion from International Application No. PCT/US2017/043025 dated Oct. 18, 2017.

International Search Report and Written Opinion from International Application No. PCT/US2018/015968 dated Apr. 6, 2018.

International Search Report and Written Opinion from International Application No. PCT/US2019/029608 dated Sep. 3, 2019.

International Search Report and Written Opinion from International Application No. PCT/US2019/029609 dated Sep. 3, 2019.

International Search Report and Written Opinion from International Application No. PCT/US2019/029610 dated Sep. 3, 2019.

International Search Report and Written Opinion from International Application No. PCT/US2019/029611 dated Jul. 3, 2019.

International Search Report and Written Opinion from International Application No. PCT/US2019/029613 dated Jul. 3, 2019.

International Search Report and Written Opinion from International Application No. PCT/US2019/029614 dated Sep. 26, 2019.

International Search Report and Written Opinion from International Application No. PCT/US2019/029616 dated Aug. 30, 2019.

International Search Report and Written Opinion from International Application No. PCT/US2020/040860 dated Oct. 2, 2020.

International Search Report and Written Opinion from International Application No. PCT/US2020/041242 dated Nov. 17, 2020.

International Search Report and Written Opinion from International Application No. PCT/US2020/041249 dated Oct. 2, 2020.

International Search Report and Written Opinion from International Application No. PCT/US2020/043059 dated Oct. 6, 2020.

International Search Report and Written Opinion from International Application No. PCT/US2020/046914 dated Dec. 1, 2020.

International Search Report and Written Opinion from International Application No. PCT/US2020/061563 dated Feb. 19, 2021.

Issue Notification for U.S. Appl. No. 15/221,106 dated Jul. 24, 2019.

Issue Notification for U.S. Appl. No. 15/238,427 dated Jul. 24, 2019.

Issue Notification for U.S. Appl. No. 15/260,103 dated Aug. 7, 2019.

Issue Notification for U.S. Appl. No. 15/611,587 dated Feb. 20, 2019.

(56)

**References Cited**

## OTHER PUBLICATIONS

Issue Notification for U.S. Appl. No. 15/612,325 dated Mar. 24, 2021.

Non-Final Office Action for U.S. Appl. No. 14/592,591 dated Mar. 20, 2020.

Non-Final Office Action for U.S. Appl. No. 14/722,613 dated Jun. 13, 2019.

Non-Final Office Action for U.S. Appl. No. 14/947,759 dated Mar. 17, 2016.

Non-Final Office Action for U.S. Appl. No. 14/952,591 dated Aug. 1, 2017.

Non-Final Office Action for U.S. Appl. No. 14/952,591 dated Mar. 20, 2020.

Non-Final Office Action for U.S. Appl. No. 14/952,591 dated Mar. 21, 2019.

Non-Final Office Action for U.S. Appl. No. 14/952,591 dated Sep. 28, 2018.

Non-Final Office Action for U.S. Appl. No. 15/171,968 dated May 11, 2020.

Non-Final Office Action for U.S. Appl. No. 15/171,968 dated Aug. 20, 2019.

Non-Final Office Action for U.S. Appl. No. 15/171,968 dated Jun. 12, 2018.

Non-Final Office Action for U.S. Appl. No. 15/221,106 dated Jun. 5, 2018.

Non-Final Office Action for U.S. Appl. No. 15/238,427 dated Aug. 8, 2018.

Non-Final Office Action for U.S. Appl. No. 15/260,103 dated Sep. 26, 2018.

Non-Final Office Action for U.S. Appl. No. 15/611,587 dated Dec. 29, 2017.

Non-Final Office Action for U.S. Appl. No. 15/611,587 dated Jul. 13, 2018.

Non-Final Office Action for U.S. Appl. No. 15/612,325 dated Mar. 19, 2020.

Non-Final Office Action for U.S. Appl. No. 16/899,956 dated Oct. 16, 2020.

Non-Final Office Action for U.S. Appl. No. 29/624,661 dated Jul. 18, 2019.

Non-Final Office Action for U.S. Appl. No. 29/694,002 dated Jun. 24, 2020.

Notice of Allowance for U.S. Appl. No. 15/221,106 dated May 1, 2019.

Notice of Allowance for U.S. Appl. No. 15/238,427 dated May 23, 2019.

Notice of Allowance for U.S. Appl. No. 15/260,103 dated Jun. 7, 2019.

Notice of Allowance for U.S. Appl. No. 15/611,587 dated Dec. 21, 2018.

Notice of Allowance for U.S. Appl. No. 15/612,325 dated Feb. 19, 2021.

Notice of Allowance for U.S. Appl. No. 15/612,325 dated Jan. 21, 2021.

Notice of Allowance for U.S. Appl. No. 29/624,661 dated Jul. 10, 2020.

Notice of Allowance for U.S. Appl. No. 29/624,661 dated May 14, 2020.

U.S. Appl. No. 15/171,968, filed Jun. 2, 2016.

U.S. Appl. No. 15/221,106, filed Jul. 27, 2016.

U.S. Appl. No. 15/260,103, filed Sep. 8, 2016.

U.S. Appl. No. 15/611,587, filed Jun. 1, 2017.

U.S. Appl. No. 15/612,325, filed Jun. 2, 2017.

U.S. Appl. No. 16/369,676, filed Mar. 29, 2019.

U.S. Appl. No. 16/433,773, filed Jun. 6, 2019.

U.S. Appl. No. 16/449,039, filed Jun. 21, 2019.

U.S. Appl. No. 16/452,145, filed Jun. 25, 2019.

U.S. Appl. No. 16/452,258, filed Jun. 25, 2019.

U.S. Appl. No. 16/478,180, filed Jul. 16, 2019.

U.S. Appl. No. 16/904,868, filed Jun. 18, 2020.

U.S. Appl. No. 16/905,400, filed Jun. 18, 2020.

U.S. Appl. No. 62/452,437, filed Jan. 31, 2017.

U.S. Appl. No. 62/665,297, filed May 1, 2018.

U.S. Appl. No. 62/665,302, filed May 1, 2018.

U.S. Appl. No. 62/665,317, filed May 1, 2018.

U.S. Appl. No. 62/665,321, filed May 1, 2018.

U.S. Appl. No. 62/665,331, filed May 1, 2018.

U.S. Appl. No. 62/665,335, filed May 1, 2018.

U.S. Appl. No. 62/873,045, filed Jul. 11, 2019.

U.S. Appl. No. 62/873,048, filed Jul. 11, 2019.

U.S. Appl. No. 62/889,149, filed Aug. 20, 2019.

U.S. Appl. No. 62/949,187, filed Dec. 17, 2019.

U.S. Appl. No. 62/956,756, filed Jan. 3, 2020.

U.S. Appl. No. 62/956,767, filed Jan. 3, 2020.

U.S. Appl. No. 62/956,770, filed Jan. 3, 2020.

U.S. Appl. No. 62/994,912, filed Mar. 26, 2020.

U.S. Appl. No. 63/011,445, filed Apr. 17, 2020.

U.S. Appl. No. 63/011,487, filed Apr. 17, 2020.

U.S. Appl. No. 63/011,571, filed Apr. 17, 2020.

U.S. Appl. No. 63/011,657, filed Apr. 17, 2020.

U.S. Appl. No. 63/011,760, filed Apr. 17, 2020.

U.S. Appl. No. 63/012,347, filed Apr. 20, 2020.

U.S. Appl. No. 63/012,384, filed Apr. 20, 2020.

U.S. Appl. No. 63/061,834, filed Aug. 6, 2020.

U.S. Appl. No. 63/119,161, filed Nov. 30, 2020.

U.S. Appl. No. 63/124,271 mailed Dec. 11, 2020.

U.S. Appl. No. 63/155,395, filed Mar. 2, 2021.

Defendant and Counterclaim Plaintiff Sage Products, LLC's Answer, Defenses, and Counterclaims to Plaintiff's Amended Complaint, Nov. 1, 2019.

Memorandum Order, Feb. 2021, 14 pgs.

Sage's Initial Invalidity Contentions Regarding U.S. Pat. Nos. 8,287,508; 10,226,375; and 10,390,989, May 29, 2020, 193 pages.

Sage's Supplemental and Initial Invalidity Contentions Regarding U.S. Pat. Nos. 8,287,508; 10,226,375; 10,390,989 and Initial Invalidity Contentions Regarding U.S. Pat. No. 10,376,407, Aug. 21, 2020, 277 pages.

Sage's Second Supplemental Invalidity Contentions Regarding U.S. Pat. Nos. 8,287,508, 10,226,375, 10,390,989, and 10,376,407, 292 pages.

Boehringer CareDry System—Second Generation for Non-Invasive Urinary Management for Females, Mar. 2021, 3 pgs.

Excerpts from the 508 (U.S. Pat. No. 8,278,508) Patent's Prosecution History, 2020, 99 pages.

Plaintiff's Opening Claim Construction Brief, Case No. 19-1508-MN, Oct. 16, 2020, 26 pages.

Plaintiff's Identification of Claim Terms and Proposed Constructions, Case No. 19-1508-MN, 3 pages.

PureWick's Response to Interrogatory No. 9 in *PureWick, LLC v. Sage Products, LLC*, Case No. 19-1508-MN, Mar. 23, 2020, 6 pages.

Sage's Preliminary Identification of Claim Elements and Proposed Constructions for U.S. Pat. Nos. 8,287,508, 10,226,376, 10,390,989 and 10,376,407, Case No. 19-1508-MN, 7 pages.

Decision Granting Institution of Inter Partes Review for U.S. Pat. No. 8,287,508, Case No. 2020-01426, Feb. 17, 2021, 39 pages.

Corrected Certificate of Service, Case No. IPR2020-01426, U.S. Pat. No. 8,287,508, 2020, 2 pages.

Declaration of Diane K. Newman Curriculum Vitae, Petition for Interparties Review, 2020, pp. 1-199.

"3 Devices Take Top Honors in Dare-To-Dream Medtech Design Contest", R+D Digest, Nov. 2013, 1 page.

"Advanced Mission Extender Device (AMDX) Products", Omni Medical Systems, Inc., 15 pages.

"AMXD Control Starter Kit Brochure", <https://www.omnimedicalsys.com/index.php?page=products>, Omni Medical, 8 pages.

"AMXDmax In-Flight Bladder Relief", Omni Medical; Omni Medical Systems, Inc., 2015.

"AMXDX—Advanced Mission Extender Device Brochure", Omni Medical, Omni Brochure—<http://www.omnimedicalsys.com/uploads/AMXDFixedWing.pdf>, 2 pages.

"How Period Panties Work", [www.shethinx.com/pages/thinx-itworks](http://www.shethinx.com/pages/thinx-itworks), 2020, 10 pages.



(56)

**References Cited**

## OTHER PUBLICATIONS

“In Flight Bladder Relief”, Omni Medical, Omni Presentation [https://www.omnimedicals.com/uploads/AMXDmax\\_HSD.pdf](https://www.omnimedicals.com/uploads/AMXDmax_HSD.pdf), 14 pages.

“Research and Development Work Relating to Assistive Technology 2005-06”, British Department of Health, Nov. 2006, 40 pages.

“Step by Step How Ur24 WorksHome”, <http://medicalpatentur24.com>, last accessed Dec. 6, 2017, Aug. 30, 2017, 4 pages.

“Underwear that absorbs your period”, Thinx!, <https://www.shethinx.com/pages/thinx-it-works> last accessed Jun. 24, 2020, 7 pages.

“User & Maintenance Guide”, Omni Medical, 2007, 16 pages.

“Winners Announced for Dare-to-Dream Medtech Design Challenge”, <https://www.mddionline.com/design-engineering/winners-announced-dare-dream-medtech-design-challenge>, MD&DI, 2014, 4 pages.

Hollister, Female Urinary and Pouch and Male Urinary Pouch Brochure, 2011, 1 page.

Hollister, “Male Urinary Pouch External Collection Device”, <http://www.hollister.com/en/products/Continence-Care-Products/Urine-Collectors/Urine-Collection-Accessories/Male-Urinary-Pouch-External-Collection-Device>, last accessed Feb. 8, 2018.

Hollister, “Retracted Penis Pouch by Hollister”, Vitality Medical. com, <https://www.vitalitymedical.com/hollister-retracted-penis-pouch.html> last accessed Jun. 24, 2020, 6 pages.

Macaulay, et al., “A Noninvasive Continence Management System: Development and Evaluation of a Novel Toileting Device for Women”, The Wound, Ostomy and Continence Nurses Society, vol. 34 No. 6, 2007, pp. 641-648.

Newman, et al., “The Urinary Incontinence Sourcebook”, Petition for Interparties Review, 1997, 23 pages.

Newton, et al., “Measuring Safety, Effectiveness and Ease of Use of PureWick in the Management of Urinary Incontinence in Bedbound Women: Case Studies”, Jan. 8, 2016, 11 pages.

Parmar, “10 Finalists Chosen for Dare-to-Dream Medtech Design Challenge (PureWick)”, Design Services, Nov. 10, 2014, 3 pages.

PureWick, “Incontinence Relief for Women”, Presentation, Sep. 23, 2015, 7 pages.

Pytlik, “Super Absorbent Polymers”, University of Buffalo, <http://www.courses.sens.buffalo.edu/ce435/Diapers/Diapers.html>, accessed on Feb. 17, 2017.

Sachtman, “New Relief for Pilots? It Depends”, Wired, <https://www.wired.com/2008/05/pilot-relief/>, 2008, 2 pages.

Advisory Action for U.S. Appl. No. 16/899,956 dated Jul. 9, 2021.

Advisory Action for U.S. Appl. No. 16/904,868 dated Jul. 2, 2021.

Advisory Action for U.S. Appl. No. 16/905,400 dated Feb. 16, 2022.

Advisory Action for U.S. Appl. No. 16/905,400 dated Jun. 9, 2021.

Corrected Notice of Allowability for U.S. Appl. No. 17/330,657 dated Dec. 9, 2021.

Final Office Action for U.S. Appl. No. 14/952,591 dated Nov. 27, 2020.

Final Office Action for U.S. Appl. No. 16/452,145 dated Mar. 25, 2022.

Final Office Action for U.S. Appl. No. 16/899,956 dated Apr. 19, 2021.

Final Office Action for U.S. Appl. No. 16/904,868 dated Mar. 10, 2022.

Final Office Action for U.S. Appl. No. 16/904,868 dated Mar. 26, 2021.

Final Office Action for U.S. Appl. No. 16/905,400 dated Apr. 6, 2021.

Final Office Action for U.S. Appl. No. 16/905,400 dated Dec. 9, 2021.

Final Office Action for U.S. Appl. No. 17/088,272 dated May 25, 2021.

International Search Report and Written Opinion from International Application No. PCT/US2020/023572 dated Jul. 6, 2020.

International Search Report and Written Opinion from International Application No. PCT/US2020/033064 dated Aug. 31, 2020.

International Search Report and Written Opinion from International Application No. PCT/US2020/033122 dated Aug. 31, 2020.

International Search Report and Written Opinion from International Application No. PCT/US2020/042262 dated Oct. 14, 2020.

International Search Report and Written Opinion from International Application No. PCT/US2020/044024 dated Nov. 12, 2020.

International Search Report and Written Opinion from International Application No. PCT/US2020/055680 dated Dec. 15, 2020.

International Search Report and Written Opinion from International Application No. PCT/US2020/057562 dated Jan. 27, 2021.

International Search Report and Written Opinion from International Application No. PCT/US2020/065234 dated Apr. 12, 2021.

International Search Report and Written Opinion from International Application No. PCT/US2020/067451 dated Mar. 25, 2021.

International Search Report and Written Opinion from International Application No. PCT/US2020/067454 dated Mar. 29, 2021.

International Search Report and Written Opinion from International Application No. PCT/US2020/067455 dated Mar. 26, 2021.

International Search Report and Written Opinion from International Application No. PCT/US2021/015024 dated May 18, 2021.

International Search Report and Written Opinion from International Application No. PCT/US2021/015787 dated May 27, 2021.

International Search Report and Written Opinion from International Application No. PCT/US2021/023001 dated Jun. 21, 2021.

International Search Report and Written Opinion from International Application No. PCT/US2021/024162 dated Jul. 8, 2021.

International Search Report and Written Opinion from International Application No. PCT/US2021/026607 dated Jul. 29, 2021.

International Search Report and Written Opinion from International Application No. PCT/US2021/027061 dated Jul. 19, 2021.

International Search Report and Written Opinion from International Application No. PCT/US2021/027104 dated Jul. 6, 2021.

International Search Report and Written Opinion from International Application No. PCT/US2021/027314 dated Jul. 6, 2021.

International Search Report and Written Opinion from International Application No. PCT/US2021/027422 dated Aug. 12, 2021.

International Search Report and Written Opinion from International Application No. PCT/US2021/027425 dated Aug. 11, 2021.

International Search Report and Written Opinion from International Application No. PCT/US2021/027913 dated Jul. 12, 2021.

International Search Report and Written Opinion from International Application No. PCT/US2021/027917 dated Aug. 19, 2021.

International Search Report and Written Opinion from International Application No. PCT/US2021/035181 dated Sep. 16, 2021.

International Search Report and Written Opinion from International Application No. PCT/US2021/043893 dated Nov. 22, 2021.

International Search Report and Written Opinion from International Application No. PCT/US2021/044699 dated Nov. 22, 2021.

International Search Report and Written Opinion from International Application No. PCT/US2021/045188 dated Jan. 26, 2022.

International Search Report and Written Opinion from International Application No. PCT/US2021/047536 dated Dec. 23, 2021.

International Search Report and Written Opinion from International Application No. PCT/US2021/048211 dated Dec. 22, 2021.

International Search Report and Written Opinion from International Application No. PCT/US2021/048661 dated Feb. 14, 2022.

International Search Report and Written Opinion from International Application No. PCT/US2021/049404 dated Jan. 18, 2022.

International Search Report and Written Opinion from International Application No. PCT/US2021/053593 dated Apr. 11, 2022.

International Search Report and Written Opinion from International Application No. PCT/US2021/056566 dated Feb. 11, 2022.

International Search Report and Written Opinion from International Application No. PCT/US2021/060993 dated Mar. 18, 2022.

International Search Report and Written Opinion from International Application No. PCT/US2021/062440 dated Mar. 28, 2022.

International Search Report and Written Opinion from International Application No. PCT/US2022/011108 dated Apr. 22, 2022.

International Search Report and Written Opinion from International Application No. PCT/US2022/011281 dated Apr. 25, 2022.

Issue Notification for U.S. Appl. No. 14/952,591 dated Jul. 28, 2021.

Issue Notification for U.S. Appl. No. 15/171,968 dated Mar. 3, 2021.

Issue Notification for U.S. Appl. No. 29/624,661 dated Aug. 4, 2021.

(56)

**References Cited**

## OTHER PUBLICATIONS

- Non-Final Office Action for U.S. Appl. No. 16/245,726 dated Jan. 21, 2022.
- Non-Final Office Action for U.S. Appl. No. 16/369,676 dated Mar. 31, 2022.
- Non-Final Office Action for U.S. Appl. No. 16/433,773 dated Apr. 21, 2022.
- Non-Final Office Action for U.S. Appl. No. 16/449,039 dated Dec. 8, 2021.
- Non-Final Office Action for U.S. Appl. No. 16/452,145 dated Sep. 28, 2021.
- Non-Final Office Action for U.S. Appl. No. 16/452,258 dated Sep. 28, 2021.
- Non-Final Office Action for U.S. Appl. No. 16/478,180 dated Oct. 22, 2021.
- Non-Final Office Action for U.S. Appl. No. 16/899,956 dated Sep. 2, 2021.
- Non-Final Office Action for U.S. Appl. No. 16/904,868 dated Nov. 25, 2020.
- Non-Final Office Action for U.S. Appl. No. 16/904,868 dated Oct. 5, 2021.
- Non-Final Office Action for U.S. Appl. No. 16/905,400 dated Apr. 27, 2022.
- Non-Final Office Action for U.S. Appl. No. 16/905,400 dated Dec. 2, 2020.
- Non-Final Office Action for U.S. Appl. No. 16/905,400 dated Jul. 22, 2021.
- Non-Final Office Action for U.S. Appl. No. 17/088,272 dated Jan. 25, 2021.
- Non-Final Office Action for U.S. Appl. No. 17/330,657 dated Aug. 11, 2021.
- Notice of Allowance for U.S. Appl. No. 14/952,591 dated Apr. 5, 2021.
- Notice of Allowance for U.S. Appl. No. 14/952,591 dated Jul. 8, 2021.
- Notice of Allowance for U.S. Appl. No. 15/171,968 dated Feb. 16, 2021.
- Notice of Allowance for U.S. Appl. No. 15/171,968 dated Nov. 6, 2020.
- Notice of Allowance for U.S. Appl. No. 16/899,956 dated Apr. 19, 2022.
- Notice of Allowance for U.S. Appl. No. 16/899,956 dated Dec. 29, 2021.
- Notice of Allowance for U.S. Appl. No. 17/088,272 dated Aug. 5, 2021.
- Notice of Allowance for U.S. Appl. No. 17/088,272 dated Mar. 4, 2022.
- Notice of Allowance for U.S. Appl. No. 17/088,272 dated Nov. 24, 2021.
- Notice of Allowance for U.S. Appl. No. 17/330,657 dated Mar. 16, 2022.
- Notice of Allowance for U.S. Appl. No. 17/330,657 dated Nov. 26, 2021.
- Notice of Allowance for U.S. Appl. No. 29/624,661 dated Apr. 28, 2021.
- Notice of Allowance for U.S. Appl. No. 29/624,661 dated Sep. 29, 2020.
- Notice of Allowance for U.S. Appl. No. 29/694,002 dated Apr. 29, 2021.
- Notice of Allowance for U.S. Appl. No. 29/694,002 dated Jan. 29, 2021.
- Notice of Allowance for U.S. Appl. No. 29/694,002 dated Oct. 16, 2020.
- Notice to File Missing Parts for U.S. Appl. No. 17/179,116 dated Mar. 3, 2021.
- Restriction Requirement for U.S. Appl. No. 16/433,773 dated Dec. 7, 2021.
- Restriction Requirement for U.S. Appl. No. 16/478,180 dated May 25, 2021.
- U.S. Appl. No. 14/625,469, filed Feb. 28, 2015.
- U.S. Appl. No. 14/947,759, filed Nov. 20, 2015.
- U.S. Appl. No. 14/952,591, filed Nov. 25, 2015.
- U.S. Appl. No. 15/384,196, filed Dec. 19, 2016.
- U.S. Appl. No. 16/245,726, filed Jan. 11, 2019.
- U.S. Appl. No. 17/051,550, filed Oct. 29, 2020.
- U.S. Appl. No. 17/051,554, filed Oct. 29, 2020.
- U.S. Appl. No. 17/051,585, filed Oct. 29, 2020.
- U.S. Appl. No. 17/051,600, filed Oct. 29, 2020.
- U.S. Appl. No. 17/088,272, filed Nov. 3, 2020.
- U.S. Appl. No. 17/179,116, filed Feb. 18, 2021.
- U.S. Appl. No. 17/330,657, filed May 26, 2021.
- U.S. Appl. No. 17/378,015, filed Jul. 16, 2021.
- U.S. Appl. No. 17/394,055, filed Aug. 4, 2021.
- U.S. Appl. No. 17/412,864, filed Aug. 26, 2021.
- U.S. Appl. No. 17/444,825, filed Aug. 10, 2021.
- U.S. Appl. No. 17/446,256, filed Aug. 27, 2021.
- U.S. Appl. No. 17/446,654, filed Sep. 1, 2021.
- U.S. Appl. No. 17/447,123, filed Sep. 8, 2021.
- U.S. Appl. No. 17/450,864, filed Oct. 14, 2021.
- U.S. Appl. No. 17/451,345, filed Oct. 19, 2021.
- U.S. Appl. No. 17/451,354, filed Oct. 19, 2021.
- U.S. Appl. No. 17/453,260, filed Nov. 2, 2021.
- U.S. Appl. No. 17/453,560, filed Nov. 4, 2021.
- U.S. Appl. No. 17/461,036 mailed Aug. 30, 2021.
- U.S. Appl. No. 17/494,578, filed Oct. 5, 2021.
- U.S. Appl. No. 17/501,591, filed Oct. 14, 2021.
- U.S. Appl. No. 17/595,747, filed Nov. 23, 2021.
- U.S. Appl. No. 17/597,408, filed Jan. 5, 2022.
- U.S. Appl. No. 17/597,673, filed Jan. 18, 2022.
- U.S. Appl. No. 17/614,173, filed Nov. 24, 2021.
- U.S. Appl. No. 17/631,619, filed Jan. 31, 2022.
- U.S. Appl. No. 17/645,821, filed Dec. 23, 2021.
- U.S. Appl. No. 17/646,771, filed Jan. 3, 2022.
- U.S. Appl. No. 17/653,314, filed Mar. 3, 2022.
- U.S. Appl. No. 17/653,920, filed Mar. 8, 2022.
- U.S. Appl. No. 17/654,156, filed Mar. 9, 2022.
- U.S. Appl. No. 17/655,464, filed Mar. 18, 2022.
- U.S. Appl. No. 17/657,474, filed Mar. 31, 2022.
- U.S. Appl. No. 17/661,090, filed Apr. 28, 2022.
- U.S. Appl. No. 17/662,700, filed May 10, 2022.
- U.S. Appl. No. 17/663,046, filed May 12, 2022.
- U.S. Appl. No. 17/754,736, filed Apr. 11, 2022.
- U.S. Appl. No. 61/955,537, filed Mar. 19, 2014.
- U.S. Appl. No. 62/082,279, filed Nov. 20, 2014.
- U.S. Appl. No. 62/084,078, filed Nov. 25, 2014.
- U.S. Appl. No. 62/414,963, filed Oct. 31, 2016.
- U.S. Appl. No. 62/485,578, filed Apr. 14, 2017.
- U.S. Appl. No. 62/853,279, filed May 28, 2019.
- U.S. Appl. No. 62/853,889, filed May 29, 2019.
- U.S. Appl. No. 62/864,656, filed Jun. 21, 2019.
- U.S. Appl. No. 62/876,500, filed Jul. 19, 2019.
- U.S. Appl. No. 62/877,558, filed Jul. 23, 2019.
- U.S. Appl. No. 62/883,172, filed Aug. 6, 2019.
- U.S. Appl. No. 62/923,279, filed Oct. 18, 2019.
- U.S. Appl. No. 62/926,767, filed Oct. 28, 2019.
- U.S. Appl. No. 62/935,337, filed Nov. 14, 2019.
- U.S. Appl. No. 62/938,447, filed Nov. 21, 2019.
- U.S. Appl. No. 62/967,977, filed Jan. 30, 2020.
- U.S. Appl. No. 63/008,112, filed Apr. 10, 2020.
- U.S. Appl. No. 63/030,685, filed May 27, 2020.
- U.S. Appl. No. 63/033,310, filed Jun. 2, 2020.
- U.S. Appl. No. 63/047,374, filed Jul. 2, 2020.
- U.S. Appl. No. 63/061,241, filed Aug. 5, 2020.
- U.S. Appl. No. 63/061,244, filed Aug. 5, 2020.
- U.S. Appl. No. 63/064,017, filed Aug. 11, 2020.
- U.S. Appl. No. 63/064,126, filed Aug. 11, 2020.
- U.S. Appl. No. 63/067,542, filed Aug. 19, 2020.
- U.S. Appl. No. 63/071,438, filed Aug. 28, 2020.
- U.S. Appl. No. 63/071,821, filed Aug. 28, 2020.
- U.S. Appl. No. 63/073,545, filed Sep. 2, 2020.
- U.S. Appl. No. 63/073,553, filed Sep. 2, 2020.
- U.S. Appl. No. 63/074,051, filed Sep. 3, 2020.
- U.S. Appl. No. 63/074,066, filed Sep. 3, 2020.

(56)

## References Cited

## OTHER PUBLICATIONS

U.S. Appl. No. 63/076,032, filed Sep. 9, 2020.  
 U.S. Appl. No. 63/076,474, filed Sep. 10, 2020.  
 U.S. Appl. No. 63/076,477, filed Sep. 10, 2020.  
 U.S. Appl. No. 63/082,261, filed Sep. 23, 2020.  
 U.S. Appl. No. 63/088,506, filed Oct. 7, 2020.  
 U.S. Appl. No. 63/088,511, filed Oct. 7, 2020.  
 U.S. Appl. No. 63/088,539, filed Oct. 7, 2020.  
 U.S. Appl. No. 63/094,464, filed Oct. 21, 2020.  
 U.S. Appl. No. 63/094,498, filed Oct. 21, 2020.  
 U.S. Appl. No. 63/094,594, filed Oct. 21, 2020.  
 U.S. Appl. No. 63/094,608, filed Oct. 21, 2020.  
 U.S. Appl. No. 63/094,626, filed Oct. 21, 2020.  
 U.S. Appl. No. 63/094,646, filed Oct. 21, 2020.  
 U.S. Appl. No. 63/109,066, filed Nov. 3, 2020.  
 U.S. Appl. No. 63/109,084, filed Nov. 3, 2020.  
 U.S. Appl. No. 63/112,417, filed Nov. 11, 2020.  
 U.S. Appl. No. 63/133,892, filed Jan. 5, 2021.  
 U.S. Appl. No. 63/134,287, filed Jan. 6, 2021.  
 U.S. Appl. No. 63/134,450, filed Jan. 6, 2021.  
 U.S. Appl. No. 63/134,631, filed Jan. 7, 2021.  
 U.S. Appl. No. 63/134,632, filed Jan. 7, 2021.  
 U.S. Appl. No. 63/134,754, filed Jan. 7, 2021.  
 U.S. Appl. No. 63/138,878, filed Jan. 19, 2021.  
 U.S. Appl. No. 63/146,946, filed Feb. 8, 2021.  
 U.S. Appl. No. 63/147,013, filed Feb. 8, 2021.  
 U.S. Appl. No. 63/147,299, filed Feb. 9, 2021.  
 U.S. Appl. No. 63/148,723, filed Feb. 12, 2021.  
 U.S. Appl. No. 63/154,248, filed Feb. 26, 2021.  
 U.S. Appl. No. 63/157,007, filed Mar. 5, 2021.  
 U.S. Appl. No. 63/157,014, filed Mar. 5, 2021.  
 U.S. Appl. No. 63/159,142, filed Mar. 10, 2021.  
 U.S. Appl. No. 63/159,186, filed Mar. 10, 2021.  
 U.S. Appl. No. 63/159,210, filed Mar. 10, 2021.  
 U.S. Appl. No. 63/159,280, filed Mar. 10, 2021.  
 U.S. Appl. No. 63/165,273, filed Mar. 24, 2021.  
 U.S. Appl. No. 63/165,384, filed Mar. 24, 2021.  
 U.S. Appl. No. 63/171,165, filed Apr. 6, 2021.  
 U.S. Appl. No. 63/172,975, filed Apr. 9, 2021.  
 U.S. Appl. No. 63/181,695, filed Apr. 29, 2021.  
 U.S. Appl. No. 63/191,558, filed May 21, 2021.  
 U.S. Appl. No. 63/192,274, filed May 24, 2021.  
 U.S. Appl. No. 63/192,289, filed May 24, 2021.  
 U.S. Appl. No. 63/193,235, filed May 26, 2021.  
 U.S. Appl. No. 63/193,406, filed May 26, 2021.  
 U.S. Appl. No. 63/193,891, filed May 27, 2021.  
 U.S. Appl. No. 63/208,262, filed Jun. 8, 2021.  
 U.S. Appl. No. 63/214,551, filed Jun. 24, 2021.  
 U.S. Appl. No. 63/214,570, filed Jun. 24, 2021.  
 U.S. Appl. No. 63/215,017, filed Jun. 25, 2021.  
 U.S. Appl. No. 63/228,244, filed Aug. 2, 2021.  
 U.S. Appl. No. 63/228,252, filed Aug. 2, 2021.  
 U.S. Appl. No. 63/228,258, filed Aug. 2, 2021.  
 U.S. Appl. No. 63/230,894, filed Aug. 9, 2021.  
 U.S. Appl. No. 63/230,897, filed Aug. 9, 2021.  
 U.S. Appl. No. 63/238,457, filed Aug. 30, 2021.  
 U.S. Appl. No. 63/238,477, filed Aug. 30, 2021.  
 U.S. Appl. No. 63/241,562, filed Sep. 8, 2021.  
 U.S. Appl. No. 63/241,564, filed Sep. 8, 2021.

U.S. Appl. No. 63/241,575, filed Sep. 8, 2021.  
 U.S. Appl. No. 63/246,972, filed Sep. 22, 2021.  
 U.S. Appl. No. 63/247,375, filed Sep. 23, 2021.  
 U.S. Appl. No. 63/247,478, filed Sep. 23, 2021.  
 U.S. Appl. No. 63/247,491, filed Sep. 23, 2021.  
 U.S. Appl. No. 63/299,208, filed Jan. 13, 2022.  
 “External Urine Management for Female Anatomy”, <https://www.stryker.com/us/en/sage/products/sage-primafit.html>, Jul. 2020, 4 pages.  
 “High Absorbancy Cellulose Acetate Electrospun Nanofibers for Feminine Hygiene Application”, <https://www.sciencedirect.com/science/article/abs/pii/S2352940716300701?via%3Dihub>, Jul. 2016, 3 pages.  
 “Hydrogel properties of electrospun polyvinylpyrrolidone and polyvinylpyrrolidone/poly(acrylic acid) blend nanofibers”, <https://pubs.rsc.org/en/content/articlelanding/2015/ra/c5ra07514a#!divAbstract>, 2015, 5 pages.  
 “Making Women’s Sanitary Products Safer and Cheaper”, <https://www.elsevier.com/connect/making-womens-sanitary-products-safer-and-cheaper>, Sep. 2016, 10 pages.  
 “Novel Nanofibers Make Safe and Effective Absorbent for Sanitary Products”, <https://www.materialstoday.com/nanomaterials/news/nanofibers-make-safe-and-effective-absorbent/>, Oct. 2016, 3 pages.  
 Ali , “Sustainability Assessment: Seventh Generation Diapers versus gDiapers”, The University of Vermont, Dec. 6, 2011, pp. 1-31.  
 Autumn , et al., “Frictional adhesion: a new angle on gecko attachment”, *The Journal of Experimental Biology*, 2006, pp. 3569-3579.  
 Cañas , et al., “Effect of nano- and micro-roughness on adhesion of bioinspired micropatterned surfaces”, *Acta Biomaterialia* 8, 2012, pp. 282-288.  
 Chaudhary , et al., “Bioinspired dry adhesive: Poly(dimethylsiloxane) grafted with poly(2-ethylhexyl acrylate) brushes”, *European Polymer Journal*, 2015, pp. 432-440.  
 Dai , et al., “Non-sticky and Non-slippery Biomimetic Patterned Surfaces”, *Journal of Bionic Engineering*, Mar. 2020, pp. 326-334.  
 Espinoza-Ramirez , “Nanobiodiversity and Biomimetic Adhesives Development: From Nature to Production and Application”, *Journal of Biomaterials and Nanobiotechnology*, pp. 78-101, 2019.  
 Hwang , et al., “Multifunctional Smart Skin Adhesive Patches for Advanced Health Care”, *Adv. Healthcare Mater*, 2018, pp. 1-20.  
 Jagota , et al., “Adhesion, friction, and compliance of bio-mimetic and bio-inspired structured interfaces”, *Materials Science and Engineering*, 2011, pp. 253-292.  
 Jeong , et al., “A nontransferring dry adhesive with hierarchical polymer nanohairs”, *PNAS*, Apr. 7, 2009, pp. 5639-5644.  
 Jeong , et al., “Nanohairs and nanotubes: Efficient structural elements for gecko-inspired artificial dry adhesives”, *Science Direct*, 2009, pp. 335-346.  
 Karp , et al., “Dry solution to a sticky problem”, *Nature.*, 2011, pp. 42-43.  
 Lee , et al., “Continuous Fabrication of Wide-Tip Microstructures for Bio-Inspired Dry Adhesives via Tip Inking Process”, *Journal of Chemistry*, Jan. 2, 2019, pp. 1-5.  
 Parness, et al. “A microfabricated wedge-shaped adhesive array displaying gecko-like dynamic adhesion, directionality”, *J.R. Soc. Interface*, 2009, pp. 1223-1232.  
 Tsipenyuk , et al., “Use of biomimetic hexagonal surface texture in friction against lubricated skin”, *Journal of the Royal Society—Interface*, 2014, pp. 1-6.

\* cited by examiner

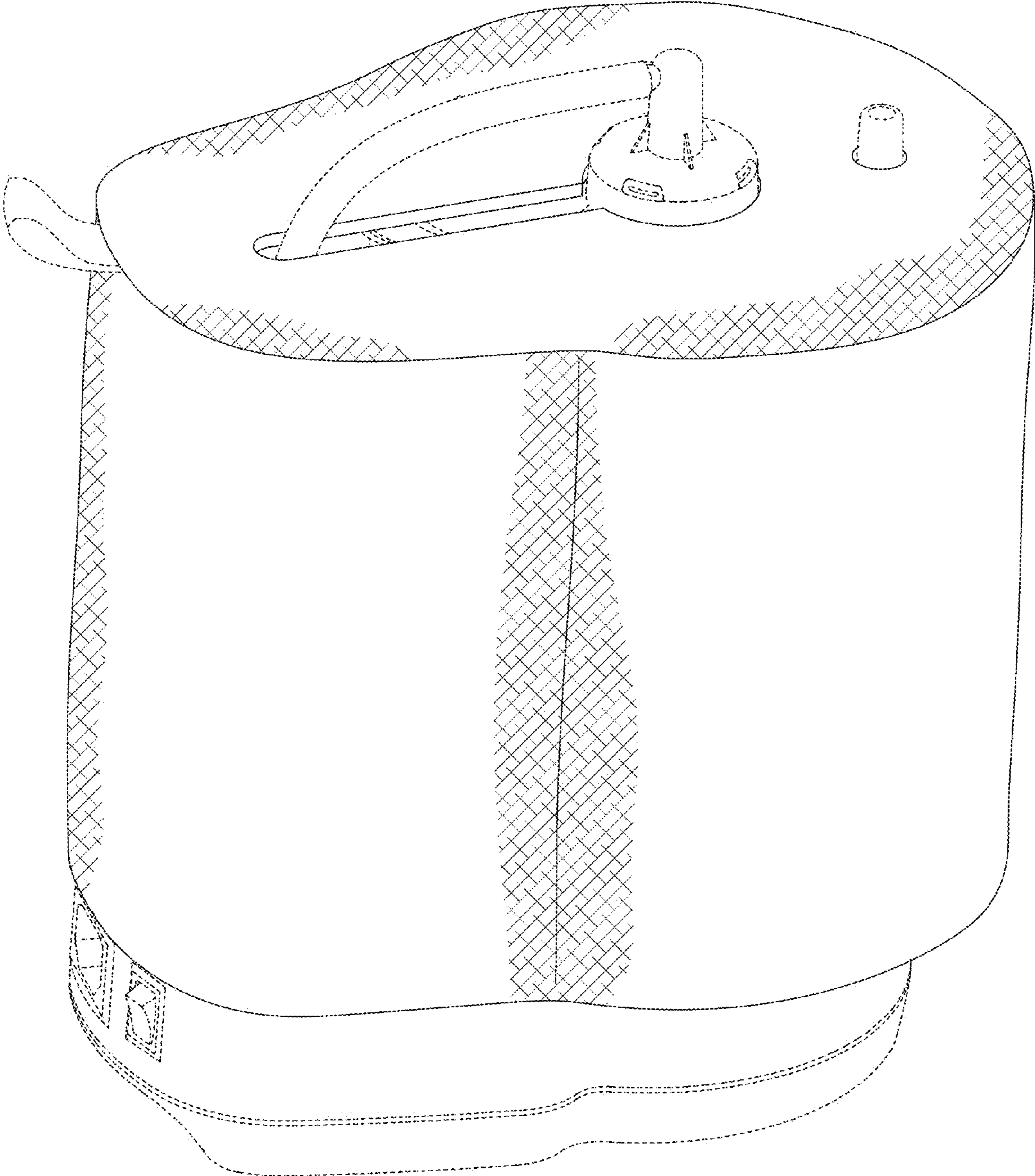


FIG. 1

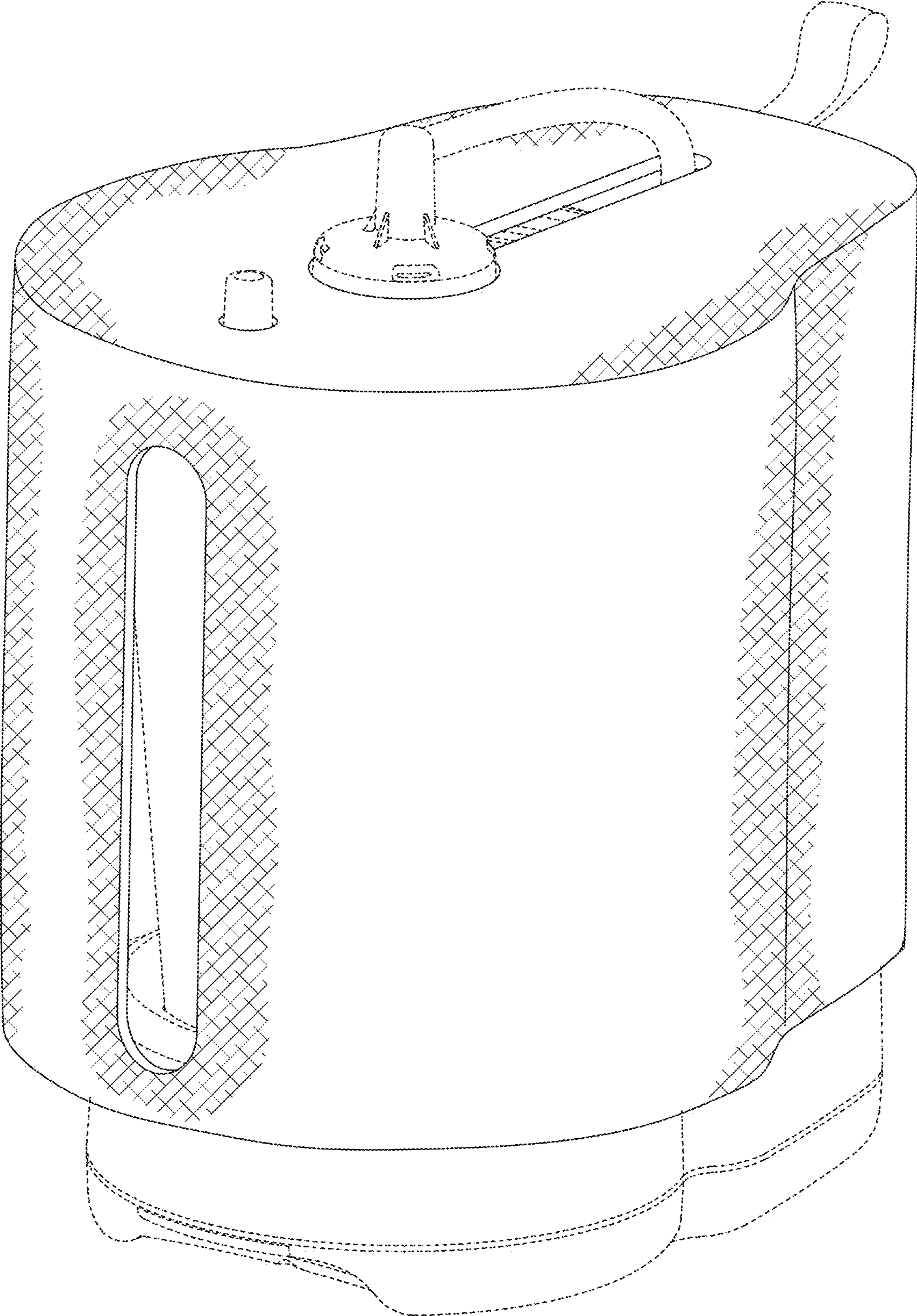


FIG. 2

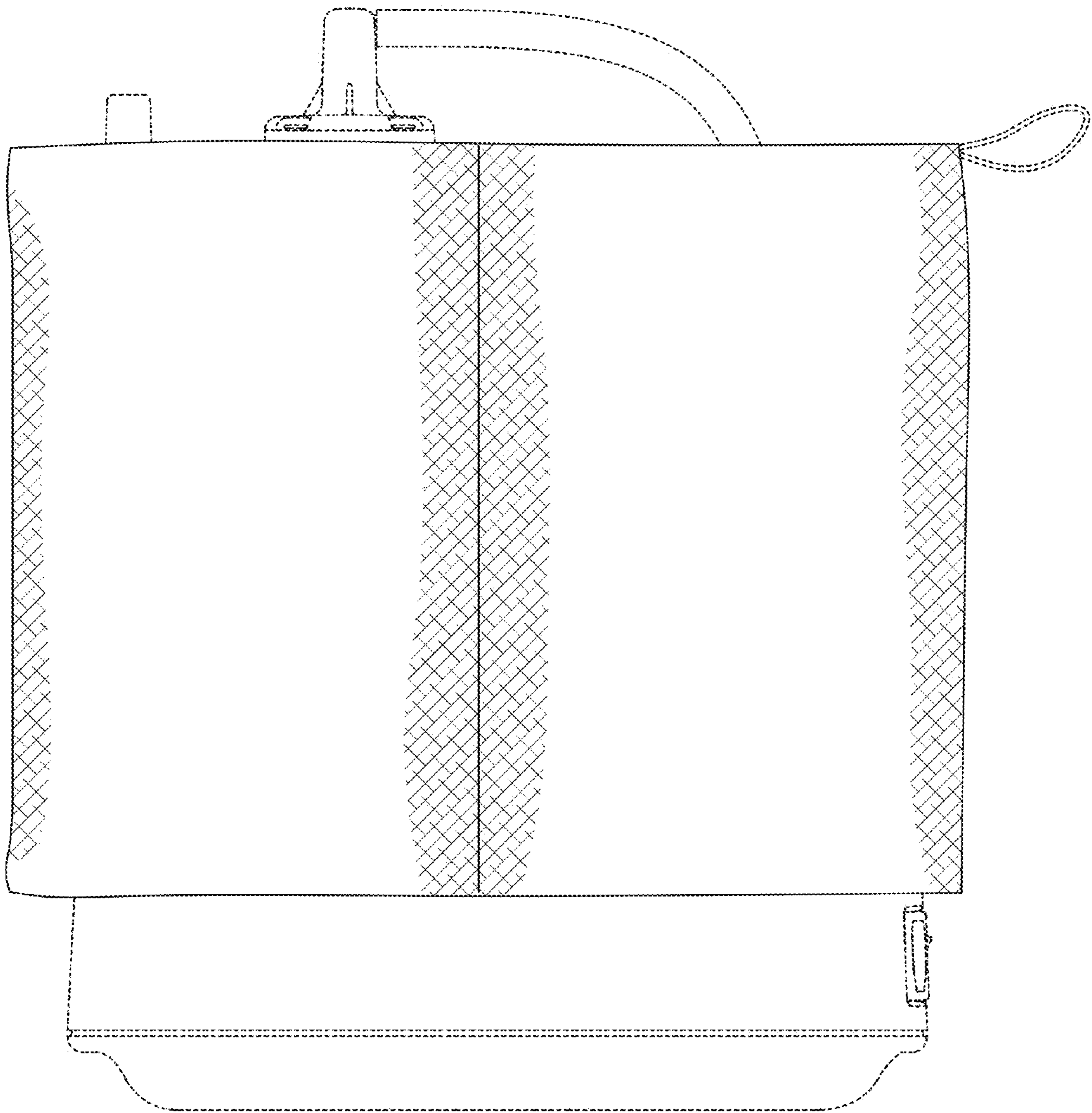


FIG. 3

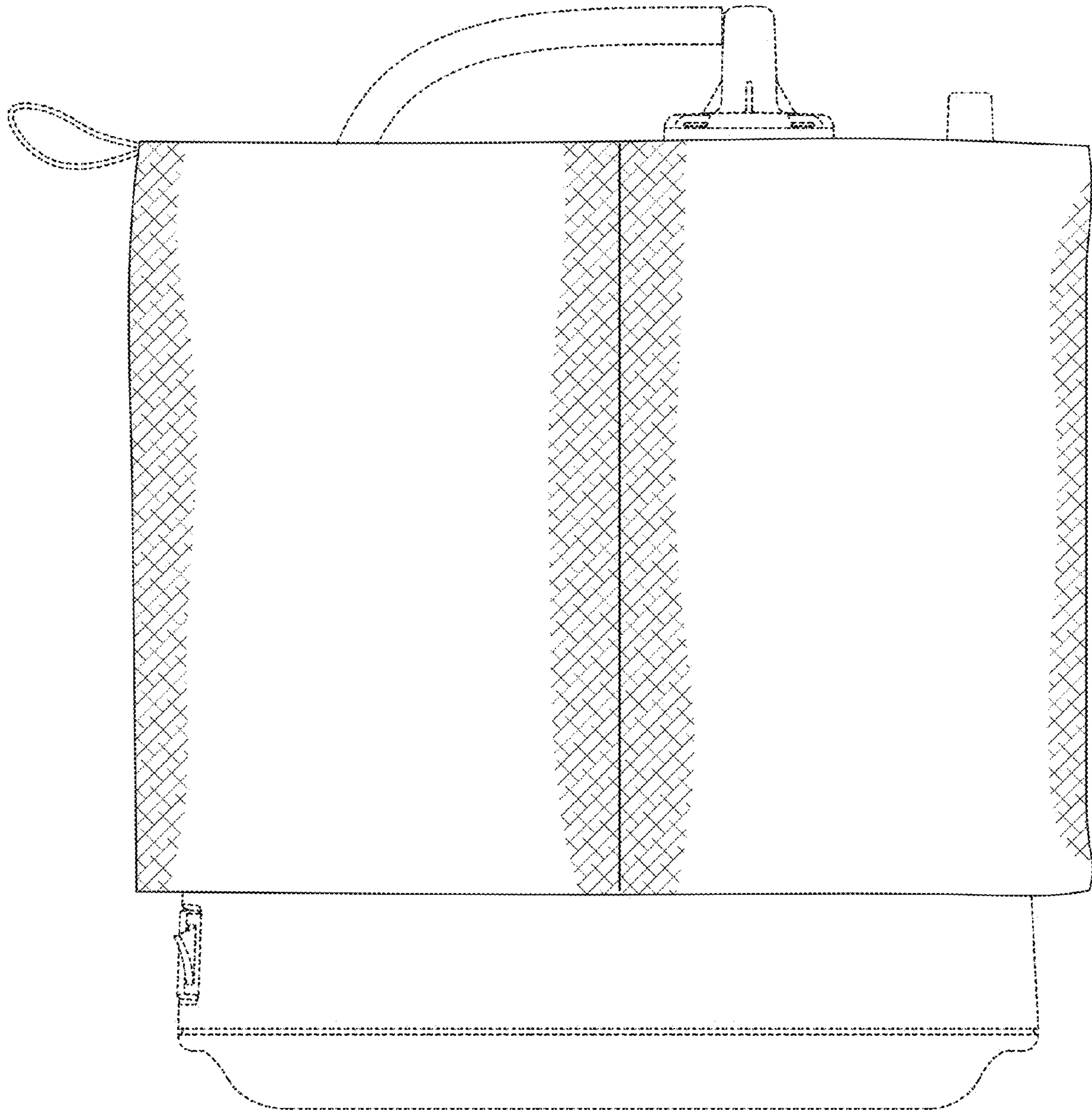


FIG. 4

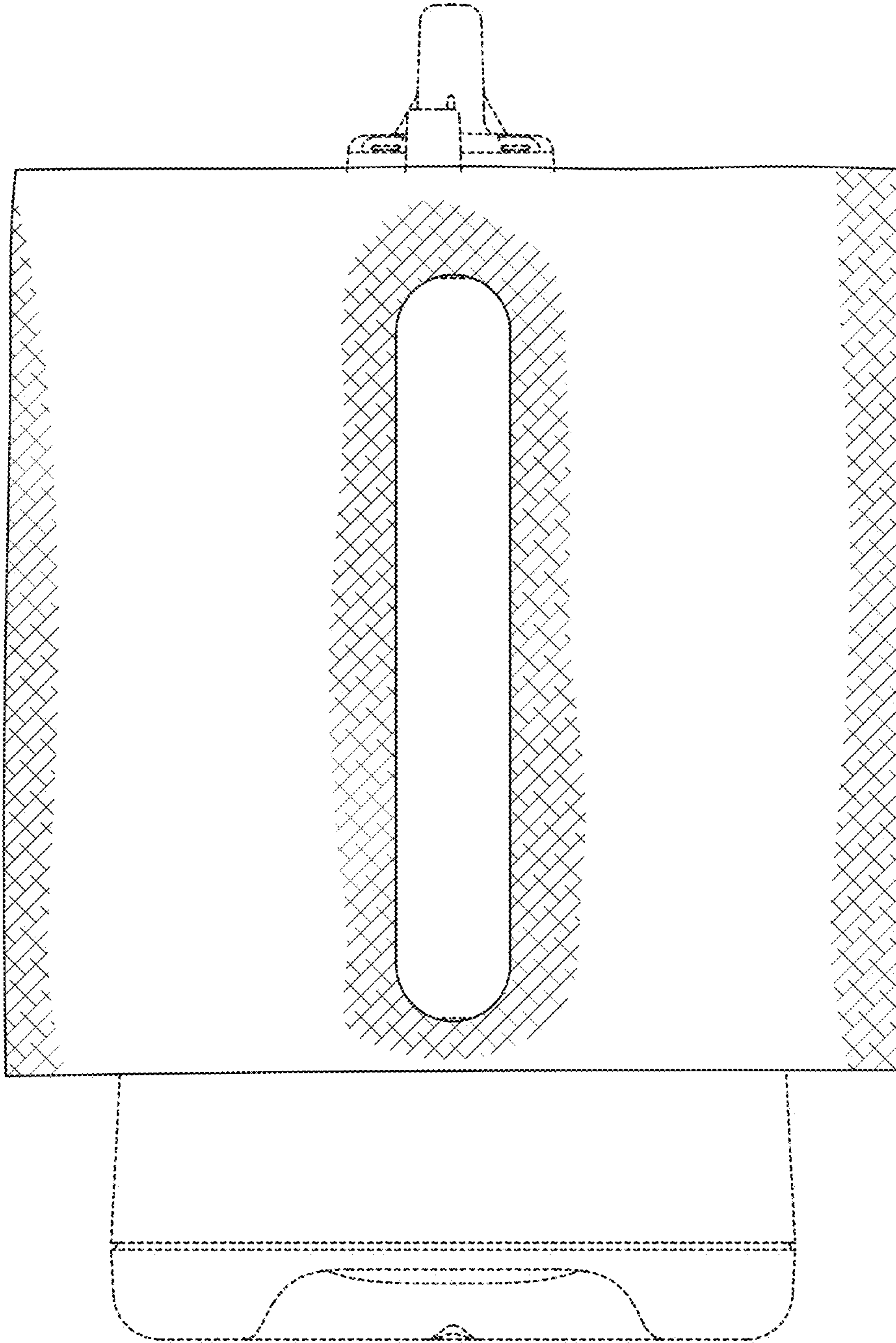


FIG. 5



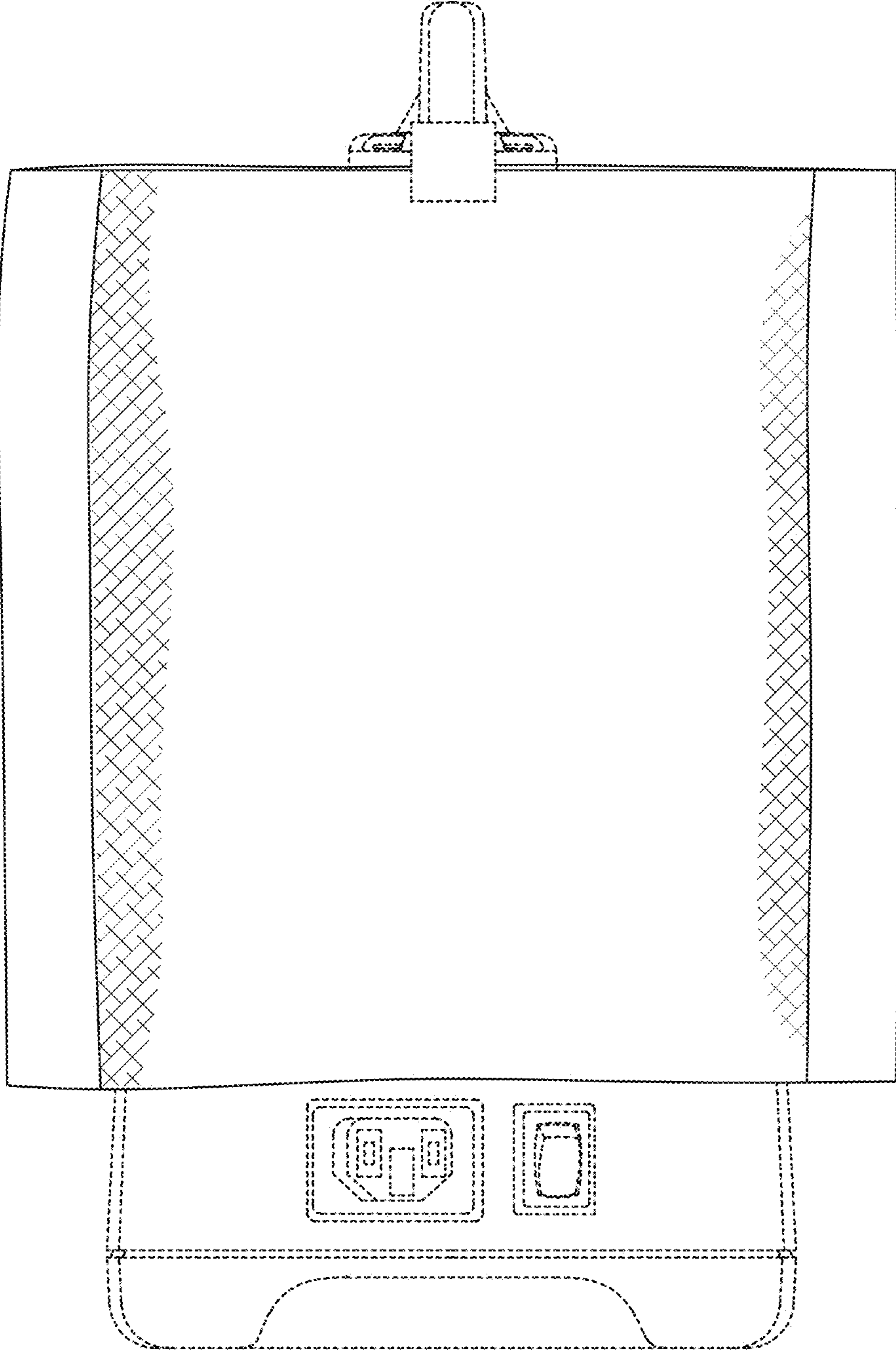


FIG. 6

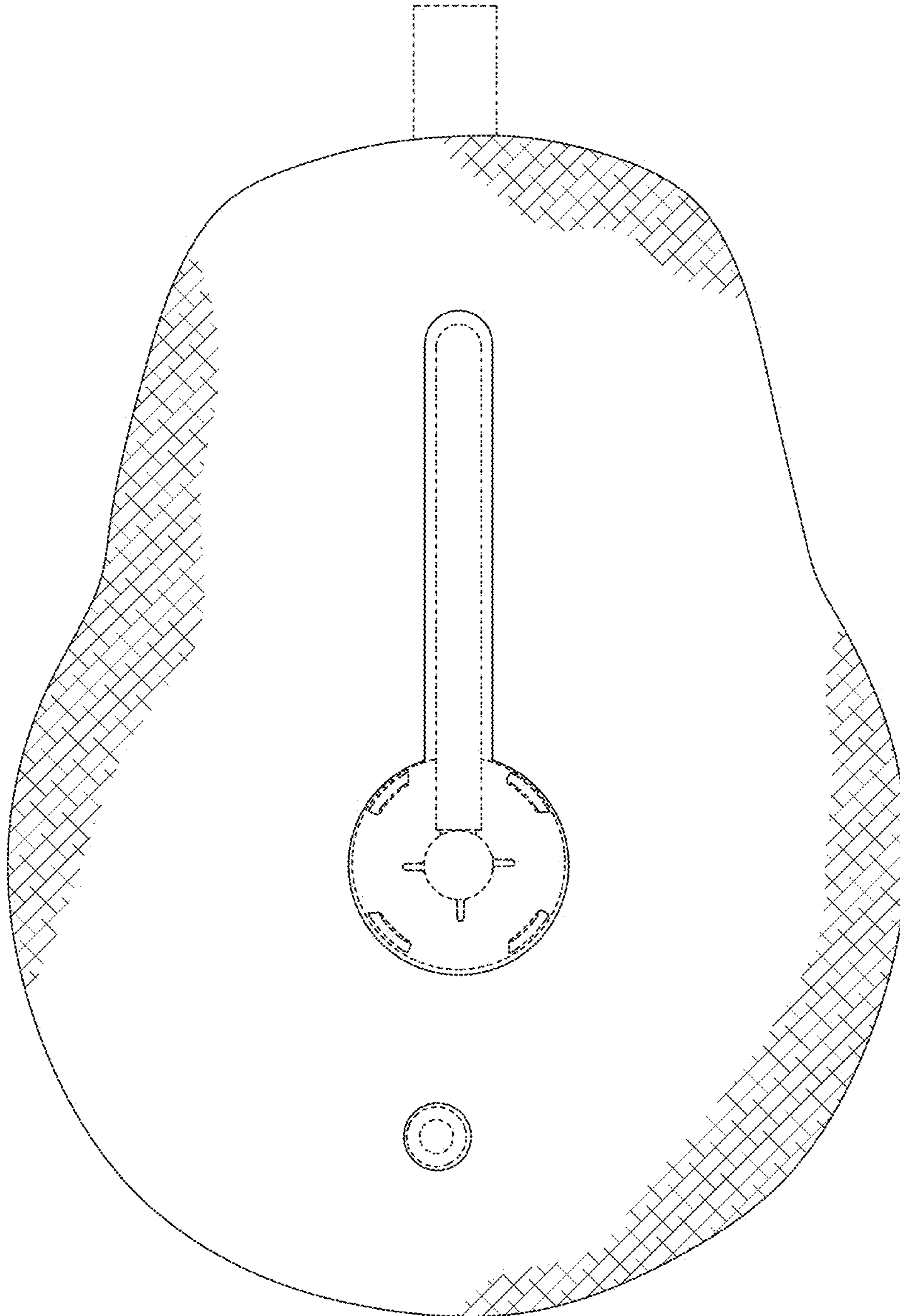


FIG. 7

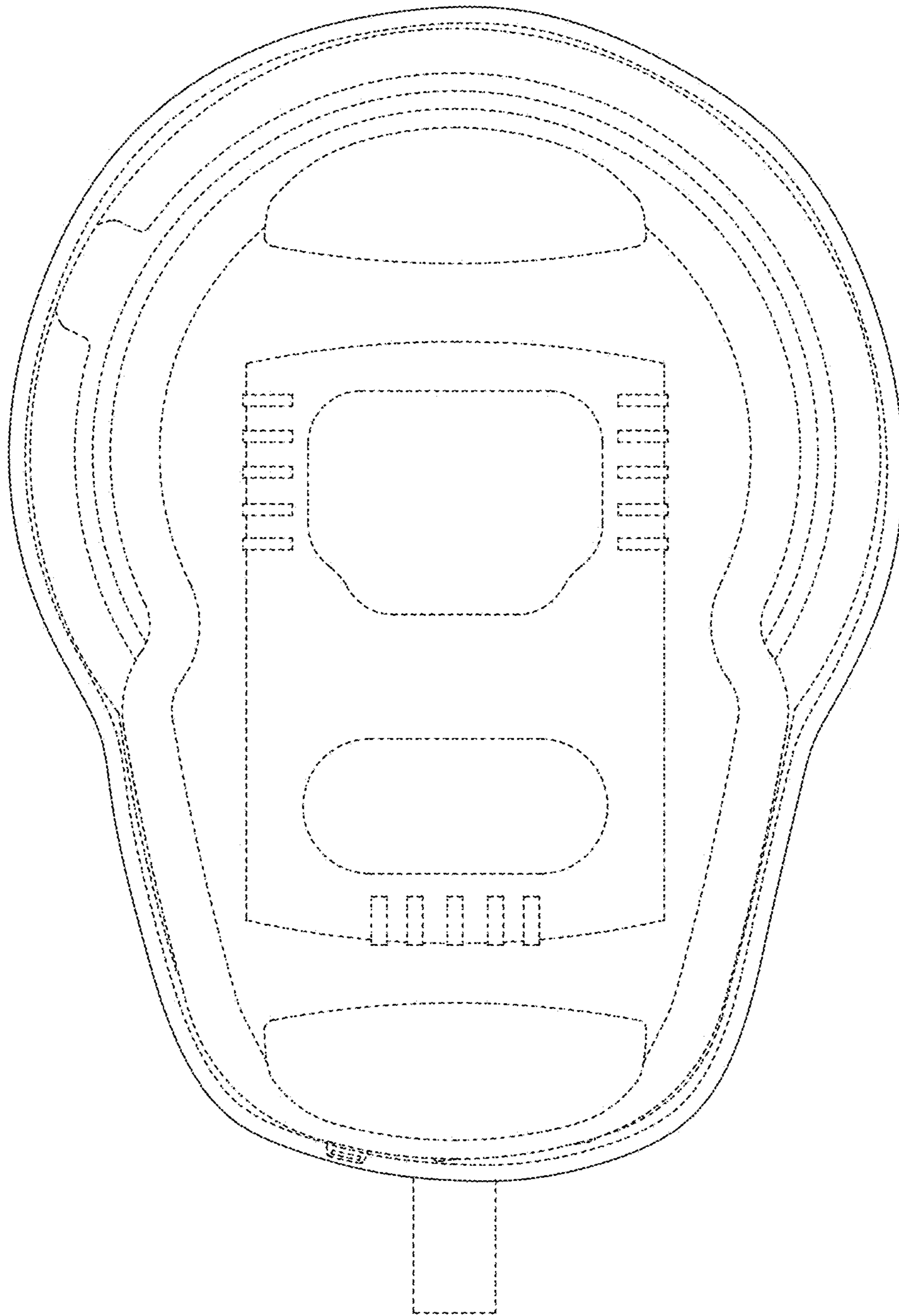


FIG. 8