



US00D967408S

(12) **United States Design Patent**  
**Tanaka et al.**

(10) **Patent No.:** **US D967,408 S**  
(45) **Date of Patent:** **\*\* Oct. 18, 2022**

(54) **BALLOON CATHETER**  
(71) Applicant: **GOODMAN CO., LTD.**, Aichi (JP)  
(72) Inventors: **Takaharu Tanaka**, Seto (JP); **Hisashi Sugiura**, Seto (JP); **Etsuko Hirota**, Seto (JP); **Yasuhiko Kato**, Seto (JP); **Motoki Asai**, Seto (JP)

(\*\*) Term: **15 Years**  
(21) Appl. No.: **35/511,528**  
(22) Filed: **Sep. 7, 2020**

(80) **Hague Agreement Data**  
Int. Filing Date: **Sep. 7, 2020**  
Int. Reg. No.: **DM/211260**  
Int. Reg. Date: **Sep. 7, 2020**  
Int. Reg. Pub. Date: **Mar. 12, 2021**

(30) **Foreign Application Priority Data**  
Mar. 11, 2020 (JP) ..... 2020-004867 D  
Mar. 11, 2020 (JP) ..... 2020-004870 D  
(51) **LOC (13) Cl.** ..... **24-02**  
(52) **U.S. Cl.**  
USPC ..... **D24/112; D24/130**  
(58) **Field of Classification Search**  
USPC ..... D24/130, 144, 146, 147, 112  
CPC ..... A61M 25/10; A61M 25/00; A61M 25/01;  
A61M 25/09  
See application file for complete search history.

(56) **References Cited**  
U.S. PATENT DOCUMENTS  
D196,998 S \* 11/1963 Glassman ..... D24/112  
D359,801 S \* 6/1995 Boykin ..... D24/112  
5,891,082 A \* 4/1999 Leone ..... A61M 29/02  
607/94  
6,156,005 A \* 12/2000 Theron ..... A61M 25/104  
604/101.05

7,186,237 B2 \* 3/2007 Meyer ..... A61M 25/104  
604/96.01  
D575,401 S \* 8/2008 Hixson ..... D24/146  
D668,337 S \* 10/2012 Schurg ..... D24/146  
D724,201 S \* 3/2015 Homsy ..... D24/112  
(Continued)

**OTHER PUBLICATIONS**

Youtube. OKAY® II Y-Connector—Infraredx. Jul. 21, 2020. <https://www.youtube.com/watch?v=hoSsTrWXUJQ> (Year: 2020).\*  
(Continued)

*Primary Examiner* — Darcey E Gottschalk

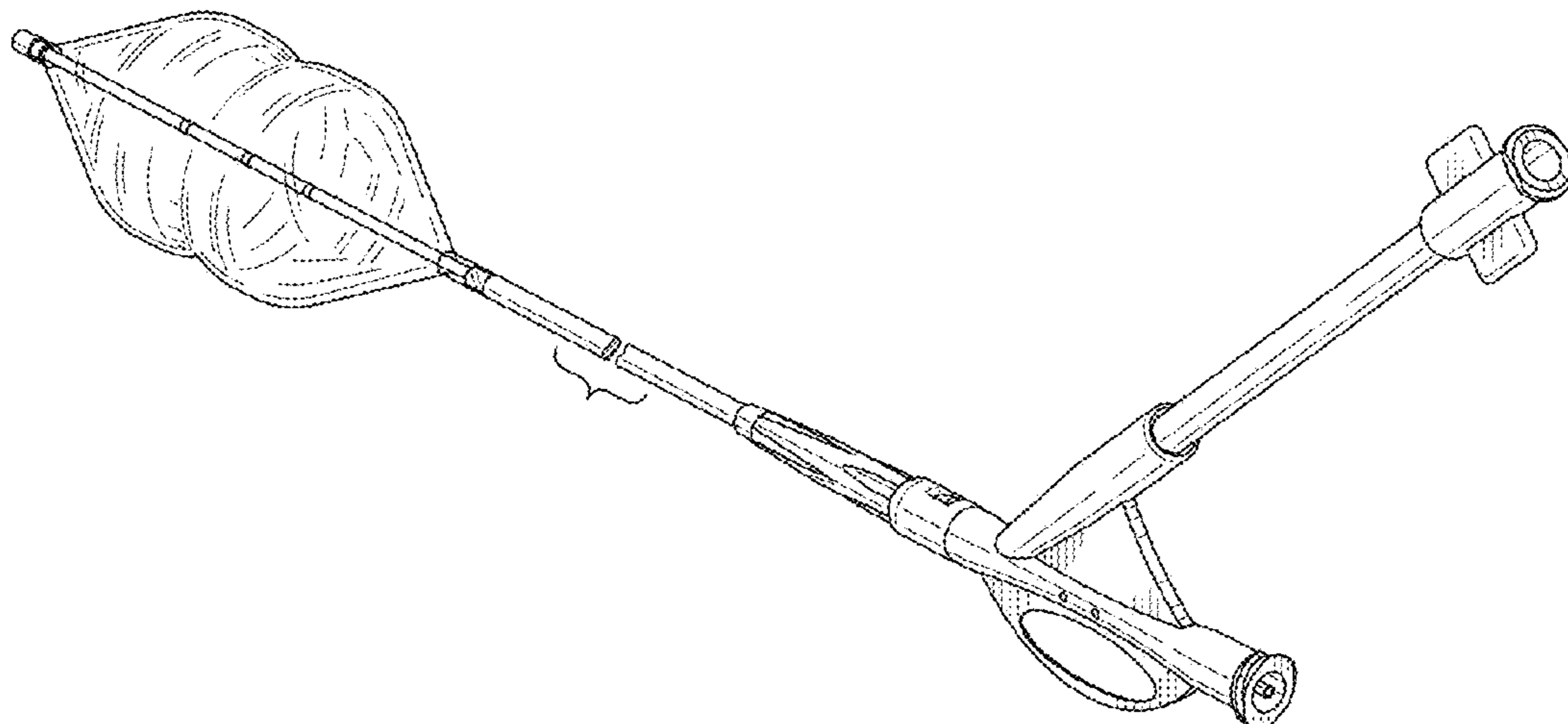
(57) **CLAIM**

The ornamental design for a balloon catheter, as shown and described.

**DESCRIPTION**

**1.1:** a first perspective view of the balloon catheter with a balloon portion thereof in an inflated state.  
**1.2:** a second perspective view thereof.  
**1.3:** a front elevational view thereof.  
**1.4:** a rear elevational view thereof.  
**1.5:** a top plan view thereof.  
**1.6:** a bottom plan view thereof.  
**1.7:** a left elevational view thereof.  
**1.8:** a right elevational view thereof.  
**1.9:** a first enlarged perspective view of the balloon portion of the balloon catheter in the inflated state.  
**1.10:** a second enlarged perspective view of a balloon portion of the balloon catheter in the inflated state.  
**1.11:** a front elevational view of the balloon portion of the balloon catheter in the inflated state.  
**1.12:** a perspective view of the balloon catheter with the balloon portion thereof in a deflated state.  
The parallel thin lines on the surfaces of the balloon catheter represent only shading and do not illustrate ornamentation or decoration. The curly brackets and the breaks in the drawings indicate indeterminate length of the balloon catheter and form no part of the claimed design.

**1 Claim, 12 Drawing Sheets**



(56)

**References Cited**

U.S. PATENT DOCUMENTS

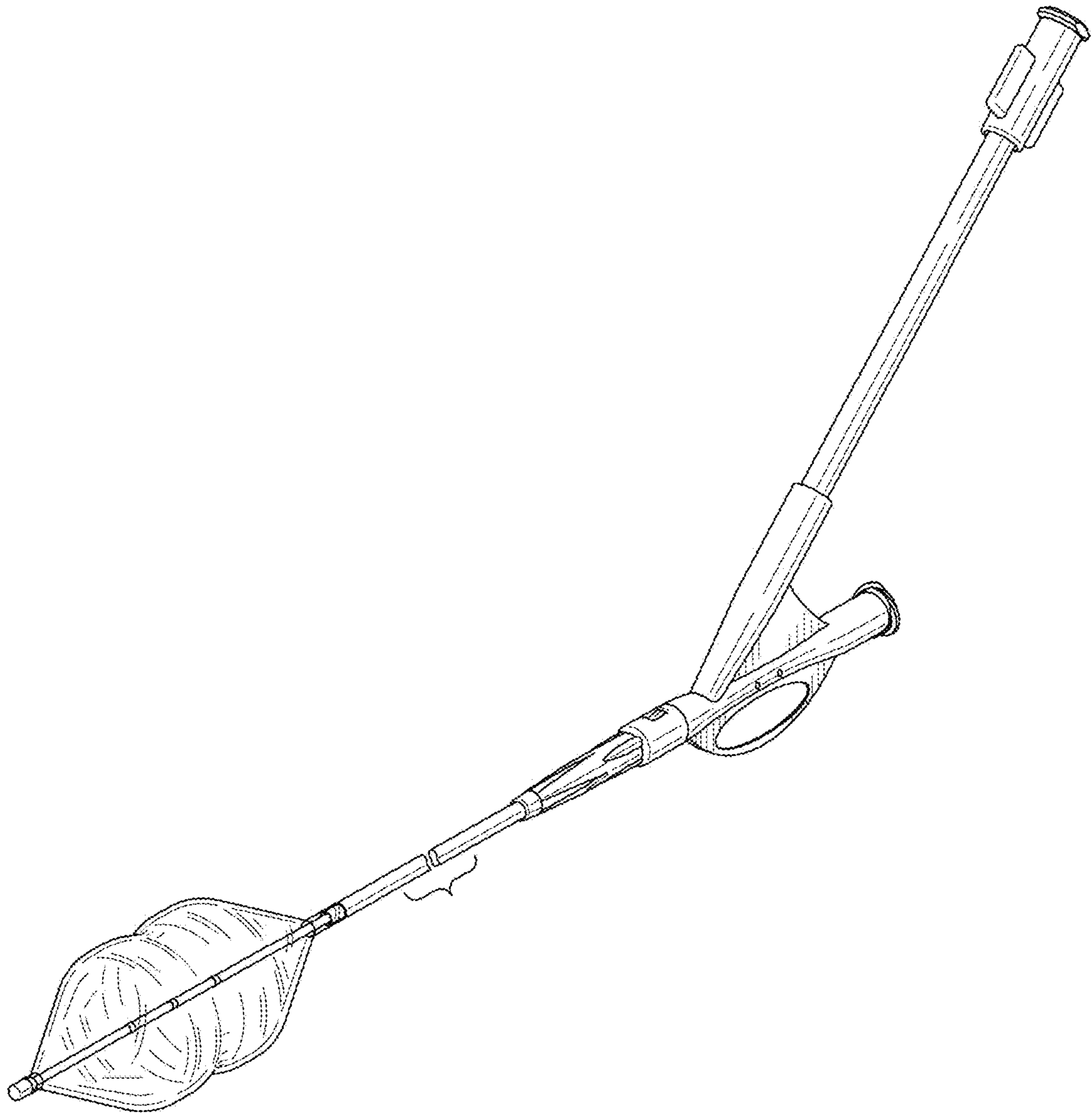
D748,259 S \* 1/2016 Okihisa ..... D24/144  
D748,787 S \* 2/2016 Windgassen ..... D24/143  
D811,588 S \* 2/2018 Kaiser ..... D24/112  
D868,253 S \* 11/2019 Fojtik ..... D24/146  
D901,688 S \* 11/2020 Thouément ..... D24/146  
10,842,971 B2 \* 11/2020 Iwano ..... A61M 25/09  
D950,715 S \* 5/2022 Sandberg ..... D24/112  
2009/0018526 A1 \* 1/2009 Power ..... A61M 25/10  
623/1.11  
2012/0065718 A1 \* 3/2012 Simpson ..... A61M 25/1027  
623/1.11  
2015/0238685 A1 \* 8/2015 Elias ..... A61B 6/501  
607/45  
2019/0055366 A1 \* 2/2019 Hermel-Davidock .....  
A61L 29/06  
2021/0330946 A1 \* 10/2021 Miller ..... G01F 1/662

OTHER PUBLICATIONS

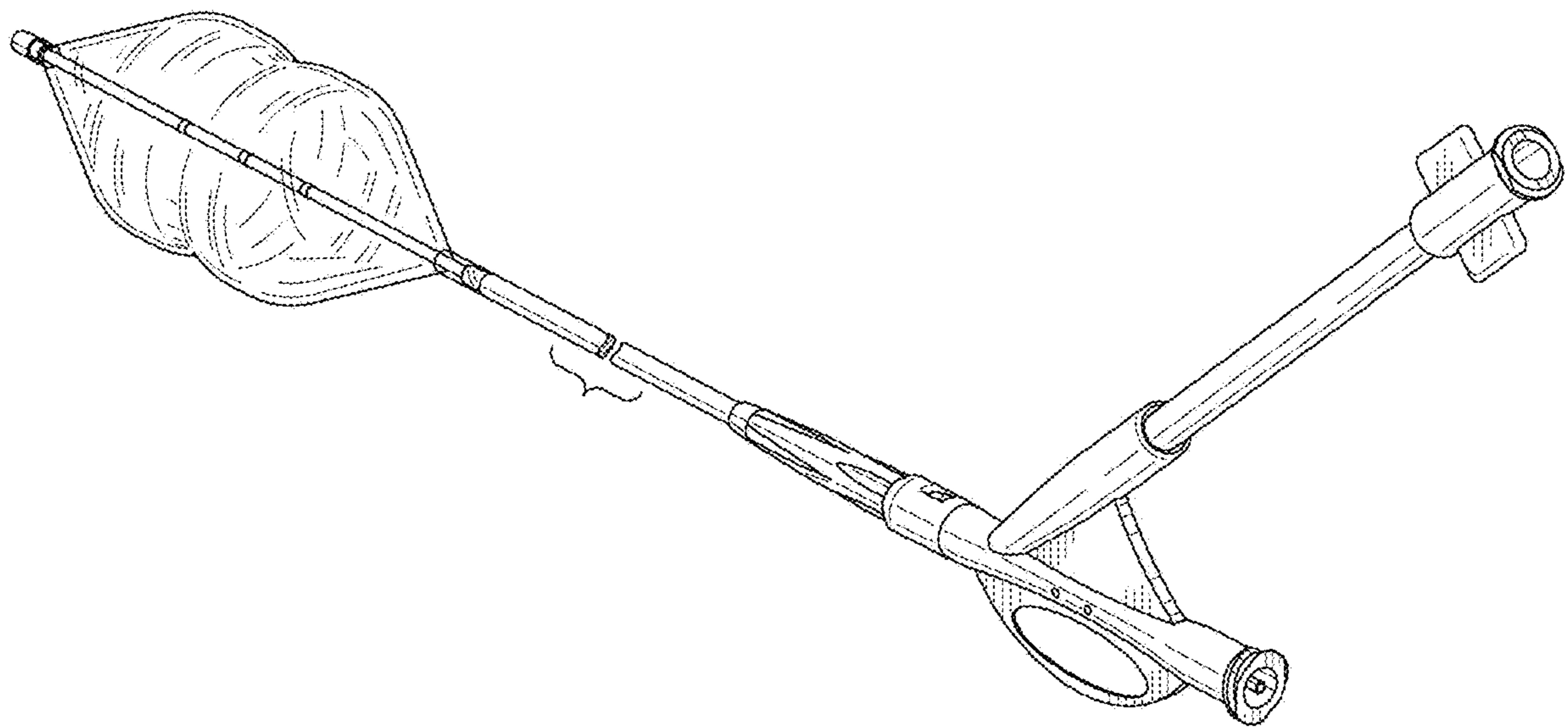
Brage Medical. Okay II Hemostatic Valve / Y Connector. No date specified. <https://www.bragemedical.no/2015/02/04/okay-ii-hemostatic-valve-y-connector/> (Year: 0).\*

\* cited by examiner

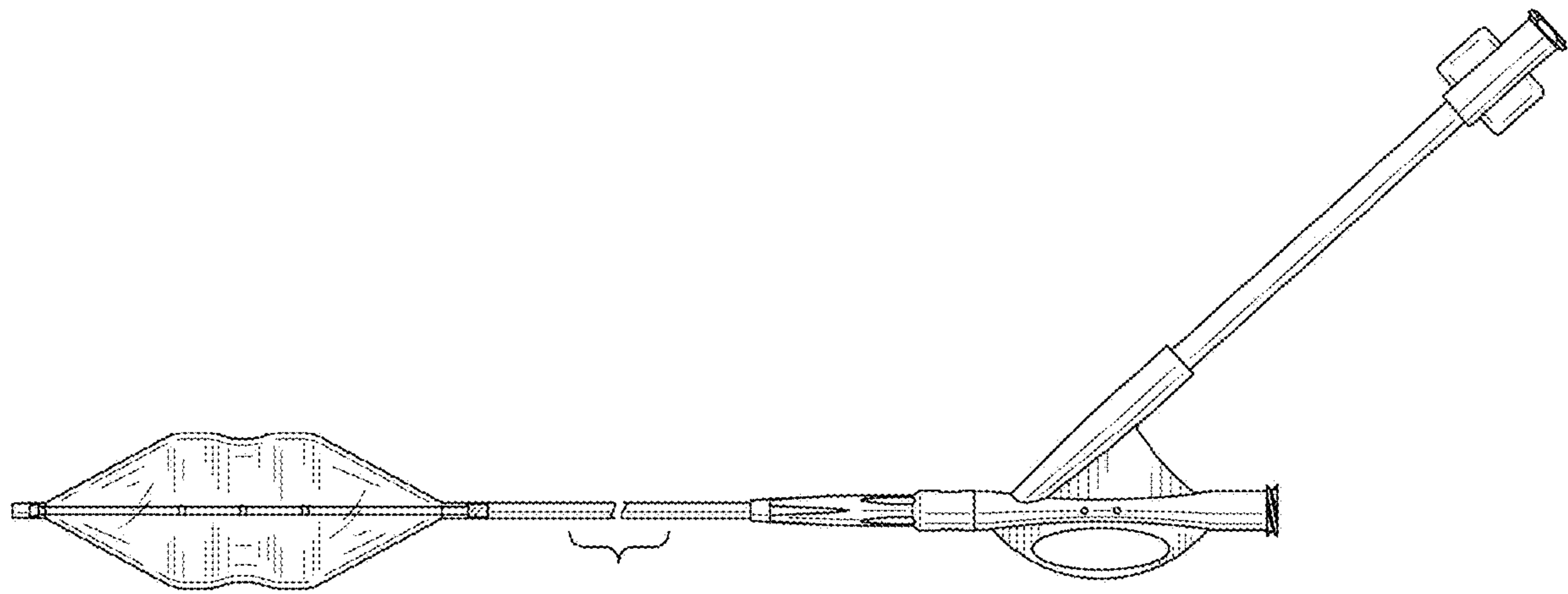
1.1



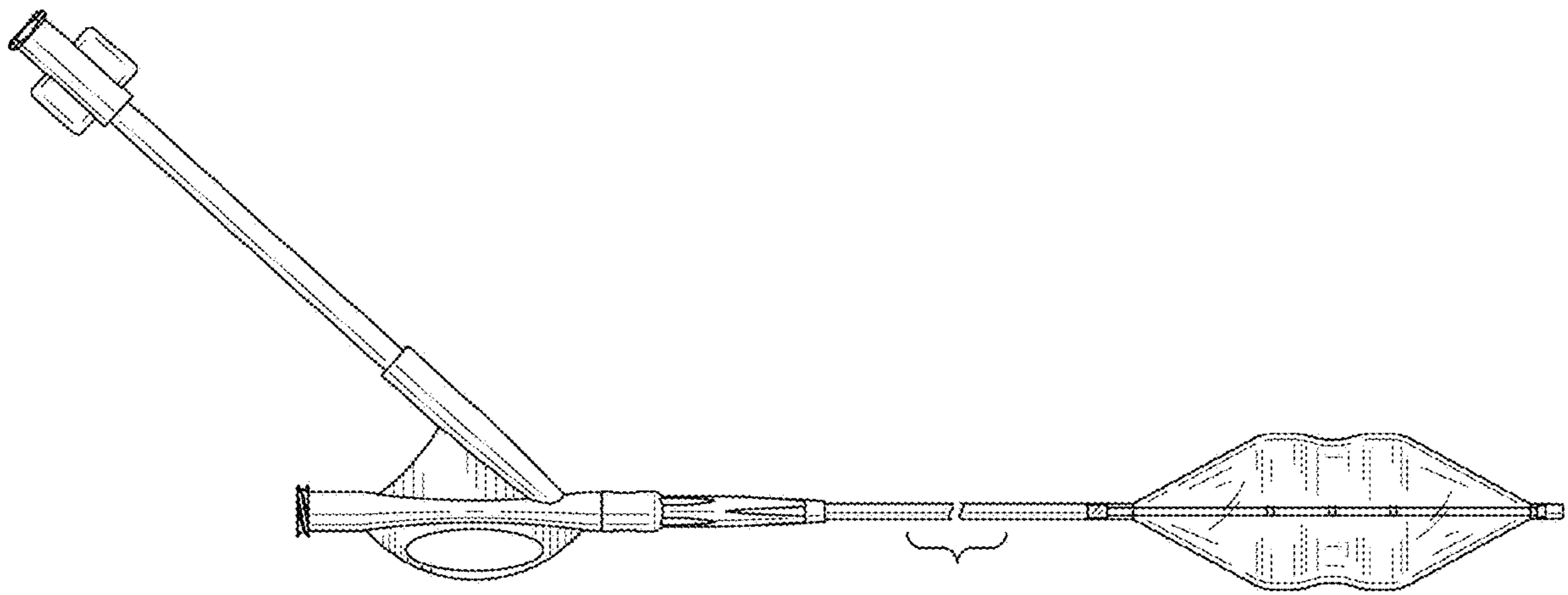
1.2



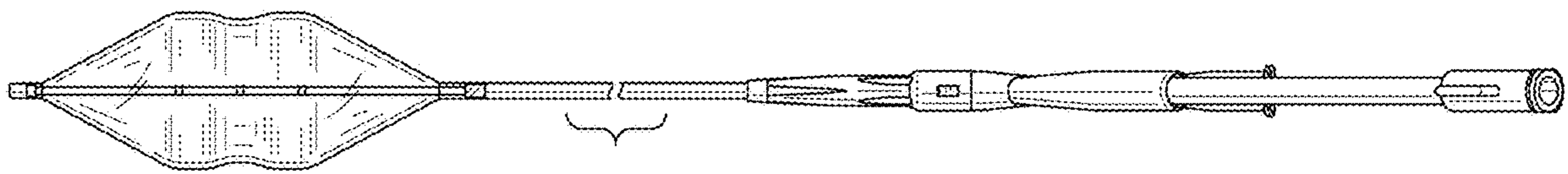
13



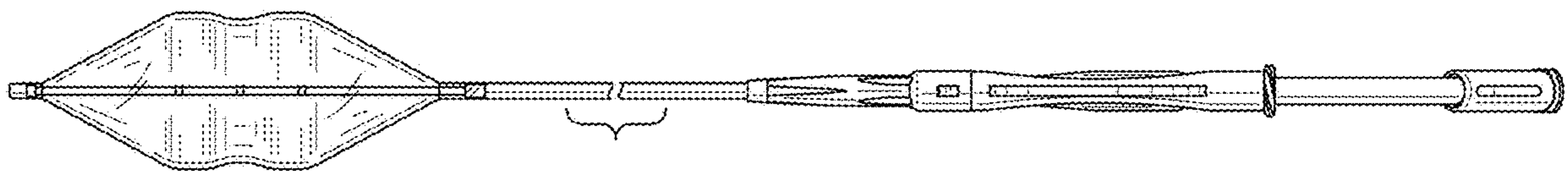
1.4



1.5

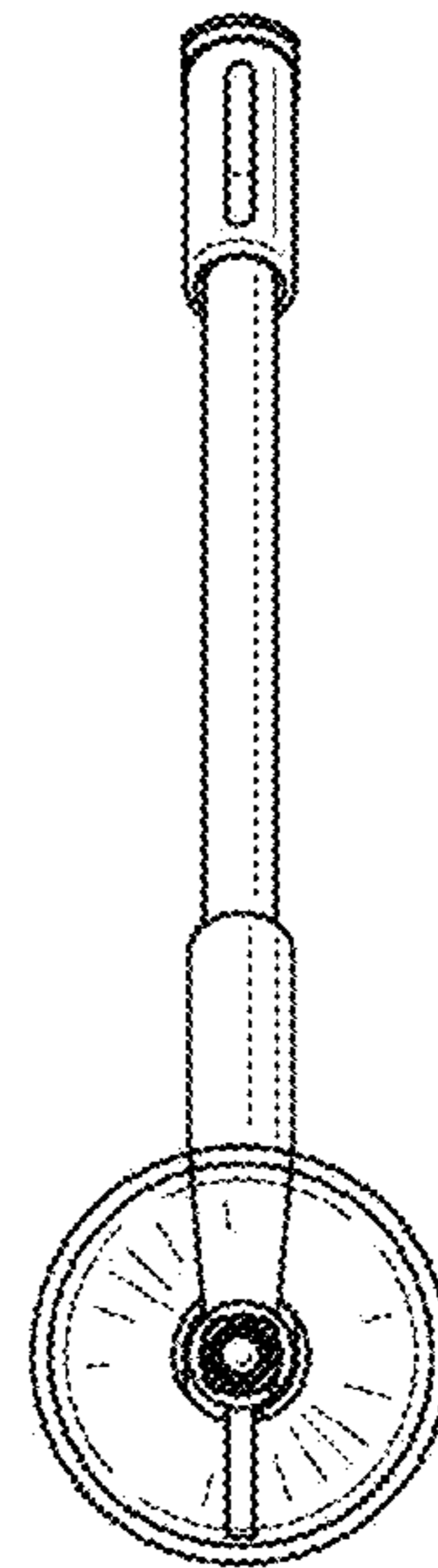


1.6

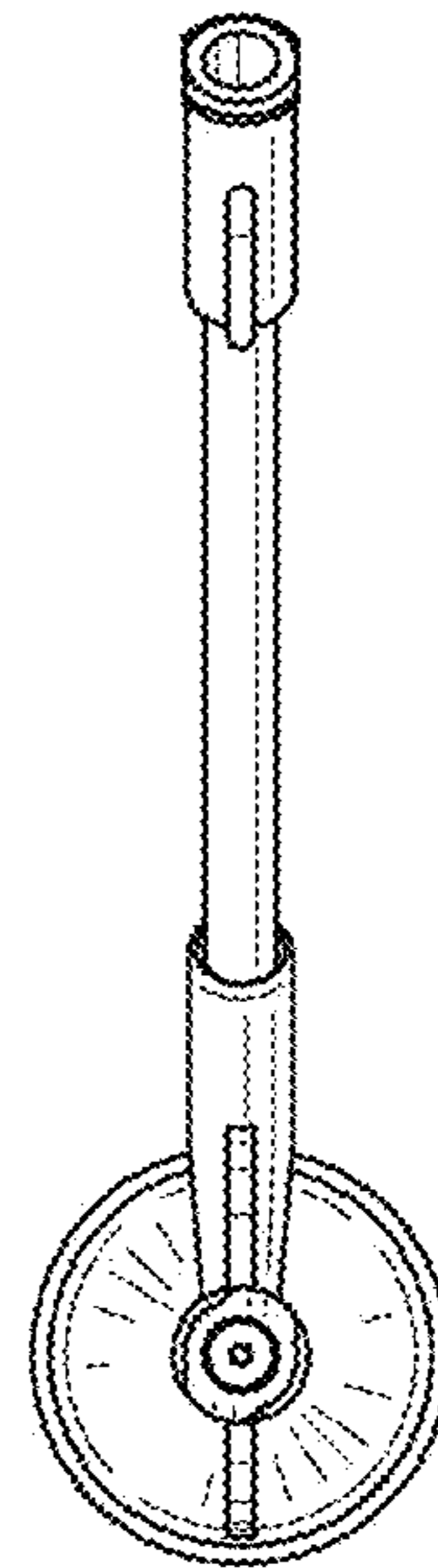




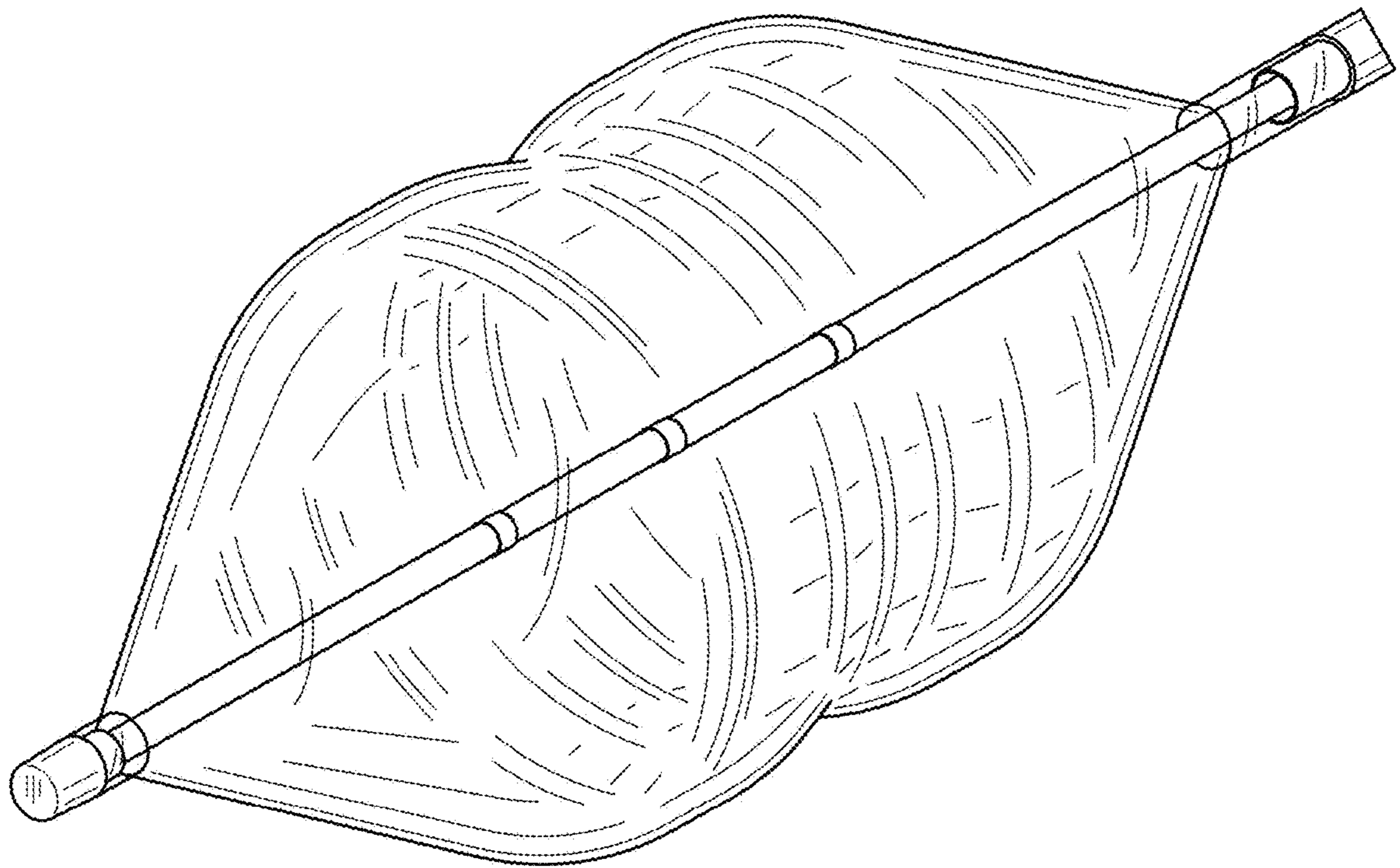
1.7



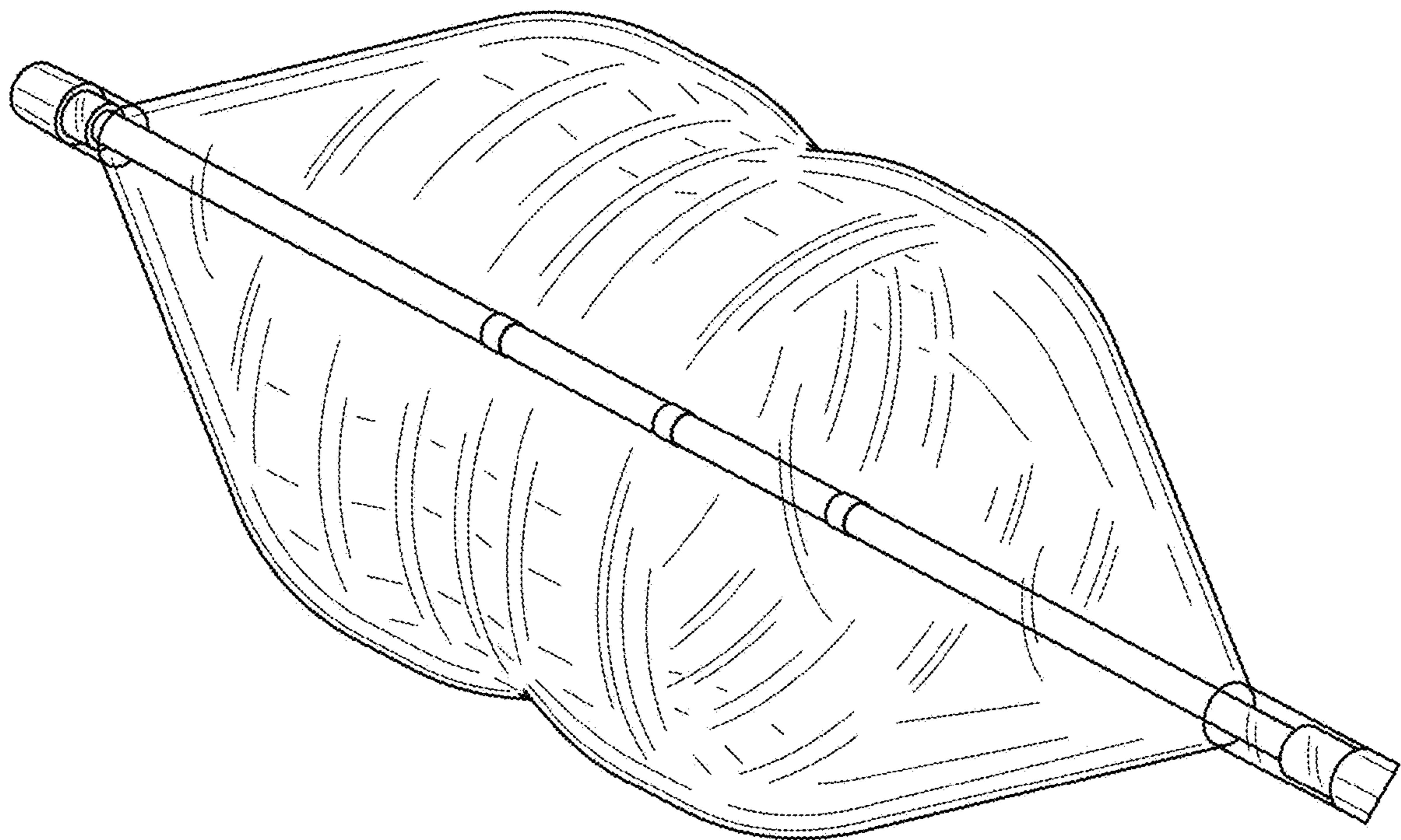
1.8



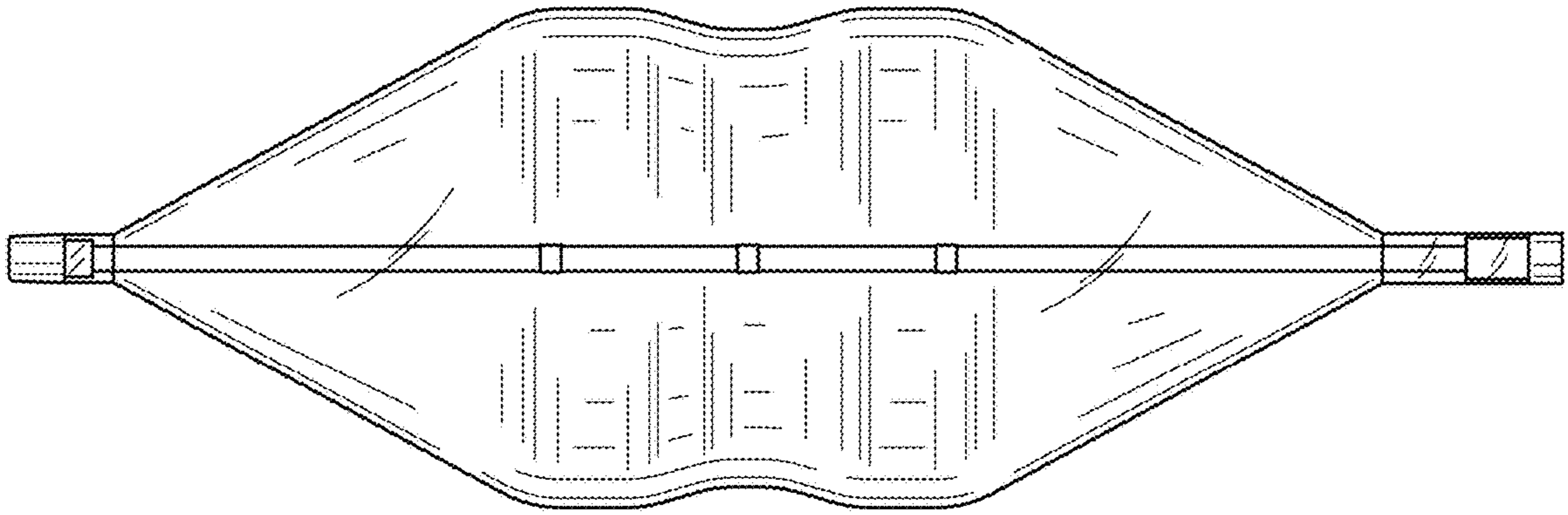
1.9



1.10



1.11



1.12

