

US00D967406S

(12) **United States Design Patent** (10) **Patent No.:** **US D967,406 S**
Healy et al. (45) **Date of Patent:** **** Oct. 18, 2022**

(54) **URINARY CATHETER**

FOREIGN PATENT DOCUMENTS

(71) Applicant: **Hollister Incorporated**, Libertyville, IL (US)

CN 3125873 * 10/1999
CN 107441570 A 12/2017
(Continued)

(72) Inventors: **Paul Healy**, Claremorris (IE);
Satwinder S. Panesar, Foxford (IE);
Heather O'Connor, Ballina (IE);
Michael G. Murray, Ballina (IE)

OTHER PUBLICATIONS

(73) Assignee: **Hollister Incorporated**, Libertyville, IL (US)

Infyna Chic™ Intermittent Catheter, Hollister, Hollister.com, [Post date: Apr. 12, 2021], [Site seen Jul. 7, 2022], Seen at URL: https://www.hollister.com/en/products/continence-care-products/intermittent-catheters/hydrophilic-pre_lubricated/infyna-chic-ready-to-use-hydrophilic-intermittent-catheter (Year: 2021).*

(**) Term: **15 Years**

(Continued)

(21) Appl. No.: **29/779,193**

Primary Examiner — Natasha Vujcic

(22) Filed: **Apr. 16, 2021**

Assistant Examiner — Gilbert B Ford

(51) **LOC (13) Cl.** **24-02**

(74) *Attorney, Agent, or Firm* — Cook Alex Ltd.

(52) **U.S. Cl.**

USPC **D24/112**

(58) **Field of Classification Search**

USPC D24/112–114, 133, 186, 130, 127, 108
CPC .. A61M 25/065; A61M 5/42; A61M 25/0612;
A61M 25/00; A61M 39/00; A61M 27/00;
A61M 25/0043; A61M 25/0067

See application file for complete search history.

(57) **CLAIM**

We claim, the ornamental design for a urinary catheter, as shown and described.

DESCRIPTION

(56) **References Cited**

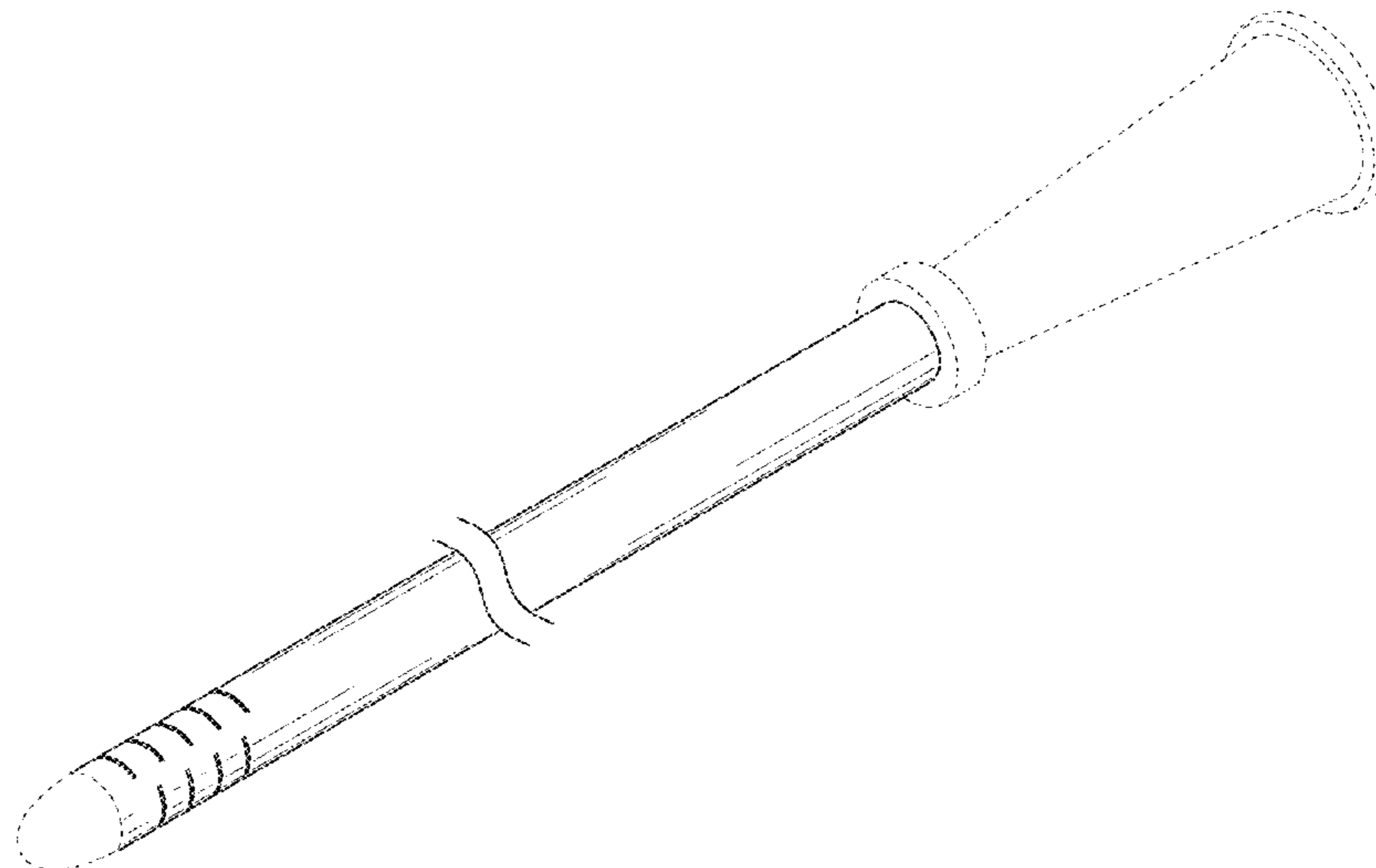
U.S. PATENT DOCUMENTS

| | | | | |
|-----------|-----|---------|------------------|-------------------------|
| 3,459,188 | A | 8/1969 | Roberts | |
| 4,698,058 | A | 10/1987 | Greenfeld et al. | |
| 5,163,924 | A | 11/1992 | Beverly | |
| 5,853,518 | A | 12/1998 | Utas | |
| 5,924,206 | A * | 7/1999 | Cote | A61B 17/3213 D24/146 |
| 5,980,483 | A | 11/1999 | Dimitri | |
| D421,303 | S * | 2/2000 | Cote | D24/133 |
| D515,206 | S * | 2/2006 | Tarumi | D24/114 |
| D515,209 | S * | 2/2006 | Tarumi | D24/114 |
| D516,716 | S * | 3/2006 | Weber | D24/114 |
| 7,789,873 | B2 | 9/2010 | Kubalak et al. | |
| D705,925 | S * | 5/2014 | Murray | D24/112 |

(Continued)

FIG. 1 is a front perspective view of a urinary catheter; FIG. 2 is a front elevational view thereof. FIG. 3 is a rear elevational view thereof. FIG. 4 is a right-side elevational view thereof. FIG. 5 is a left-side elevational view thereof. FIG. 6 is a top plan view thereof. FIG. 7 is a bottom plan view of the thereof; and, FIG. 8 is a rear perspective view of thereof. The broken lines in the drawings illustrate portions of the urinary catheter and form no part of the claimed design. The break lines in FIGS. 1-8 indicate that the appearance of any portion of the urinary catheter between the break lines forms no part of the claimed design.

1 Claim, 4 Drawing Sheets



(56)

References Cited

U.S. PATENT DOCUMENTS

10,149,961 B2 12/2018 Carleo
 D846,736 S * 4/2019 Naughton D24/130
 D864,381 S * 10/2019 Miles D24/112
 10,549,068 B2 2/2020 Shevgoor et al.
 D902,387 S * 11/2020 Oellgaard D24/112
 D910,836 S * 2/2021 Sandberg D24/112
 D918,382 S * 5/2021 Naughton D24/112
 D956,222 S * 6/2022 Vaughan D24/133
 11,376,395 B2 * 7/2022 Montes de Oca
 A61M 25/0111
 2008/0262369 A1 10/2008 Colman et al.
 2012/0239004 A1 9/2012 Wong
 2015/0352321 A1 * 12/2015 Hannon A61M 25/0111
 604/544
 2017/0007800 A1 1/2017 Chao et al.
 2017/0296221 A1 10/2017 Di Caprio et al.
 2018/0001055 A1 1/2018 Utas et al.
 2019/0262579 A1 8/2019 Lovmar

2020/0061335 A1 2/2020 Guldager et al.
 2020/0391005 A1 * 12/2020 Murray A61M 25/0113
 2021/0370018 A1 * 12/2021 Murray B65D 75/305

FOREIGN PATENT DOCUMENTS

CN 107670160 A 2/2018
 FR 2240026 A1 3/1975
 WO 2020103996 A1 5/2020
 WO 2020160738 A1 8/2020

OTHER PUBLICATIONS

Cure Twist Female 6 Inches Intermittent Catheter-12 Fr, Riteway Medical, [Post date unknown], [Site seen Jul. 7, 2022], Seen at URL: <https://ritewaymed.com/product/cure-twist-female-6-inches-intermittent-catheter-12-fr/> (Year: 2022).
 Kennelly et al., "Adult Neurogenic Lower Urinary Tract Dysfunction and Intermittent Catheterisation in a Community Setting: Risk Factors Model for Urinary Tract Infections," Apr. 2, 2019, *Advances in Urology*, vol. 2019.

* cited by examiner

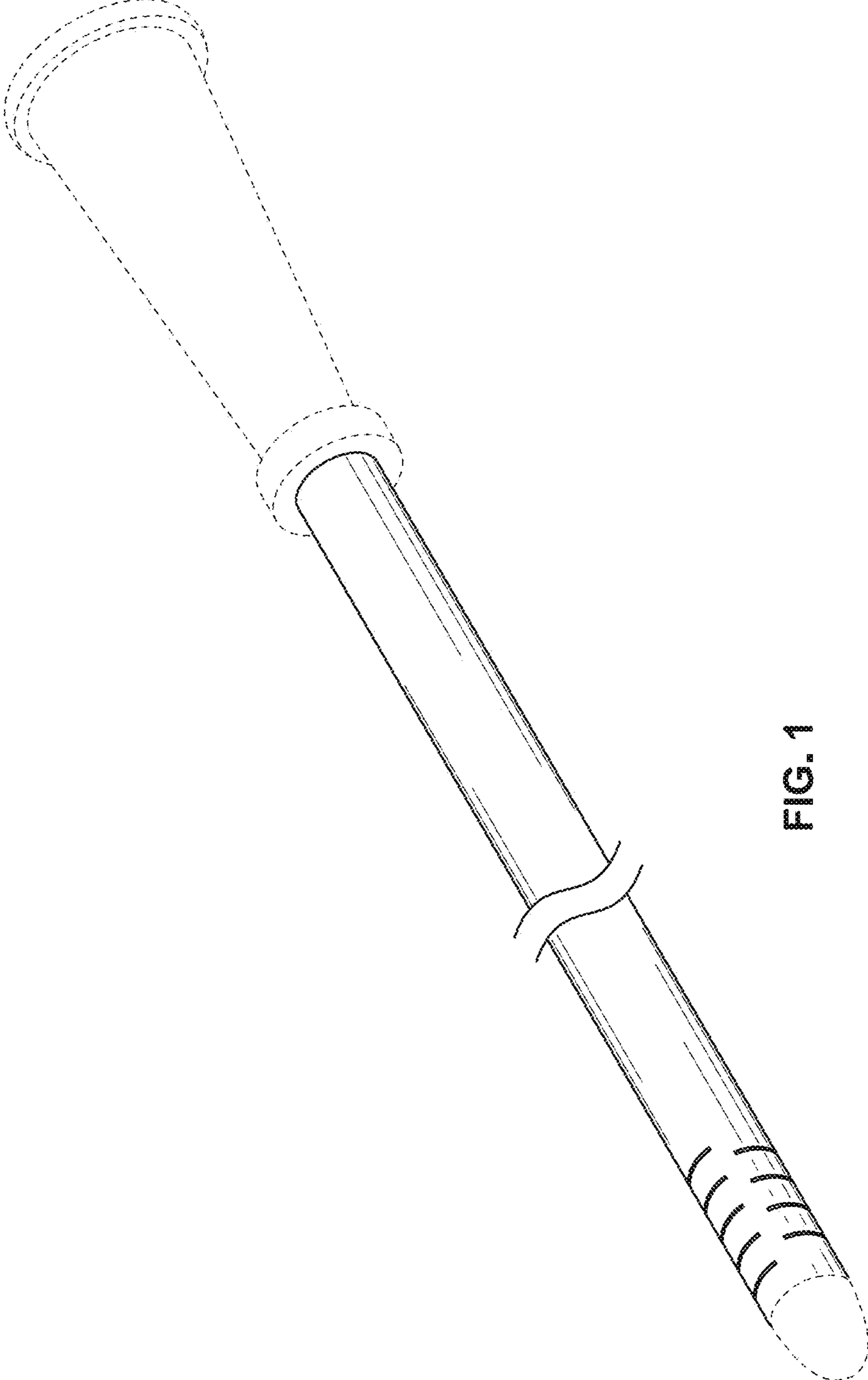


FIG. 1

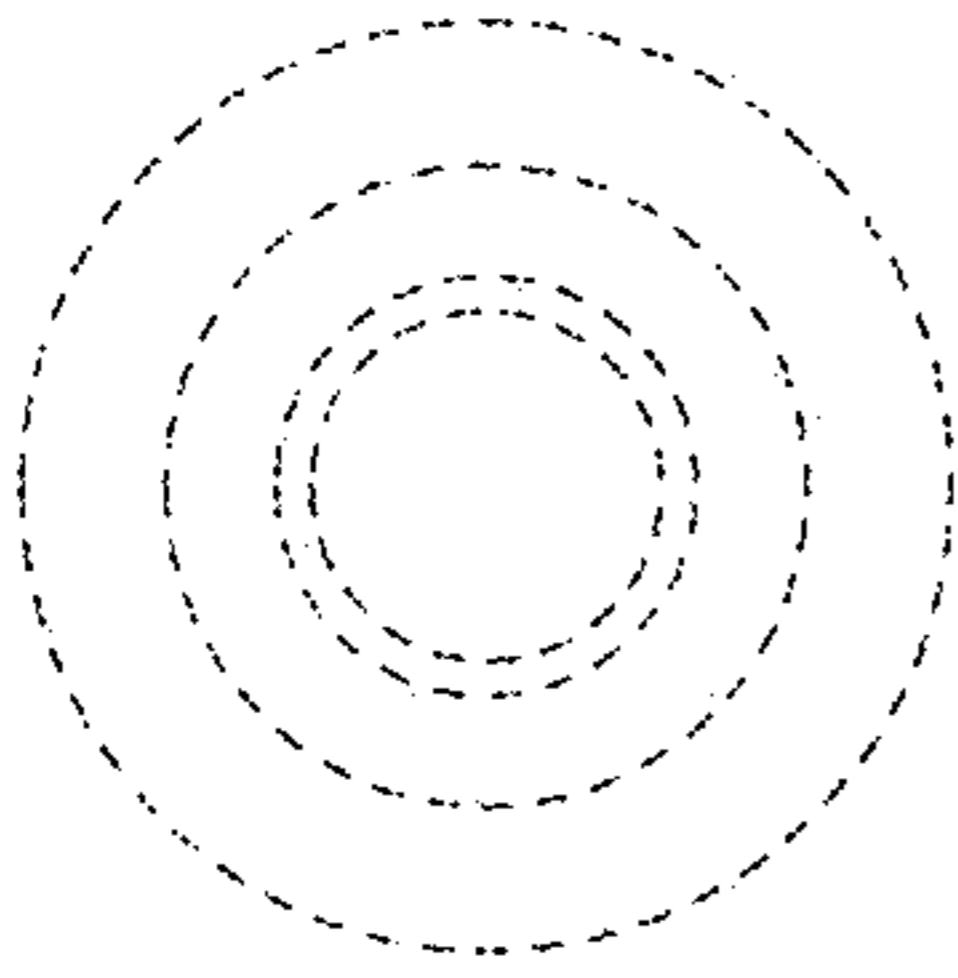


FIG. 2

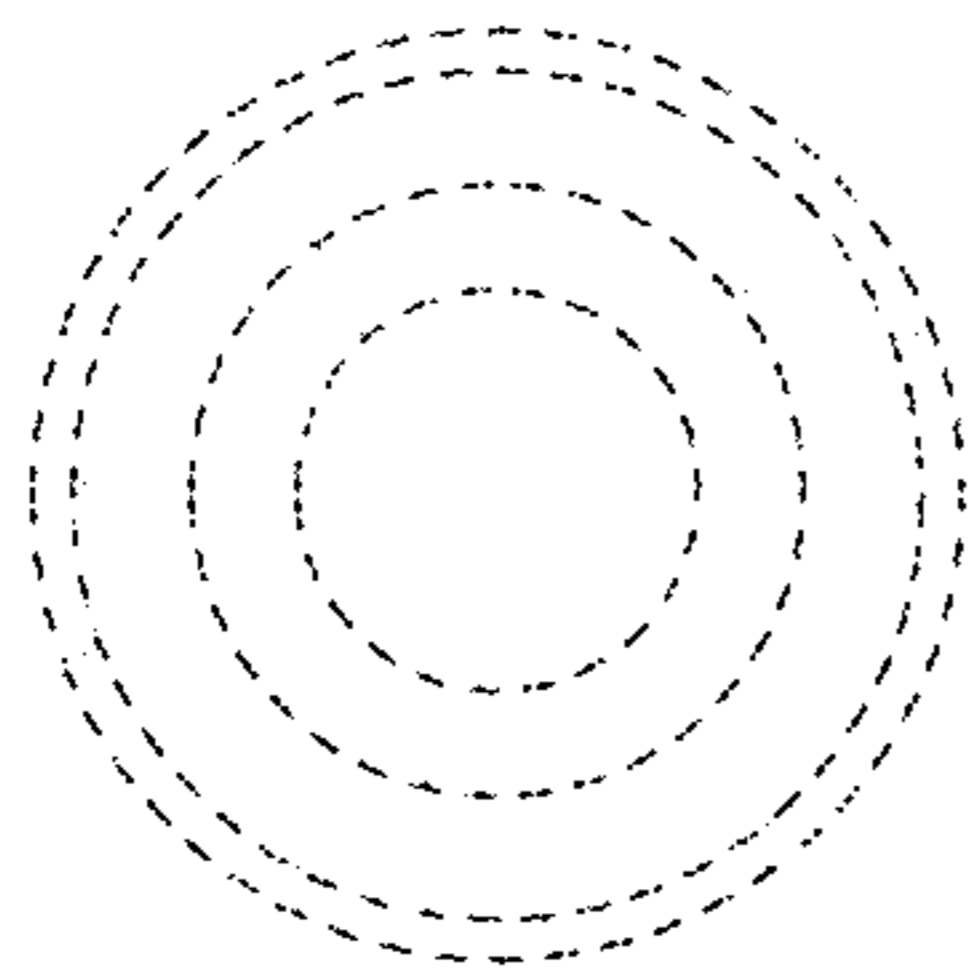


FIG. 3

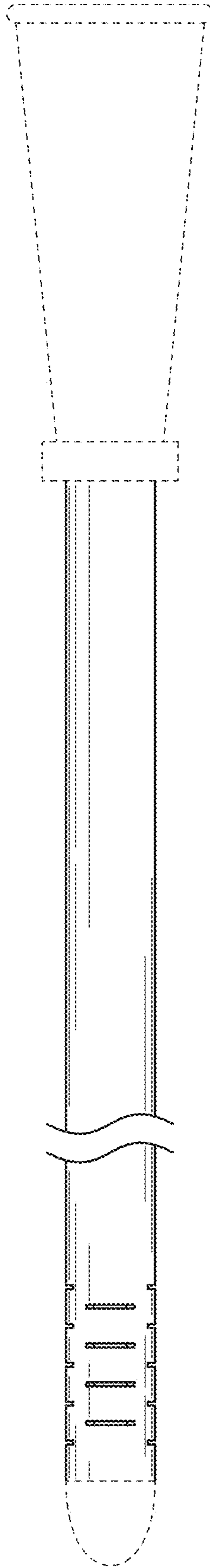


FIG. 4

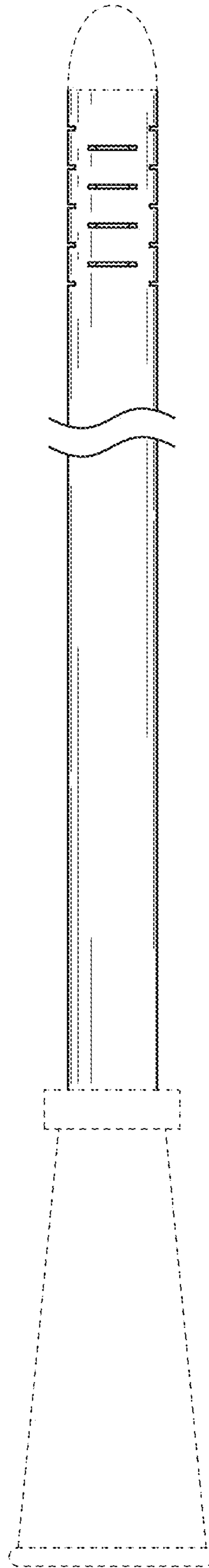


FIG. 5

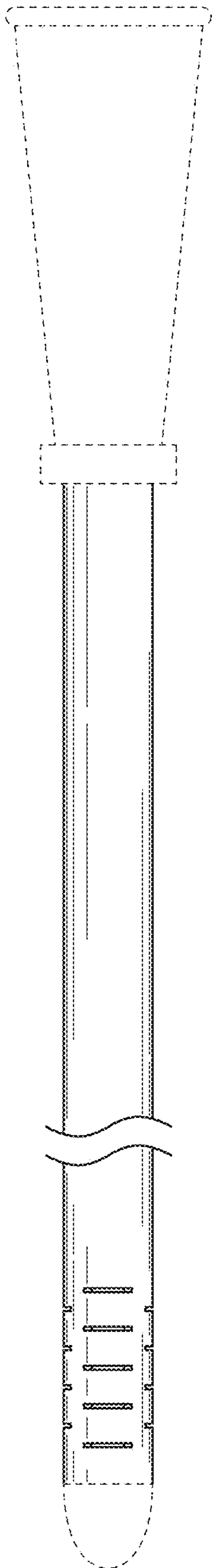


FIG. 6

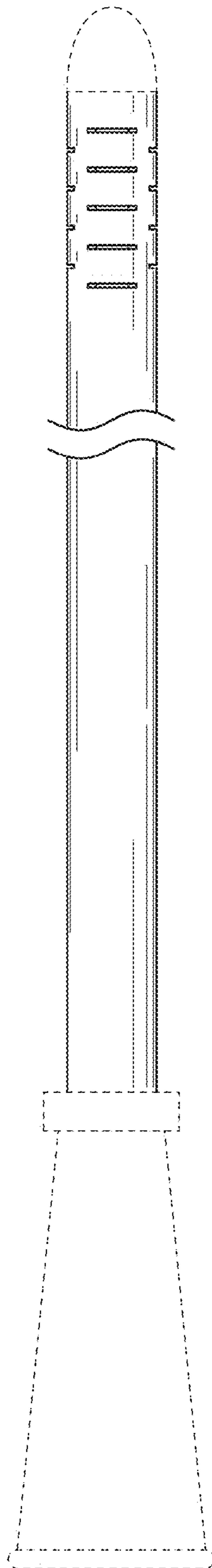


FIG. 7

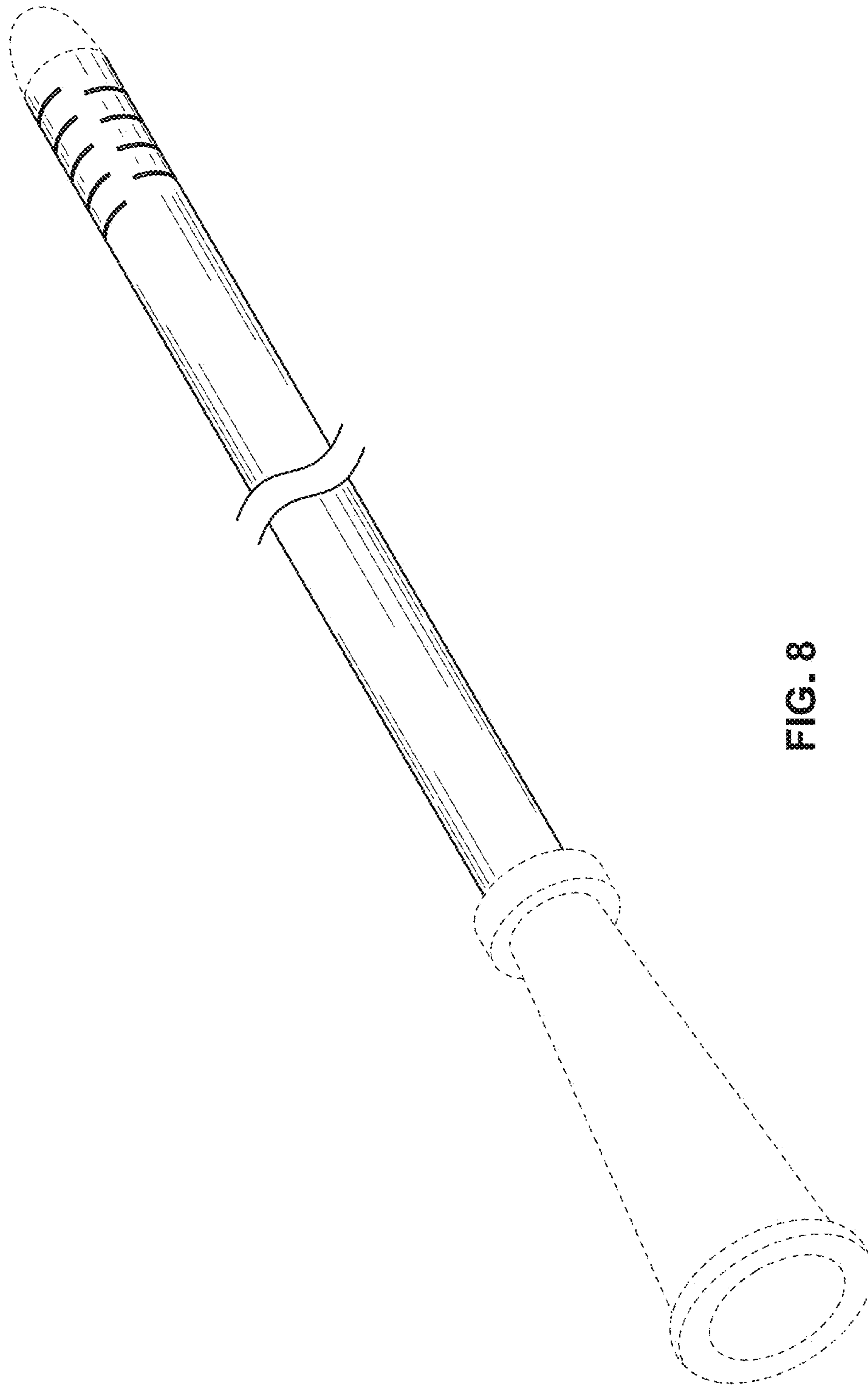


FIG. 8