



US00D967405S

(12) **United States Design Patent** (10) **Patent No.:** **US D967,405 S**
Healy et al. (45) **Date of Patent:** **** Oct. 18, 2022**

(54) **URINARY CATHETER**

FOREIGN PATENT DOCUMENTS

(71) Applicant: **Hollister Incorporated**, Libertyville, IL (US)

CN 3125873 * 10/1999
CN 107441570 A 12/2017
(Continued)

(72) Inventors: **Paul Healy**, Claremorris (IE);
Satwinder S. Panesar, Foxford (IE);
Heather O'Connor, Ballina (IE);
Michael G. Murray, Ballina (IE)

OTHER PUBLICATIONS

(73) Assignee: **Hollister Incorporated**, Libertyville, IL (US)

Infyna Chic™ Intermittent Catheter, Hollister, Hollister.com, [Post-date: Apr. 12, 2021], [Site seen Jul. 7, 2022], Seen at URL: https://www.hollister.com/en/products/continence-care-products/intermittent-catheters/hydrophilic-pre_lubricated/infyna-chic-ready-to-use-hydrophilic-intermittent-catheter (Year: 2021).*

(**) Term: **15 Years**

(Continued)

(21) Appl. No.: **29/779,191**

Primary Examiner — Natasha Vujcic

(22) Filed: **Apr. 16, 2021**

Assistant Examiner — Gilbert B Ford

(51) **LOC (13) Cl.** **24-02**

(74) *Attorney, Agent, or Firm* — Cook Alex Ltd.

(52) **U.S. Cl.**

USPC **D24/112**

(58) **Field of Classification Search**

USPC D24/112–114, 133, 186, 130, 127, 108
CPC .. A61M 25/065; A61M 5/42; A61M 25/0612;
A61M 25/00; A61M 39/00; A61M 27/00;
A61M 25/0043; A61M 25/0067

See application file for complete search history.

(57) **CLAIM**

We claim, the ornamental design for a urinary catheter, as shown and described.

DESCRIPTION

(56) **References Cited**

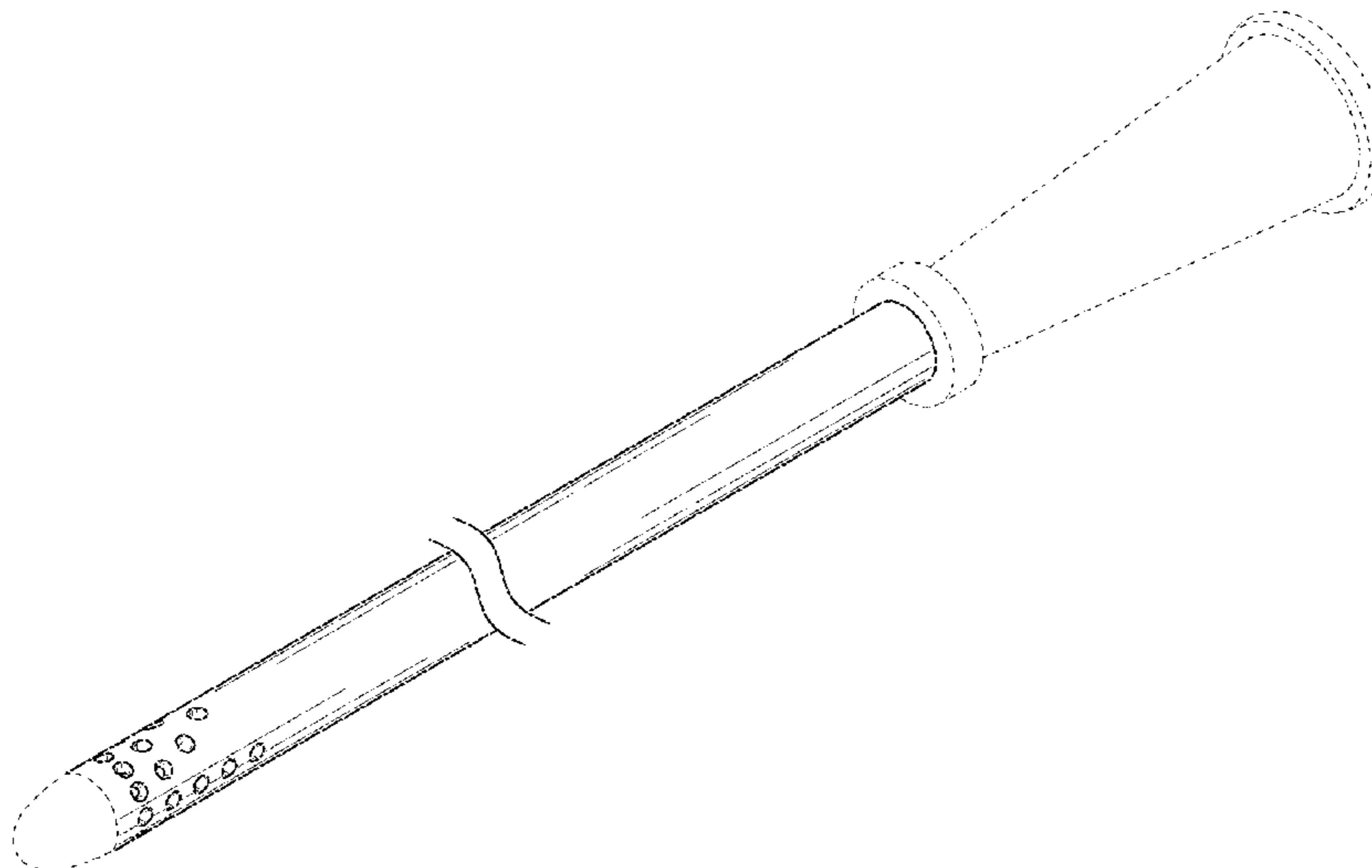
U.S. PATENT DOCUMENTS

3,459,188	A	8/1969	Roberts	
4,698,058	A	10/1987	Greenfeld et al.	
5,163,924	A	11/1992	Beverly	
5,853,518	A	12/1998	Utas	
5,924,206	A *	7/1999	Cote	A61B 17/3213 D24/146
5,980,483	A	11/1999	Dimitri	
D421,303	S *	2/2000	Cote	D24/133
D515,206	S *	2/2006	Tarumi	D24/114
D515,209	S *	2/2006	Tarumi	D24/114
D516,716	S *	3/2006	Weber	D24/114
7,789,873	B2	9/2010	Kubalak et al.	
D705,925	S *	5/2014	Murray	D24/112

(Continued)

FIG. 1 is a front perspective view of a urinary catheter; FIG. 2 is a front elevational view thereof. FIG. 3 is a rear elevational view thereof. FIG. 4 is a right-side elevational view thereof. FIG. 5 is a left-side elevational view thereof. FIG. 6 is a top plan view thereof. FIG. 7 is a bottom plan view of the thereof; and, FIG. 8 is a rear perspective view of thereof. The broken lines in the drawings illustrate portions of the urinary catheter and form no part of the claimed design. The break lines in FIGS. 1-8 indicate that the appearance of any portion of the urinary catheter between the break lines forms no part of the claimed design.

1 Claim, 4 Drawing Sheets



(56)

References Cited

U.S. PATENT DOCUMENTS

10,149,961	B2	12/2018	Carleo	
D846,736	S *	4/2019	Naughton	D24/130
D864,381	S *	10/2019	Miles	D24/112
10,549,068	B2	2/2020	Shevgoor et al.	
D902,387	S *	11/2020	Oellgaard	D24/112
D910,836	S *	2/2021	Sandberg	D24/112
D918,382	S *	5/2021	Naughton	D24/112
D956,222	S *	6/2022	Vaughan	D24/133
11,376,395	B2 *	7/2022	Montes de Oca	A61M 25/0111
2008/0262369	A1	10/2008	Colman et al.	
2012/0239004	A1	9/2012	Wong	
2015/0352321	A1 *	12/2015	Hannon	A61M 25/0111 604/544
2017/0007800	A1	1/2017	Chao et al.	
2017/0296221	A1	10/2017	Di Caprio et al.	
2018/0001055	A1	1/2018	Utas et al.	
2019/0262579	A1	8/2019	Lovmar	

2020/0061335	A1	2/2020	Guldager et al.
2020/0391005	A1 *	12/2020	Murray
2021/0370018	A1 *	12/2021	Murray

FOREIGN PATENT DOCUMENTS

CN	107670160	A	2/2018
FR	2240026	A1	3/1975
WO	2020103996	A1	5/2020
WO	2020160738	A1	8/2020

OTHER PUBLICATIONS

Cure Twist Female 6 Inches Intermittent Catheter—12 Fr, Riteway Medical, [Post date unknown], [Site seen Jul. 7, 2022], Seen at URL: <https://ritewaymed.com/product/cure-twist-female-6-inches-intermittent-catheter-12-fr/> (Year: 2022).*

Kennelly et al., “Adult Neurogenic Lower Urinary Tract Dysfunction and Intermittent Catheterisation in a Community Setting: Risk Factors Model for Urinary Tract Infections,” Apr. 2, 2019, *Advances in Urology*, vol. 2019.

* cited by examiner

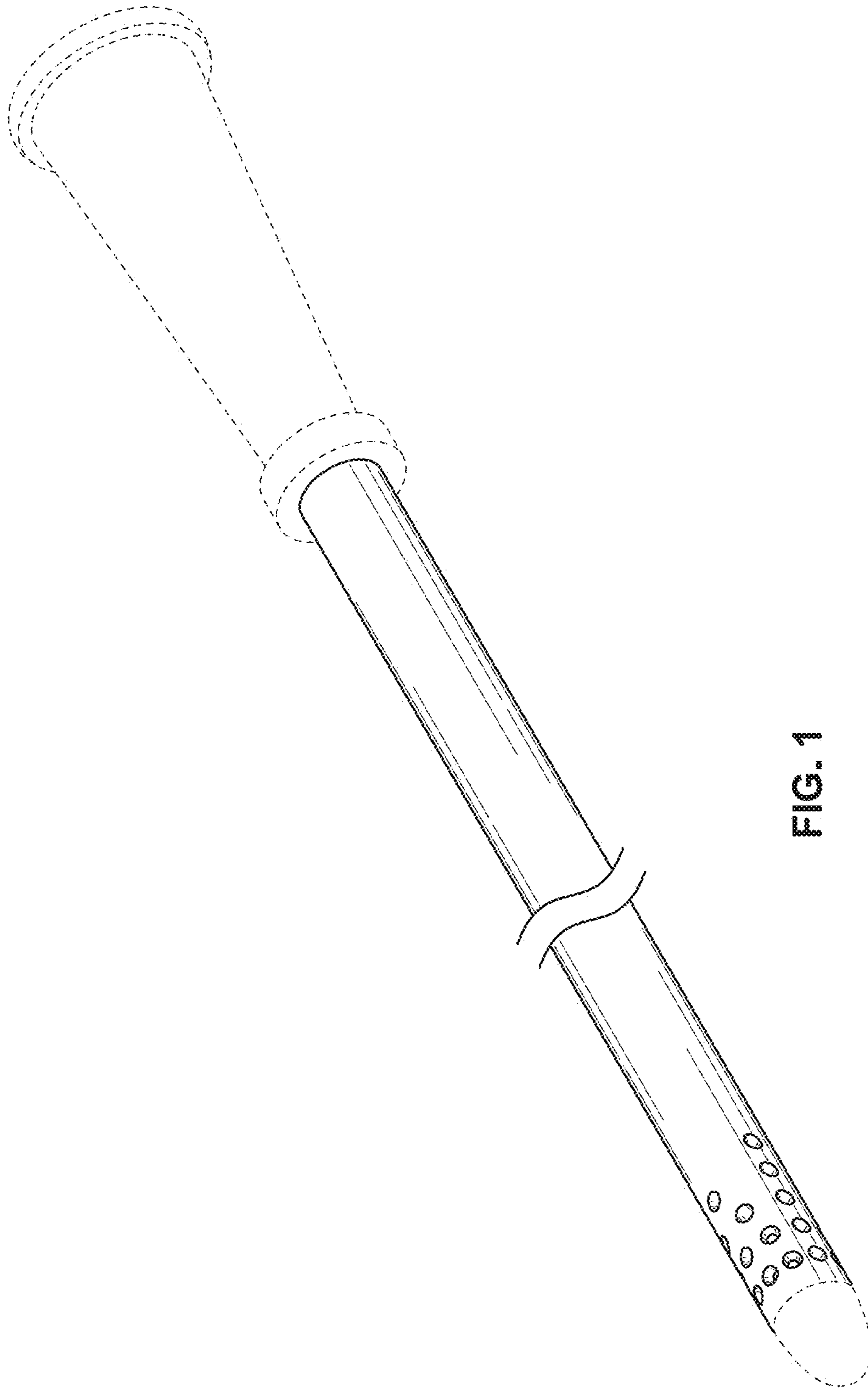


FIG. 1

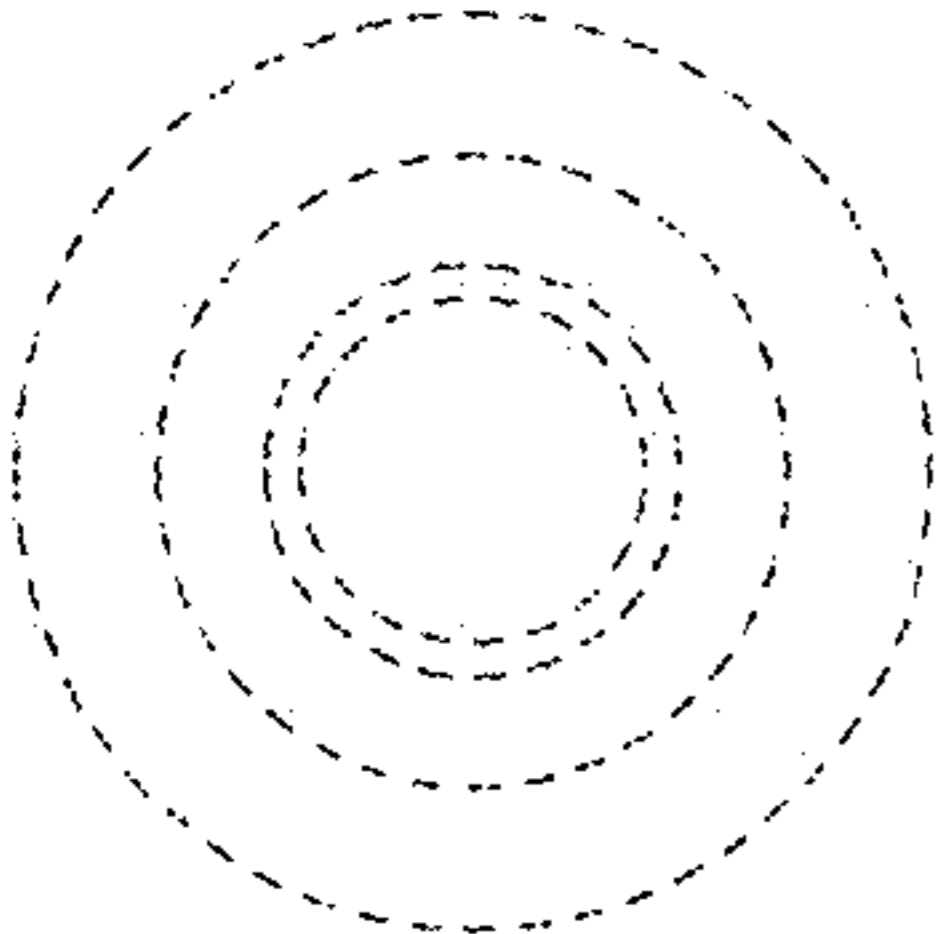


FIG. 2

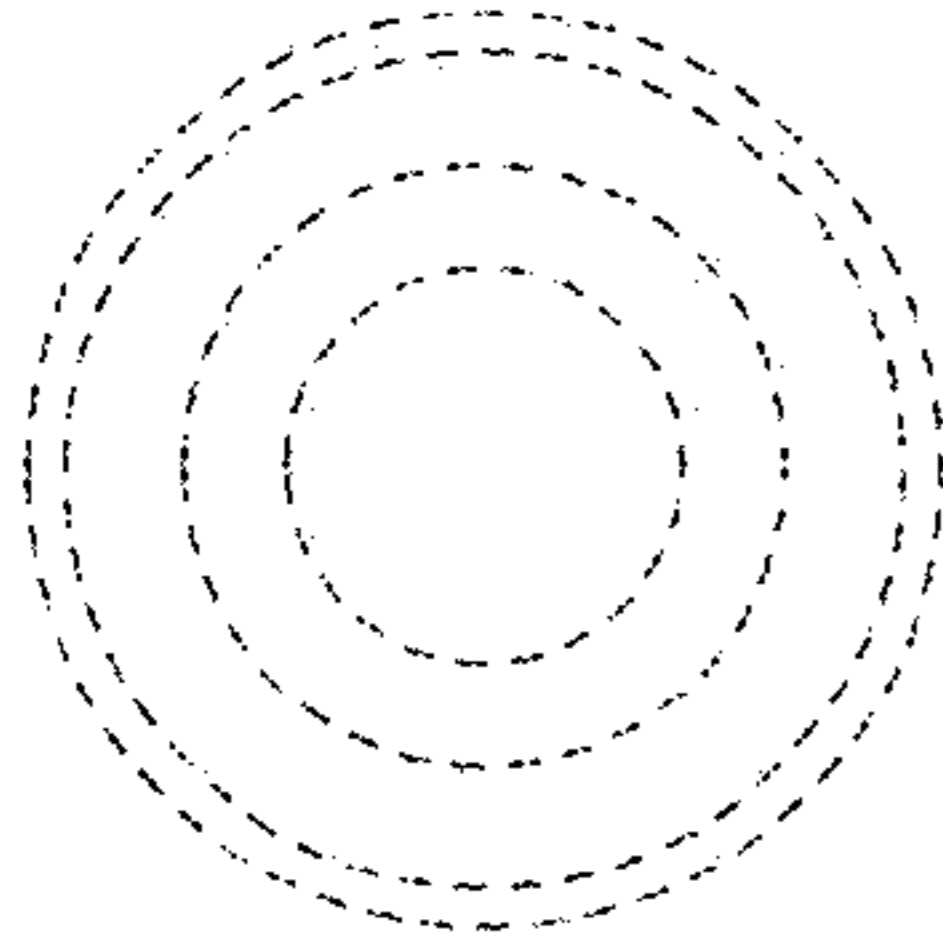


FIG. 3

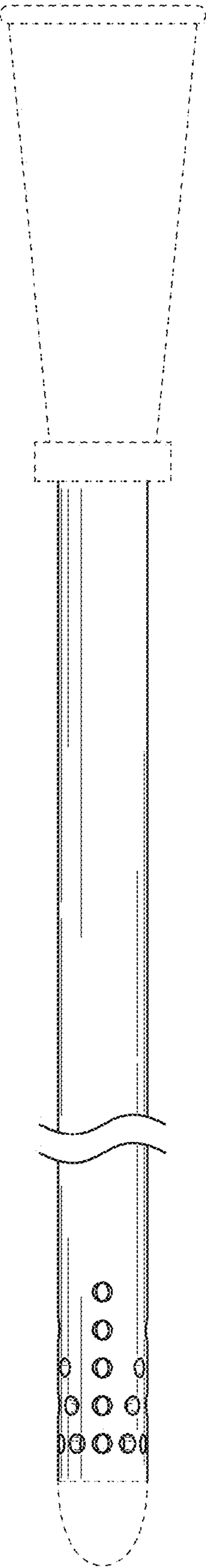


FIG. 4

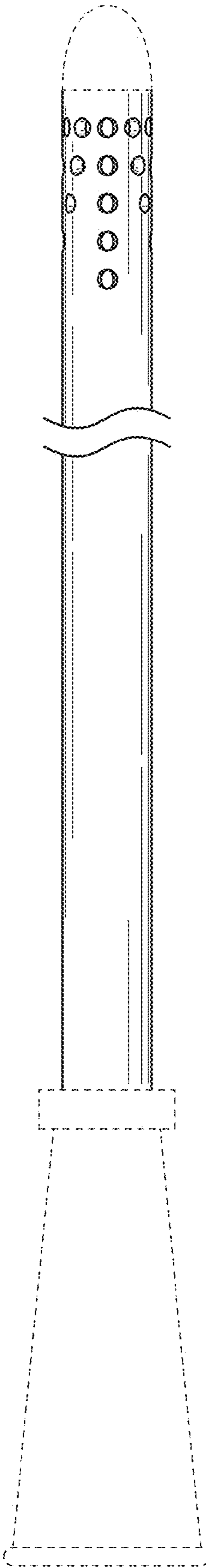


FIG. 5

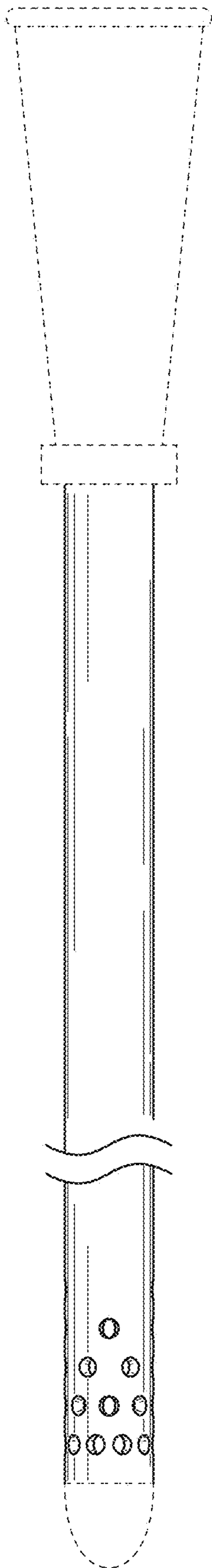


FIG. 6

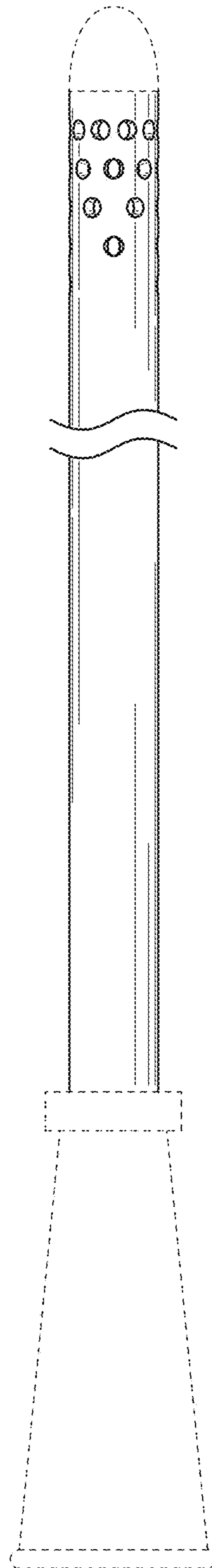


FIG. 7

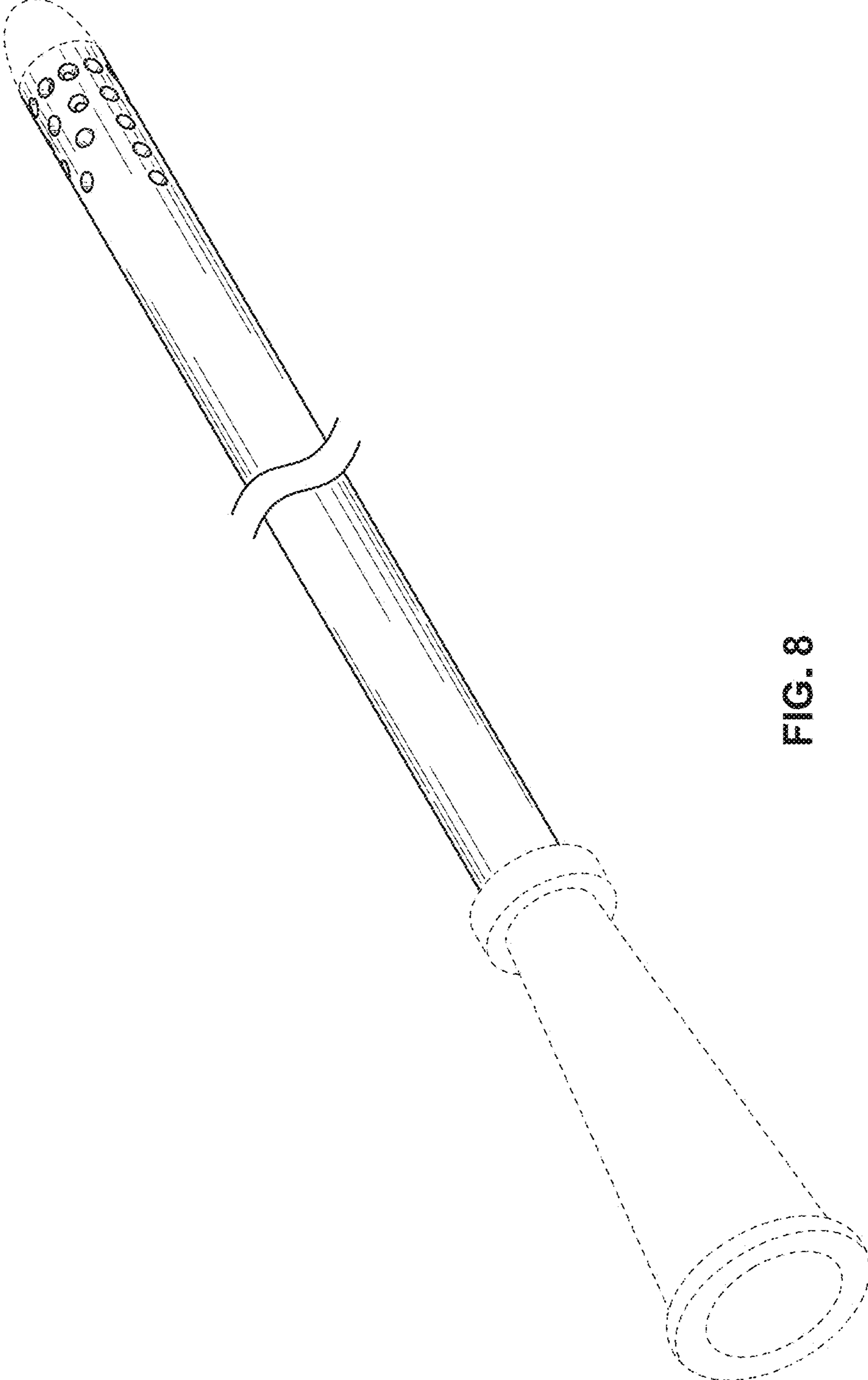


FIG. 8