

US00D967404S

(12) **United States Design Patent**  
**Healy et al.**

(10) **Patent No.:** **US D967,404 S**  
(45) **Date of Patent:** **\*\* Oct. 18, 2022**

(54) **URINARY CATHETER**

FOREIGN PATENT DOCUMENTS

(71) Applicant: **Hollister Incorporated**, Libertyville, IL (US)

CN 3125873 \* 10/1999  
CN 107441570 A 12/2017  
(Continued)

(72) Inventors: **Paul Healy**, Claremorris (IE);  
**Satwinder S. Panesar**, Foxford (IE);  
**Heather O'Connor**, Ballina (IE);  
**Michael G. Murray**, Ballina (IE)

OTHER PUBLICATIONS

(73) Assignee: **Hollister Incorporated**, Libertyviller (IL)

Infyna Chic™ Intermittent Catheter, Hollister, Hollister.com, [Post date: Apr. 12, 2021], [Site seen Jul. 7, 2022], Seen at URL: [https://www.hollister.com/en/products/continence-care-products/intermittent-catheters/hydrophilic-pre\\_lubricated/infyna-chic-ready-to-use-hydrophilic-intermittent-catheter](https://www.hollister.com/en/products/continence-care-products/intermittent-catheters/hydrophilic-pre_lubricated/infyna-chic-ready-to-use-hydrophilic-intermittent-catheter) (Year: 2021).\*

(\*\*) Term: **15 Years**

(Continued)

(21) Appl. No.: **29/779,188**

*Primary Examiner* — Natasha Vujcic  
*Assistant Examiner* — Gilbert B Ford

(22) Filed: **Apr. 16, 2021**

(74) *Attorney, Agent, or Firm* — Cook Alex Ltd.

(51) **LOC (13) Cl.** ..... **24-02**

(52) **U.S. Cl.**  
USPC ..... **D24/112**

(58) **Field of Classification Search**  
USPC ..... D24/112–114, 133, 186, 130, 127, 108  
CPC .. A61M 25/065; A61M 5/42; A61M 25/0612;  
A61M 25/00; A61M 39/00; A61M 27/00;  
A61M 25/0043; A61M 25/0067  
See application file for complete search history.

(57) **CLAIM**

We claim, the ornamental design for a urinary catheter, as shown and described.

(56) **References Cited**

**DESCRIPTION**

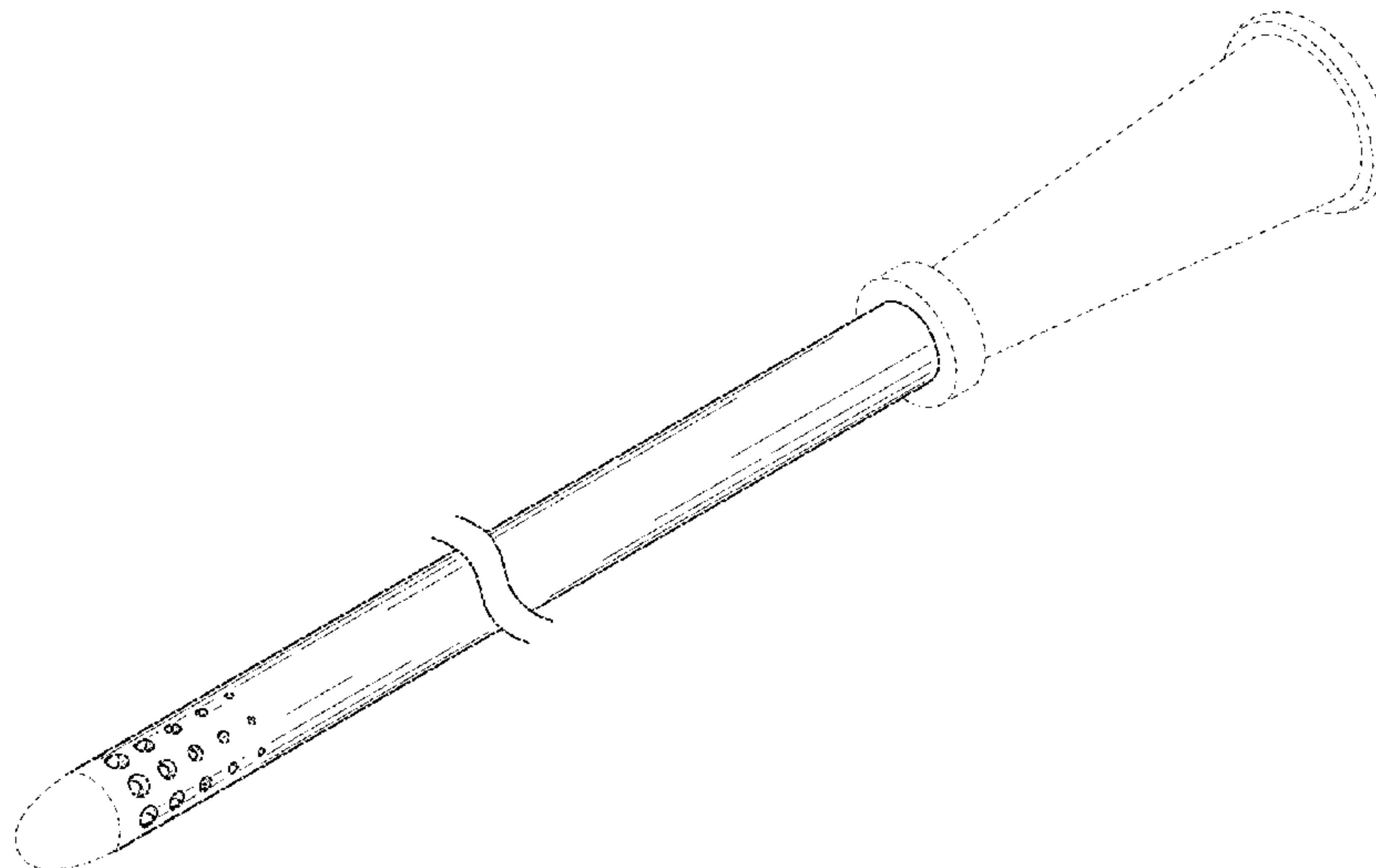
U.S. PATENT DOCUMENTS

3,459,188	A	8/1969	Roberts	
4,698,058	A	10/1987	Greenfeld et al.	
5,163,924	A	11/1992	Beverly	
5,853,518	A	12/1998	Utas	
5,924,206	A *	7/1999	Cote	A61B 17/3213 D24/146
5,980,483	A	11/1999	Dimitri	
D421,303	S *	2/2000	Cote	D24/133
D515,206	S *	2/2006	Tarumi	D24/114
D515,209	S *	2/2006	Tarumi	D24/114
D516,716	S *	3/2006	Weber	D24/114
7,789,873	B2	9/2010	Kubalak et al.	
D705,925	S *	5/2014	Murray	D24/112

FIG. 1 is a front perspective view of a urinary catheter; FIG. 2 is a front elevational view thereof. FIG. 3 is a rear elevational view thereof. FIG. 4 is a right-side elevational view thereof. FIG. 5 is a left-side elevational view thereof. FIG. 6 is a top plan view thereof. FIG. 7 is a bottom plan view of the thereof; and, FIG. 8 is a rear perspective view of thereof. The broken lines in the drawings illustrate portions of the urinary catheter and form no part of the claimed design. The break lines in FIGS. 1-8 indicate that the appearance of any portion of the urinary catheter between the break lines forms no part of the claimed design.

(Continued)

**1 Claim, 4 Drawing Sheets**



(56)

**References Cited**

U.S. PATENT DOCUMENTS

10,149,961 B2 12/2018 Carleo  
 D846,736 S \* 4/2019 Naughton ..... D24/130  
 D864,381 S \* 10/2019 Miles ..... D24/112  
 10,549,068 B2 2/2020 Shevgoor et al.  
 D902,387 S \* 11/2020 Oellgaard ..... D24/112  
 D910,836 S \* 2/2021 Sandberg ..... D24/112  
 D918,382 S \* 5/2021 Naughton ..... D24/112  
 D956,222 S \* 6/2022 Vaughan ..... D24/133  
 11,376,395 B2 \* 7/2022 Montes de Oca .....  
 A61M 25/0111  
 2008/0262369 A1 10/2008 Colman et al.  
 2012/0239004 A1 9/2012 Wong  
 2015/0352321 A1 \* 12/2015 Hannon ..... A61M 25/0111  
 604/544  
 2017/0007800 A1 1/2017 Chao et al.  
 2017/0296221 A1 10/2017 Di Caprio et al.  
 2018/0001055 A1 1/2018 Utas et al.  
 2019/0262579 A1 8/2019 Lovmar

2020/0061335 A1 2/2020 Guldager et al.  
 2020/0391005 A1 \* 12/2020 Murray ..... A61M 25/0113  
 2021/0370018 A1 \* 12/2021 Murray ..... B65D 75/305

FOREIGN PATENT DOCUMENTS

CN 107670160 A 2/2018  
 FR 2240026 A1 3/1975  
 WO 2020103996 A1 5/2020  
 WO 2020160738 A1 8/2020

OTHER PUBLICATIONS

Cure Twist Female 6 Inches Intermittent Catheter—12 Fr, Riteway Medical, [Post date unknown], [Site seen Jul. 7, 2022], Seen at URL: <https://ritewaymed.com/product/cure-twist-female-6-inches-intermittent-catheter-12-fr/> (Year: 2022).  
 Kennelly et al., “Adult Neurogenic Lower Urinary Tract Dysfunction and Intermittent Catheterisation in a Community Setting: Risk Factors Model for Urinary Tract Infections,” Apr. 2, 2019, *Advances in Urology*, vol. 2019.

\* cited by examiner

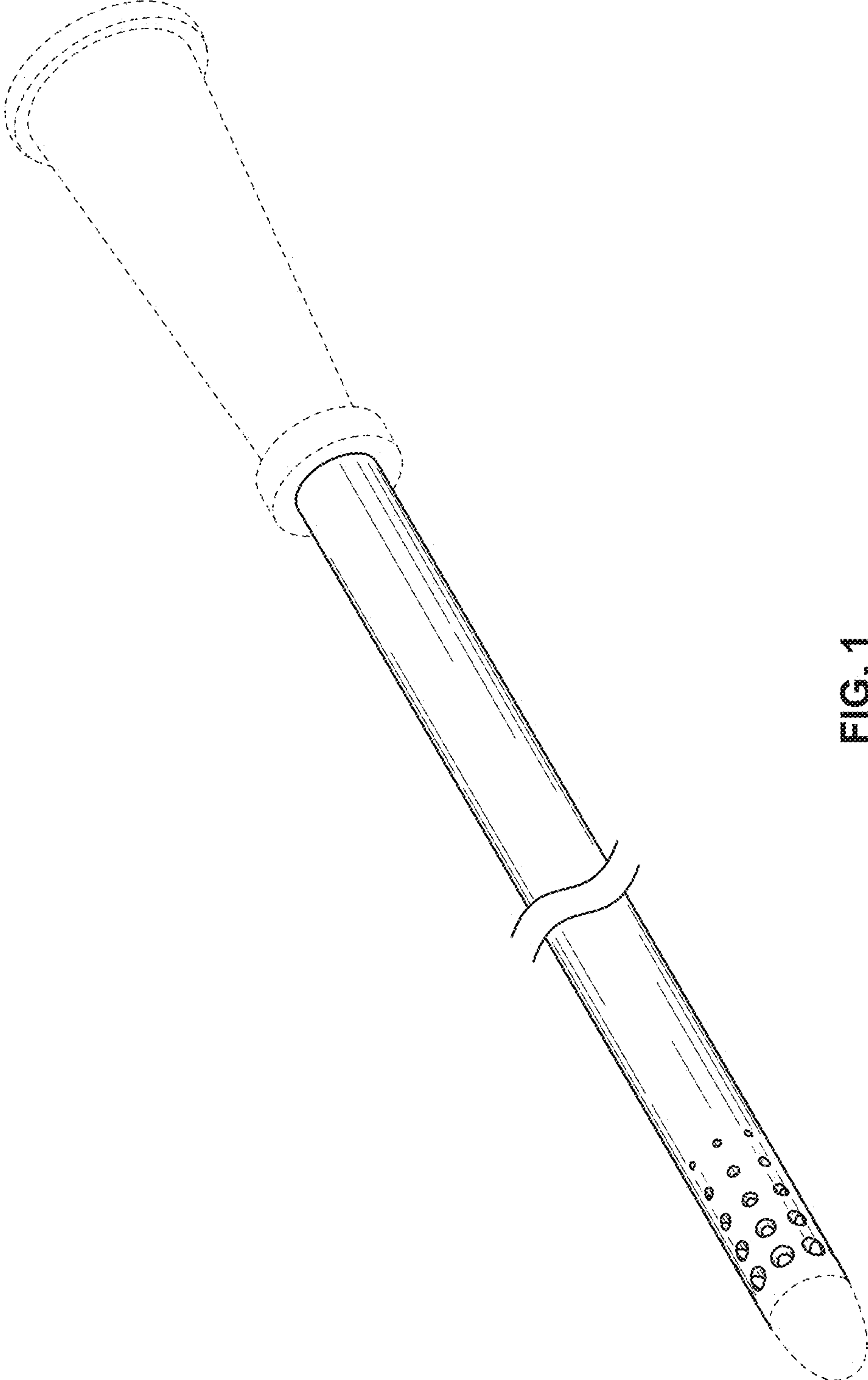


FIG. 1

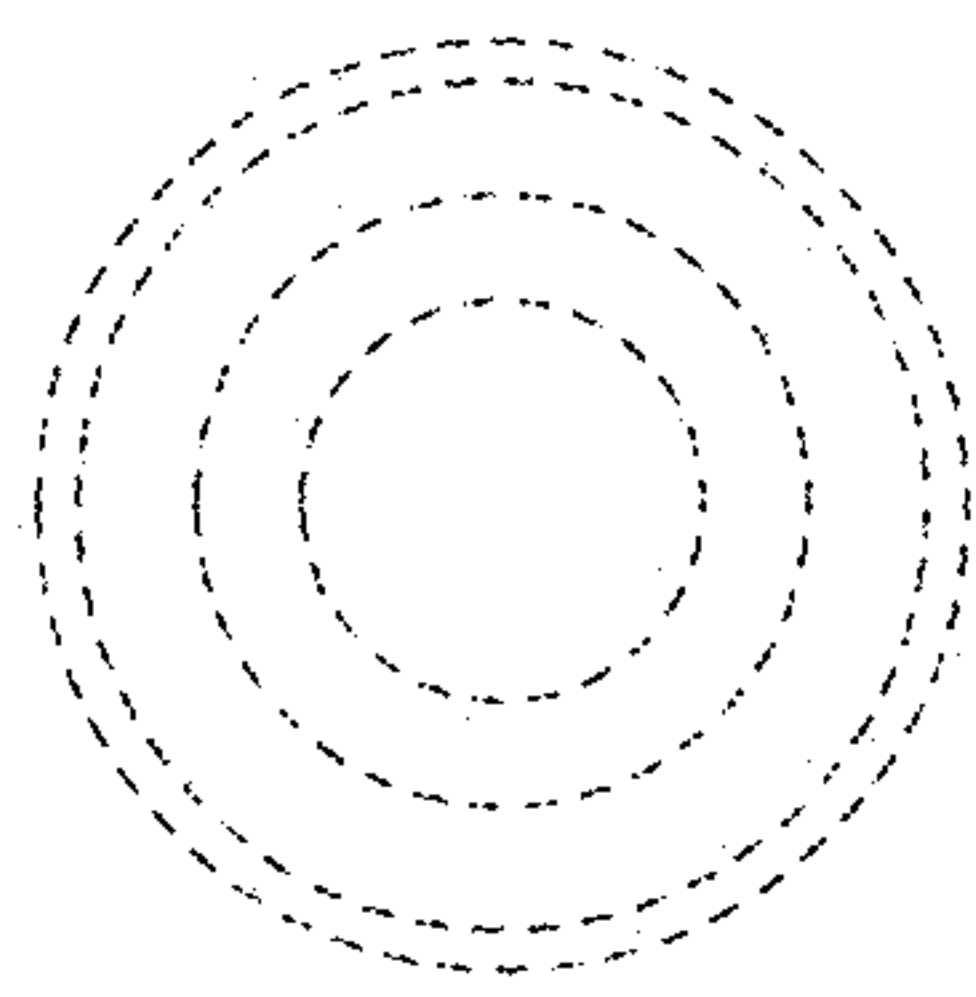


FIG. 2

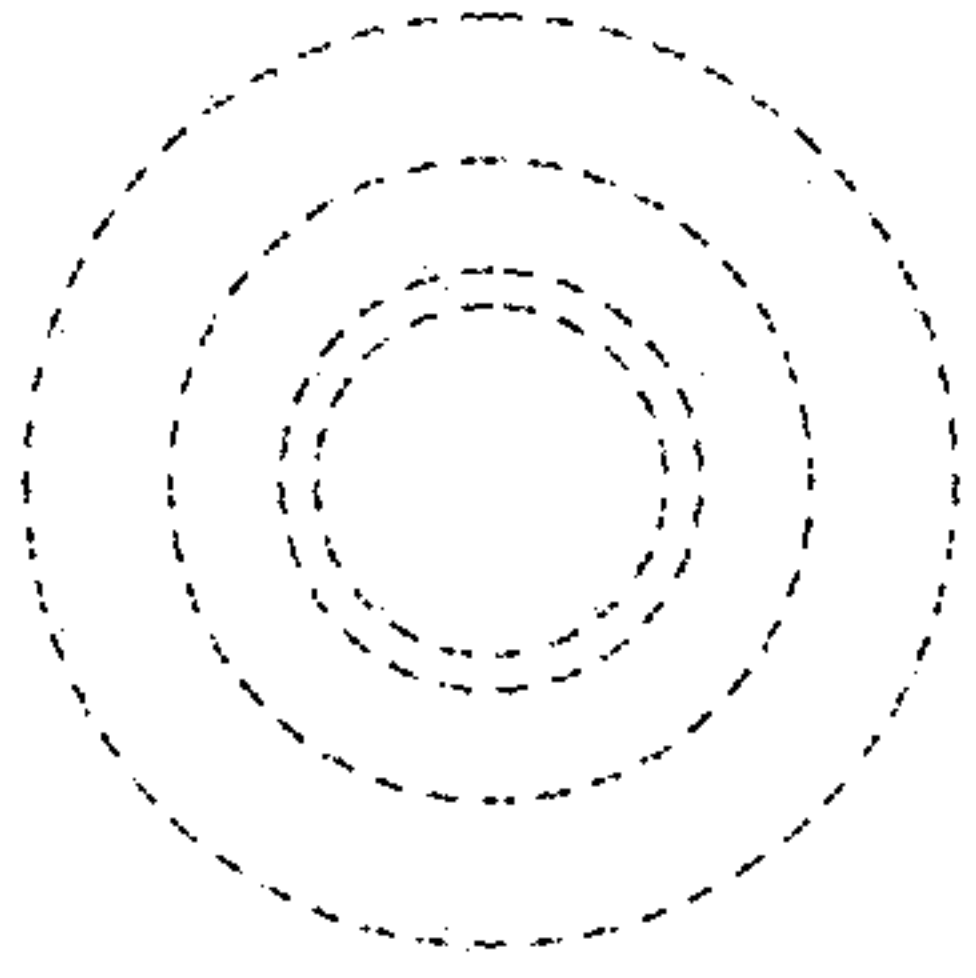


FIG. 3

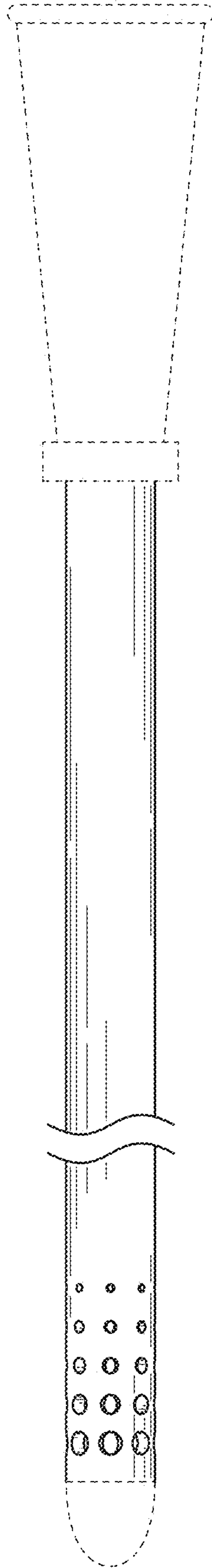


FIG. 4

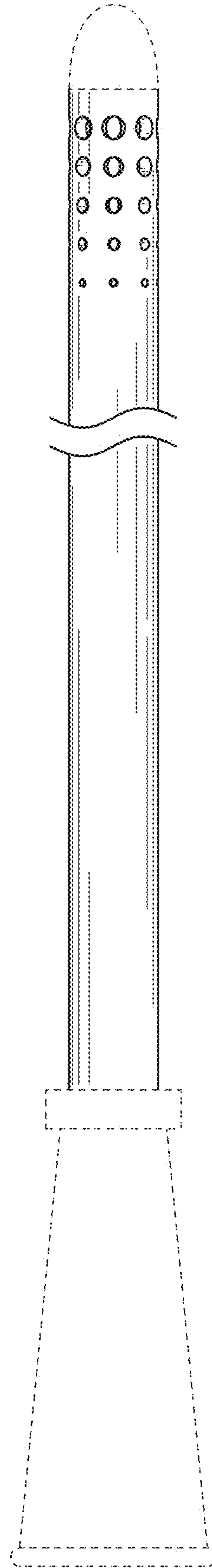


FIG. 5

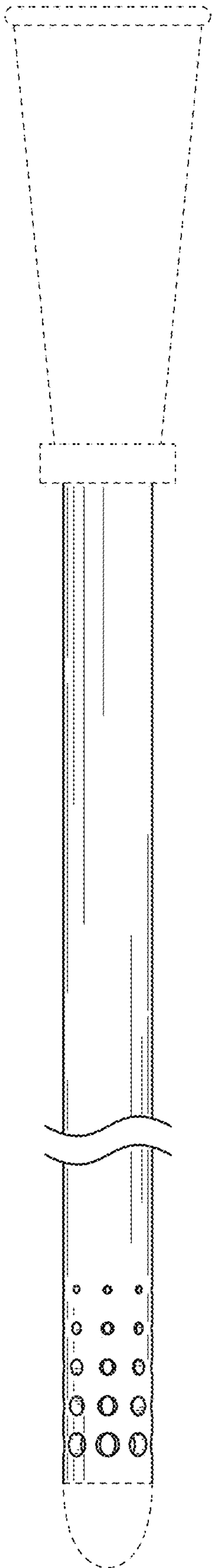


FIG. 6

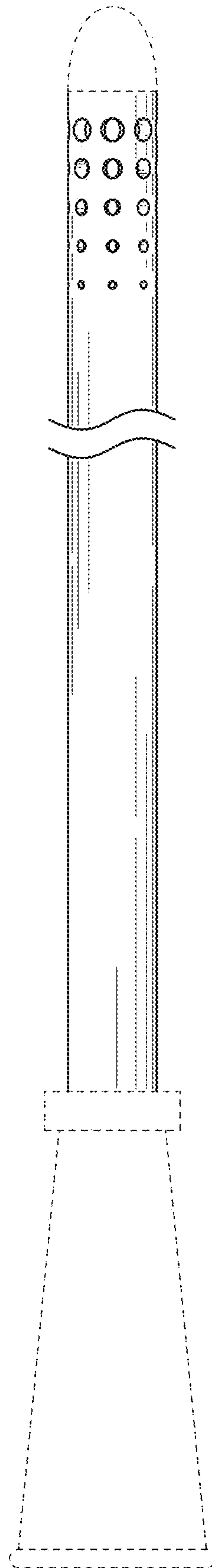


FIG. 7



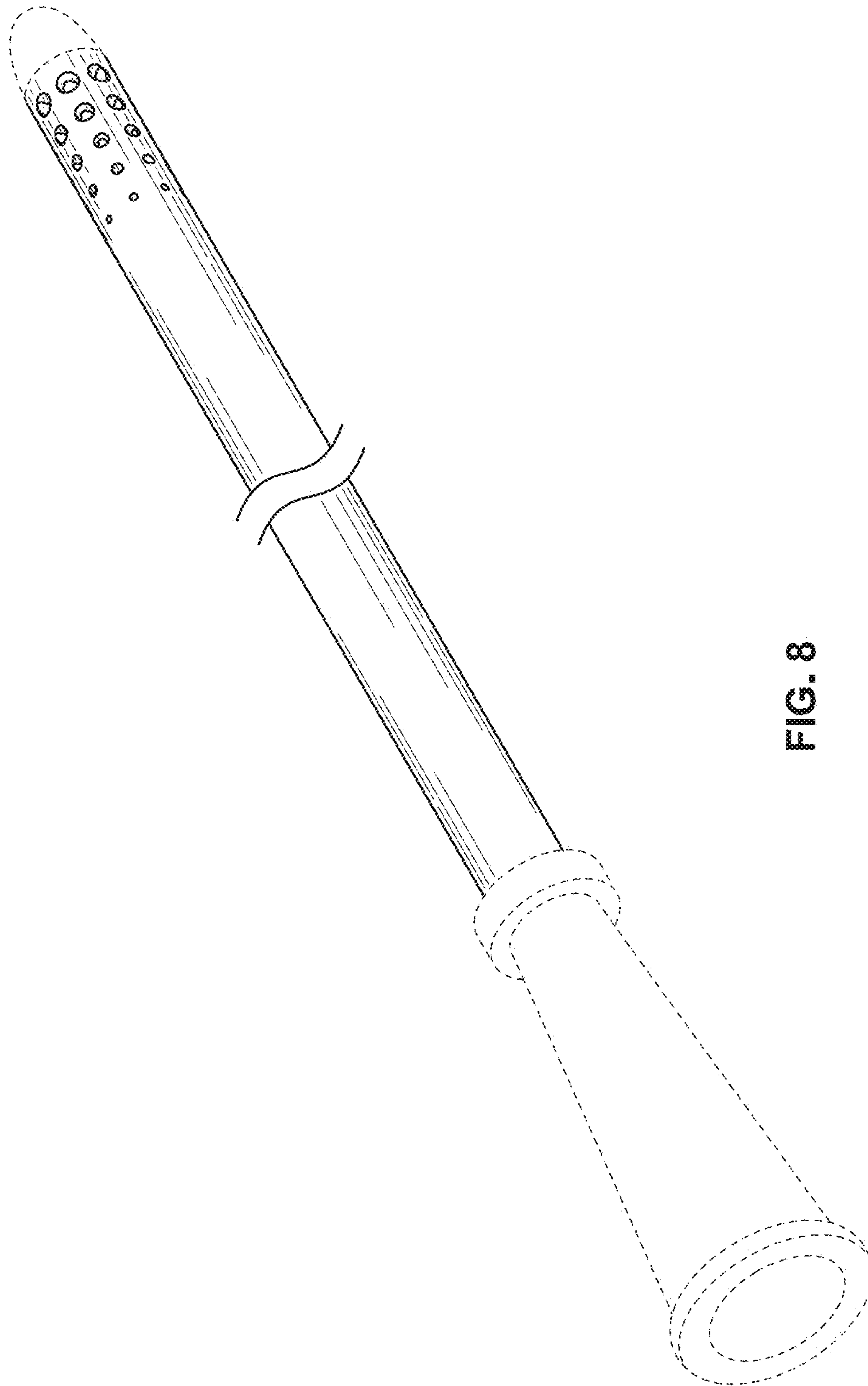


FIG. 8