



US00D967402S

(12) **United States Design Patent**
Hirvilammi

(10) **Patent No.:** **US D967,402 S**
(45) **Date of Patent:** **** Oct. 18, 2022**

(54) **BLOOD COLLECTING DEVICE**
(71) Applicant: **Aidian Oy**, Espoo (FI)
(72) Inventor: **Tommi Hirvilammi**, Espoo (FI)
(73) Assignee: **Aidian Oy**, Espoo (FI)
(**) Term: **15 Years**
(21) Appl. No.: **29/712,447**
(22) Filed: **Nov. 8, 2019**

7,955,347 B2 * 6/2011 Stout A61B 5/15144
606/181
8,162,854 B2 * 4/2012 Calasso A61B 5/150503
600/584
8,506,587 B2 * 8/2013 Nagao A61B 5/1519
606/181
8,821,525 B2 * 9/2014 Pusey A61B 17/32093
600/573
9,345,866 B2 * 5/2016 Kubo A61M 5/3158
D790,693 S * 6/2017 Mercer D24/133
9,943,646 B2 * 4/2018 Holland A61M 5/31511
D891,611 S * 7/2020 Valentin D24/114
11,123,494 B2 * 9/2021 Kwolek A61M 5/31571
11,202,869 B2 * 12/2021 Wang A61B 5/150259

* cited by examiner

(30) **Foreign Application Priority Data**

Jun. 5, 2019 (EM) 006567095

(51) **LOC (13) Cl.** **24-02**

(52) **U.S. Cl.**
USPC **D24/112**

(58) **Field of Classification Search**
USPC D24/112–114, 108, 133, 130, 127, 186;
606/181, 185; 604/264, 272, 187, 181,
604/184, 227
CPC A61M 5/178; A61M 3/00; A61M 5/20;
A61M 5/31; A61M 5/3146; A61M
5/3129; A61M 5/3148; A61M 5/315
See application file for complete search history.

(56) **References Cited**

U.S. PATENT DOCUMENTS

D249,808 S * 10/1978 Bloom 604/227
D459,806 S * 7/2002 Webb D24/150
7,488,297 B2 * 2/2009 Flaherty A61B 5/150236
600/580

Primary Examiner — David G Muller

(74) *Attorney, Agent, or Firm* — Laine IP Oy

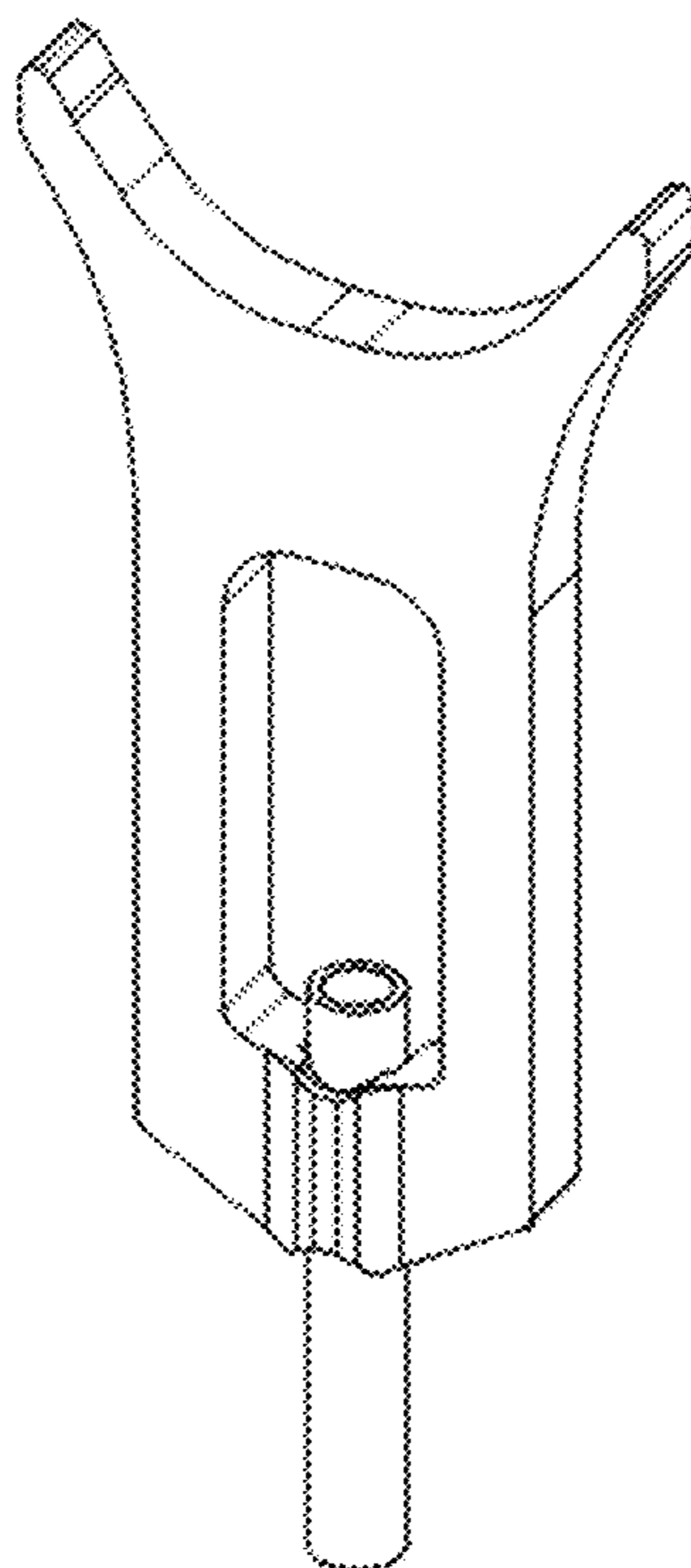
(57) **CLAIM**

The ornamental design for a blood collecting device, as shown and described.

DESCRIPTION

FIG. 1 is a perspective view of a blood collecting device in accordance with the ornamental design;
FIG. 2 is a front view of the blood collecting device;
FIG. 3 is a back view of the blood collecting device;
FIG. 4 is a bottom view of the blood collecting device;
FIG. 5 is a top elevational view of the blood collecting device;
FIG. 6 is a right side view of the blood collecting device; and,
FIG. 7 is a left side view of the blood collecting device.

1 Claim, 5 Drawing Sheets



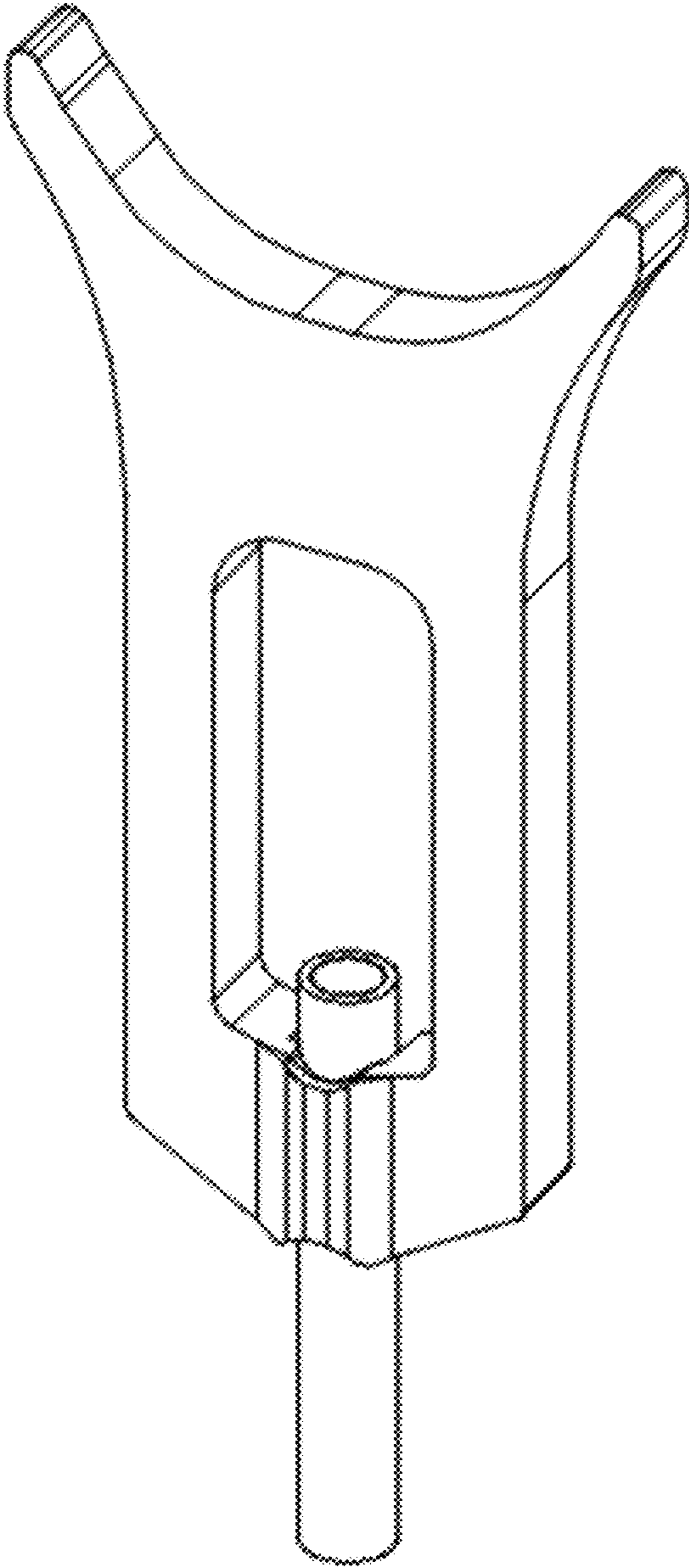


Fig. 1

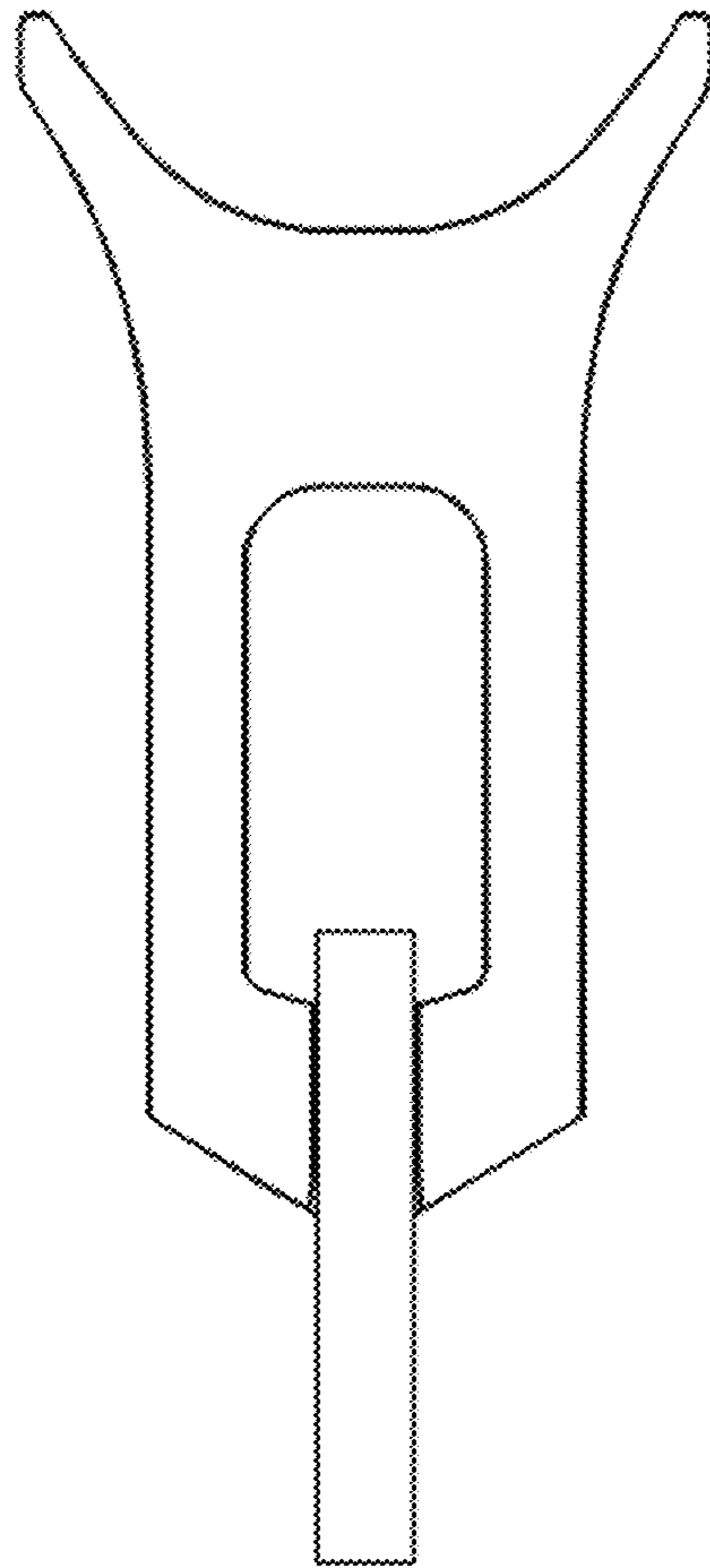


Fig. 2

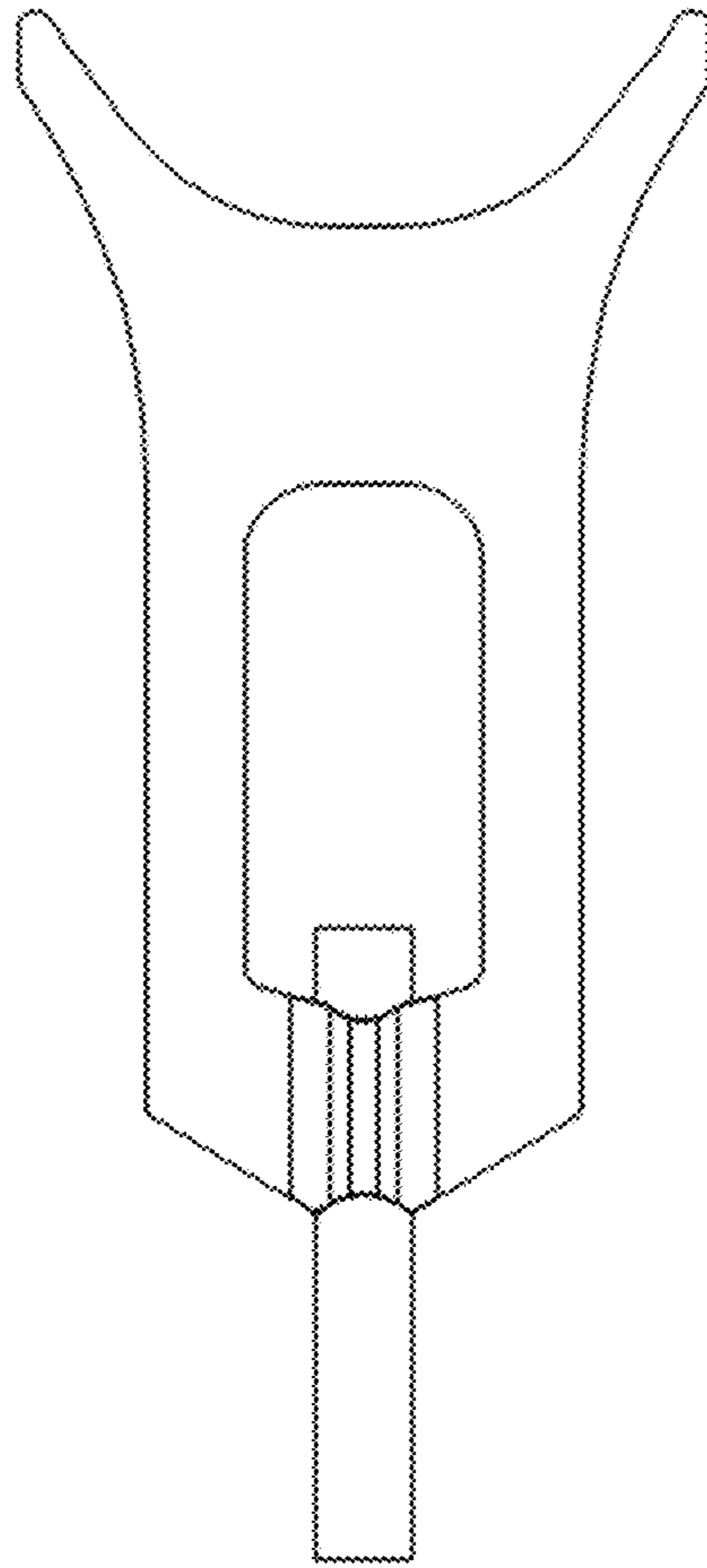


Fig. 3

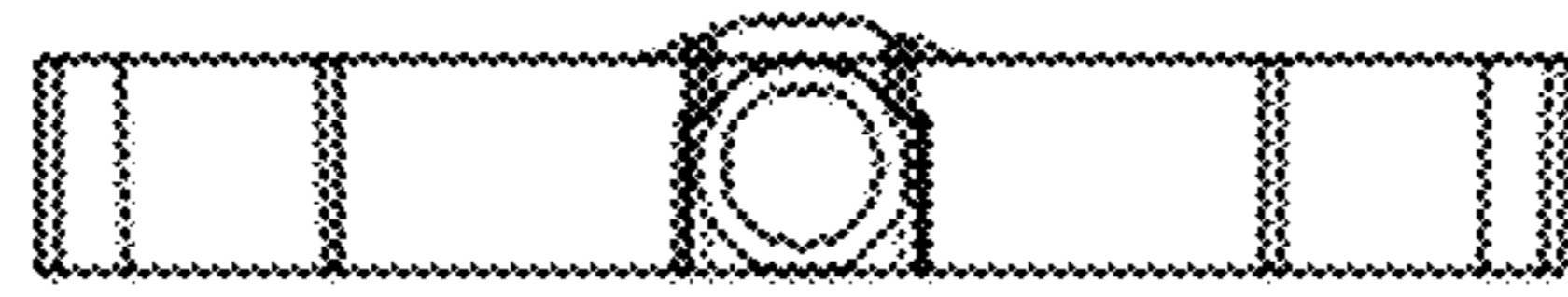


Fig. 4

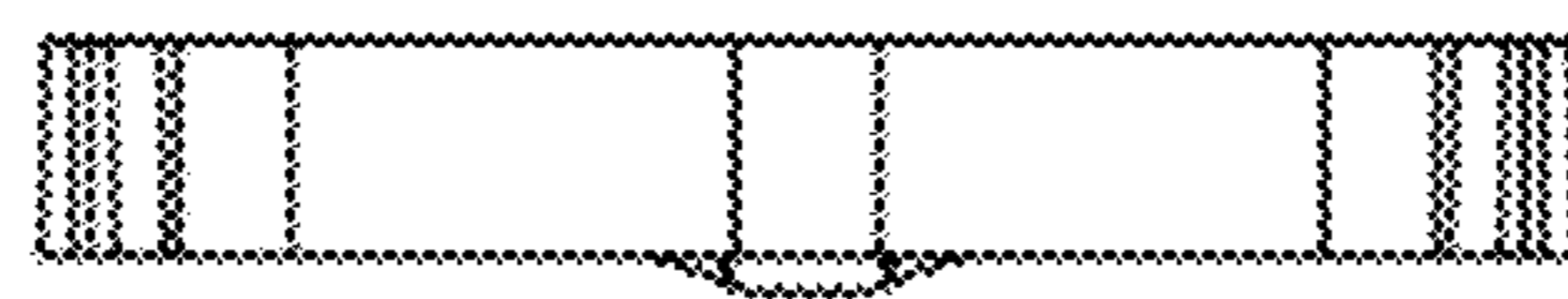


Fig. 5

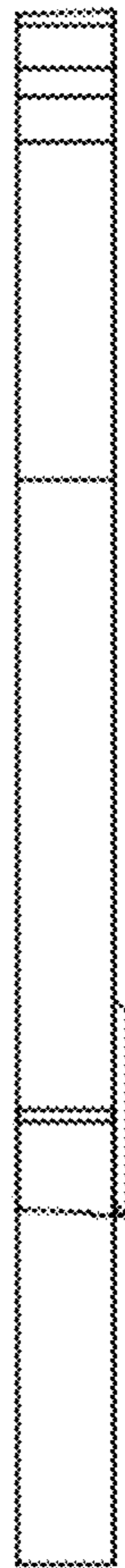


Fig. 6



Fig. 7