



US00D967400S

(12) **United States Design Patent** (10) **Patent No.:** **US D967,400 S**
Formica et al. (45) **Date of Patent:** **** Oct. 18, 2022**

(54) **POSITIVE AIRWAY PRESSURE DELIVERY CONSOLE**

(71) Applicant: **ResMed Pty Ltd**, Bella Vista (AU)

(72) Inventors: **Justin John Formica**, Sydney (AU);
Mark Bertinetti, Sydney (AU); **Henri Spaille**, Sydney (AU); **Justin Peter Wagemakers**, Sydney (AU)

(73) Assignee: **ResMed Pty Ltd**, Bella Vista (AU)

(**) Term: **15 Years**

(21) Appl. No.: **29/663,935**

(22) Filed: **Sep. 20, 2018**

Related U.S. Application Data

(62) Division of application No. 29/579,199, filed on Sep. 28, 2016, now Pat. No. Des. 832,996, which is a division of application No. 29/515,282, filed on Jan. 21, 2015, now Pat. No. Des. 771,799, which is a division of application No. 29/456,458, filed on May 31, 2013, now Pat. No. Des. 738,488.

(51) **LOC (13) Cl.** **29-02**
(52) **U.S. Cl.**
USPC **D24/110**

(58) **Field of Classification Search**
USPC D24/110, 107–108, 111–114, 127, 162,
D24/164, 185–186; D23/356, 358;
(Continued)

(56) **References Cited**

U.S. PATENT DOCUMENTS

2,073,335 A 3/1937 Karl
2,516,864 A 8/1950 Gilmore
(Continued)

OTHER PUBLICATIONS

Resmed, How humidification makes CPAP therapy more comfortable- Aug. 11, 2014, www.youtube.com, https://www.youtube.com/watch?v=RzCskdfN46k, 1 page, retrieved Jun. 4, 2022 (Year: 2014).*

(Continued)

Primary Examiner — Mary Shannon Malley

Assistant Examiner — Mark Booker

(74) *Attorney, Agent, or Firm* — Nixon & Vanderhye P.C.

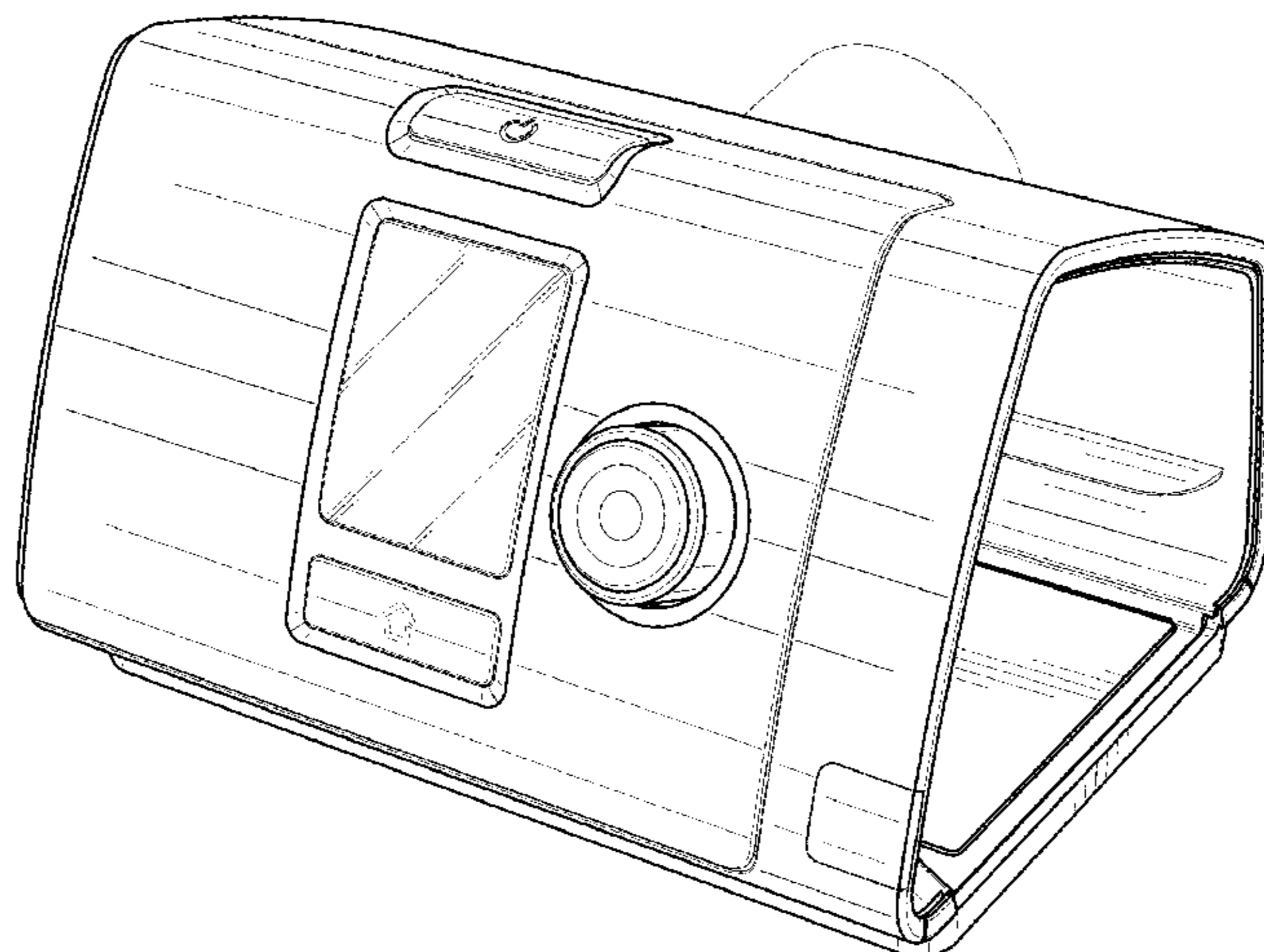
(57) **CLAIM**

The ornamental design for a positive airway pressure delivery console, as shown and described.

DESCRIPTION

FIG. 1 is a front perspective view of a positive airway pressure delivery console showing a first embodiment according to our new ornamental design;
FIG. 2 is front view thereof;
FIG. 3 is a rear view thereof;
FIG. 4 is a top view thereof;
FIG. 5 is a bottom view thereof;
FIG. 6 is a right side view thereof;
FIG. 7 is a left side view thereof;
FIG. 8 is another front perspective view thereof;
FIG. 9 is yet another front perspective view thereof on an enlarged scale;
FIG. 10 is a front perspective view of a positive airway pressure delivery console showing a second embodiment according to our new ornamental design;
FIG. 11 is front view thereof;
FIG. 12 is a rear view thereof;
FIG. 13 is a top view thereof;
FIG. 14 is a bottom view thereof;
FIG. 15 is a right side view thereof;
FIG. 16 is a left side view thereof;
FIG. 17 is another front perspective view thereof; and,
FIG. 18 is yet another front perspective view thereof on an enlarged scale.
The broken lines represent environment or structure and do not form a portion of the claimed design.

1 Claim, 12 Drawing Sheets



US D967,400 S

(58) **Field of Classification Search**

USPC 128/200.16, 200.18, 200.23, 200.24,
 128/200.22, 202.27, 203.16, 203.17,
 128/203.27, 204.14, 204.18, 204.23,
 128/205.24, 204.21; 137/102, 512
 CPC B01D 24/00; B01D 53/22; B01D 53/30;
 A61M 16/00; A61M 16/0051; A61M
 16/0057; A61M 16/16; A61M 2205/50;
 A61M 2205/502; A61M 2205/52; A61M
 2205/6063; A61M 15/0085; A61M
 11/005; A61M 16/0063; A61M 15/002;
 A61M 16/0003; A61M 16/1045; A61M
 16/161; A61M 16/109; A61M 16/0066;
 A61M 16/1075; A61M 16/0816; A61M
 2205/04; A62B 9/003; B29L 2031/753;
 A61B 5/097; A61B 5/0836

See application file for complete search history.

D736,371 S	8/2015	Row	
D736,818 S	8/2015	Trabona	
D738,488 S	9/2015	Formica et al.	
D738,489 S	9/2015	Formica	
D738,894 S	9/2015	Kim	
D739,864 S	9/2015	Kang	
D741,477 S	10/2015	Rogers	
D741,894 S	10/2015	Drozd	
D741,912 S	10/2015	Gomez	
D742,508 S	11/2015	Row	
D743,556 S	11/2015	Bath	
D743,976 S	11/2015	Wilberding	
D744,108 S	* 11/2015	Verma	D24/164
D744,501 S	12/2015	Wilberding	
D744,520 S	12/2015	McLaughlin	
D745,016 S	12/2015	Lee	
D745,528 S	12/2015	Lee	
D745,542 S	12/2015	Kim	
D745,880 S	12/2015	Lima	
D745,883 S	12/2015	Anderson	
D746,294 S	12/2015	Jung	
D746,311 S	12/2015	Ta	
D746,320 S	12/2015	Shardlow	
D746,831 S	1/2016	Chaudhri	
D746,850 S	1/2016	Steplyk	
D746,855 S	1/2016	Choi	
D746,858 S	1/2016	Vogt	
D746,864 S	1/2016	Dellinger	
D752,203 S	* 3/2016	Sung	D24/108
D759,234 S	6/2016	Bertinetti	
D760,258 S	6/2016	Bertinetti	
D771,799 S	11/2016	Formica et al.	
D775,346 S	12/2016	Bath	
D776,256 S	1/2017	Formica	
D798,428 S	* 9/2017	Cork	D23/360
D809,124 S	* 1/2018	Bertinetti	D24/110
D832,996 S	* 11/2018	Formica	D24/110
D865,156 S	* 10/2019	Formica	D24/108
D889,659 S	* 7/2020	Bath	D24/164
D892,303 S	* 8/2020	Formica	D24/110
2007/0277828 A1	12/2007	Ho	
2009/0025724 A1	1/2009	Herron, Jr.	
2010/0307502 A1	12/2010	Rummery	
2011/0023874 A1	2/2011	Bath	
2012/0227738 A1	9/2012	Virr	
2014/0202460 A1*	7/2014	Bath	A61M 16/161 128/202.22
2014/0208241 A1	7/2014	Charles	
2014/0216459 A1	8/2014	Vos	
2015/0273167 A1	10/2015	Feldhahn	
2015/0277733 A1	10/2015	Schwaibold	
2015/0283350 A1	10/2015	Miller	
2015/0306326 A1	10/2015	Graham	
2015/0306332 A1	10/2015	Bafile	

(56) **References Cited**

U.S. PATENT DOCUMENTS

2,524,522 A	10/1950	Gilmore	
2,954,802 A	10/1960	Duff	
3,163,707 A	12/1964	Darling	
D217,550 S	5/1970	Campbell	
D302,040 S	7/1989	Lambert	
D360,027 S	7/1995	Psaros	
D439,326 S	3/2001	Hecker	
D473,941 S	4/2003	Cise	
D476,731 S	7/2003	Cise	
D486,909 S	2/2004	Cise	
6,722,904 B2	4/2004	Linhart	
7,226,302 B2	6/2007	Walter	
D560,795 S *	1/2008	Lithgow	D24/110
D570,473 S *	6/2008	Hamaguchi	D24/110
D614,286 S	4/2010	Lithgow	
D620,102 S *	7/2010	Klien	D24/110
D638,432 S	5/2011	Flik	
D644,731 S	9/2011	Fangrow, Jr.	
8,100,127 B2	1/2012	Worley	
D658,283 S *	4/2012	Burz	D24/110
D659,235 S *	5/2012	Bertinetti	D24/110
D665,412 S	8/2012	Rai	
D680,125 S	4/2013	Chaudhri	
D682,441 S	5/2013	Kim	
D695,388 S	12/2013	Lithgow	
D696,394 S *	12/2013	Lu	D24/110
D707,334 S	6/2014	Hernandez	
D708,316 S	7/2014	Bertinetti	
D708,733 S *	7/2014	Ng	D24/110
D710,989 S	8/2014	Bertinetti	
D716,419 S	10/2014	Hernandez	
8,905,031 B2	12/2014	Barlow	
D725,134 S	3/2015	Boettcher	
D729,936 S	5/2015	Reback	
D731,538 S	6/2015	Lee	
D733,733 S	7/2015	Bae	
D734,356 S	7/2015	Xiong	
D736,248 S	8/2015	Chen	

OTHER PUBLICATIONS

U.S. Office Action dated Jul. 5, 2016 issued in U.S. Appl. No. 29/502,152 (15 pages).
 Formica et al., U.S. Appl. No. 29/579,199, filed Sep. 28, 2016, for "Positive Airway Pressure Delivery Console," (parent application).

* cited by examiner

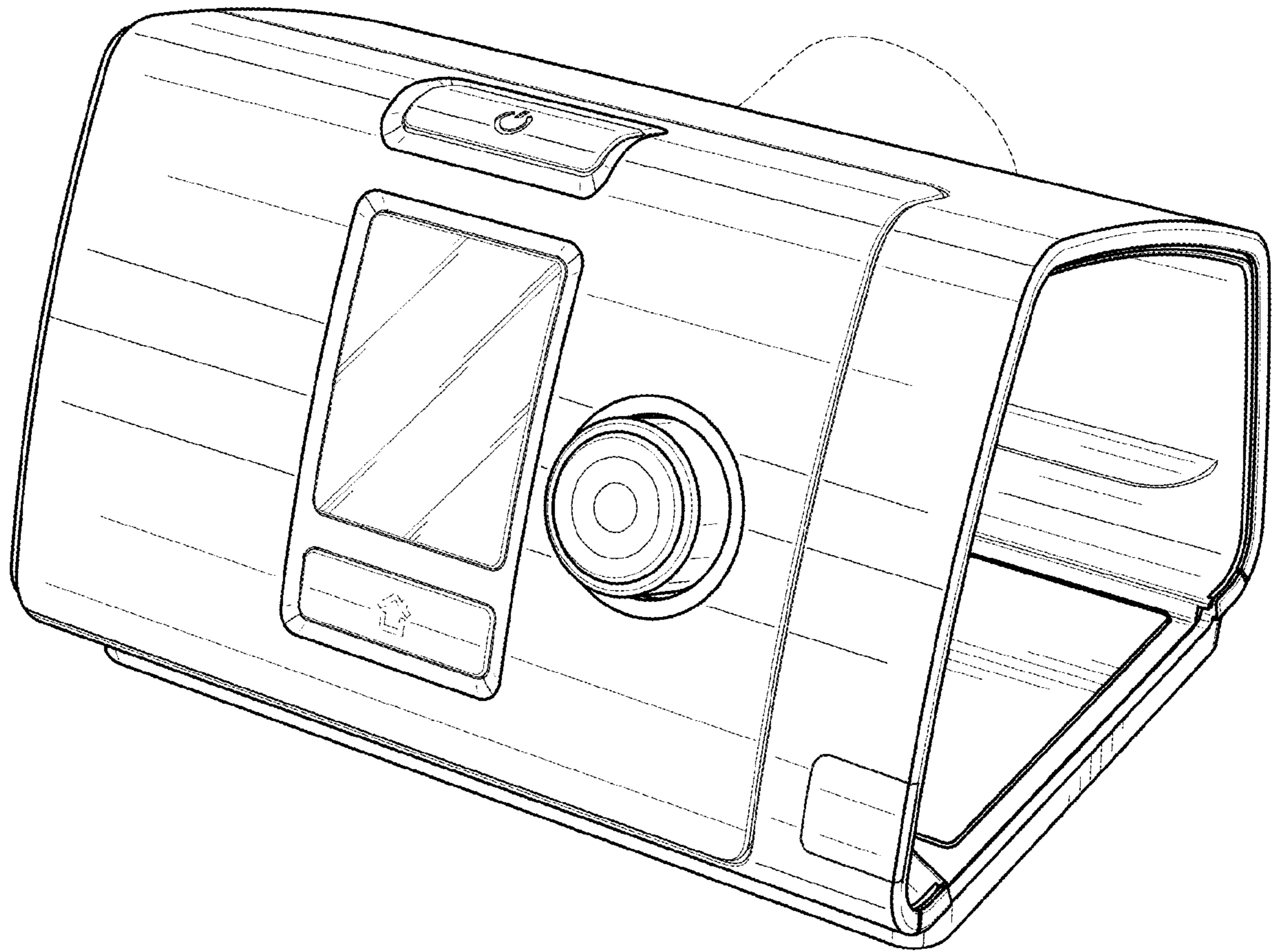


FIG. 1

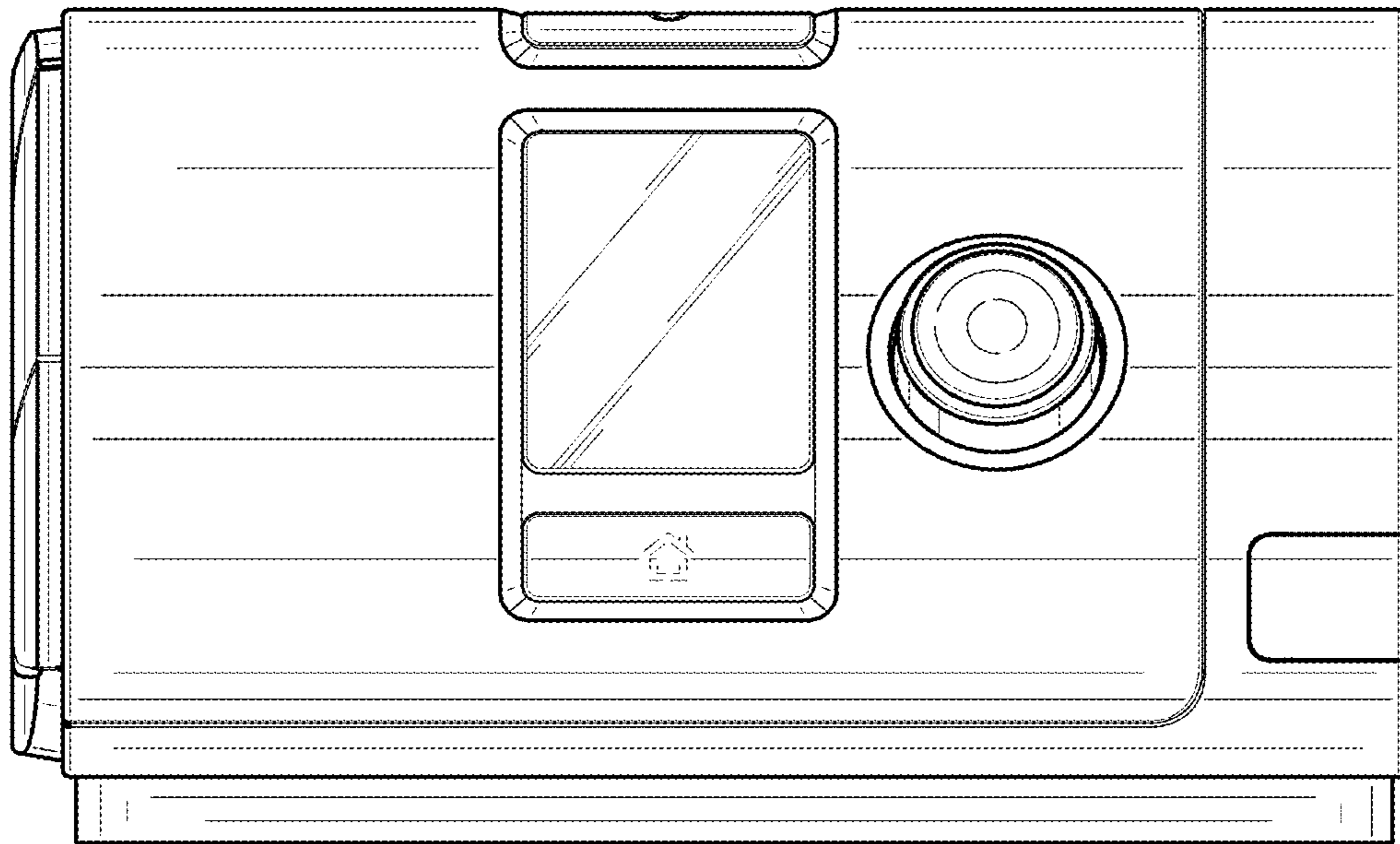


FIG. 2

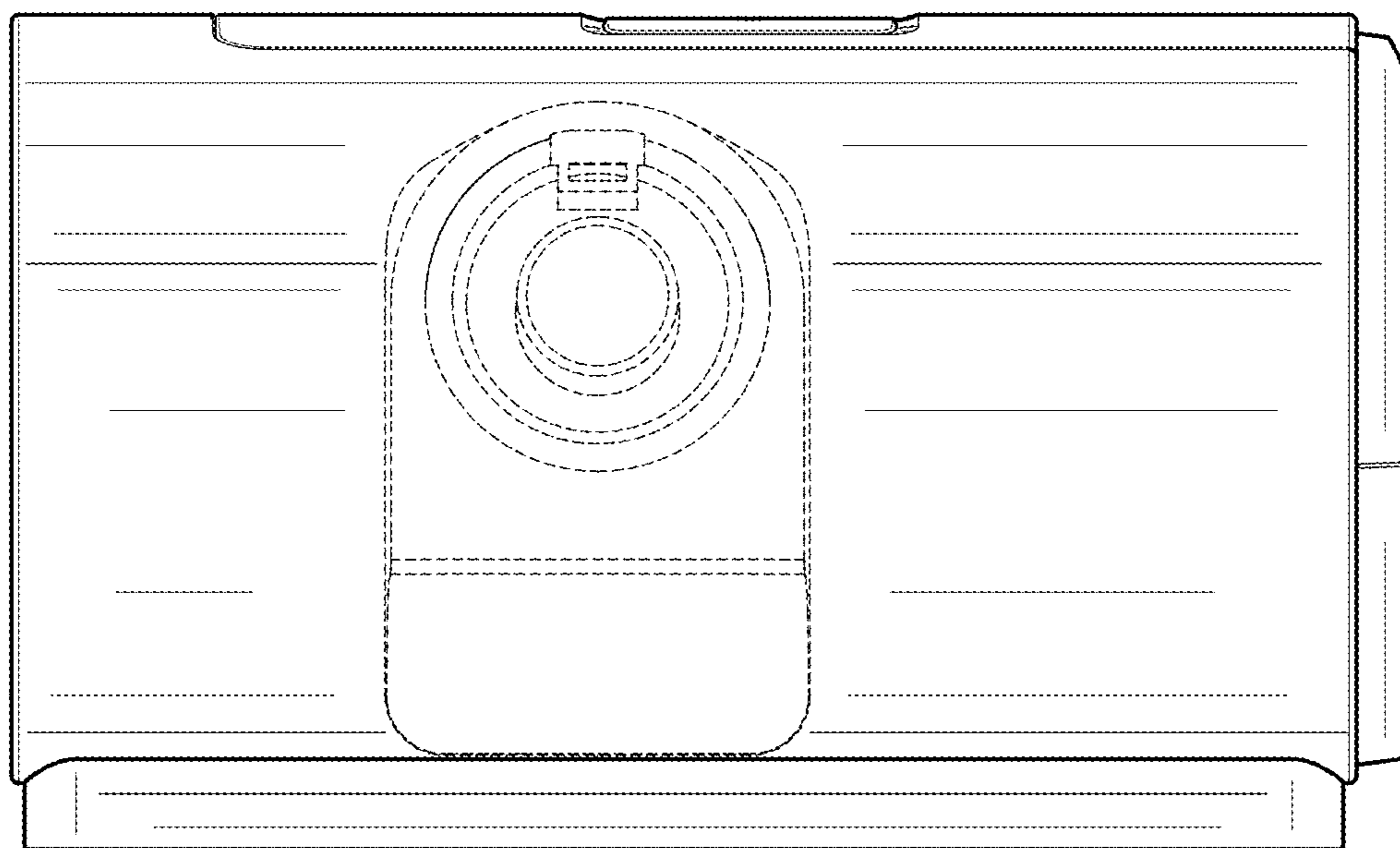


FIG. 3

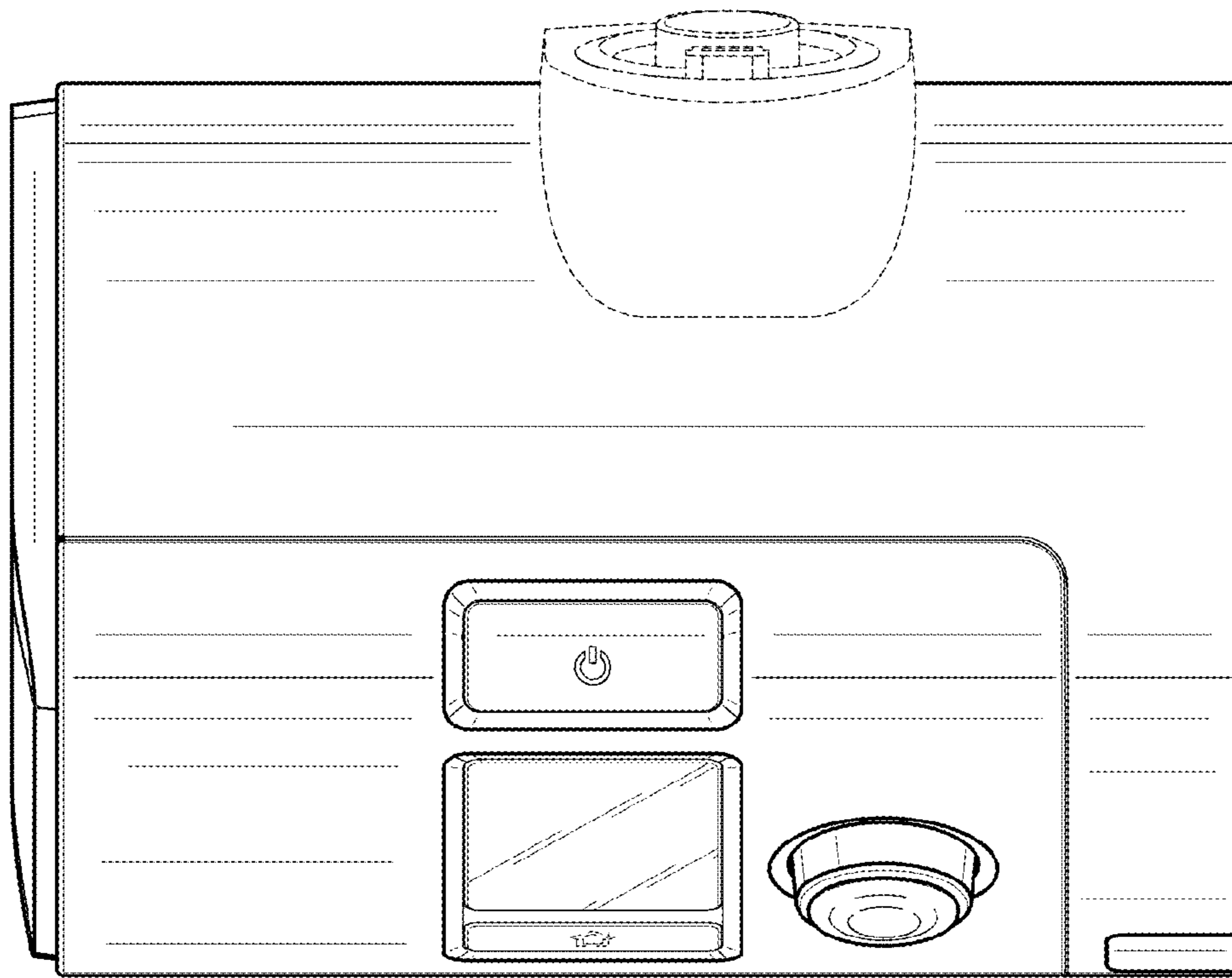


FIG. 4

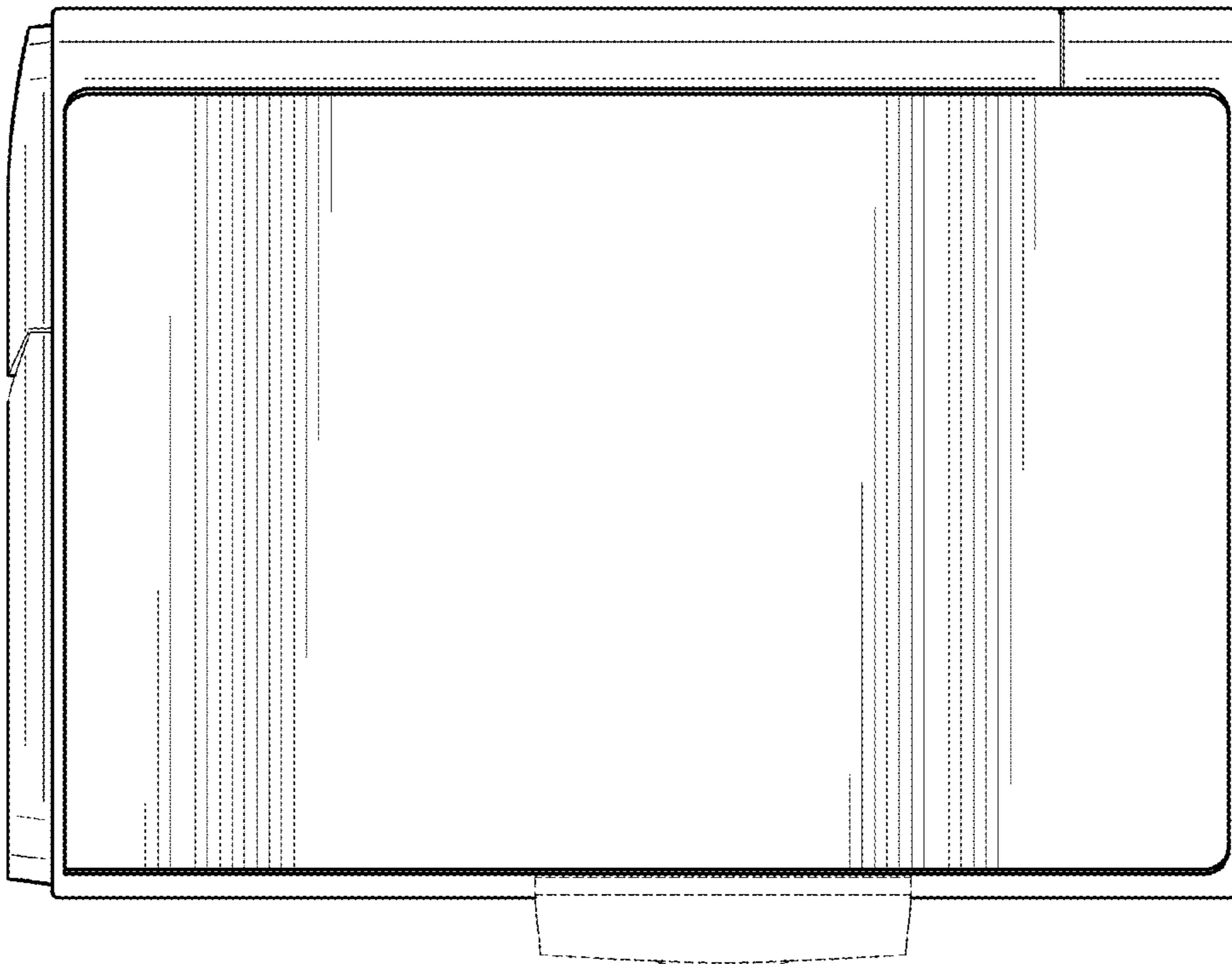


FIG. 5

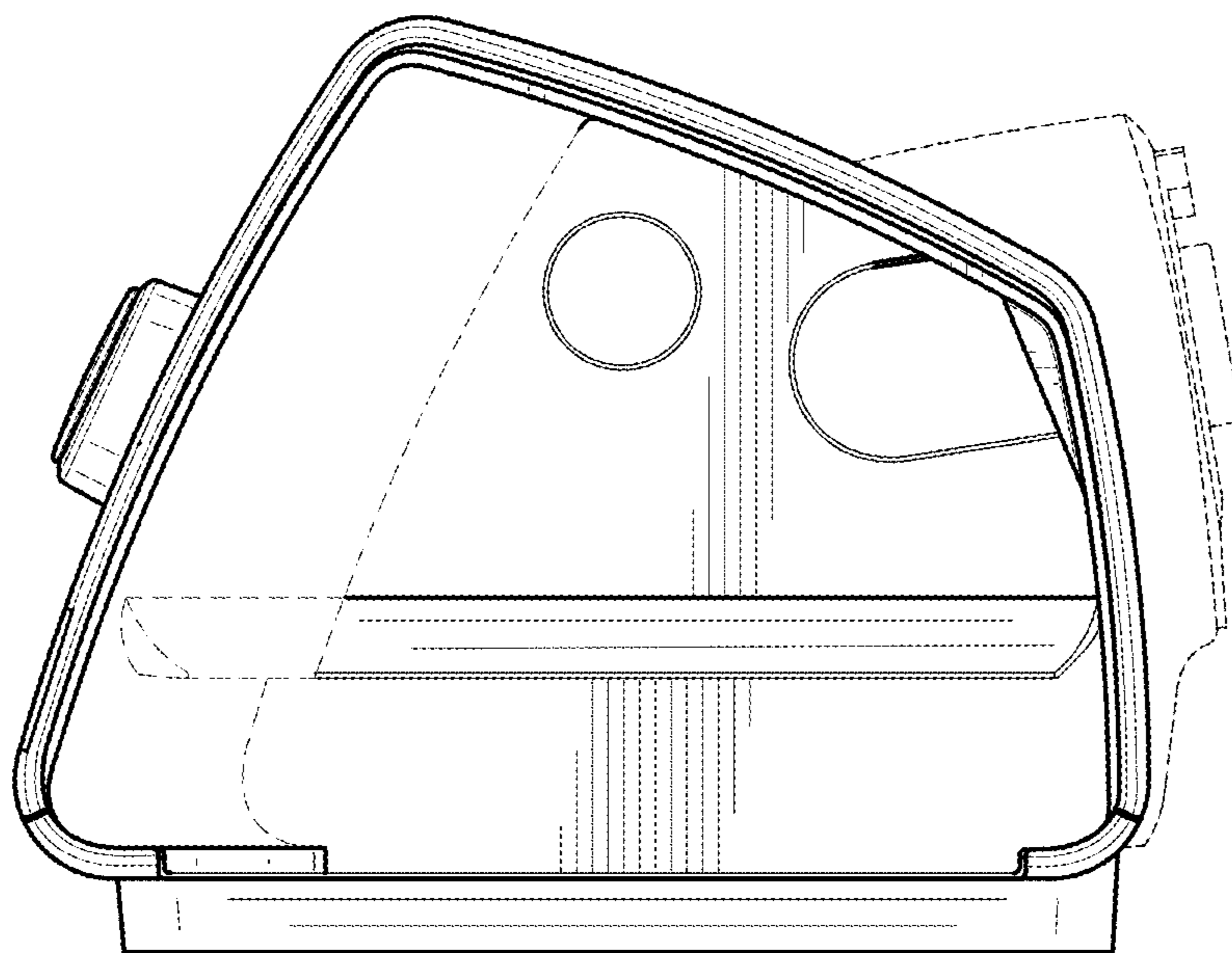


FIG. 6

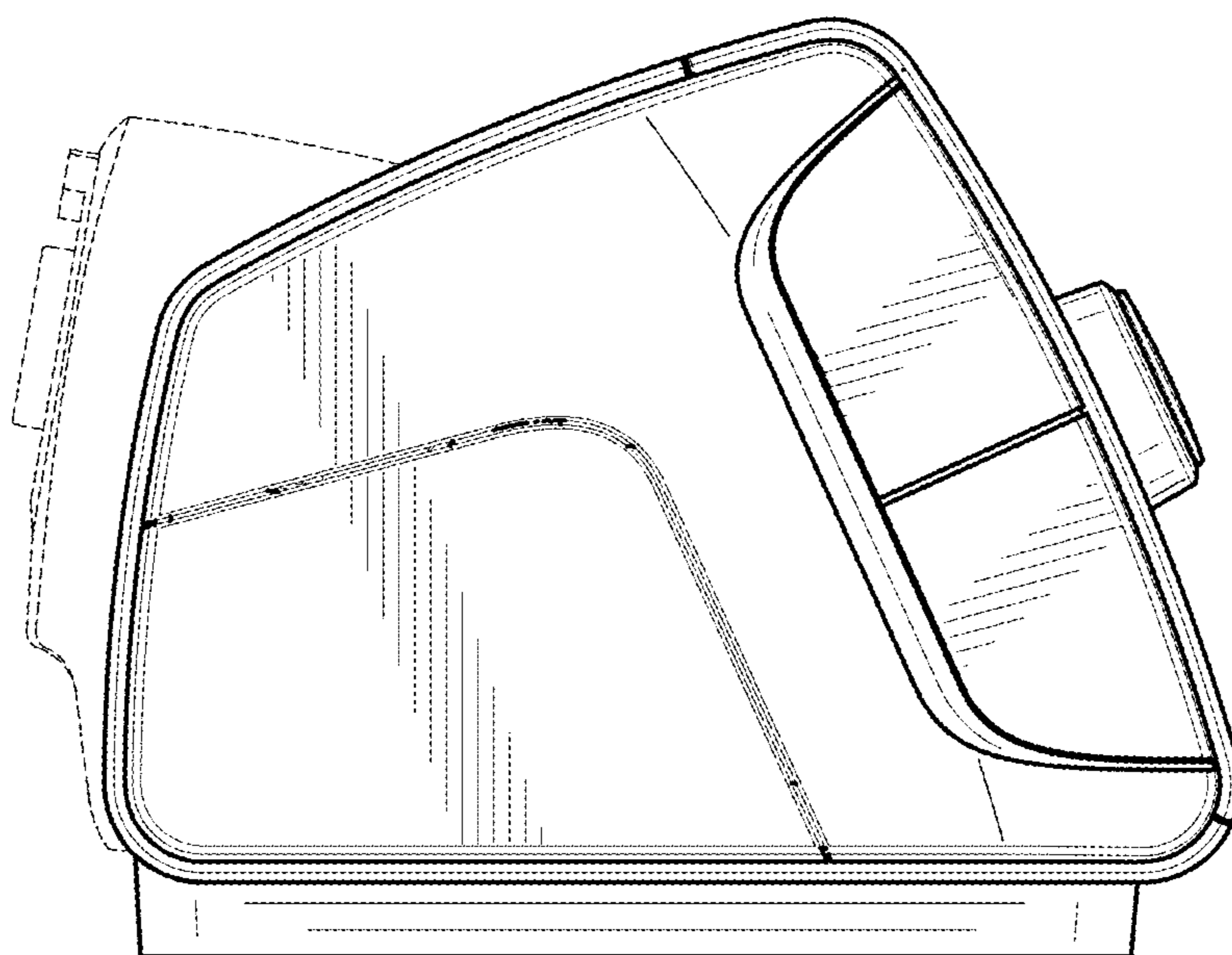


FIG. 7

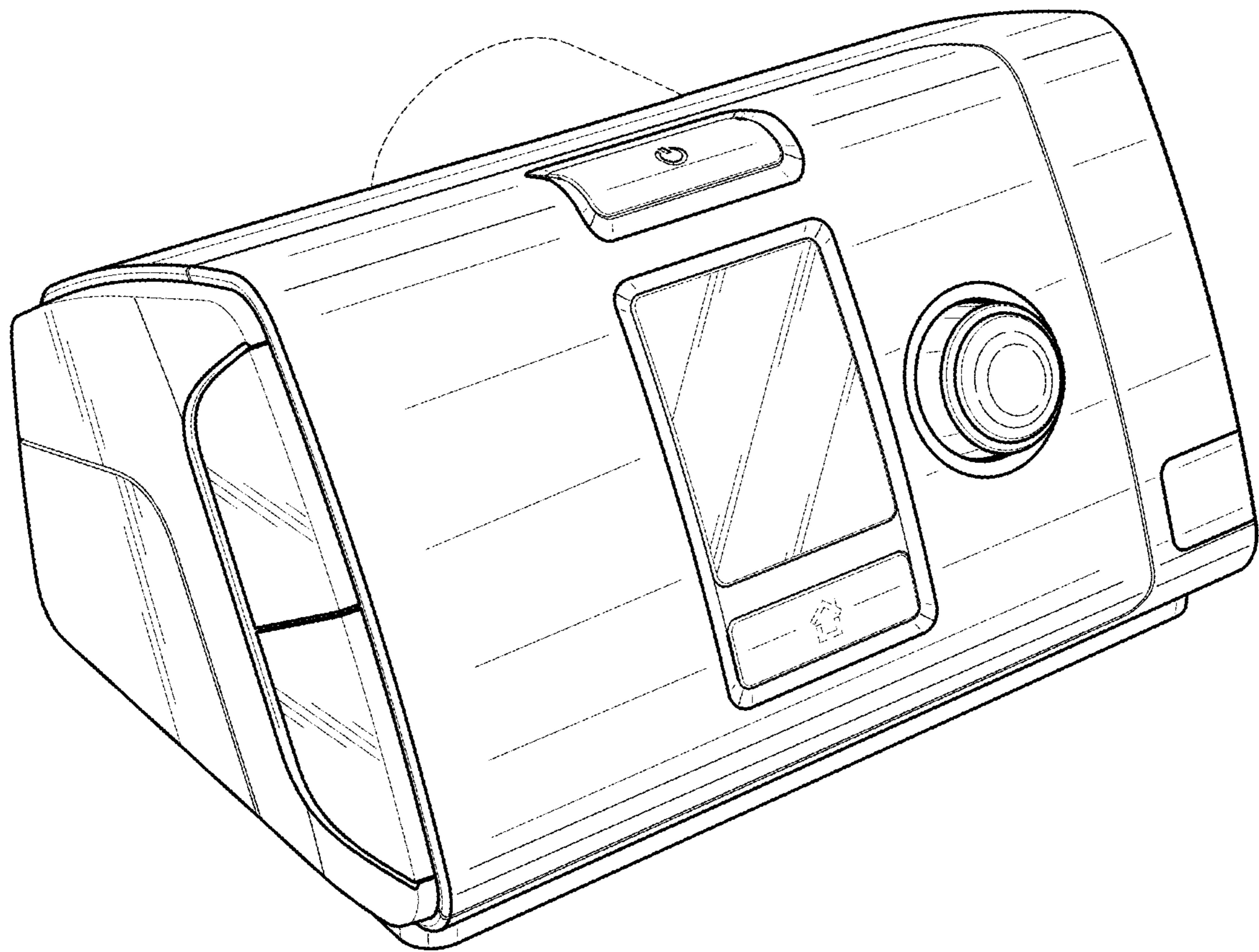


FIG. 8

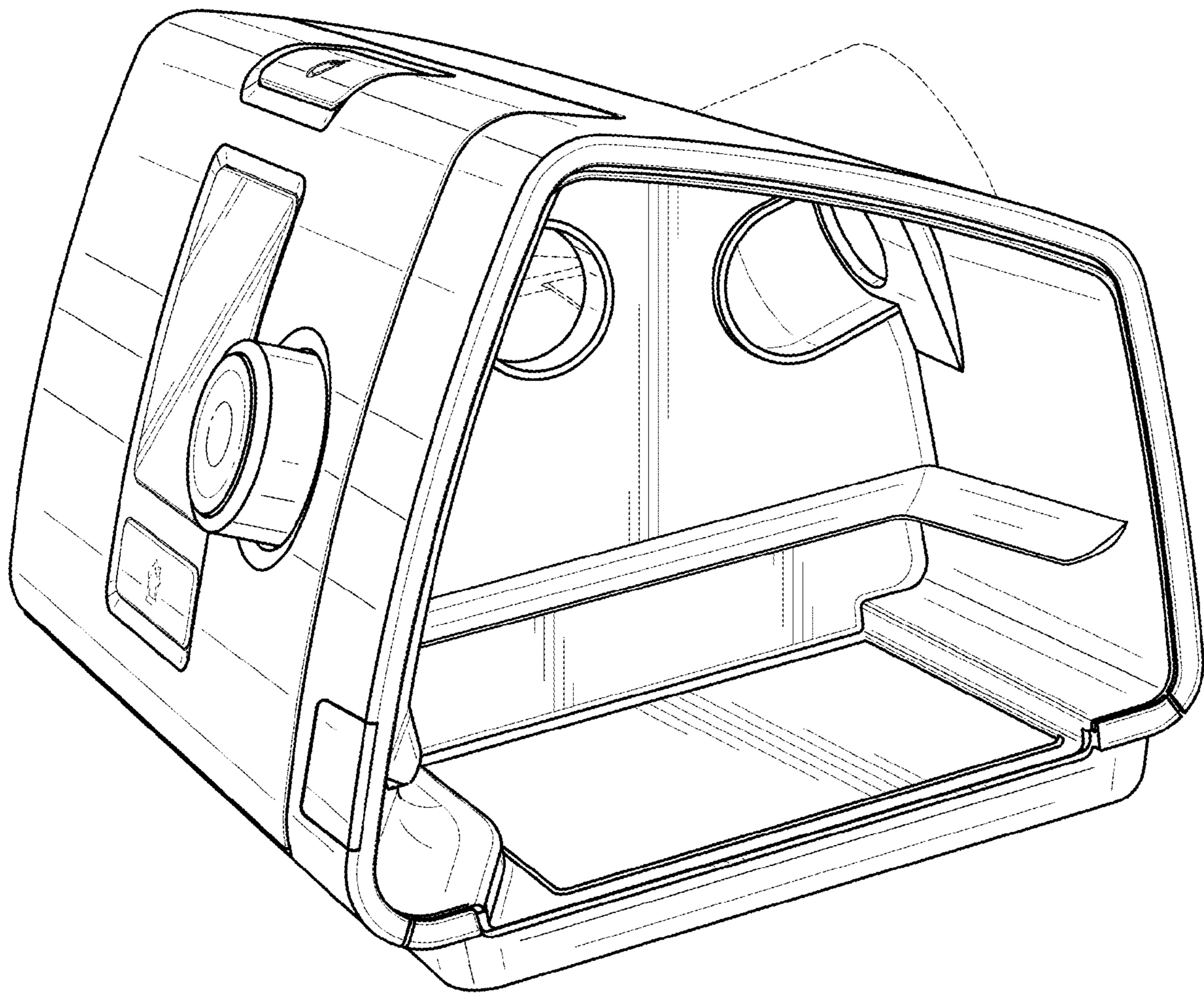


FIG. 9

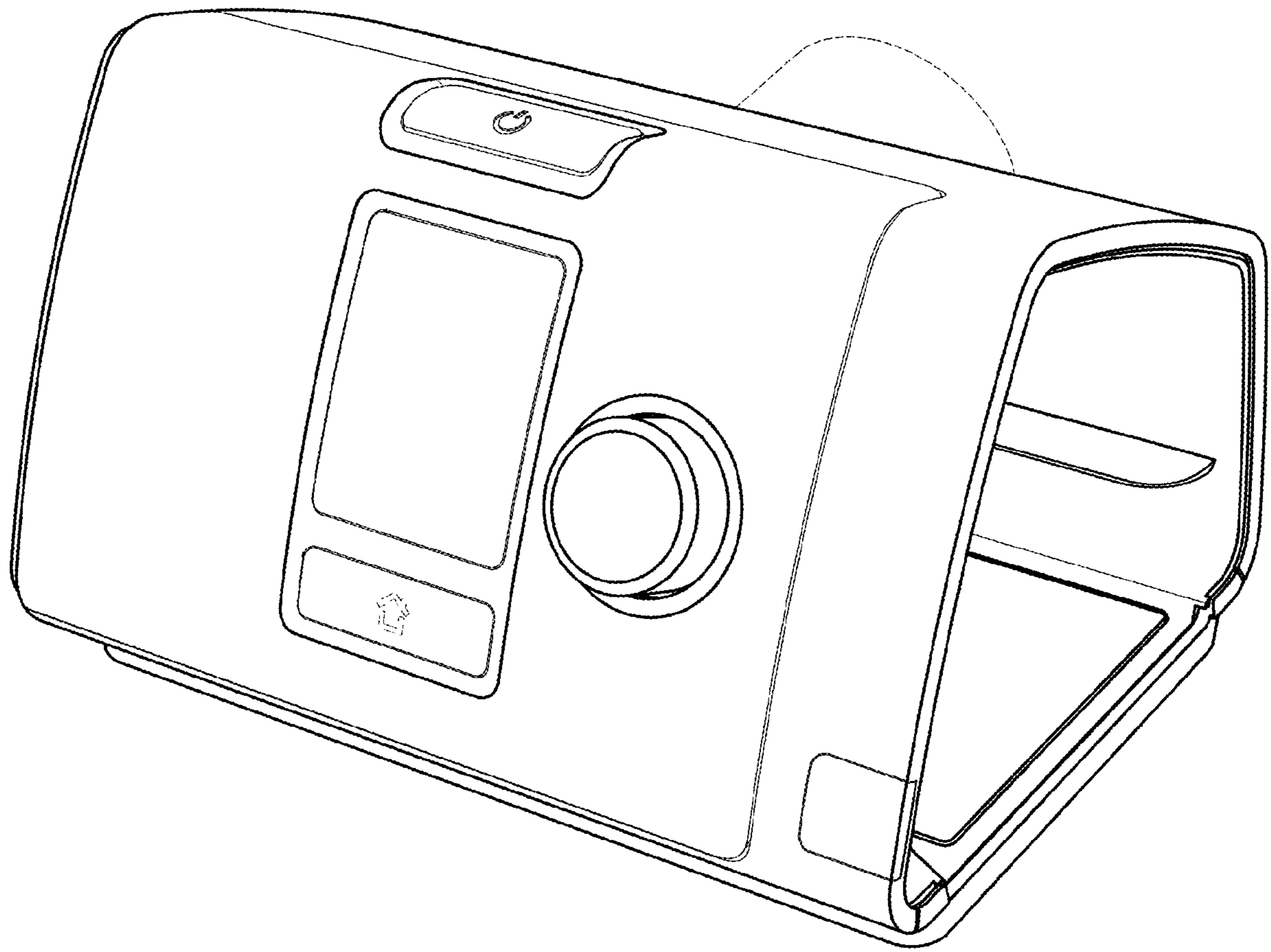


FIG. 10

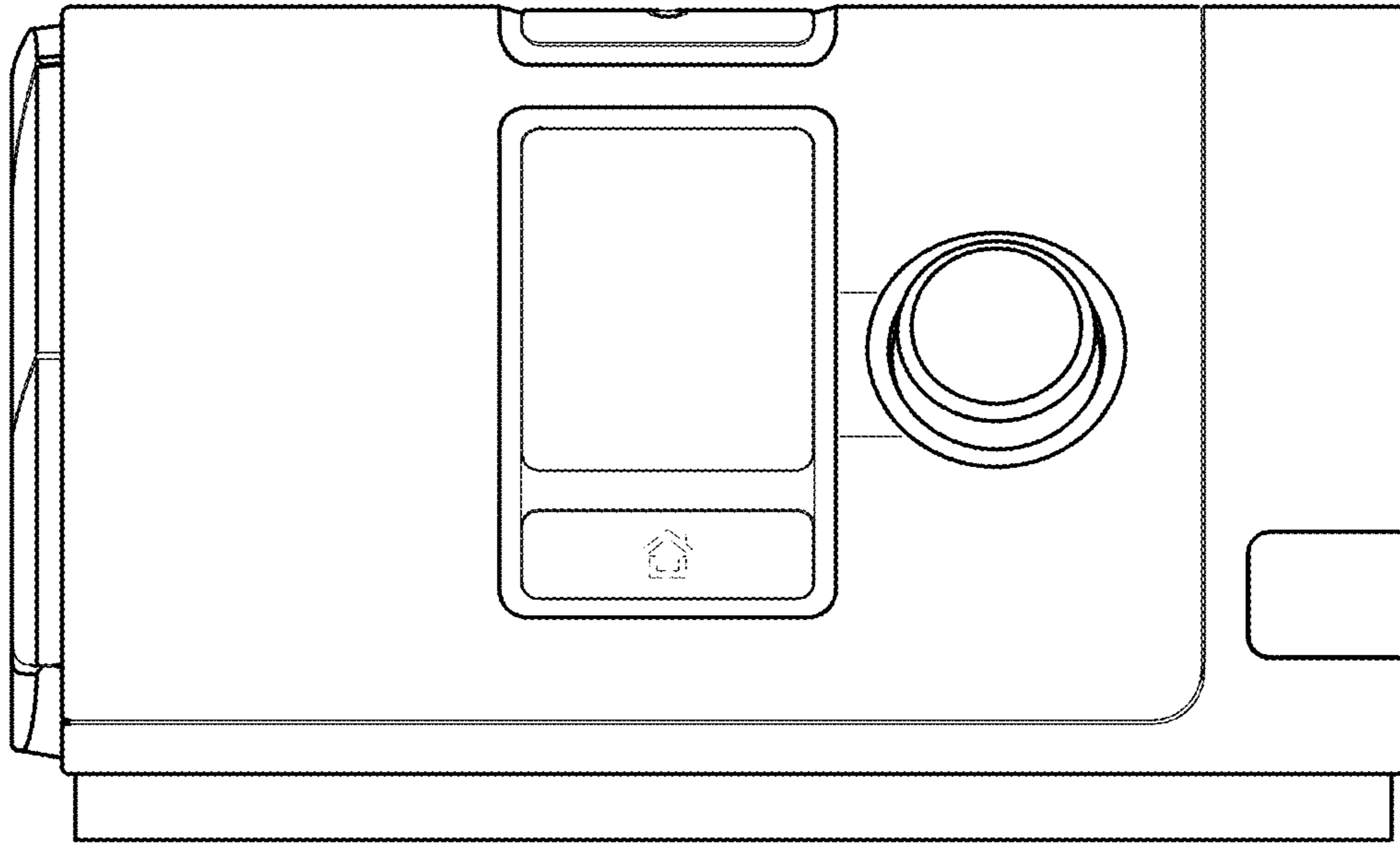


FIG. 11

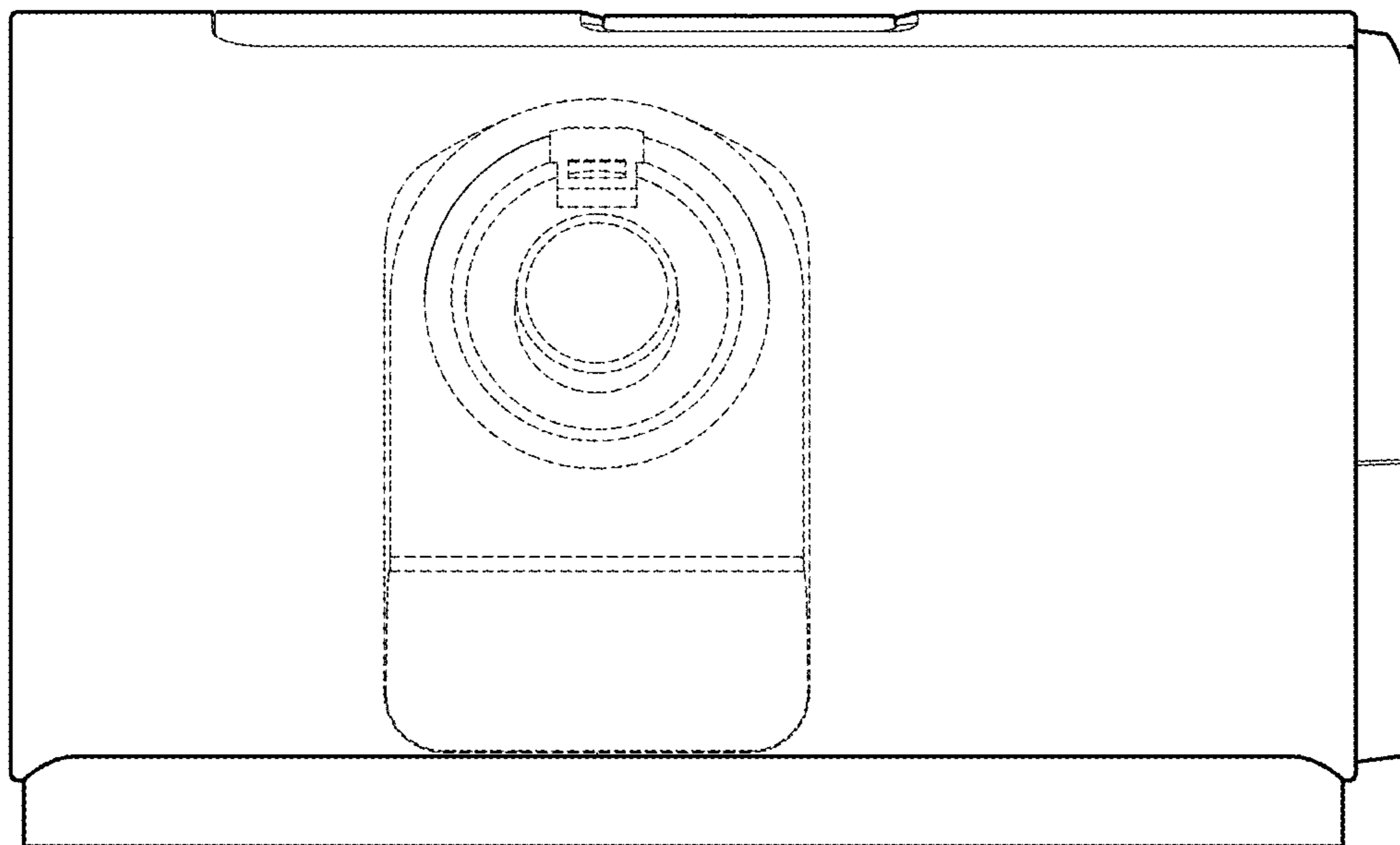


FIG. 12

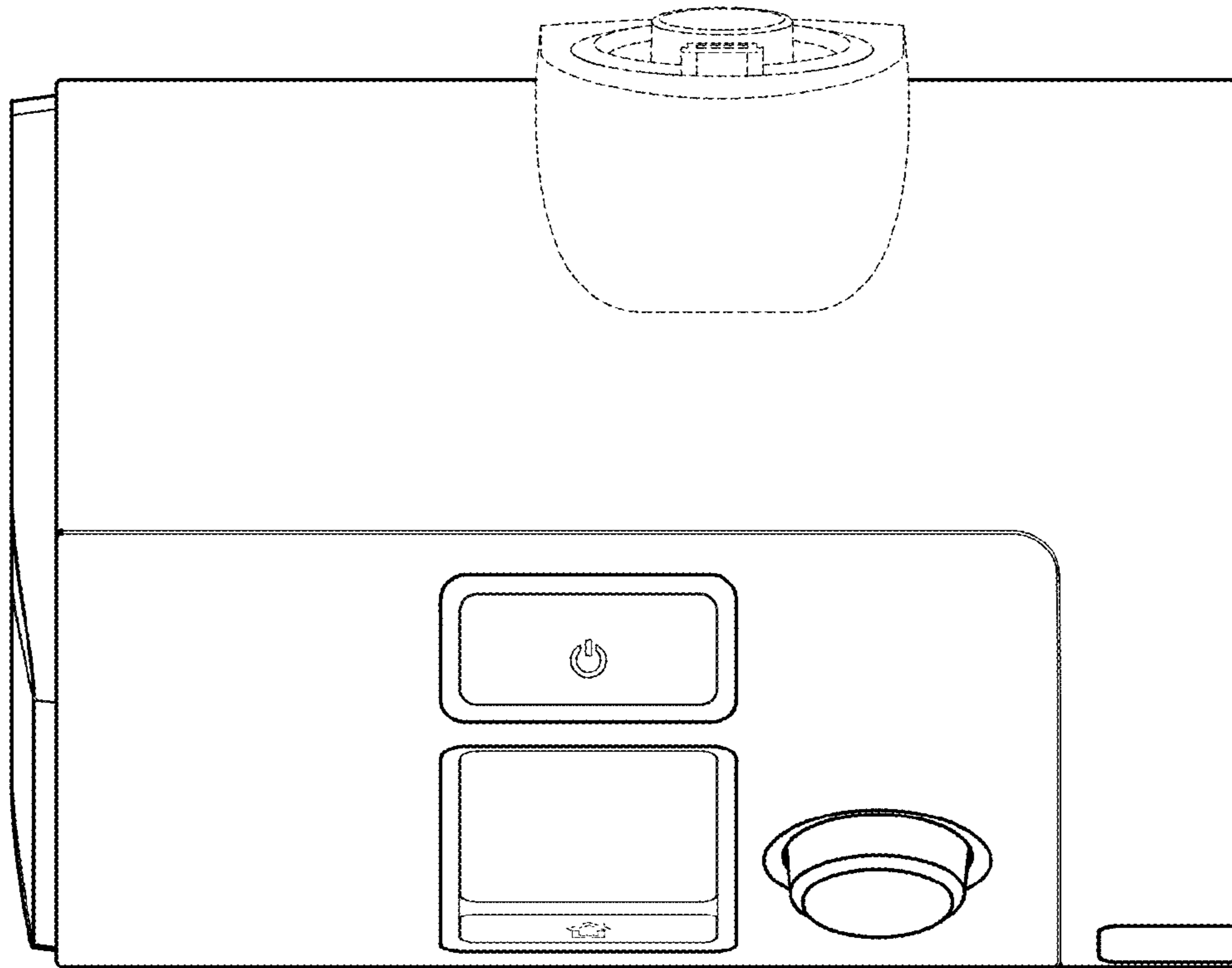


FIG. 13

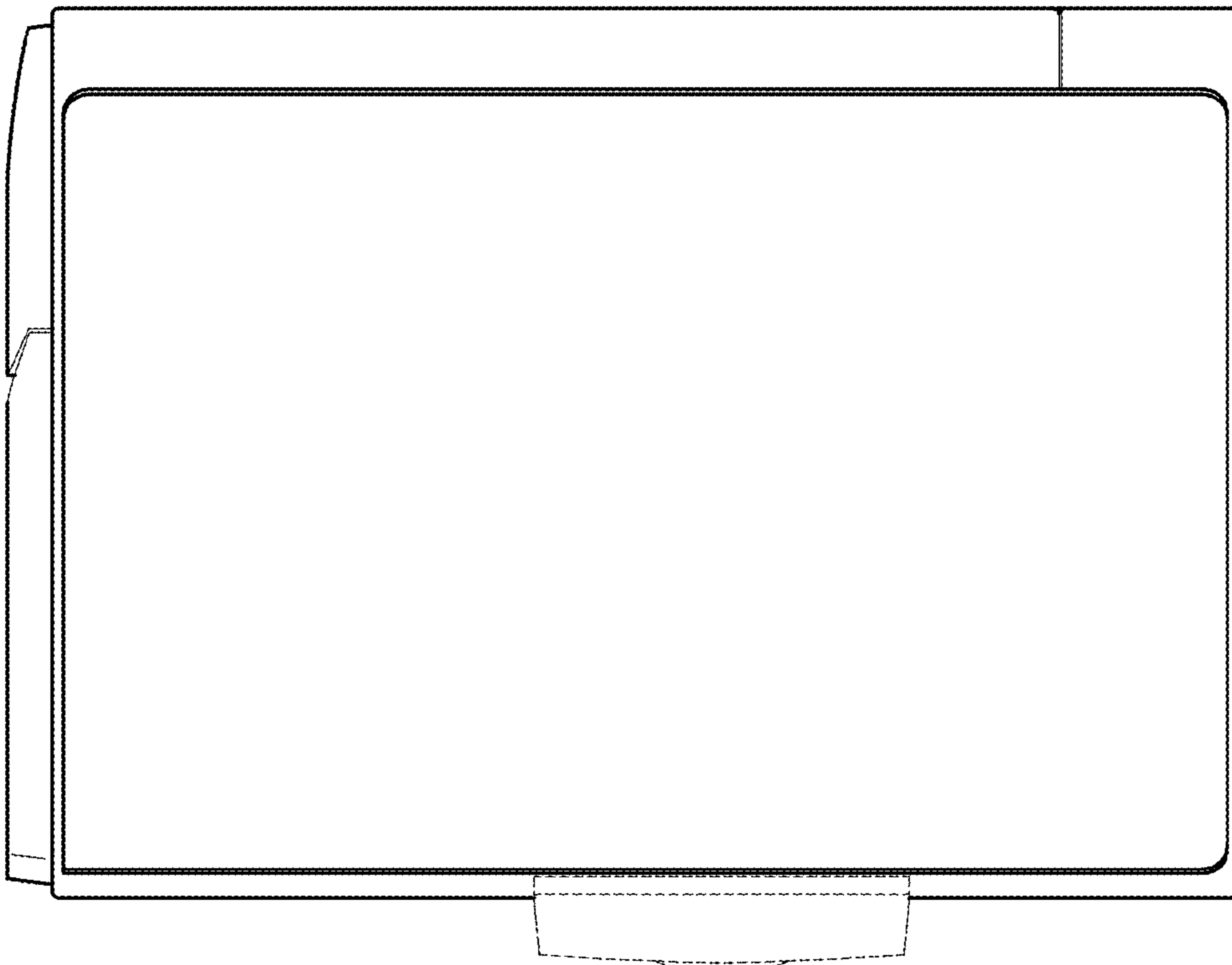


FIG. 14

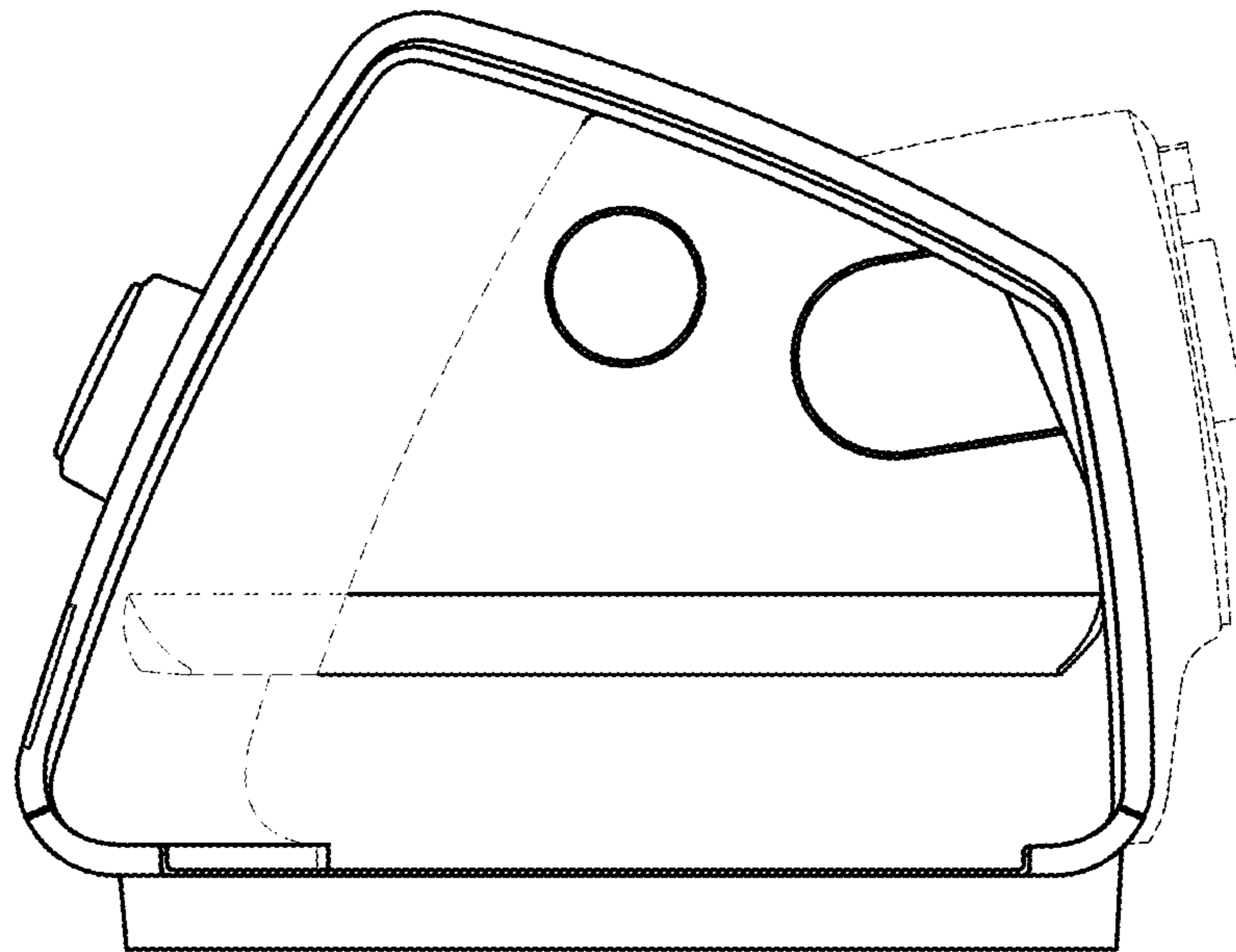


FIG. 15

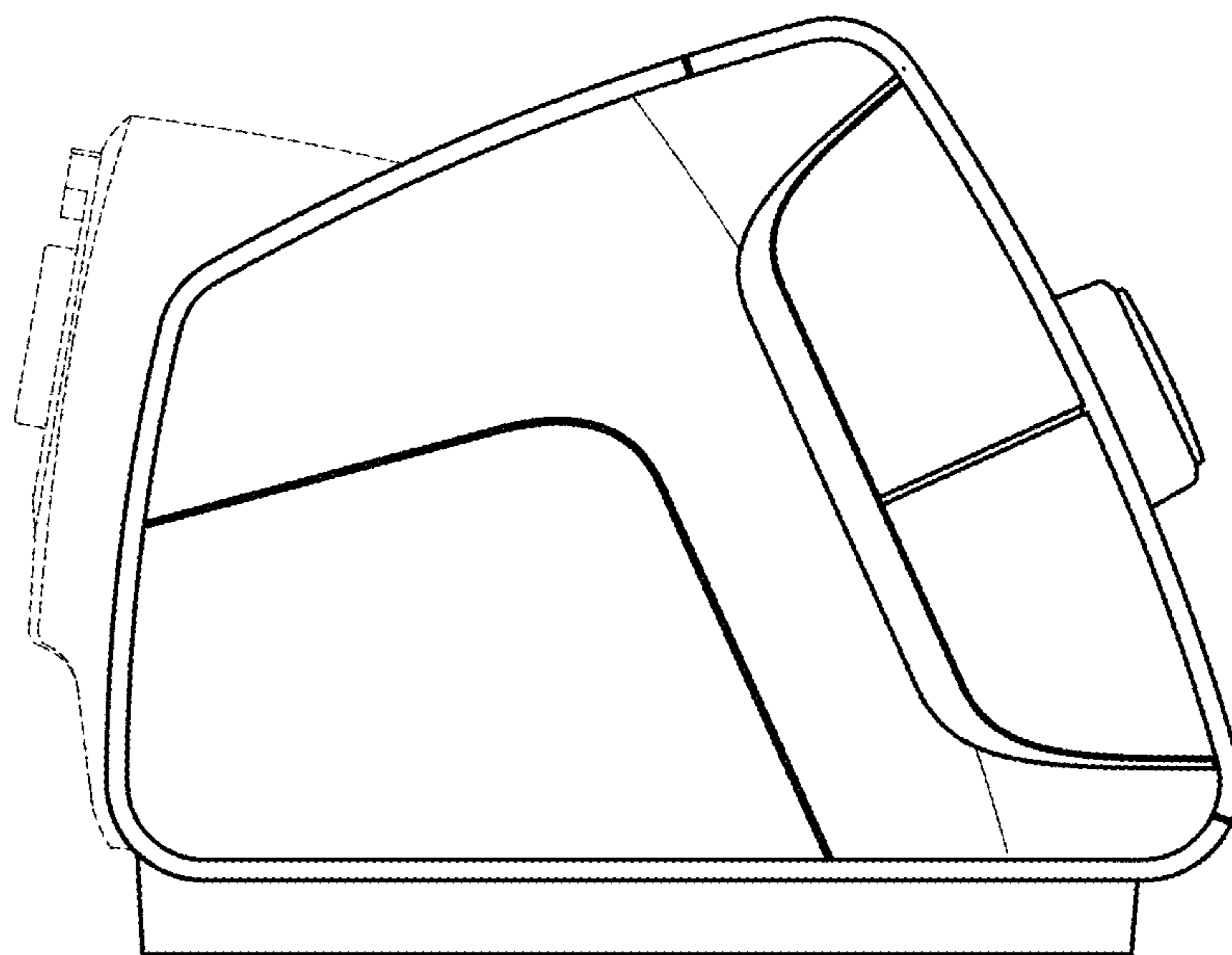


FIG. 16

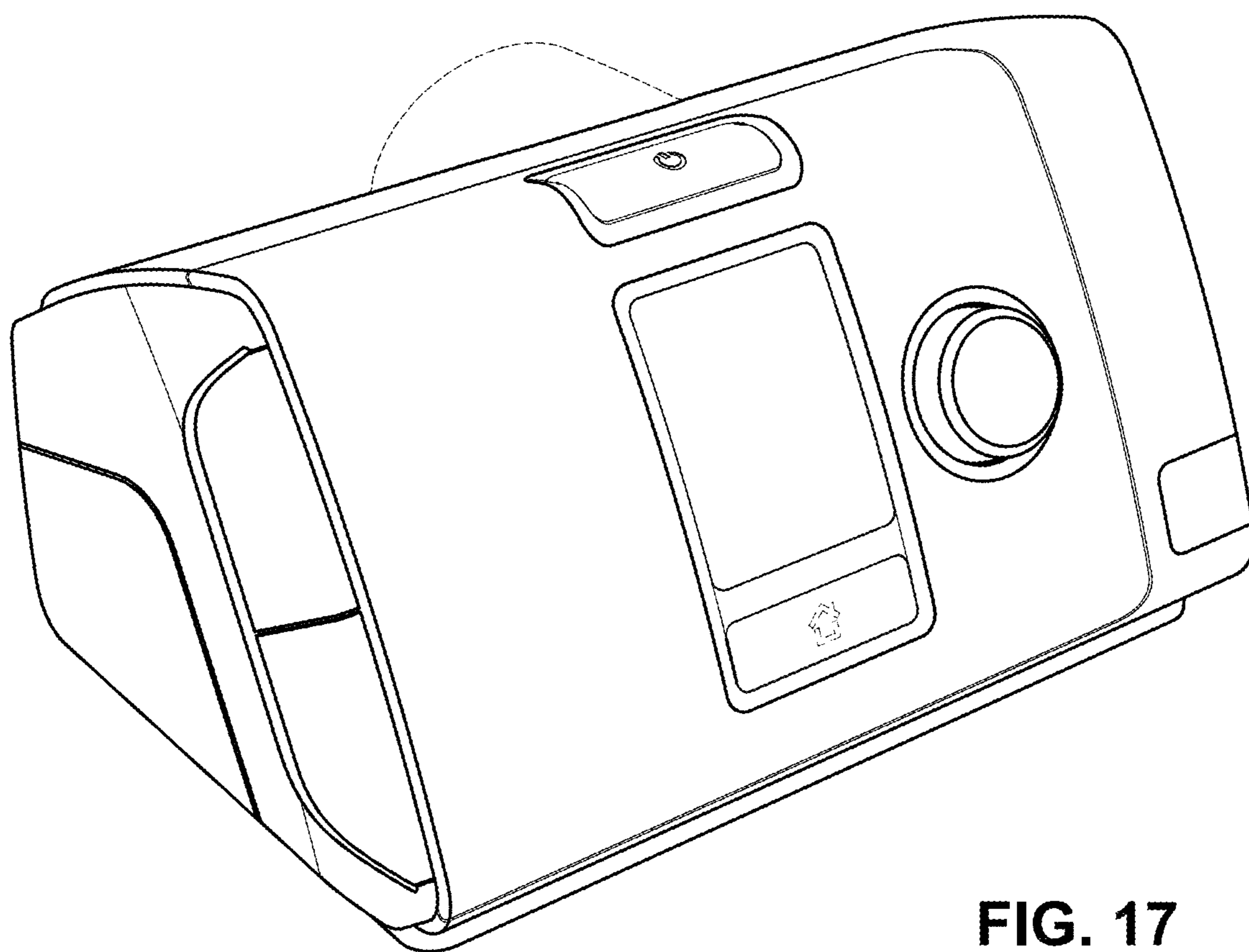


FIG. 17

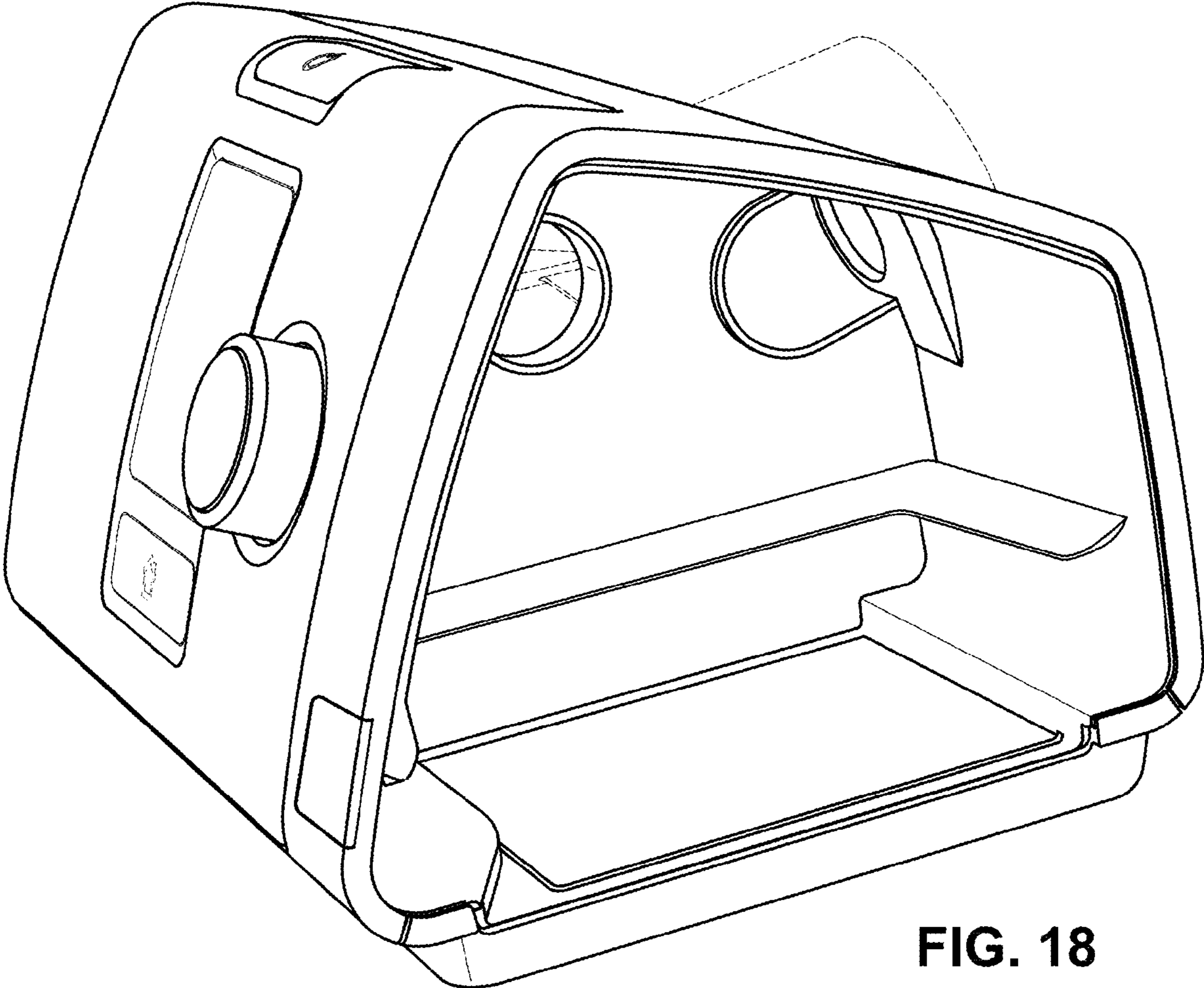


FIG. 18