

US00D967398S

(12) **United States Design Patent** (10) **Patent No.:** **US D967,398 S**
Gong (45) **Date of Patent:** **** Oct. 18, 2022**

(54) **BREAST PUMP**

(71) Applicant: **Ningbo Huiyoo Baby Products Co., Ltd, Cixi (CN)**

(72) Inventor: **Meirong Gong, Cixi (CN)**

(**) Term: **15 Years**

(21) Appl. No.: **29/805,446**

(22) Filed: **Aug. 26, 2021**

(51) **LOC (13) Cl.** **24-02**

(52) **U.S. Cl.**
USPC **D24/109**

(58) **Field of Classification Search**
USPC D24/107-109, 111, 113, 127, 185, 193,
D24/197; D7/700; D9/500, 549;
D13/168; D14/203.2-203.8; 604/74-76,
604/364
CPC A61M 1/00; A61M 1/06; A61M 1/062;
A61M 1/064; A61M 1/066; A61M 1/067;
A61M 1/069; A61M 1/80; A61M 1/82;
A61J 9/00; A61J 13/00; A61J 2200/50;
A61J 2200/76
See application file for complete search history.

(56) **References Cited**

U.S. PATENT DOCUMENTS

- D234,642 S * 3/1975 Lee D24/109
- D541,228 S * 4/2007 Thursfield D13/168
- 7,223,255 B2 * 5/2007 Myers A61M 1/064
604/74
- D565,174 S * 3/2008 Pukall D24/109
- D608,762 S * 1/2010 Sheng D14/203.3
- D683,843 S * 6/2013 Cudworth D24/109
- D797,575 S * 9/2017 Lai D10/22
- D809,646 S * 2/2018 Mason D24/109
- 10,625,005 B2 * 4/2020 Chang A61M 1/74
- D903,854 S 12/2020 Huang

- D920,945 S * 6/2021 Chan D14/204
- D928,119 S * 8/2021 Walter D14/216
- 2017/0072118 A1 * 3/2017 Makower A61M 1/06

FOREIGN PATENT DOCUMENTS

- CN 305760909 * 5/2020
- CN 306698344 * 7/2021
- CN 307312120 * 5/2022
- GB 6188192 * 1/2022
- WO WO-D218050-005 * 6/2022

OTHER PUBLICATIONS

Bellababy (available Jan. 16, 2022 [online]) Retrived from the internet Jul. 27, 2022 from URL: <https://www.amazon.com/Bellababy-Wearable-Assemble-Disassemble-Rechargeable/dp/B09QJVMVQQ/> (Year: 2022).*

* cited by examiner

Primary Examiner — Richard Kearney
Assistant Examiner — Michael Hoffman

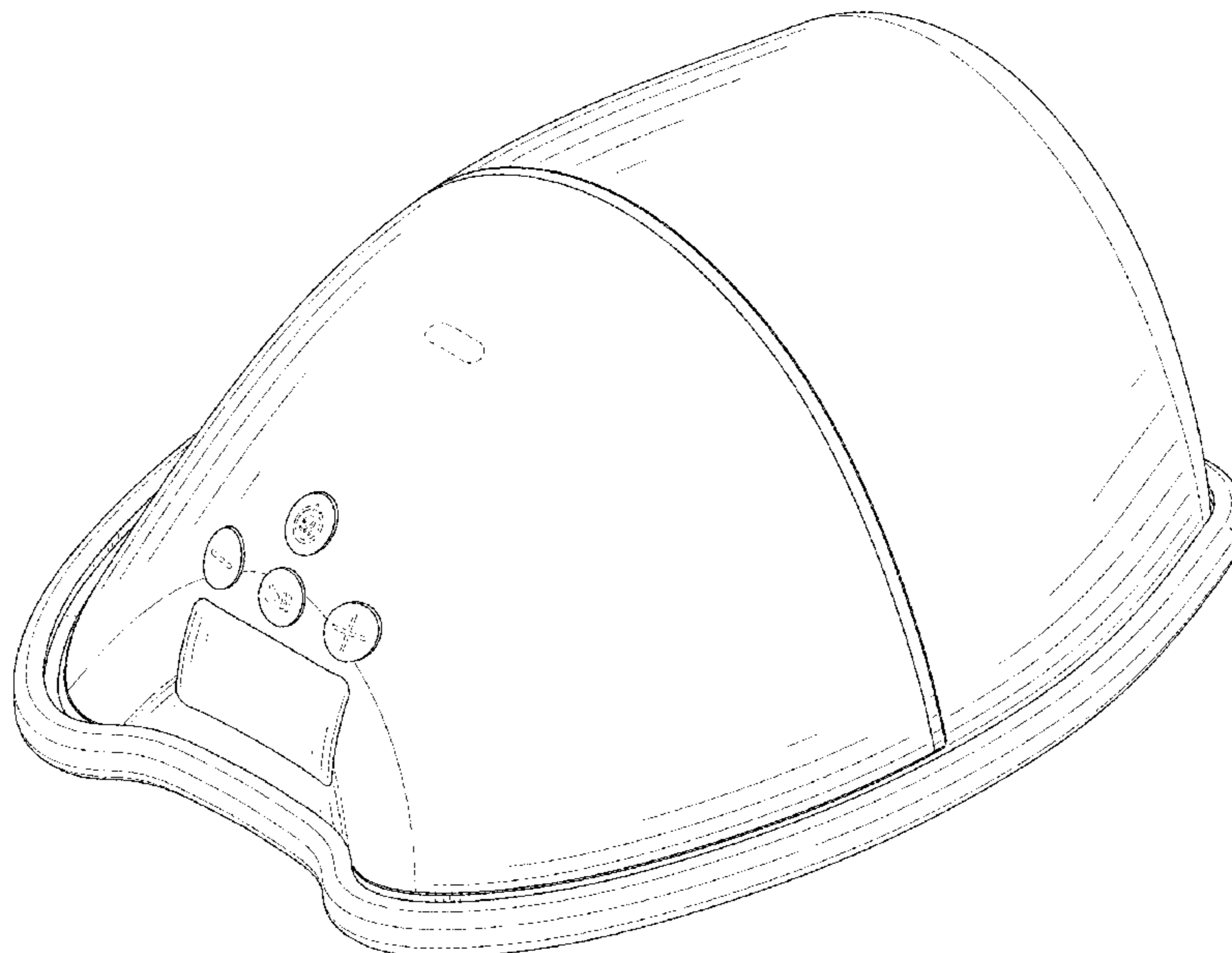
(57) **CLAIM**

The ornamental design for a breast pump, as shown and described.

DESCRIPTION

FIG. 1 is a front and top perspective view of a breast pump, showing, my new design;
FIG. 2 is a rear and bottom perspective view thereof;
FIG. 3 is a front elevation view thereof;
FIG. 4 is a rear elevation view thereof;
FIG. 5 is a left side elevation view thereof;
FIG. 6 is a right side elevation view thereof;
FIG. 7 is a top plan view thereof; and,
FIG. 8 is a bottom plan view thereof.
The broken lines in the figures illustrate portions of the breast pump that form no part of the claimed design.

1 Claim, 8 Drawing Sheets



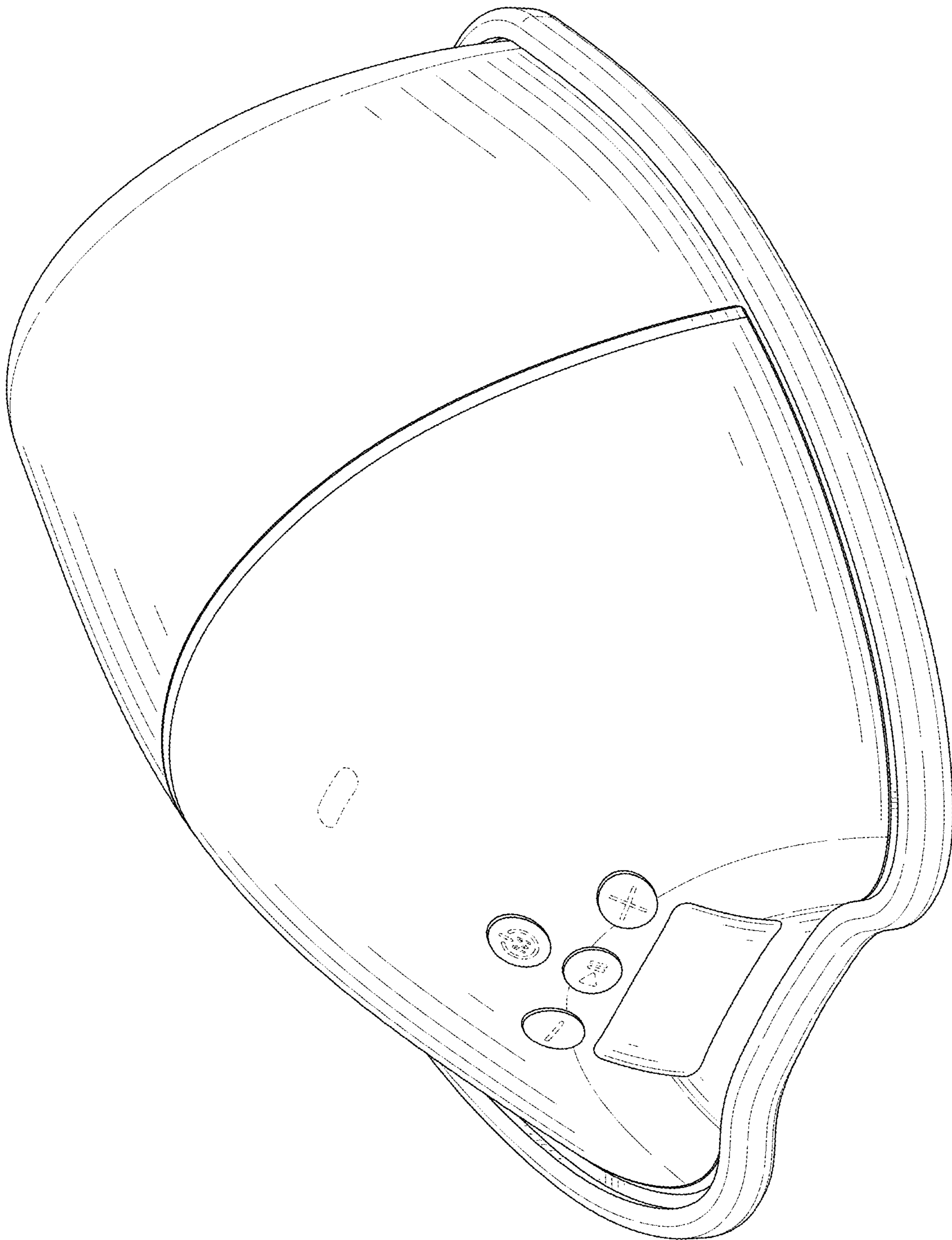


FIG. 1

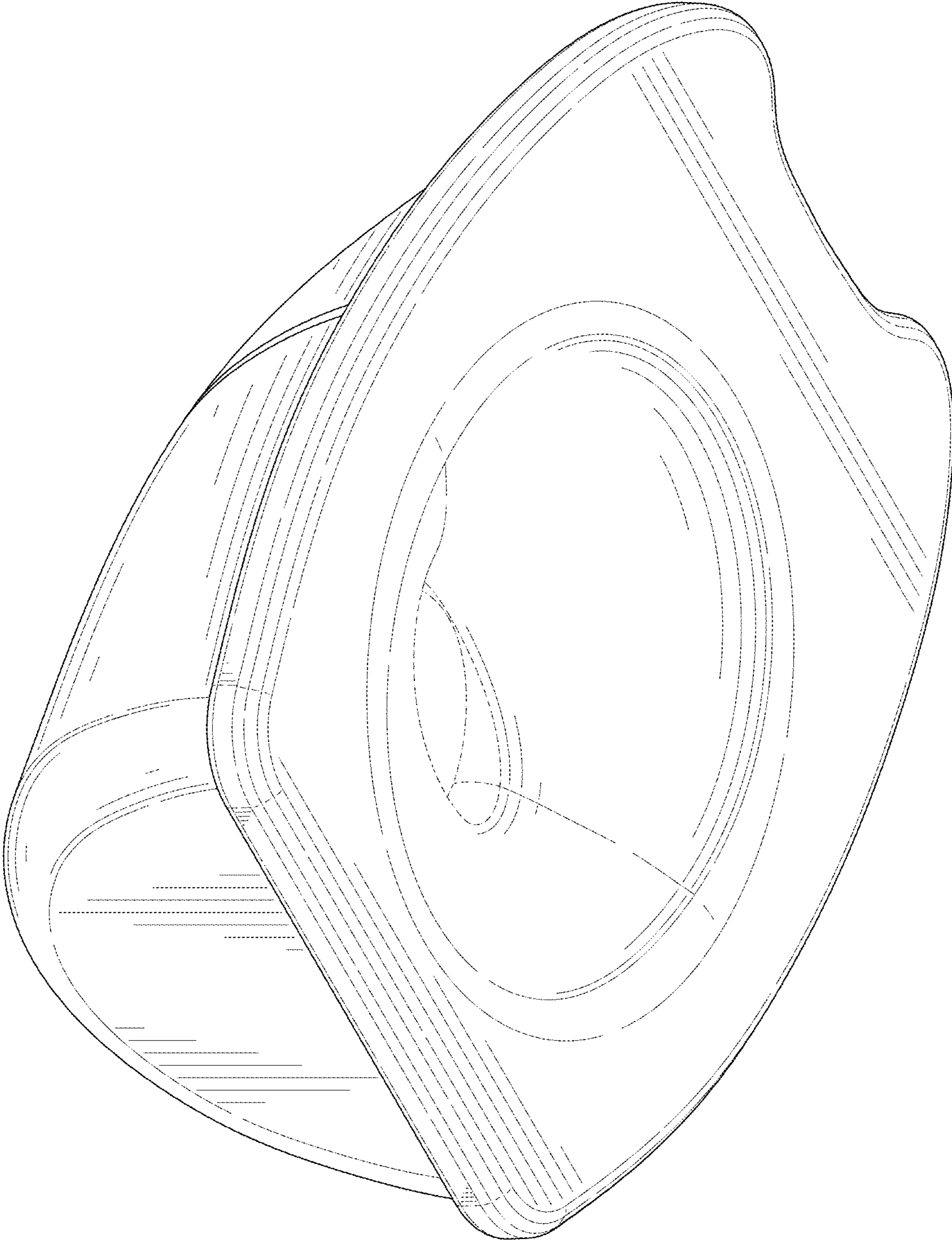


FIG. 2

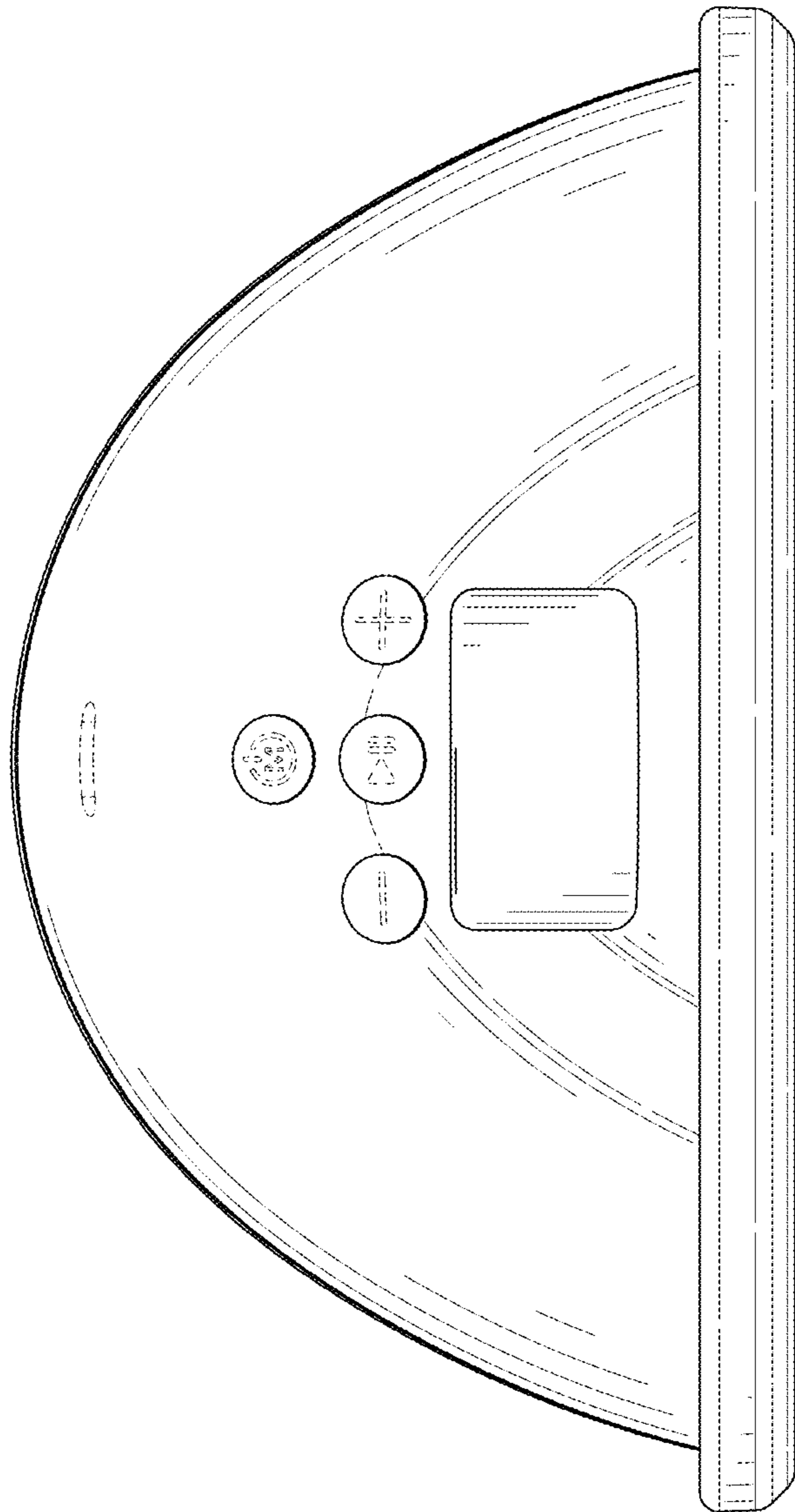


FIG. 3

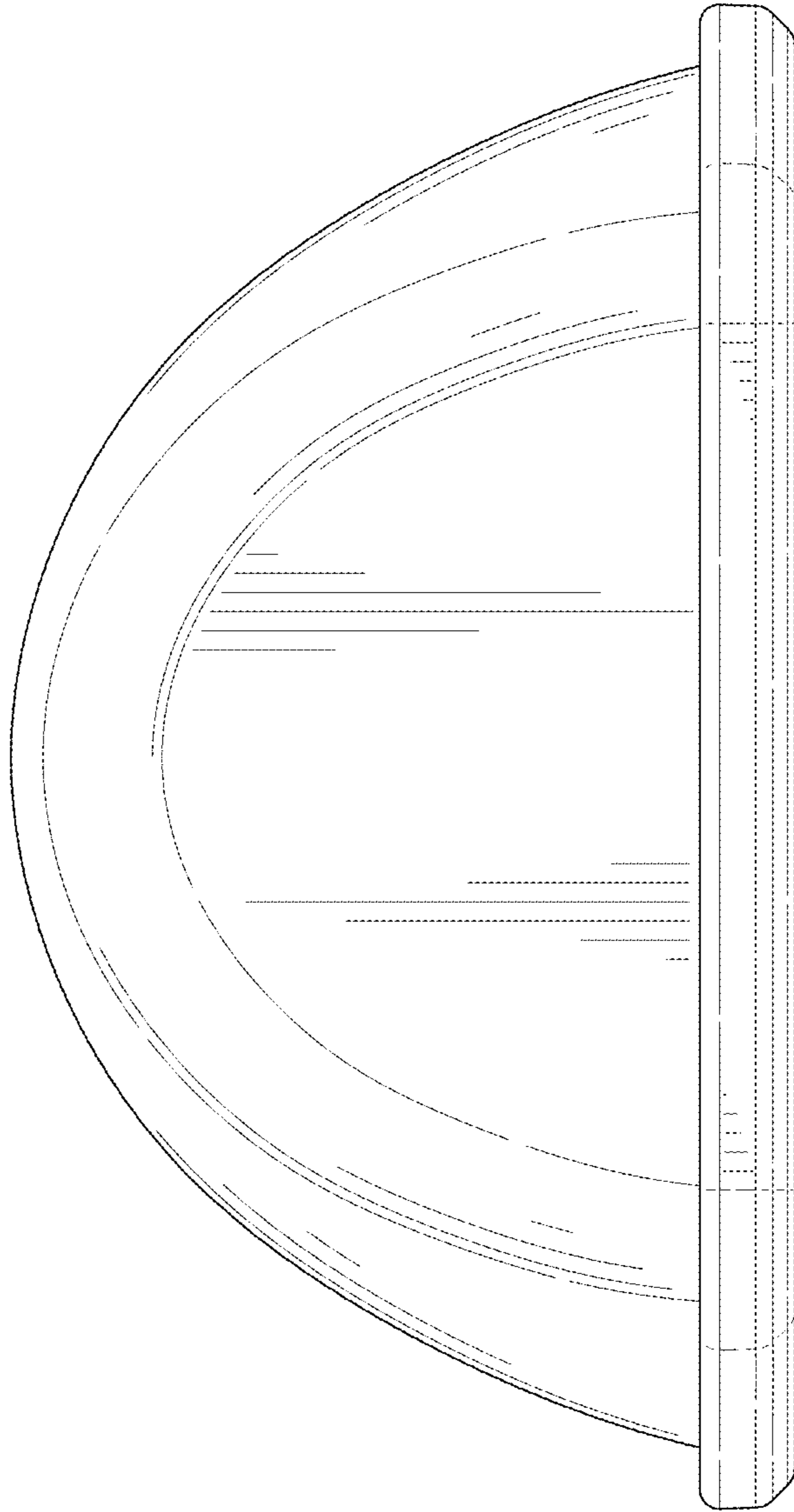


FIG. 4

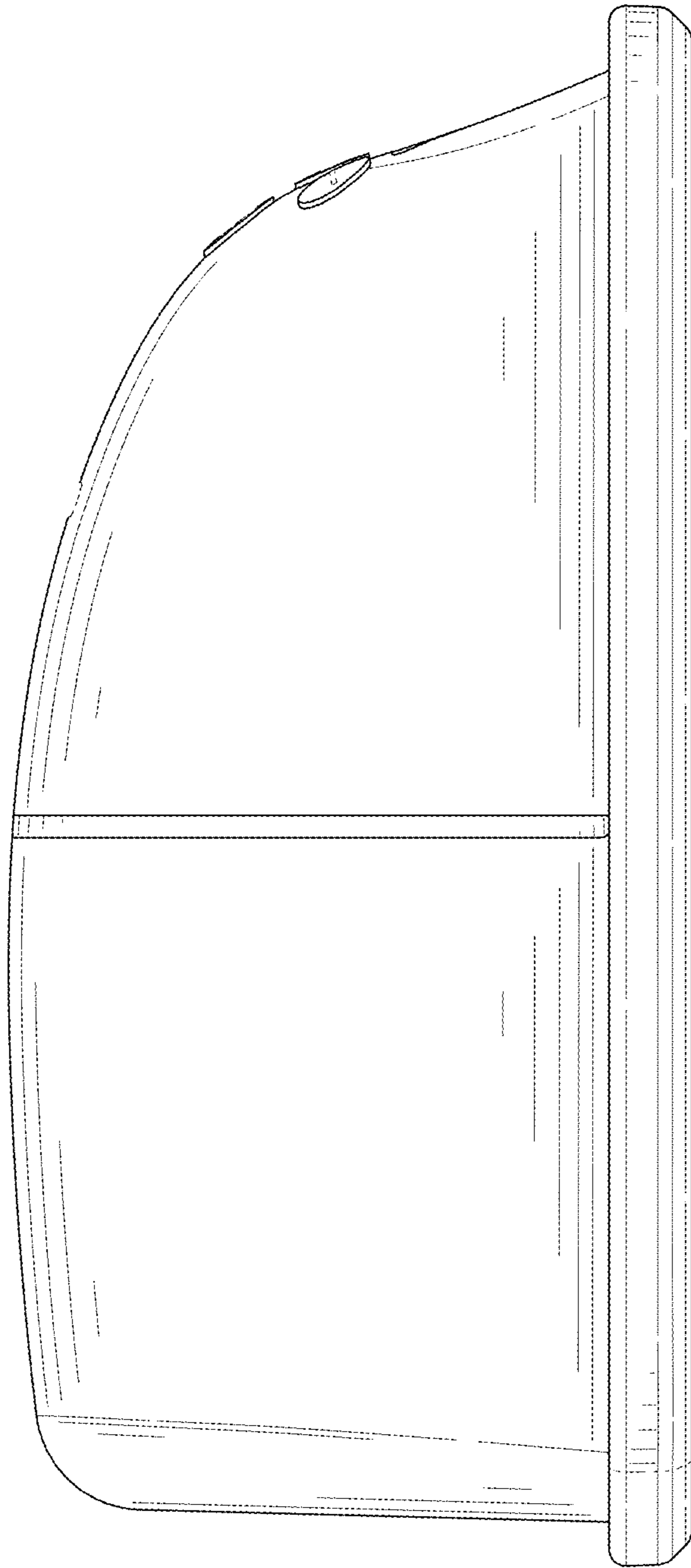


FIG. 5

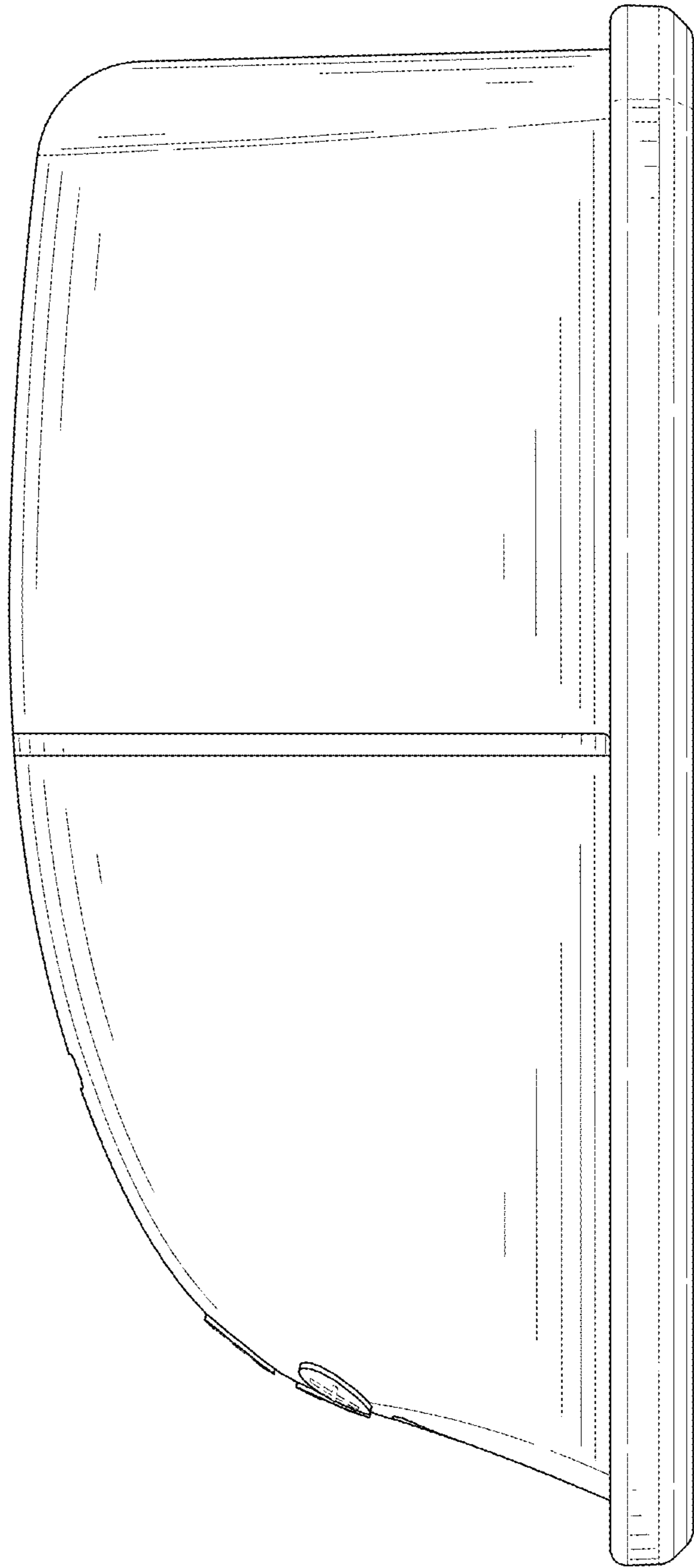


FIG. 6

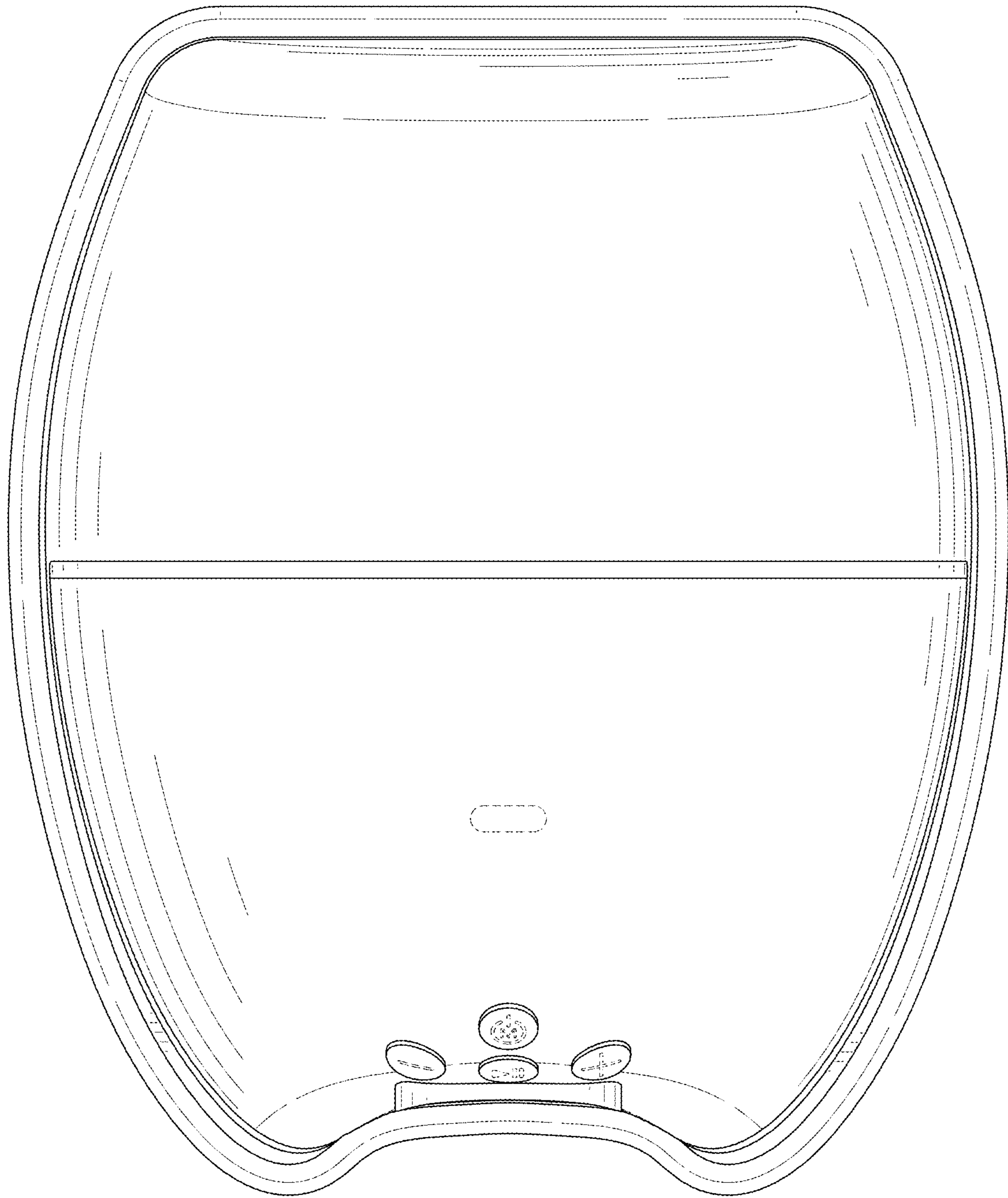


FIG. 7

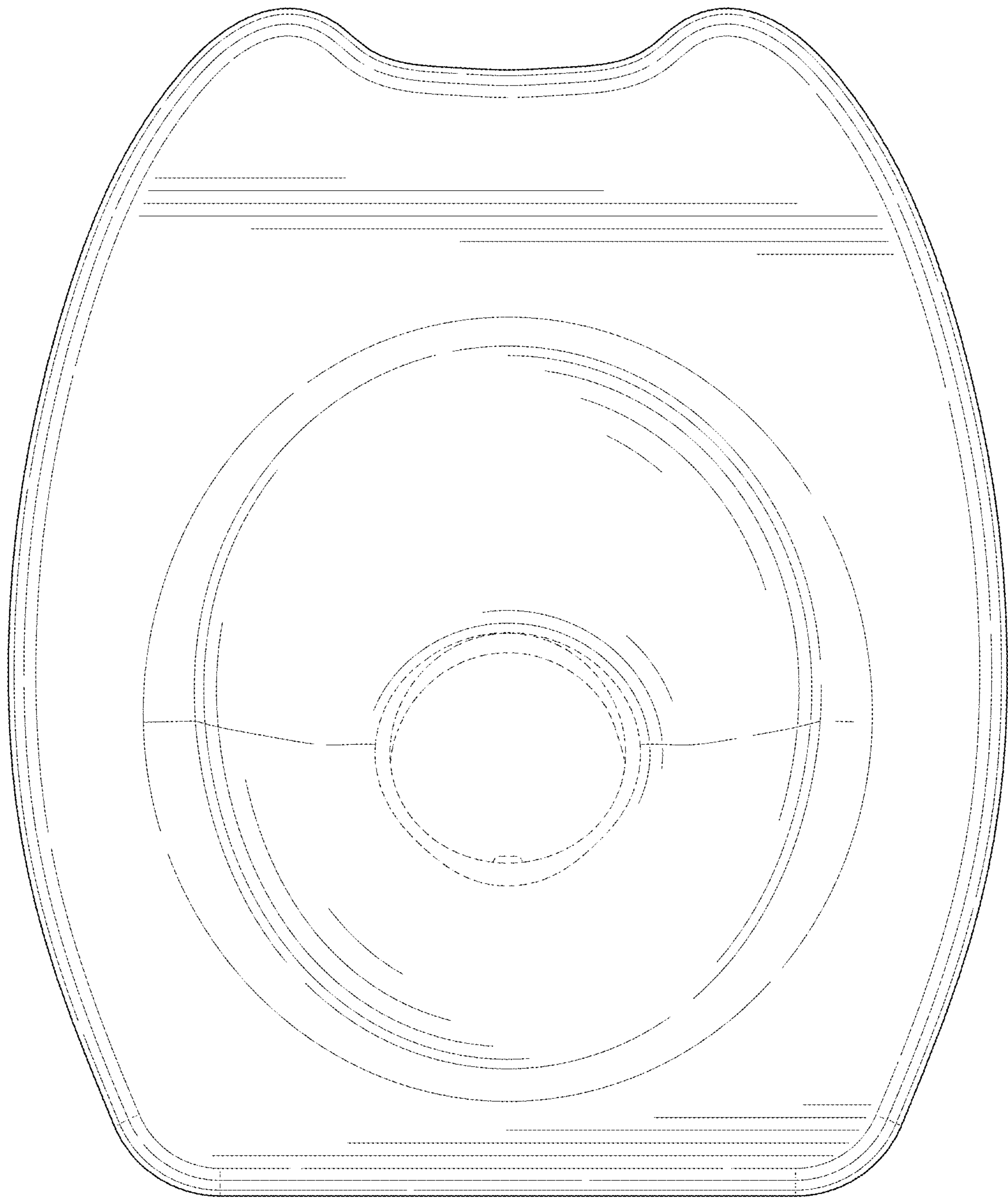


FIG. 8