

US00D967396S

(12) **United States Design Patent**
Chen

(10) **Patent No.:** **US D967,396 S**

(45) **Date of Patent:** **** Oct. 18, 2022**

(54) **PAIR OF NOISE REDUCTION EARPLUGS**

(71) Applicant: **OLINS (SHENZHEN) TECHNOLOGY CO., LTD.**, Shenzhen (CN)

(72) Inventor: **Xiangdao Chen**, Shenzhen (CN)

(73) Assignee: **OLINS (SHENZHEN) TECHNOLOGY CO., LTD.**, Shenzhen (CN)

(**) Term: **15 Years**

(21) Appl. No.: **29/824,396**

(22) Filed: **Jan. 25, 2022**

(51) **LOC (13) Cl.** **24-04**

(52) **U.S. Cl.**
USPC **D24/106**

(58) **Field of Classification Search**
USPC D24/106, 173, 174; D14/223, 205, 224, D14/225, 226, 249, 429; D29/112
CPC .. A61F 11/08; A61F 11/085; H04R 2225/025; H04R 2225/021; H04R 2225/023; H04R 25/00; H04R 25/02; H04R 25/60; H04R 25/67; H04R 25/602; H04R 25/604; H04R 25/608; H04R 1/1016; H04R 1/105; H04R 1/1083; A45F 5/004; H01L 23/02; H01Q 7/00; H01Q 13/10
See application file for complete search history.

(56) **References Cited**

U.S. PATENT DOCUMENTS

D388,093 S	*	12/1997	Frengley	D14/223
D543,972 S	*	6/2007	Taylor	D14/223
D640,670 S	*	6/2011	Rye	D14/223
D645,458 S	*	9/2011	Silvestri	H04R 1/10 D14/223
D744,456 S	*	12/2015	Pedersen	D14/223
D754,323 S	*	4/2016	Ely	D24/106

D773,032 S		11/2016	Palmborg et al.	
D788,079 S	*	5/2017	Son D14/223
D797,079 S	*	9/2017	Houle D14/223
D798,435 S		9/2017	Hamer et al.	
D828,825 S	*	9/2018	Samrelius D14/223
D828,826 S	*	9/2018	Schaal D14/223
D847,124 S	*	4/2019	Smith D14/223
D850,417 S	*	6/2019	Yang D14/223
D857,667 S	*	8/2019	Willis D14/223
D860,973 S	*	9/2019	Ko D14/223
D870,079 S	*	12/2019	Yun D14/223

(Continued)

OTHER PUBLICATIONS

Ear Plugs for Noise Reduction, [site visited Aug. 18, 2022]. Available from Internet. URL: https://www.amazon.com/dp/B09MW47V4P/ref=twister_B09NQYZ1KQ?_encoding=UTF8&th=1 (Year: 2021).*

(Continued)

Primary Examiner — T Chase Nelson
Assistant Examiner — Kelly L Gross

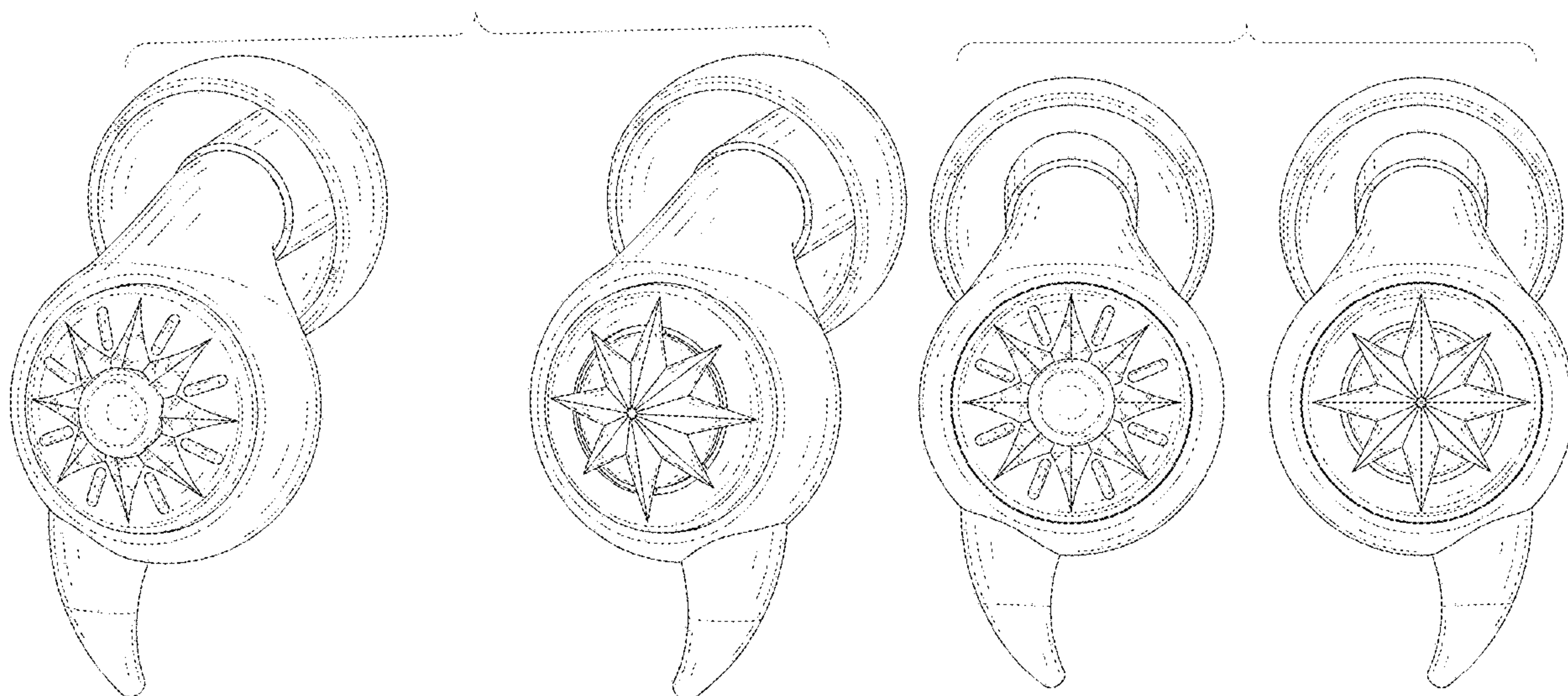
(57) **CLAIM**

The ornamental design for a pair of noise reduction earplugs, as shown and described.

DESCRIPTION

FIG. 1 is a perspective view of the pair of noise reduction earplugs showing my new design; FIG. 2 is another perspective view thereof; FIG. 3 is a front elevational view thereof; FIG. 4 is a rear elevational view thereof; FIG. 5 is a left side elevational view thereof; FIG. 6 is a right side elevational view thereof; FIG. 7 is a top plan view thereof; and, FIG. 8 is a bottom plan view thereof. The broken lines in the drawings depict portions of the pair of noise reduction earplugs that form no part of the claimed design.

1 Claim, 8 Drawing Sheets



(56)

References Cited

U.S. PATENT DOCUMENTS

D871,374 S * 12/2019 Karayiannis D14/223
 D871,376 S * 12/2019 Zhou D14/223
 D873,248 S * 1/2020 Weicheng D14/223
 D873,805 S * 1/2020 Yang D14/223
 D876,398 S * 2/2020 Cai D14/223
 D877,721 S * 3/2020 Jung D14/223
 D881,163 S * 4/2020 Duddy D14/223
 D881,164 S * 4/2020 Luo D14/223
 D881,849 S * 4/2020 Aoyagi D14/223
 D883,958 S * 5/2020 Liu D14/223
 D883,959 S * 5/2020 Lee D14/223
 D892,085 S * 8/2020 Kim D14/223
 D893,461 S * 8/2020 Gu D14/223
 D894,158 S * 8/2020 Gu D14/223
 D895,577 S * 9/2020 Smith D14/223
 D896,205 S * 9/2020 Zhang D14/223
 D897,321 S * 9/2020 Wei D14/223
 D897,522 S * 9/2020 O D24/106
 D897,995 S * 10/2020 Duddy D14/223
 D902,182 S * 11/2020 Wang D14/223
 D902,185 S * 11/2020 Xian D14/223
 D904,349 S * 12/2020 Saxton D14/223
 D904,350 S * 12/2020 Zhou D14/223
 D905,666 S * 12/2020 Yun D14/223
 D906,293 S * 12/2020 Williamson D14/223
 D906,296 S * 12/2020 Zheng D14/223
 D908,115 S * 1/2021 Mei D14/223
 D909,998 S * 2/2021 Du D14/223
 D910,602 S * 2/2021 Feng D14/223
 D913,993 S * 3/2021 Sugiura D14/223
 D914,650 S * 3/2021 Hu D14/223
 D916,054 S * 4/2021 Sretovic D14/223
 D917,426 S * 4/2021 Yang D14/223
 D918,873 S * 5/2021 Deng D14/223
 D922,357 S * 6/2021 Yang D14/223
 D923,610 S * 6/2021 Bonahoom D14/223
 D924,848 S * 7/2021 Yang D14/223
 D924,850 S * 7/2021 Takubo D14/223
 D928,124 S * 8/2021 Liu D14/223
 D929,372 S * 8/2021 Zhong D14/223
 D930,618 S * 9/2021 Lindenberger D14/223
 D930,619 S * 9/2021 Lindenberger D14/223

D934,840 S * 11/2021 Takubo D14/223
 D934,841 S * 11/2021 Takubo D14/223
 D936,034 S * 11/2021 Yoshida D14/223
 D938,574 S * 12/2021 Guo D24/106
 D938,941 S * 12/2021 Iwahori D14/223
 D939,478 S * 12/2021 Wu D14/223
 D939,686 S * 12/2021 Guo D24/106
 D940,097 S * 1/2022 Tamamura D14/223
 D940,108 S * 1/2022 Wu D14/223
 D941,274 S * 1/2022 Prevoir D14/223
 D942,423 S * 2/2022 Reimann D14/223
 D945,400 S * 3/2022 Tian D14/223
 D945,404 S * 3/2022 Birger D14/223
 D945,405 S * 3/2022 Rose D14/223
 D947,156 S * 3/2022 Prevoir D14/223
 D948,481 S * 4/2022 Czaniecki D14/223
 D954,027 S * 6/2022 Chen D14/223
 D954,028 S * 6/2022 Gao D14/223
 D954,682 S * 6/2022 Ai D14/223
 D954,684 S * 6/2022 Laffon de Mazieres D14/223
 D956,018 S * 6/2022 Reimann D14/223
 D956,019 S * 6/2022 Reimann D14/223
 D956,020 S * 6/2022 Reimann D14/223
 D960,131 S * 8/2022 Zhu D14/223
 2017/0026738 A1 * 1/2017 Tang H04R 1/1091

OTHER PUBLICATIONS

Looshkey Noise Reduction Earplugs, [site visited Aug. 18, 2022]. Available from Internet. URL: https://www.amazon.com/Noise-Reduction-Earplugs-30dB-Protection/dp/B0B1J5LFTK/ref=sr_1_145?gclid=EA1alQobChMlrsaV4pbR-QIVDjizAB3PP... (Year: 2022).*

Reusable Earplugs for Noise Reduction, [site visited Aug. 18, 2022]. Available from Internet. URL: https://www.amazon.com/Reusable-Reduction-Cancelling-Motorcycle-SAMWUNICE/dp/B09N6D3NXY/ref=sxin_14_pa_sp_search_thematic_ssapa?c... (Year: 2022).*

High Fidelity Earplugs for Concerts, [site visited Aug. 24, 2022]. Available from Internet. URL: https://www.amazon.com/OLINS-KAKO-Protection-Musicians-Nightclub/dp/B0B68FNB2W?ref_ast_sto_dp&th=1 (Year: 2022).*

* cited by examiner

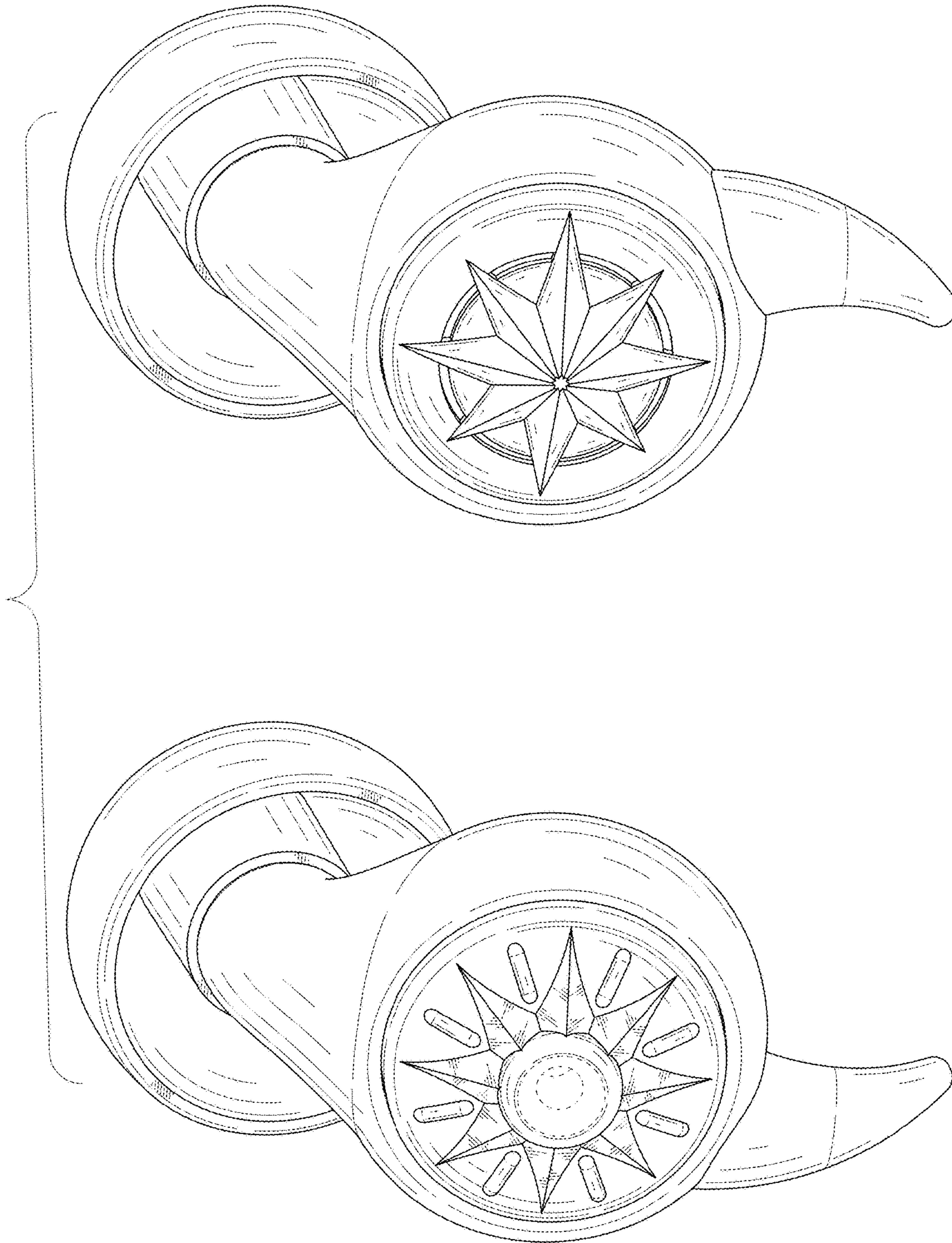


FIG. 1

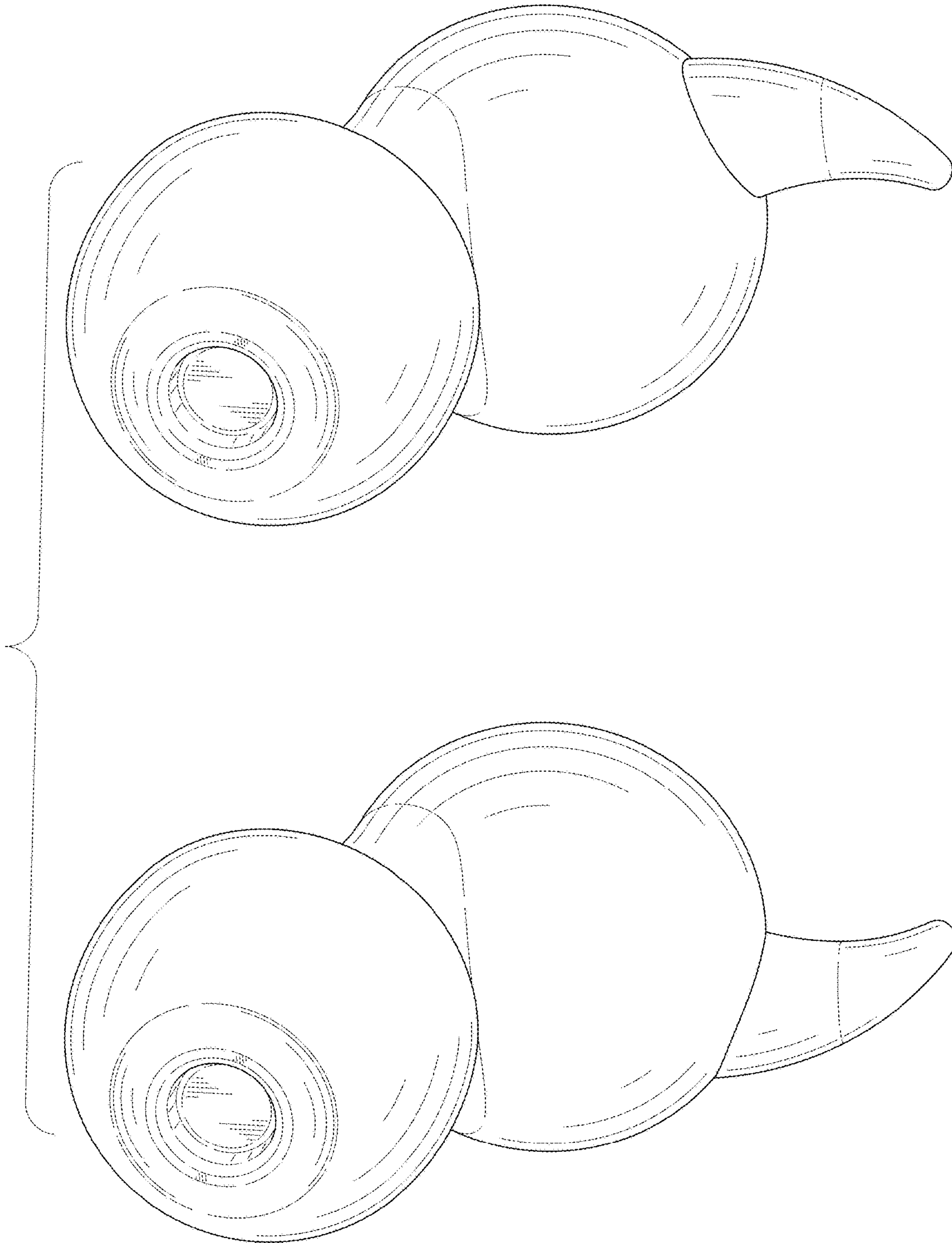


FIG. 2

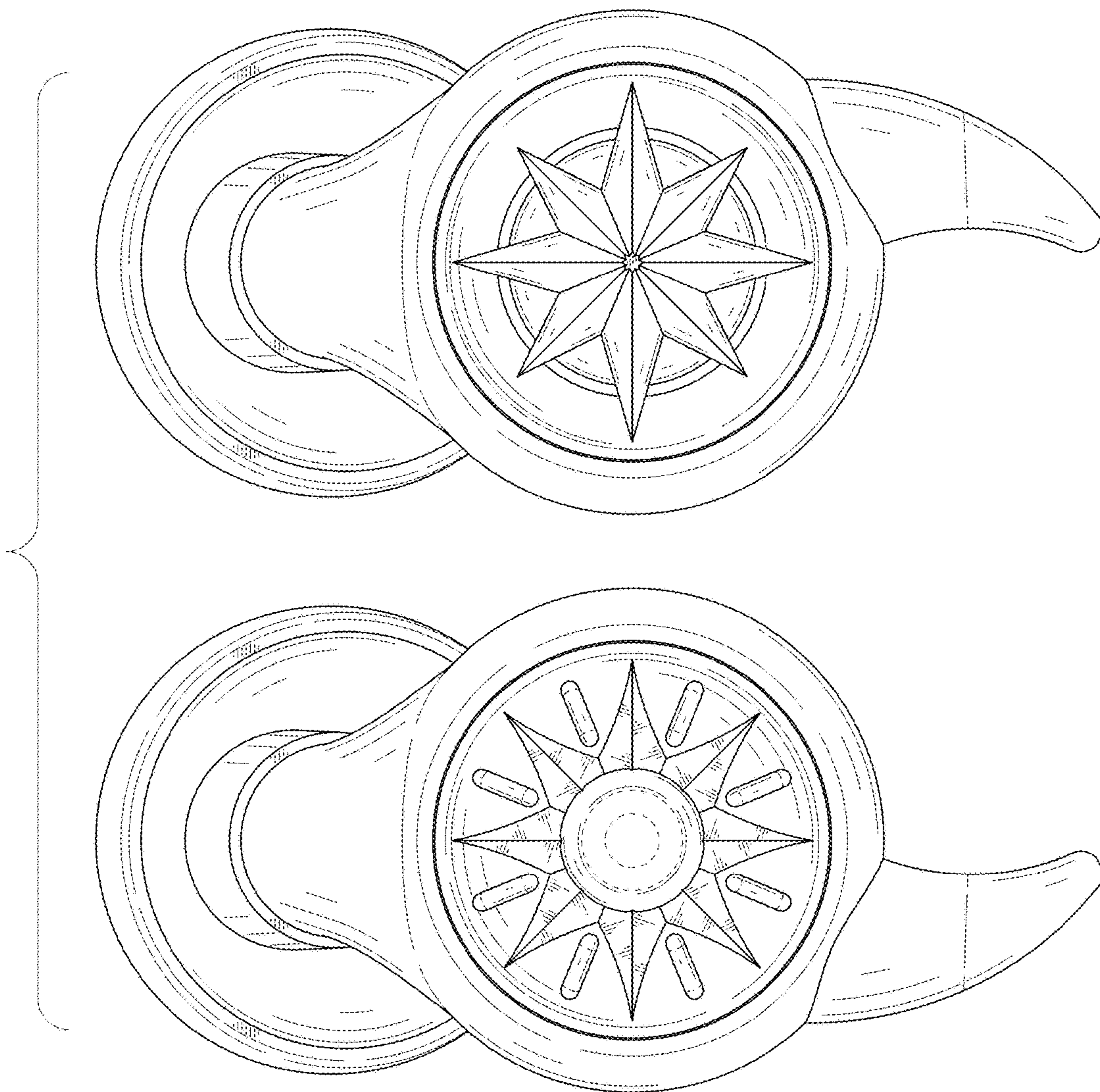


FIG. 3

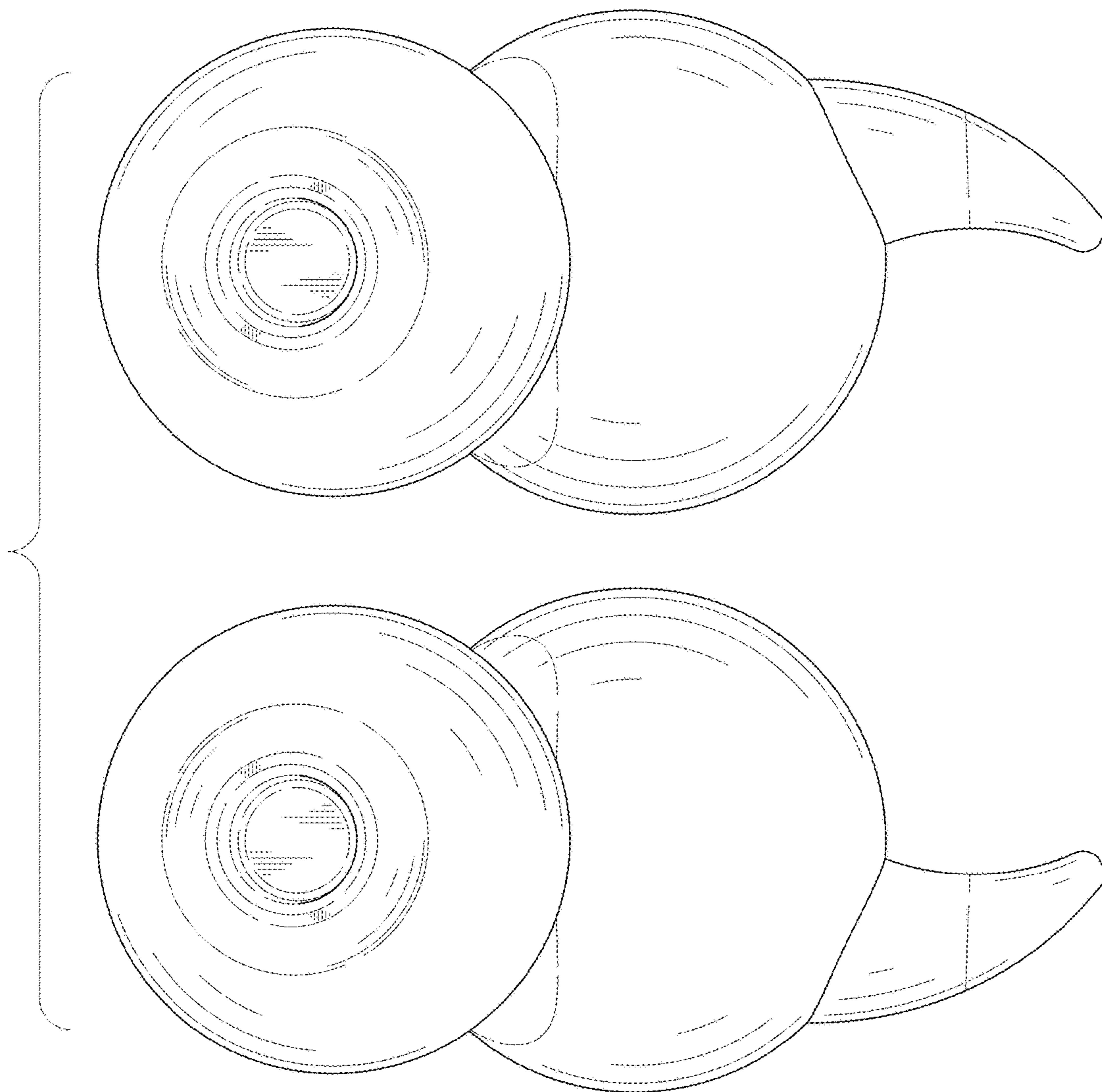


FIG. 4

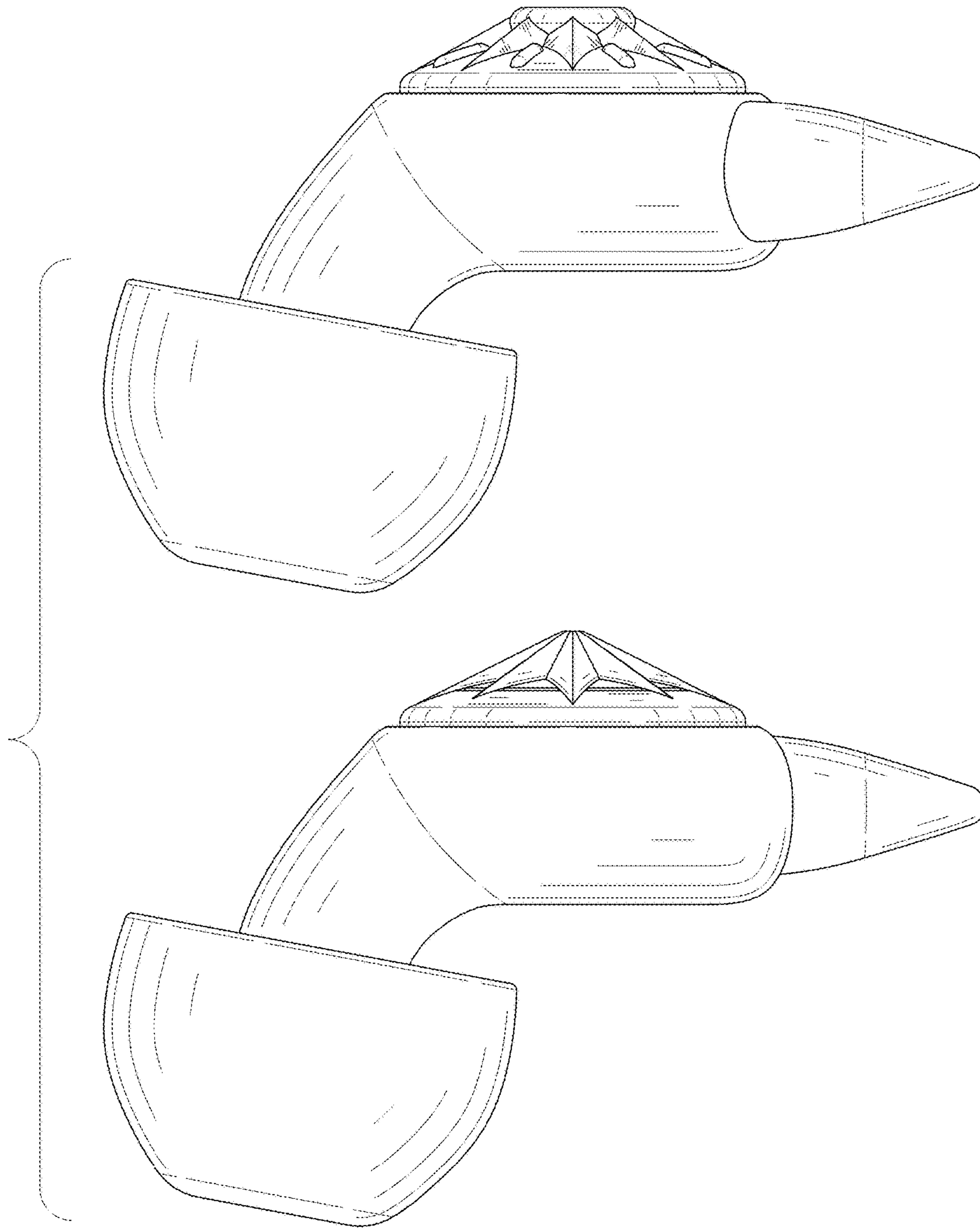


FIG. 5

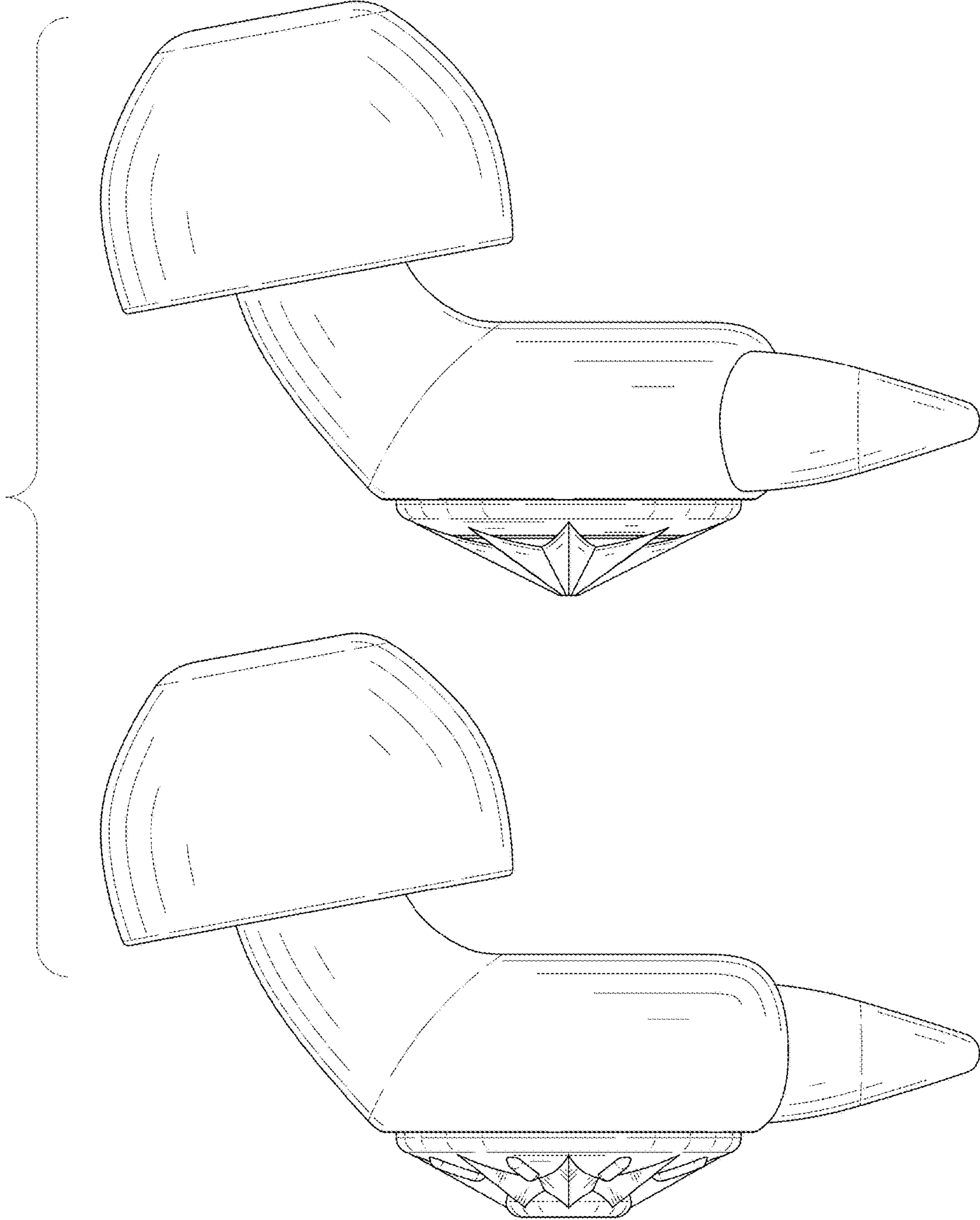


FIG. 6

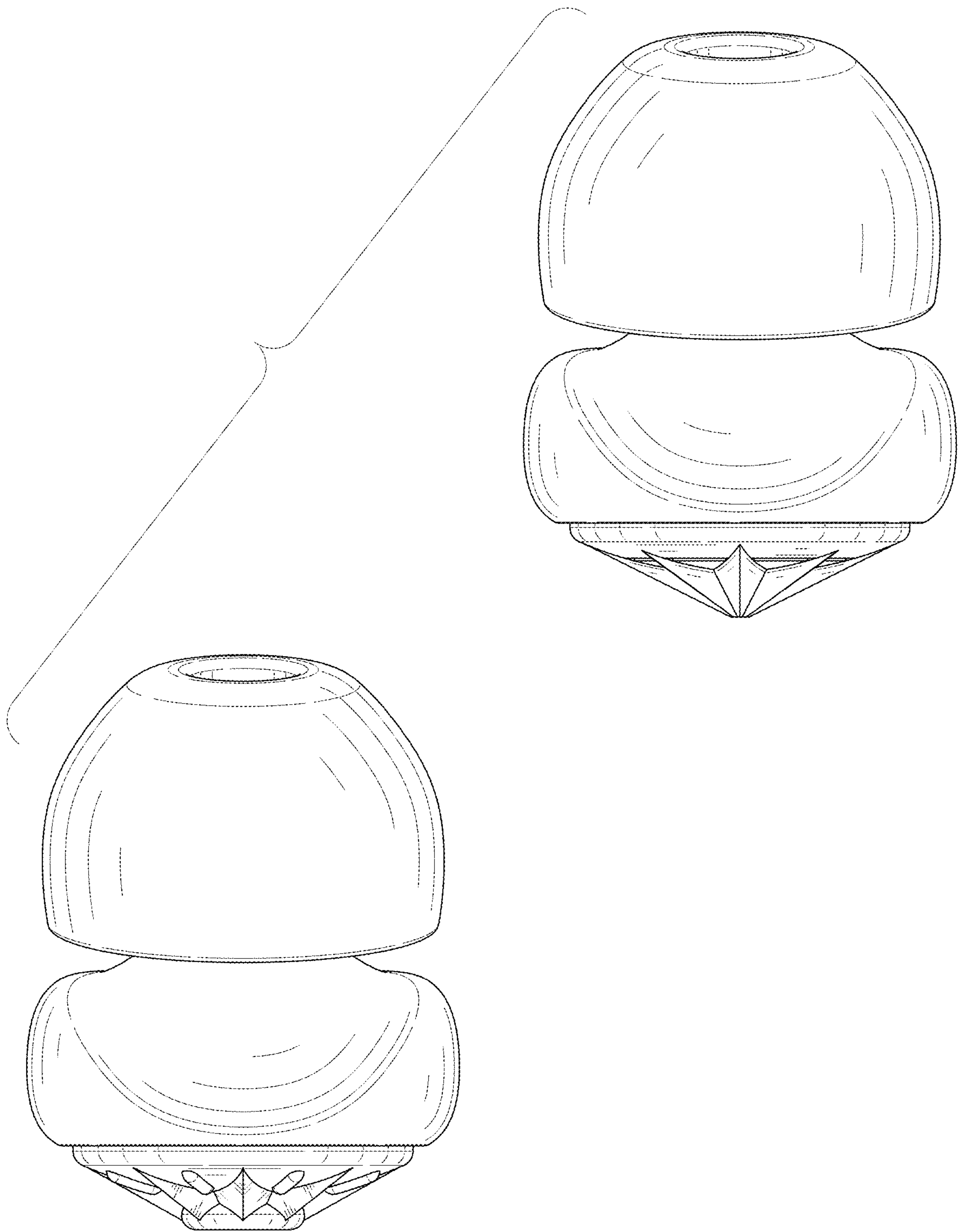


FIG. 7

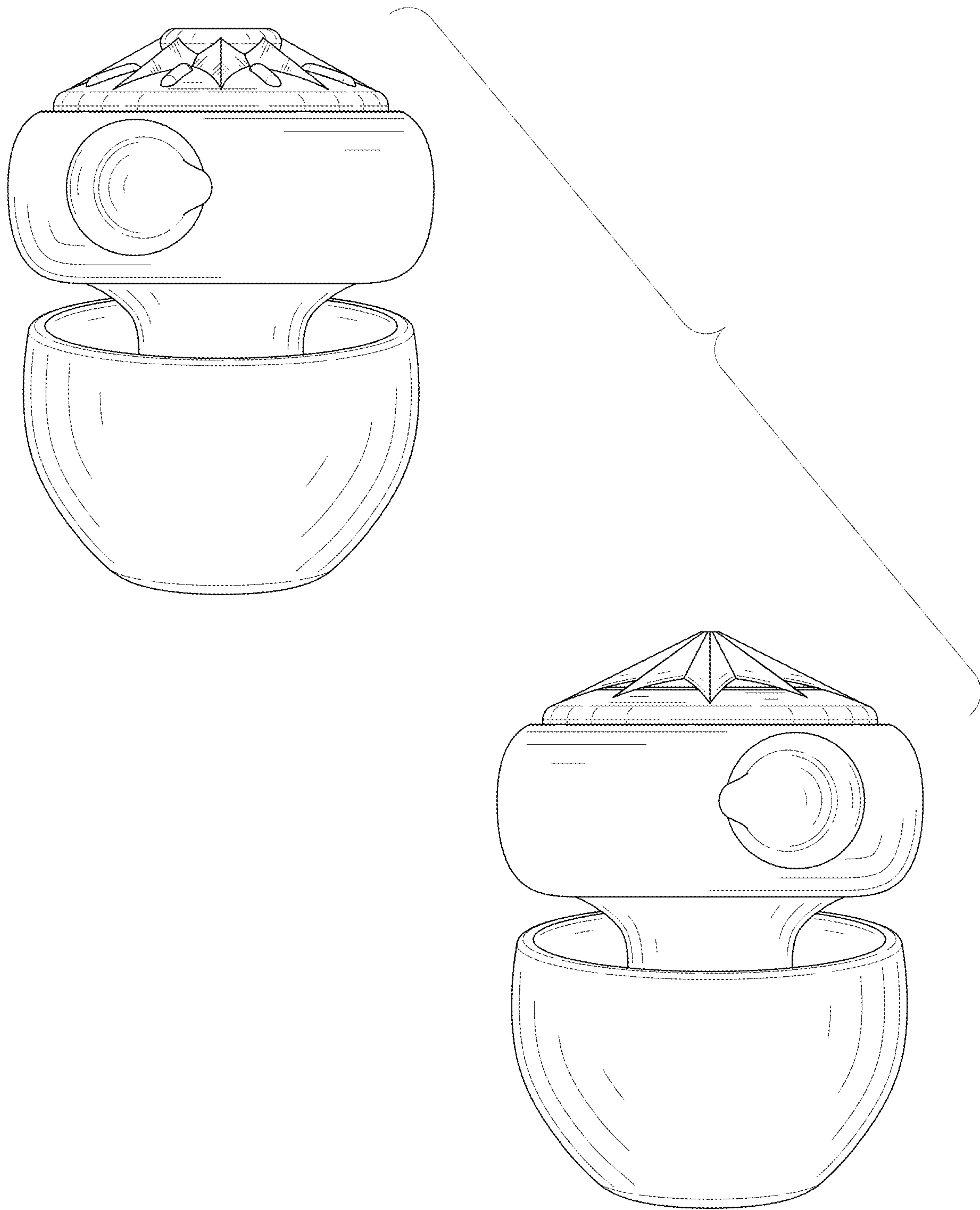


FIG. 8