



US00D967394S

(12) **United States Design Patent**
Ediger et al.

(10) **Patent No.:** **US D967,394 S**
(45) **Date of Patent:** **** Oct. 18, 2022**

(54) **FAN GRILL**

(71) Applicant: **VORNADO AIR, LLC**, Andover, KS (US)

(72) Inventors: **Glen Ediger**, North Newton, KS (US);
Brian Cartwright, Wichita, KS (US);
Gregory Pease, Andover, KS (US)

(73) Assignee: **Vornado Air, LLC**, Andover, KS (US)

(**) Term: **15 Years**

(21) Appl. No.: **29/757,769**

(22) Filed: **Nov. 9, 2020**

(51) **LOC (13) Cl.** **23-03**

(52) **U.S. Cl.**
USPC **D23/412**; D23/378; D23/382

(58) **Field of Classification Search**
USPC D23/328, 332-337, 341, 351, 352, 355,
D23/356, 364, 370, 378, 381-383,
D23/386-390, 411-412; D14/251-253;
D16/244
CPC F04D 25/0673; F04D 25/08; F04D 25/084;
F04D 25/086; F04D 29/4226
See application file for complete search history.

(56) **References Cited**

U.S. PATENT DOCUMENTS

D340,516 S *	10/1993	Too	D6/708.16
5,547,343 A *	8/1996	Jane	F04D 29/601
				416/246
D387,153 S *	12/1997	Fok	D23/382
D416,321 S *	11/1999	Jane	D23/382
D620,491 S *	7/2010	Wu	D16/244
D636,482 S *	4/2011	LeMay	D23/388
D673,204 S *	12/2012	Bae	D16/244
D754,318 S *	4/2016	Thirouin	D23/370
D827,618 S *	9/2018	Nardin	D14/224

D875,232 S *	2/2020	Ediger	D23/370
D910,160 S *	2/2021	Hsu	D23/382
D929,026 S *	8/2021	Feng	D16/244
D933,803 S *	10/2021	He	D23/382
D950,033 S *	4/2022	Peng	D23/364
D950,039 S *	4/2022	Dean	D23/382
D951,424 S *	5/2022	Chen	D23/382
D953,506 S *	5/2022	Shen	D23/364
D953,515 S *	5/2022	Hong	D23/378
D953,516 S *	5/2022	Chen	D23/382
2014/0346687 A1 *	11/2014	Wozniak	F04D 29/601
				415/60
2020/0072411 A1 *	3/2020	Chen	G03B 17/561
2021/0062822 A1 *	3/2021	Manchester	F04D 25/084

* cited by examiner

Primary Examiner — Sharon S Oum

(74) *Attorney, Agent, or Firm* — Avyno Law P.C.

(57) **CLAIM**

We claim the ornamental design for a fan grill, as shown and described.

DESCRIPTION

FIG. 1 is a front perspective view of a fan grill of the present invention.

FIG. 2 is a rear perspective view of a fan grill of the present invention.

FIG. 3 is a front elevation view of the fan grill of FIG. 1.

FIG. 4 is a rear elevation view of the fan grill of FIG. 1.

FIG. 5 is a side elevation view of the right side of the fan grill of FIG. 1.

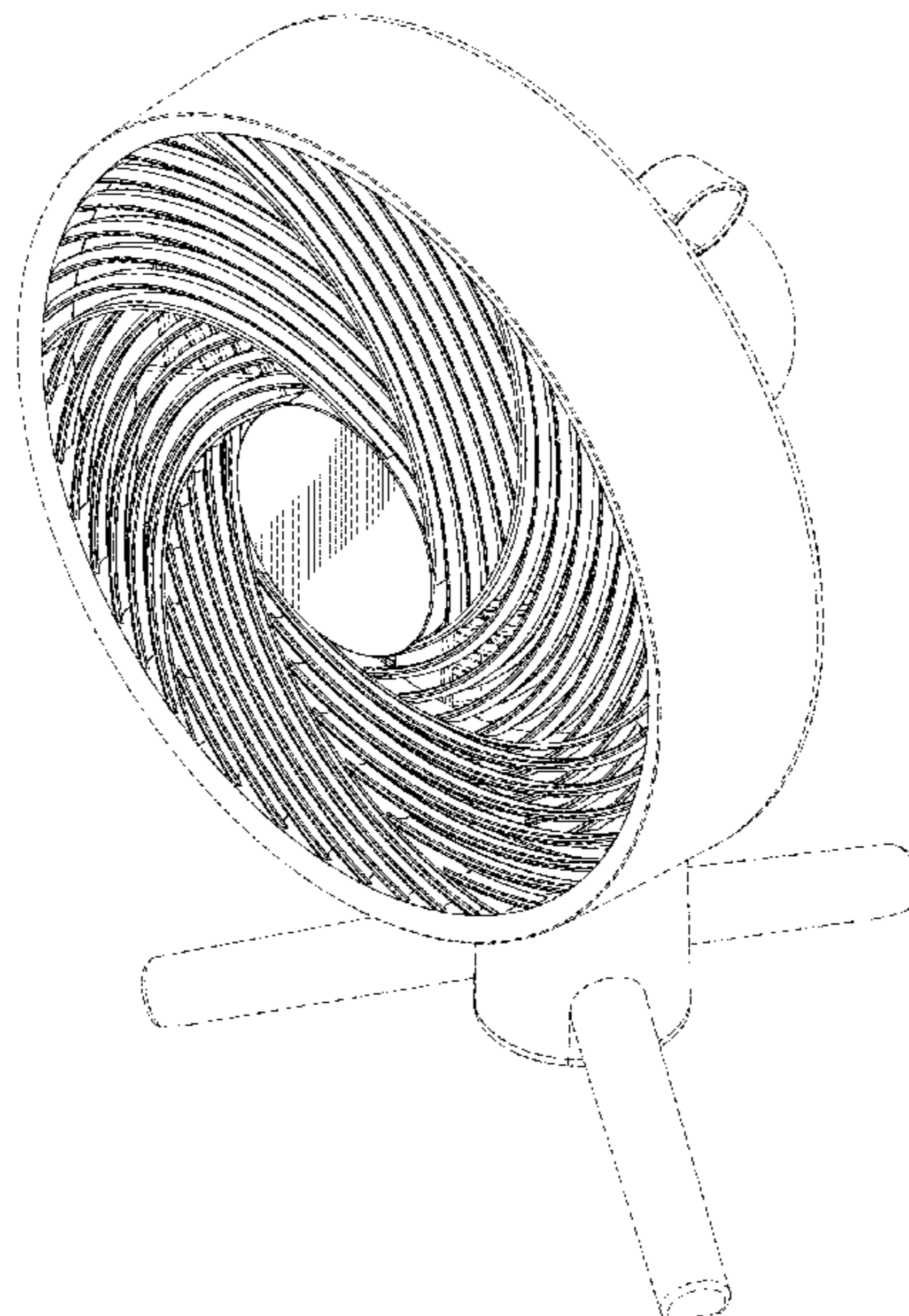
FIG. 6 is a side elevation view of the left side of the fan grill of FIG. 1.

FIG. 7 is a top plan view of the fan grill of FIG. 1; and,

FIG. 8 is a bottom plan view of the fan grill of FIG. 1.

In the drawings, the broken lines depict portions of the fan grill and environment that form no part of the claimed design.

1 Claim, 7 Drawing Sheets



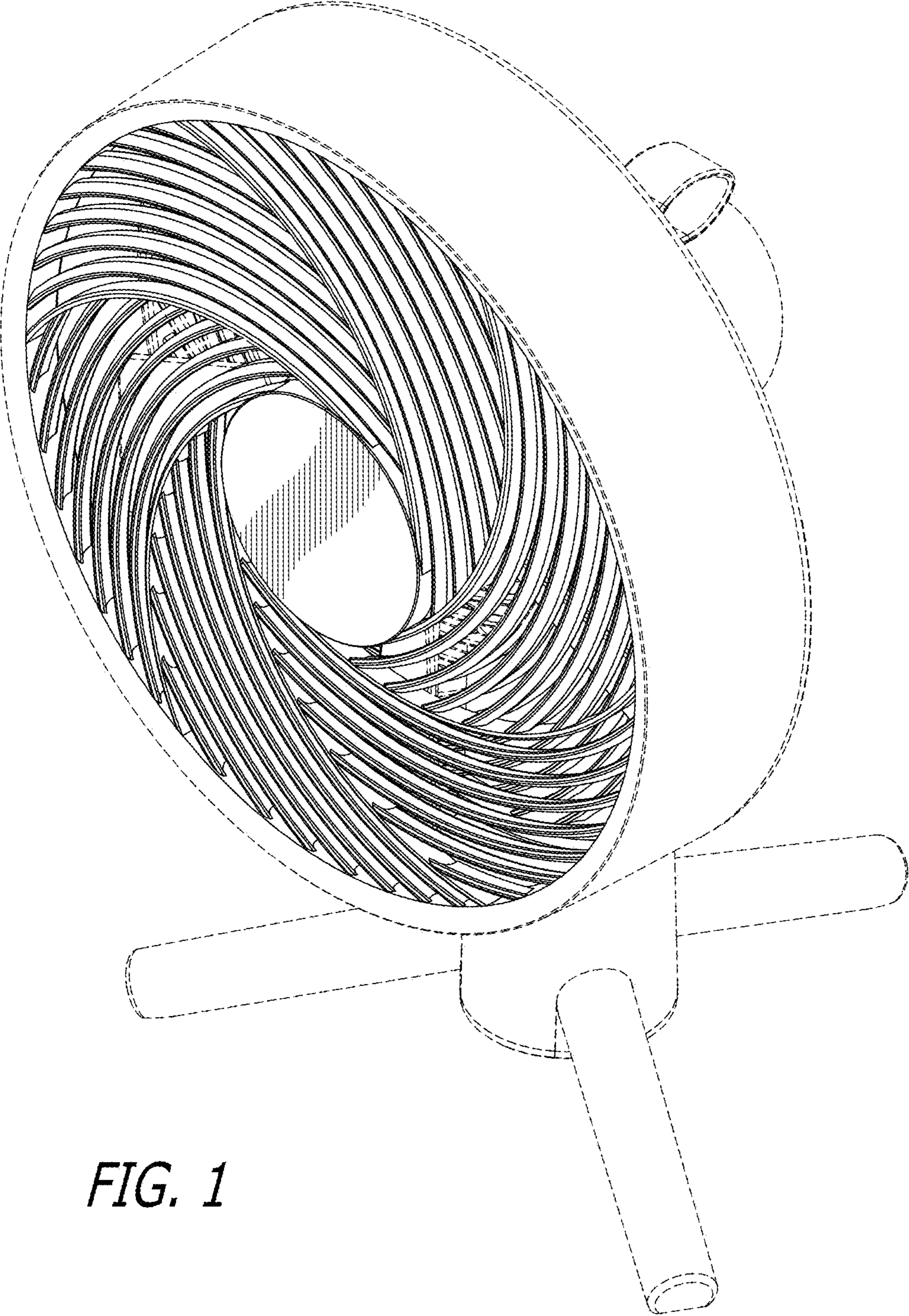


FIG. 1

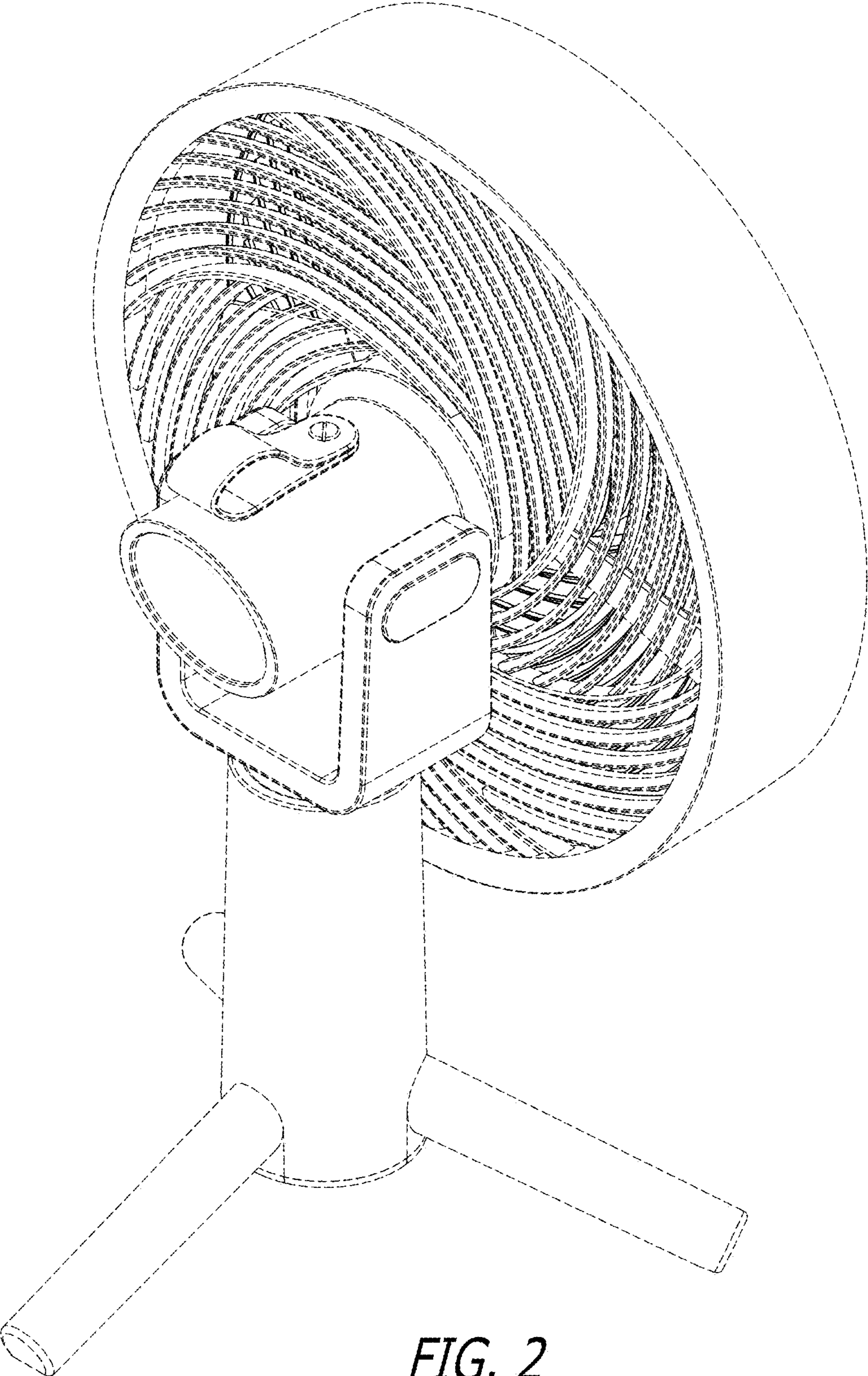


FIG. 2

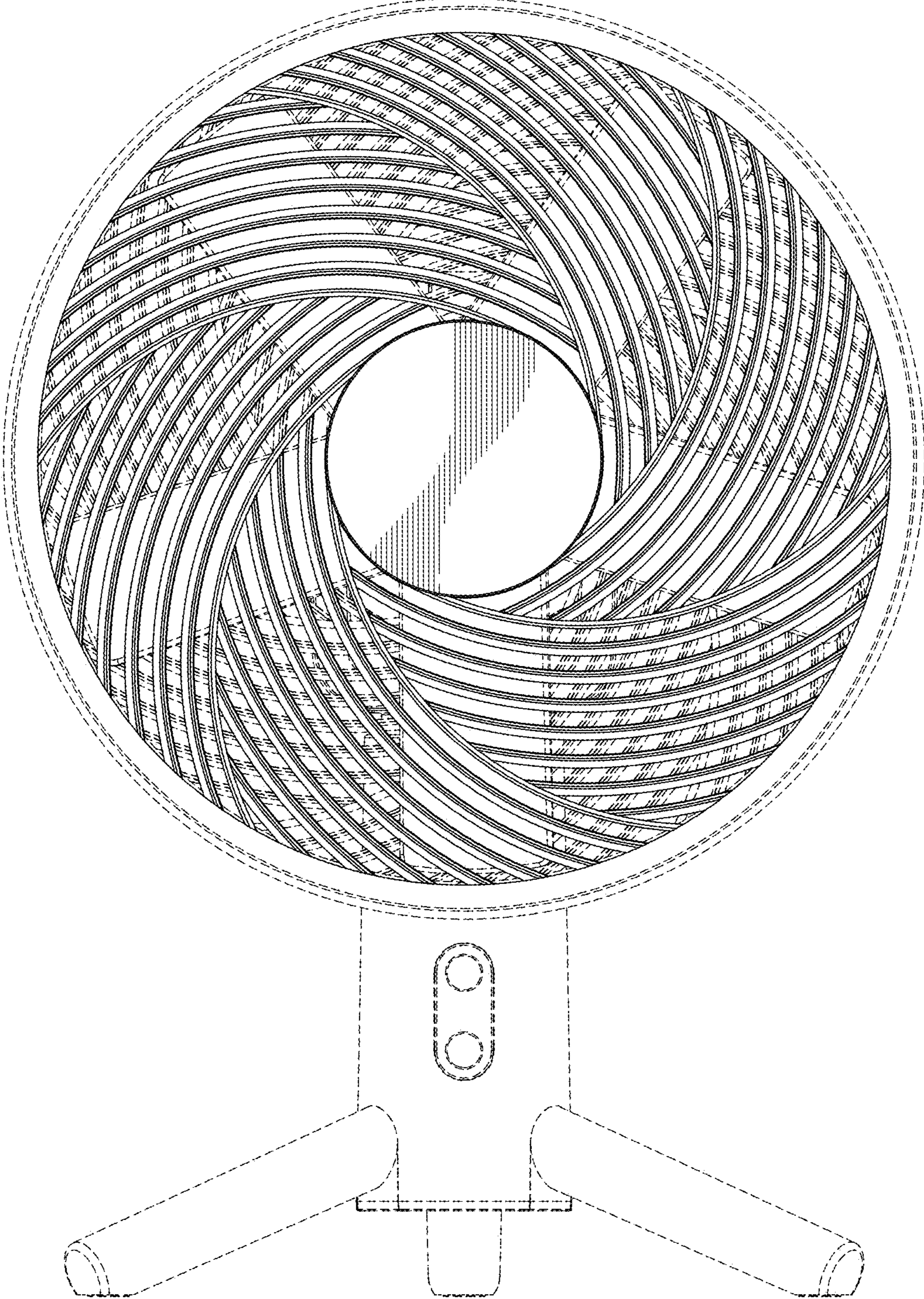


FIG. 3

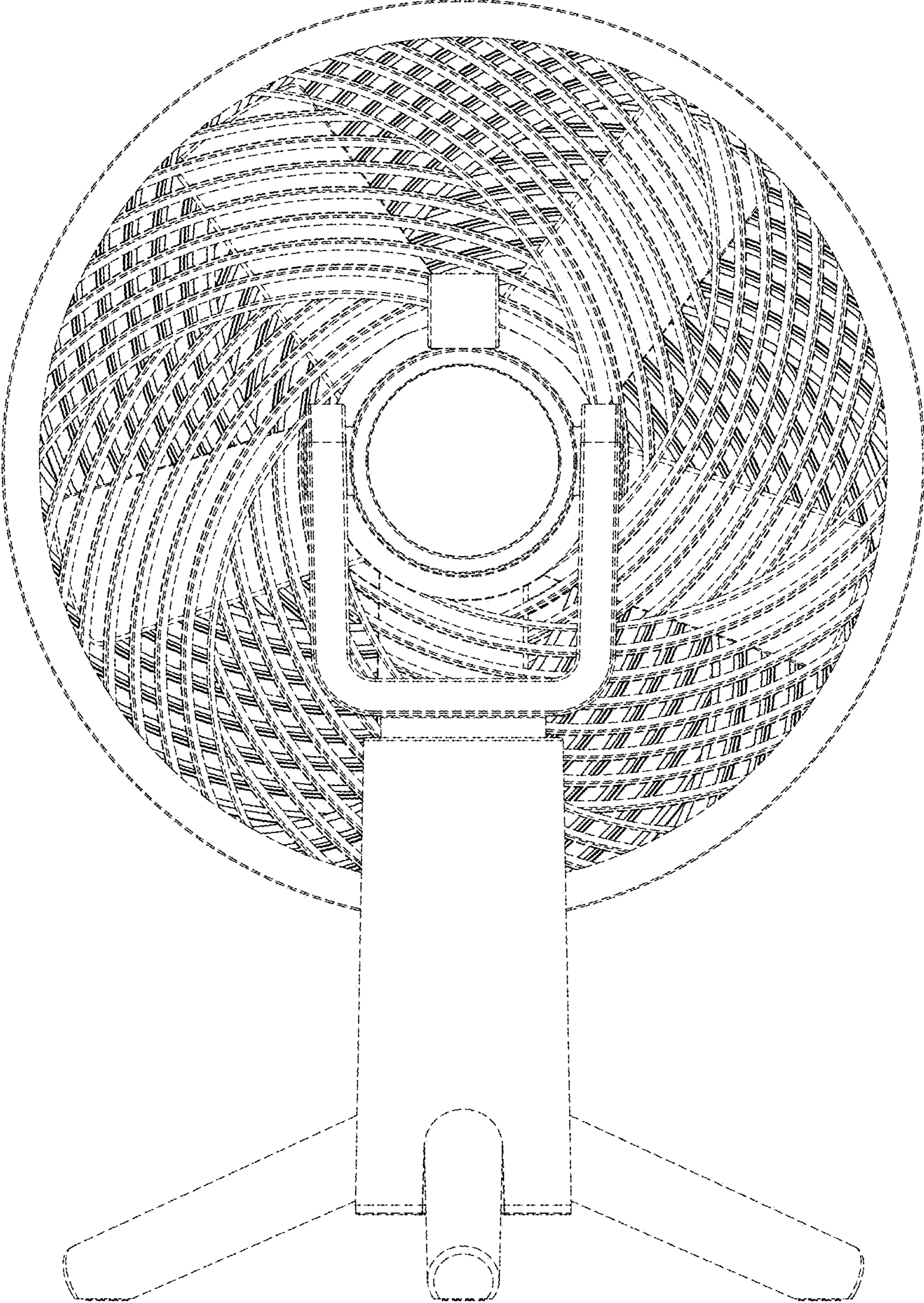


FIG. 4

FIG. 5

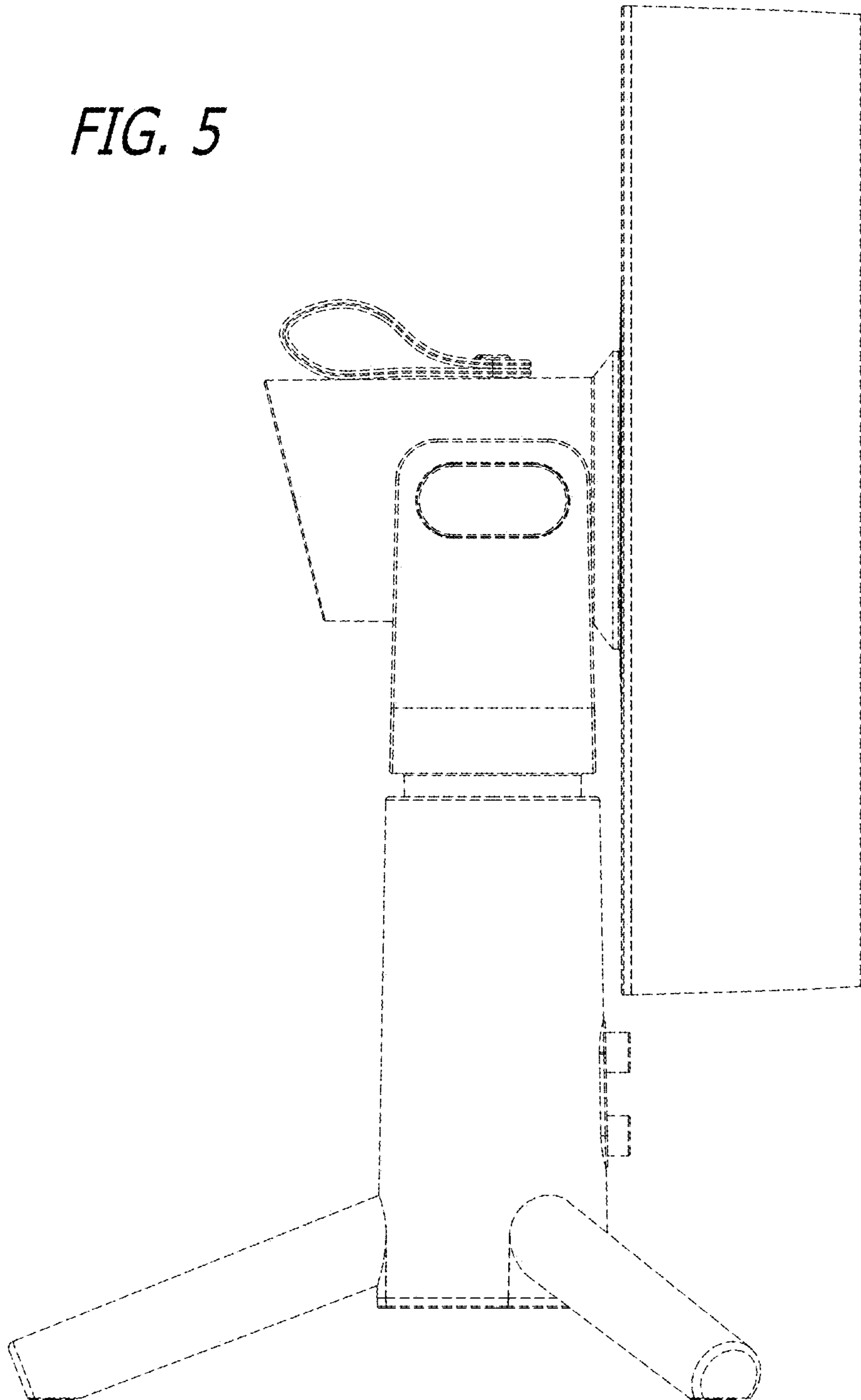


FIG. 6

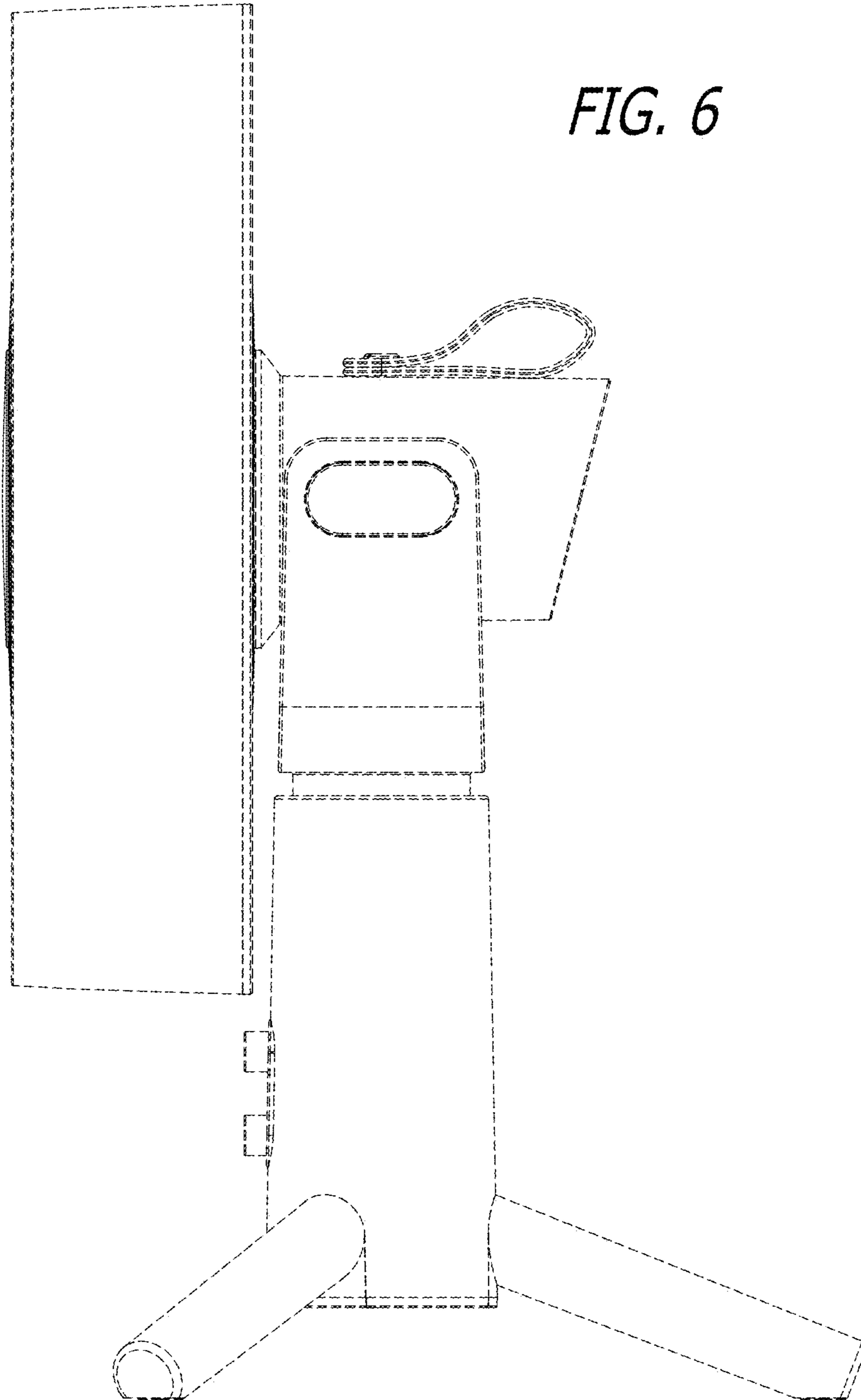


FIG. 7

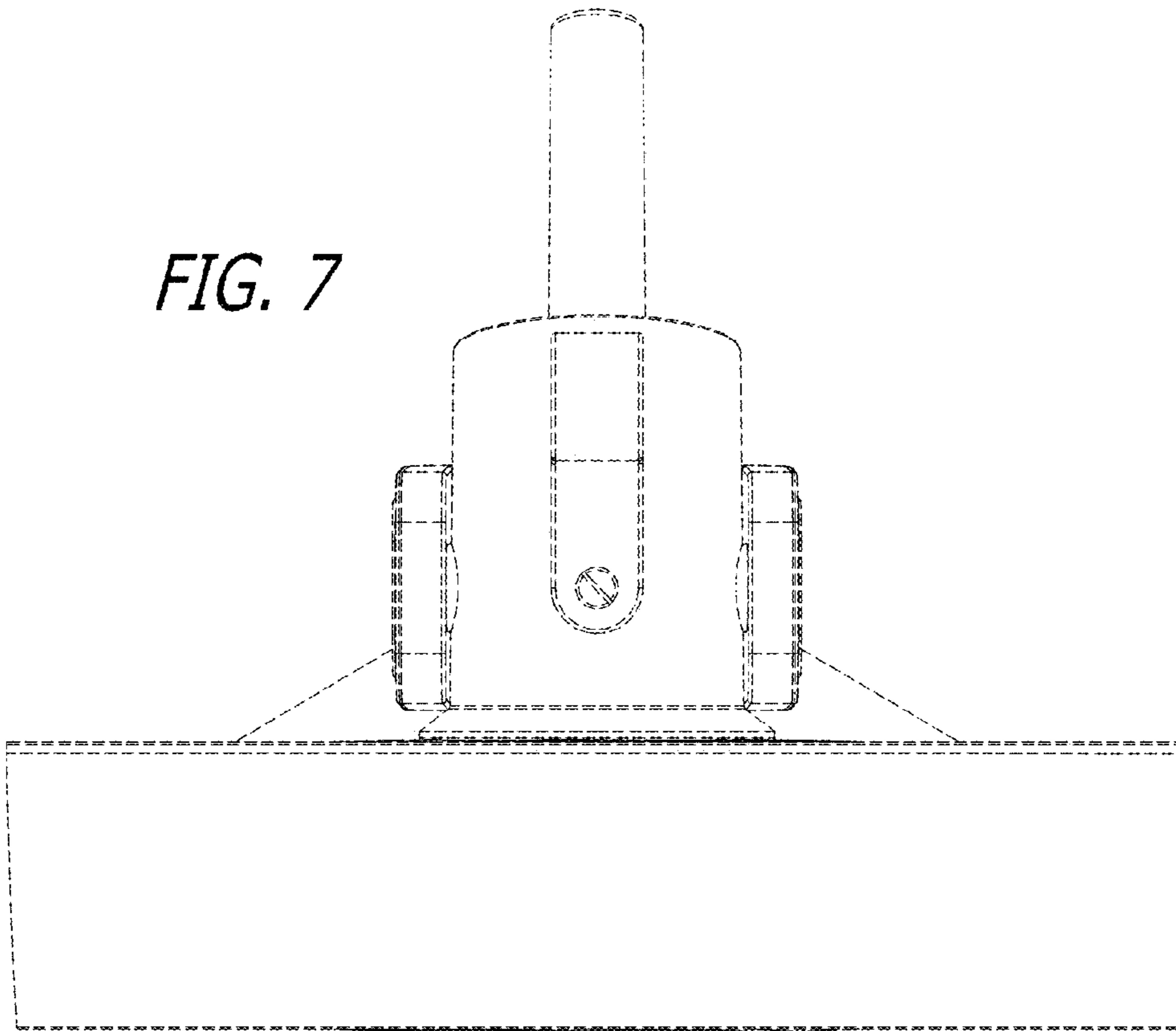


FIG. 8

