



US00D967393S

(12) **United States Design Patent**
Pease et al.

(10) **Patent No.:** **US D967,393 S**
(45) **Date of Patent:** **** Oct. 18, 2022**

(54) **FAN BASE**

(71) Applicant: **VORNADO AIR, LLC**, Andover, KS (US)

(72) Inventors: **Gregory Pease**, Andover, KS (US);
Brian Cartwright, Wichita, KS (US);
Cooper Phillips, Wichita, KS (US);
Byron Loibl, Wichita, KS (US)

(73) Assignee: **Vornado Air, LLC**, Andover, KS (US)

(**) Term: **15 Years**

(21) Appl. No.: **29/757,782**

(22) Filed: **Nov. 10, 2020**

(51) **LOC (13) Cl.** **23-03**

(52) **U.S. Cl.**

USPC **D23/411; D23/382**

(58) **Field of Classification Search**

USPC D23/328, 332-337, 341, 351, 352, 355,
D23/356, 364, 370, 378, 381-383,
D23/386-390, 411-412; D14/251-253

CPC F04D 25/0673; F04D 25/08; F04D 25/084;
F04D 25/086; F04D 29/4226

See application file for complete search history.

(56) **References Cited**

U.S. PATENT DOCUMENTS

D325,777 S *	4/1992	Cook	D23/382
5,547,343 A *	8/1996	Jane	F04D 29/601
				416/246
D416,321 S *	11/1999	Jane	D23/382
D636,482 S *	4/2011	LeMay	D23/388
D716,787 S *	11/2014	Takabatake	D14/423
D764,406 S *	8/2016	Uchida	D13/108
D844,690 S *	4/2019	Laurans	D16/244
D861,002 S *	9/2019	Bergeron-Mirsky	D6/675.3

D885,555 S *	5/2020	Wang	D23/382
D902,374 S *	11/2020	Li	D23/382
D929,986 S *	9/2021	Chen	D14/253
D933,803 S *	10/2021	He	D23/382
D940,294 S *	1/2022	Park	D23/382
D950,033 S *	4/2022	Peng	D23/364
D951,424 S *	5/2022	Chen	D23/382
D952,117 S *	5/2022	Gao	D23/370
D952,118 S *	5/2022	Gao	D23/370
D953,515 S *	5/2022	Hong	D23/378
D953,516 S *	5/2022	Chen	D23/382
2021/0062822 A1 *	3/2021	Manchester	F04D 25/084

* cited by examiner

Primary Examiner — Sharon S Oum

(74) *Attorney, Agent, or Firm* — Avyno Law P.C.

(57) **CLAIM**

We claim the ornamental design for a fan base, as shown and described.

DESCRIPTION

FIG. 1 is a front perspective view of a fan base of the present invention.

FIG. 2 is a rear perspective view of a fan base of the present invention.

FIG. 3 is a front elevation view of the fan base of FIG. 1.

FIG. 4 is a rear elevation view of the fan base of FIG. 1.

FIG. 5 is a side elevation view of the right side of the fan base of FIG. 1.

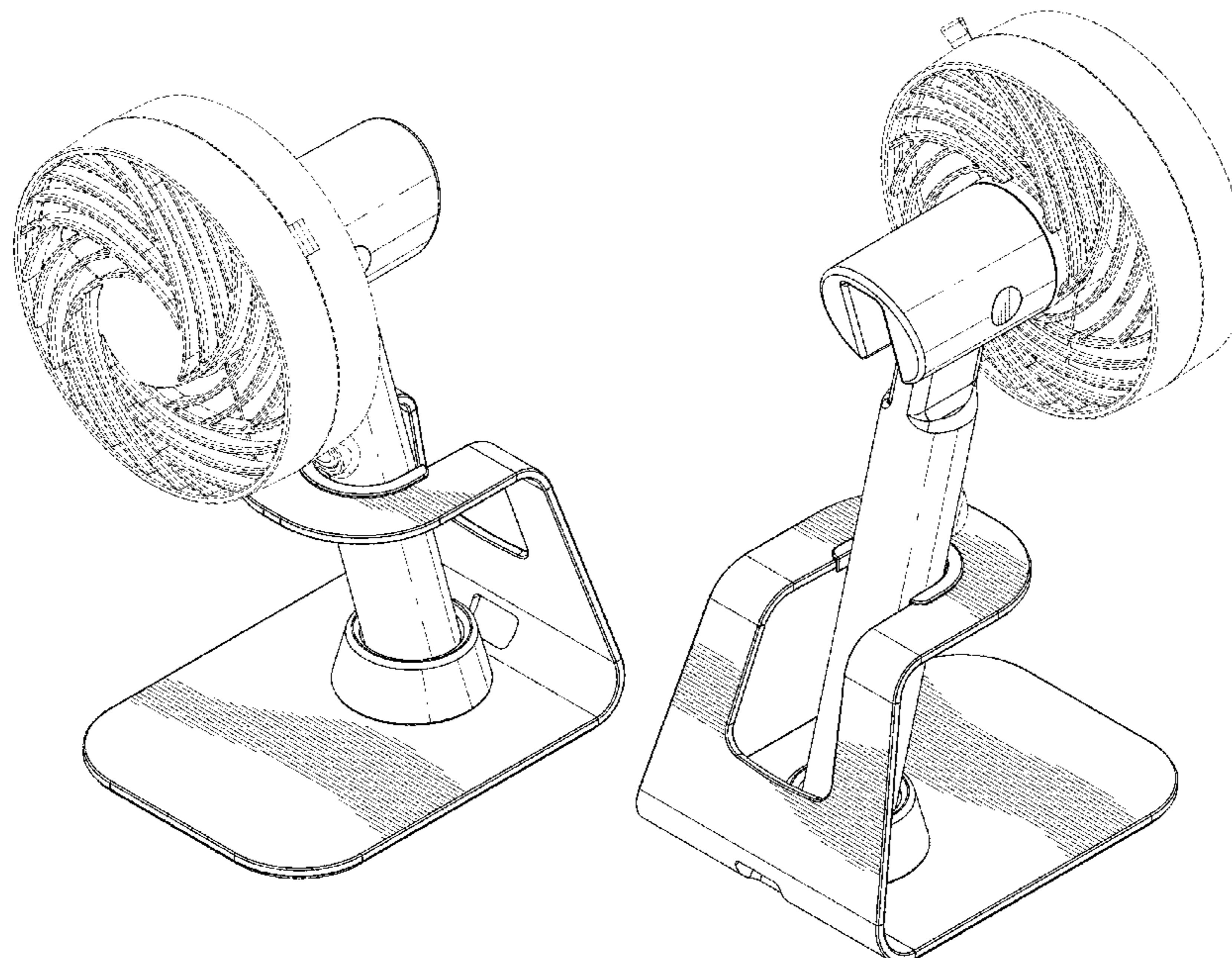
FIG. 6 is a side elevation view of the left side of the fan base of FIG. 1.

FIG. 7 is a top plan view of the fan base of FIG. 1; and,

FIG. 8 is a bottom plan view of the fan base of FIG. 1.

In the drawings, the broken lines depict portions of the fan base and environment that form no part of the claimed design.

1 Claim, 7 Drawing Sheets



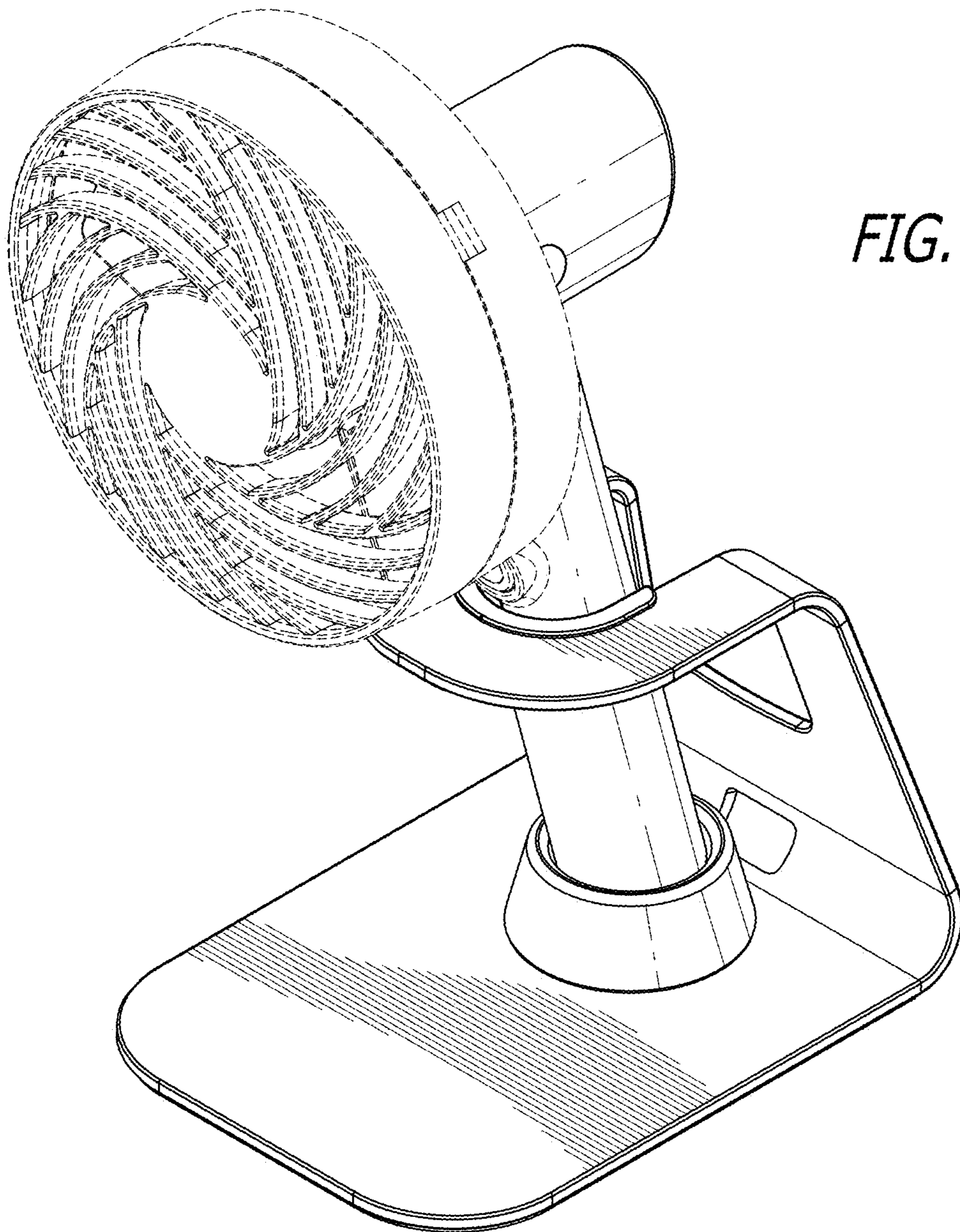
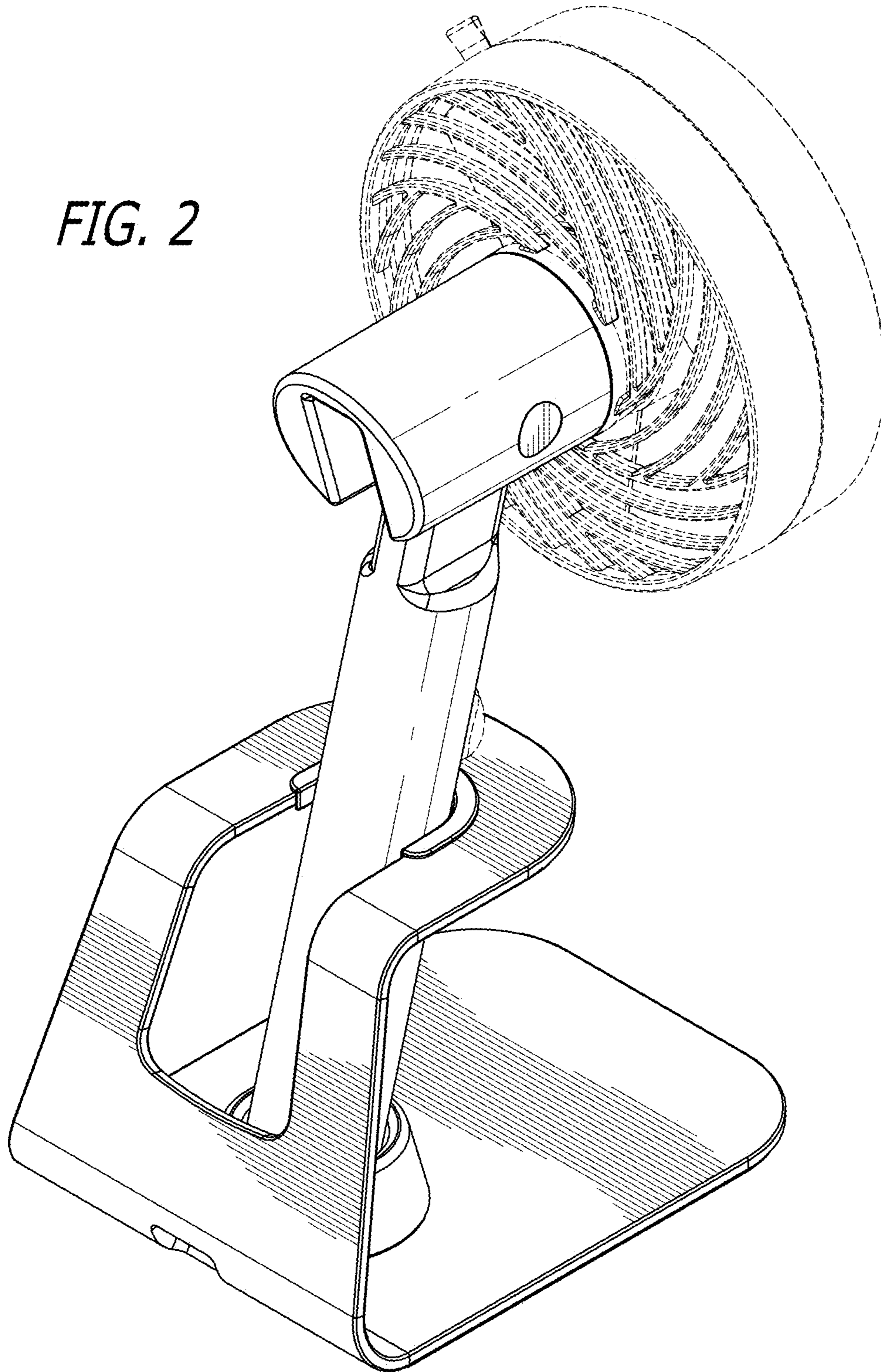


FIG. 1

FIG. 2



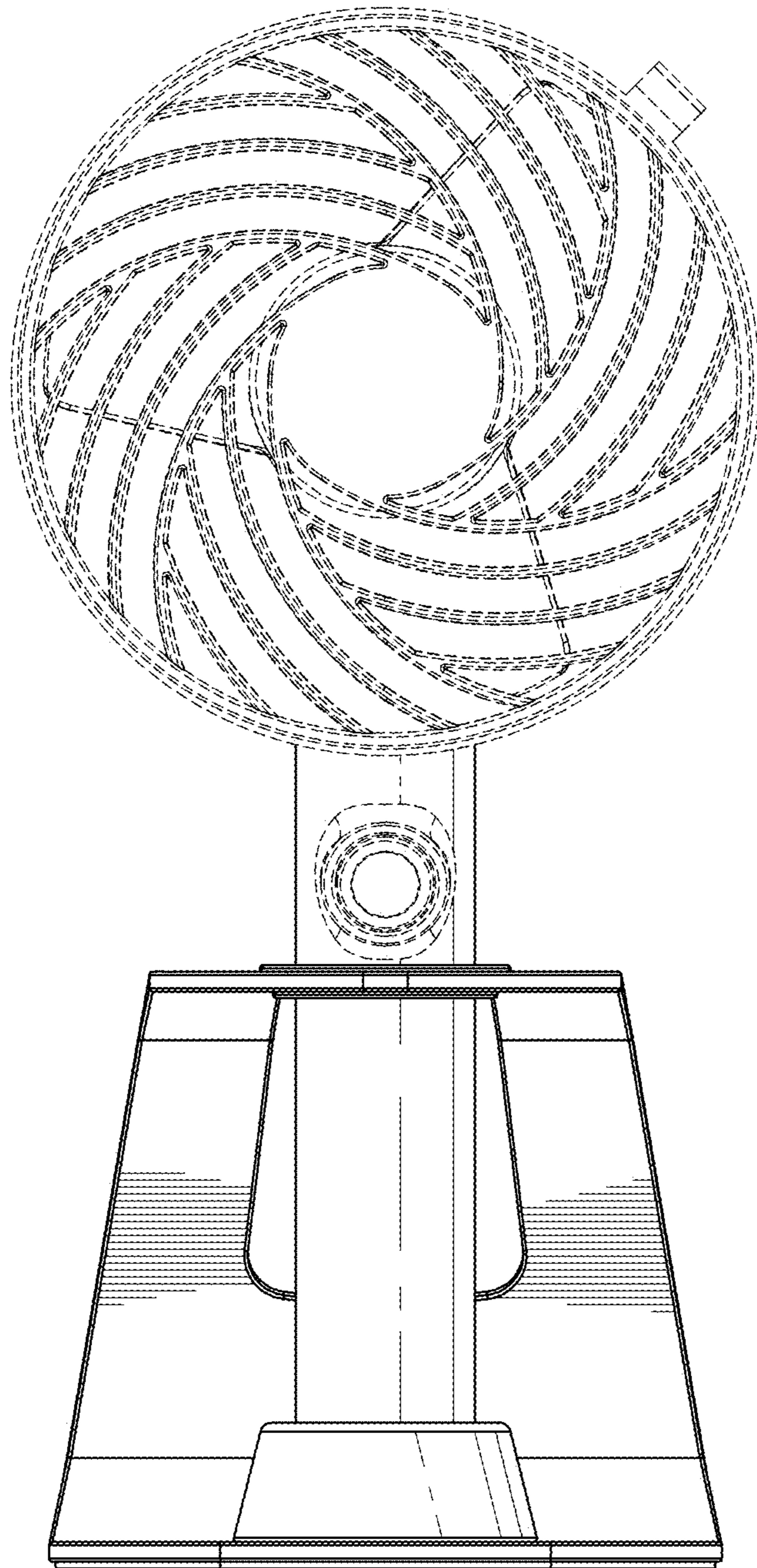


FIG. 3

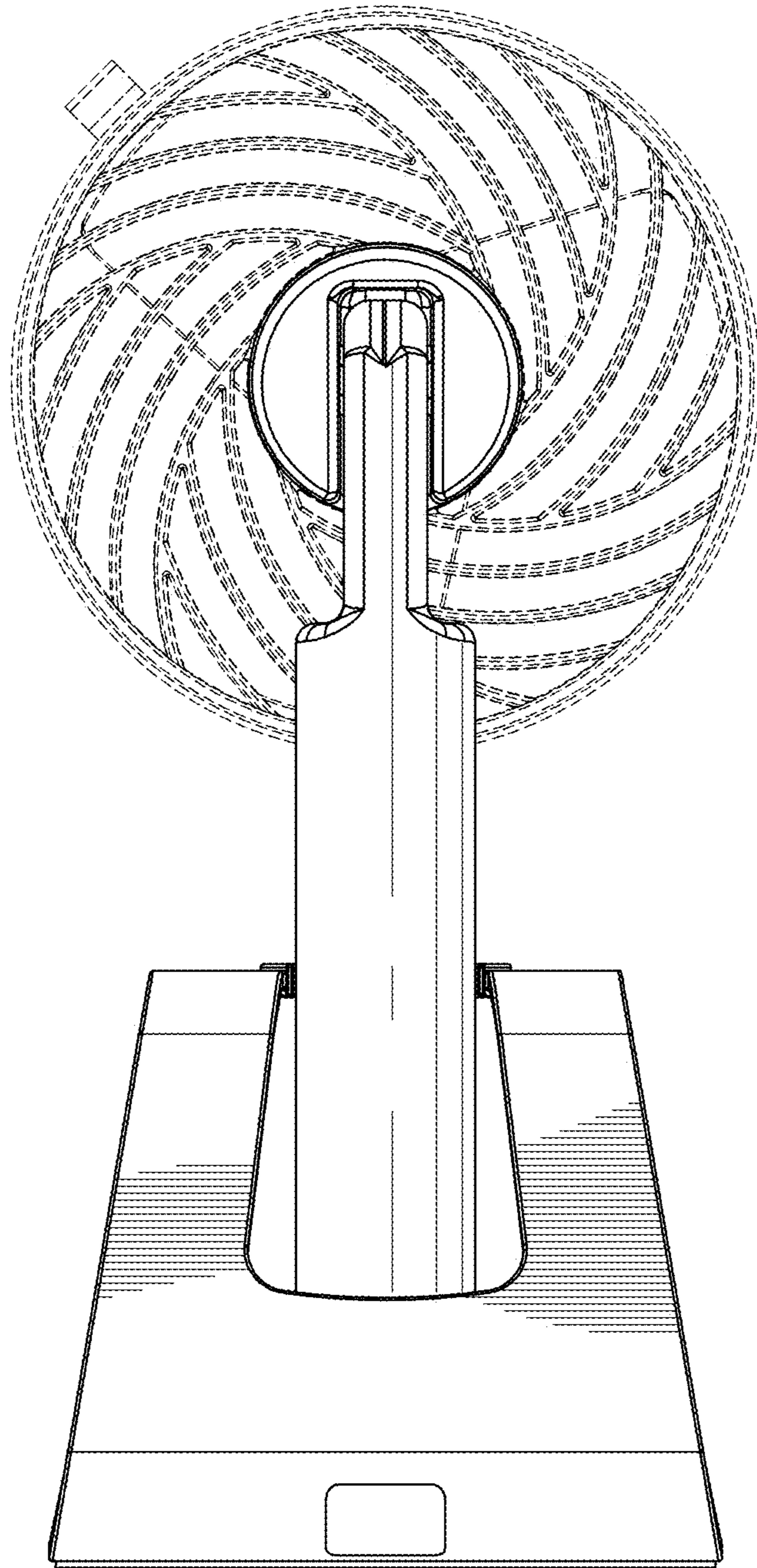


FIG. 4

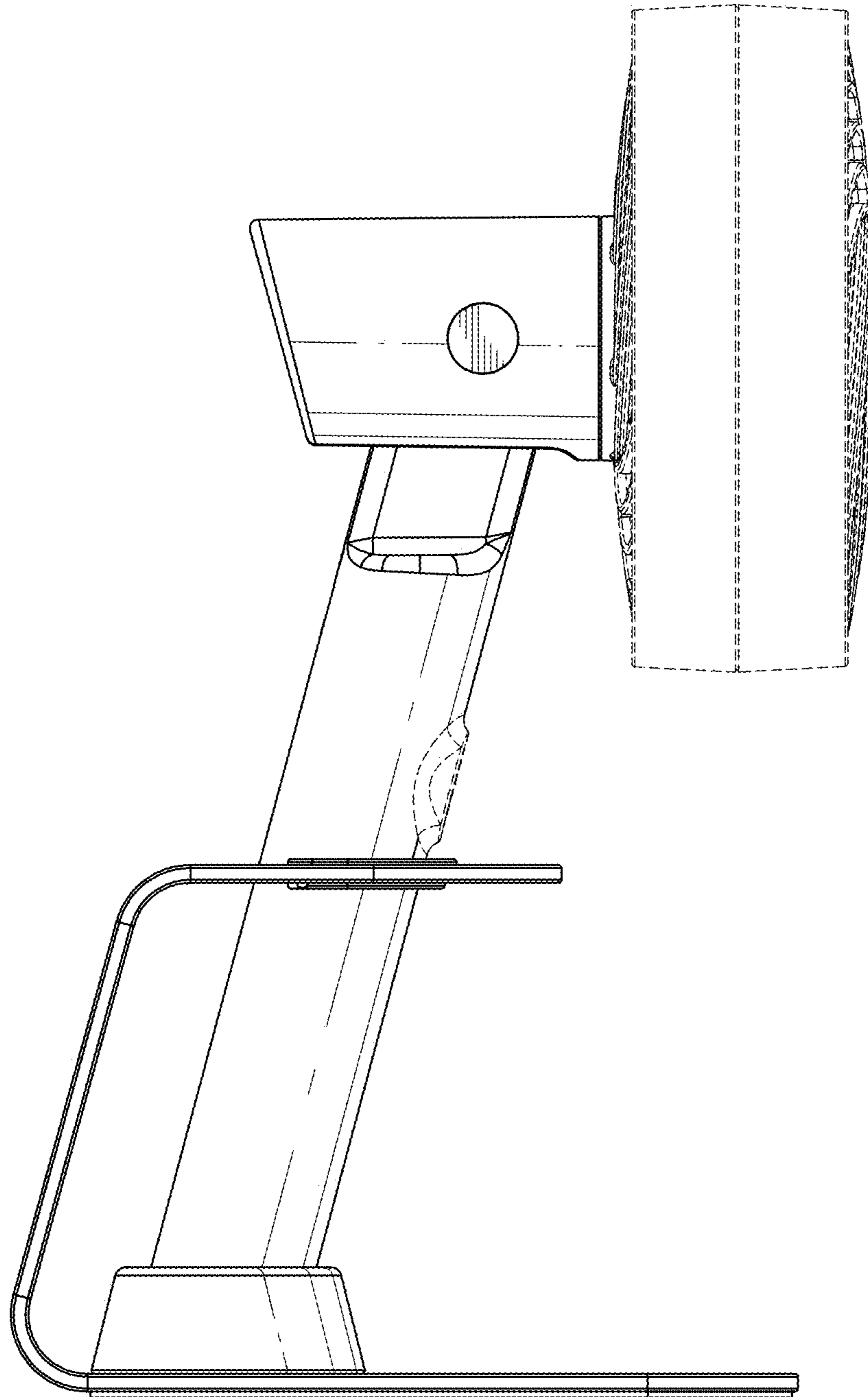


FIG. 5

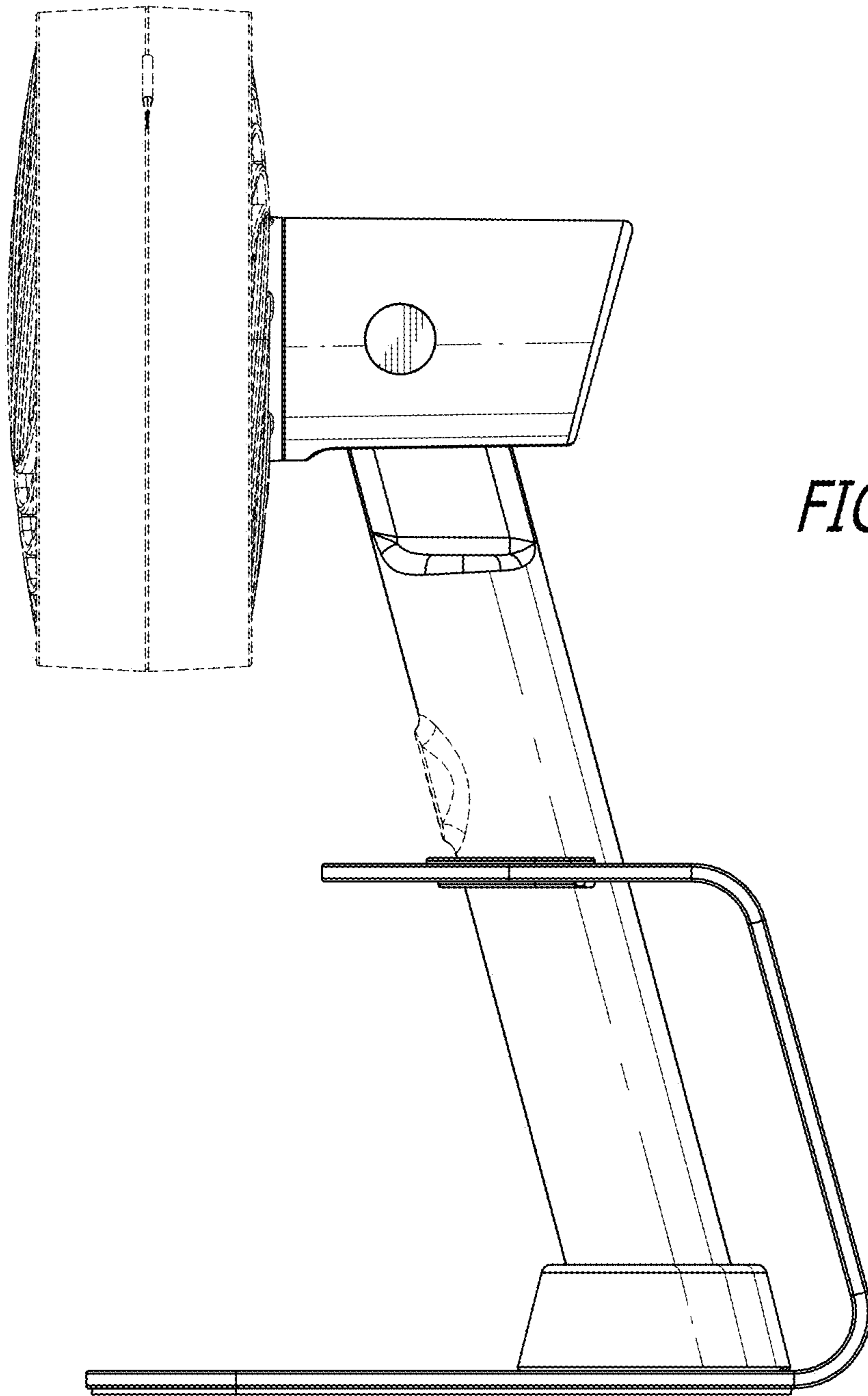


FIG. 6

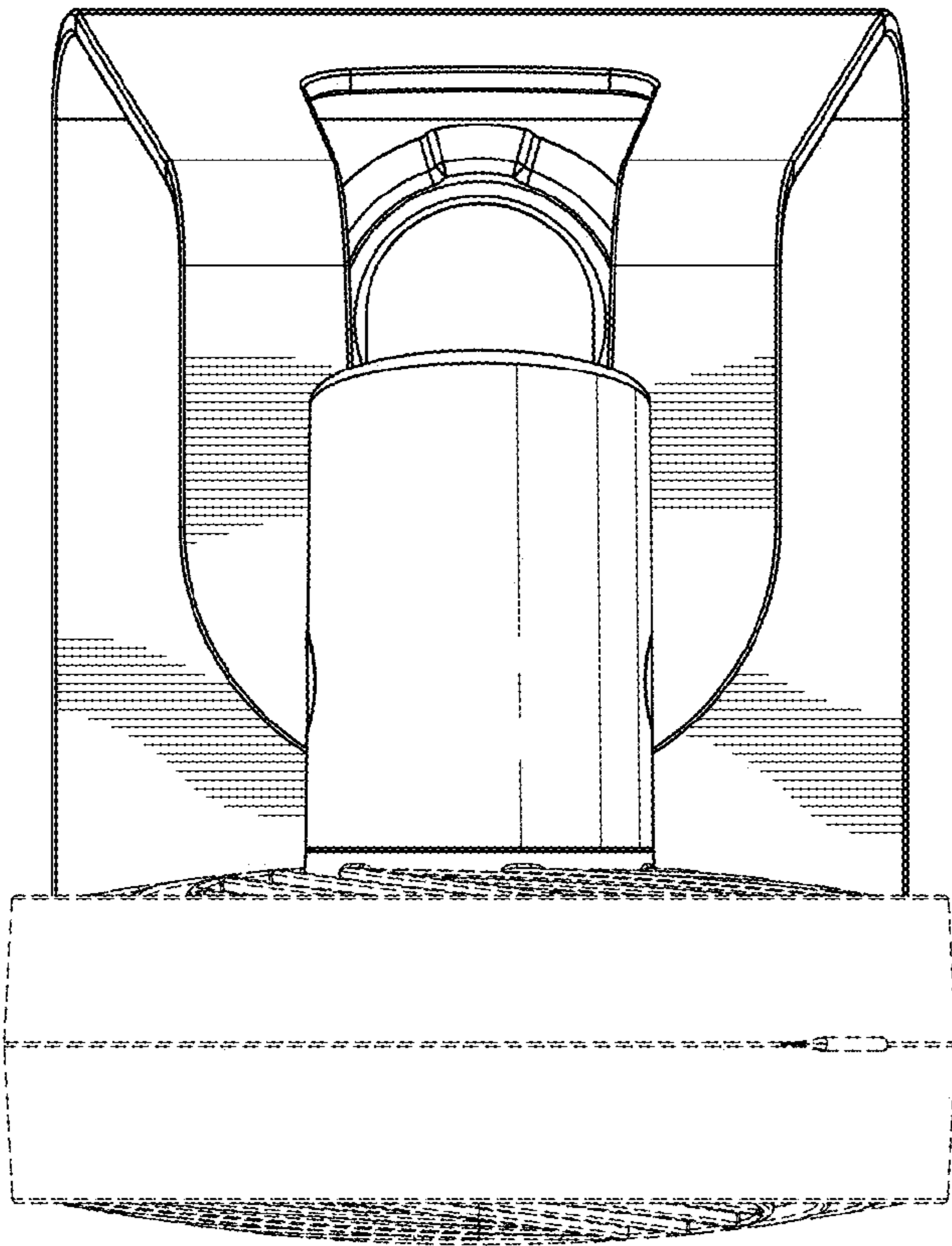


FIG. 7

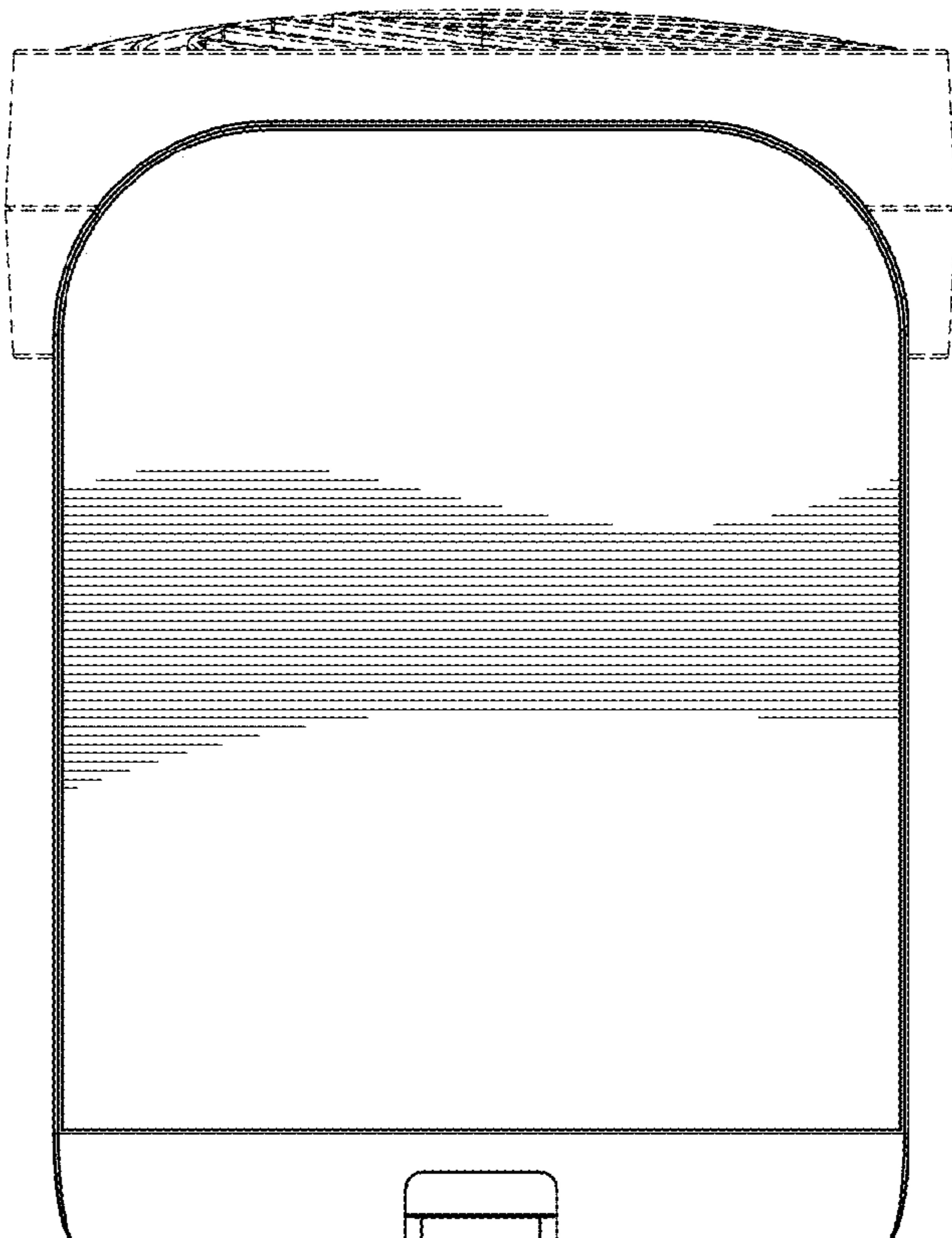


FIG. 8