



US00D967391S

(12) **United States Design Patent**
Lin

(10) **Patent No.:** **US D967,391 S**

(45) **Date of Patent:** **** Oct. 18, 2022**

(54) **FAN**

(71) Applicant: **Zhongshan xiyou electronic technology co., ltd, Zhongshan (CN)**

(72) Inventor: **Xiuyan Lin, Puning (CN)**

(**) Term: **15 Years**

(21) Appl. No.: **29/803,510**

(22) Filed: **Aug. 13, 2021**

(51) **LOC (13) Cl.** **23-04**

(52) **U.S. Cl.**
USPC **D23/382**

(58) **Field of Classification Search**
USPC D23/328, 332, 333, 335, 342, 355, 356,
D23/359, 360, 370, 377, 381-383, 385,
D23/411

CPC F24F 2006/146; F24F 2006/008; F24F
2221/38; F24F 2221/125; F24F 6/12;
F24F 3/14; B05B 3/022; Y10S 261/43
See application file for complete search history.

(56) **References Cited**

U.S. PATENT DOCUMENTS

D480,466 S	*	10/2003	Bucher	D23/382
D482,438 S	*	11/2003	Barker	D23/382
D483,468 S	*	12/2003	Wong	D23/382
D594,545 S	*	6/2009	Blateri	D23/382
D674,888 S	*	1/2013	Kawase	D23/370
D686,309 S	*	7/2013	Kokawa	D23/382
D783,796 S		4/2017	Badarello et al.		

D842,448 S	*	3/2019	Ma	D23/382
D845,465 S	*	4/2019	Cui	D23/382
D875,235 S	*	2/2020	Coleman	D23/382
D887,542 S	*	6/2020	Youngblutt	D23/382
D893,698 S	*	8/2020	Lin	D23/381
D919,075 S	*	5/2021	Lin	D23/381
D921,180 S		6/2021	McRoberts		
D921,181 S		6/2021	Haggar		
D945,592 S	*	3/2022	Mo	D23/382
D952,122 S	*	5/2022	He	D23/382
D952,124 S	*	5/2022	He	D23/382
D952,125 S	*	5/2022	He	D23/382
2022/0080437 A1	*	3/2022	Zhong	F04D 29/705

* cited by examiner

Primary Examiner — Janice Hallmark

(57) **CLAIM**

The ornamental design for a fan, as shown and described.

DESCRIPTION

FIG. 1 is a first perspective view of a fan showing my new design;

FIG. 2 is a second perspective view thereof;

FIG. 3 is a front view thereof;

FIG. 4 is a back view thereof;

FIG. 5 is a left side view thereof;

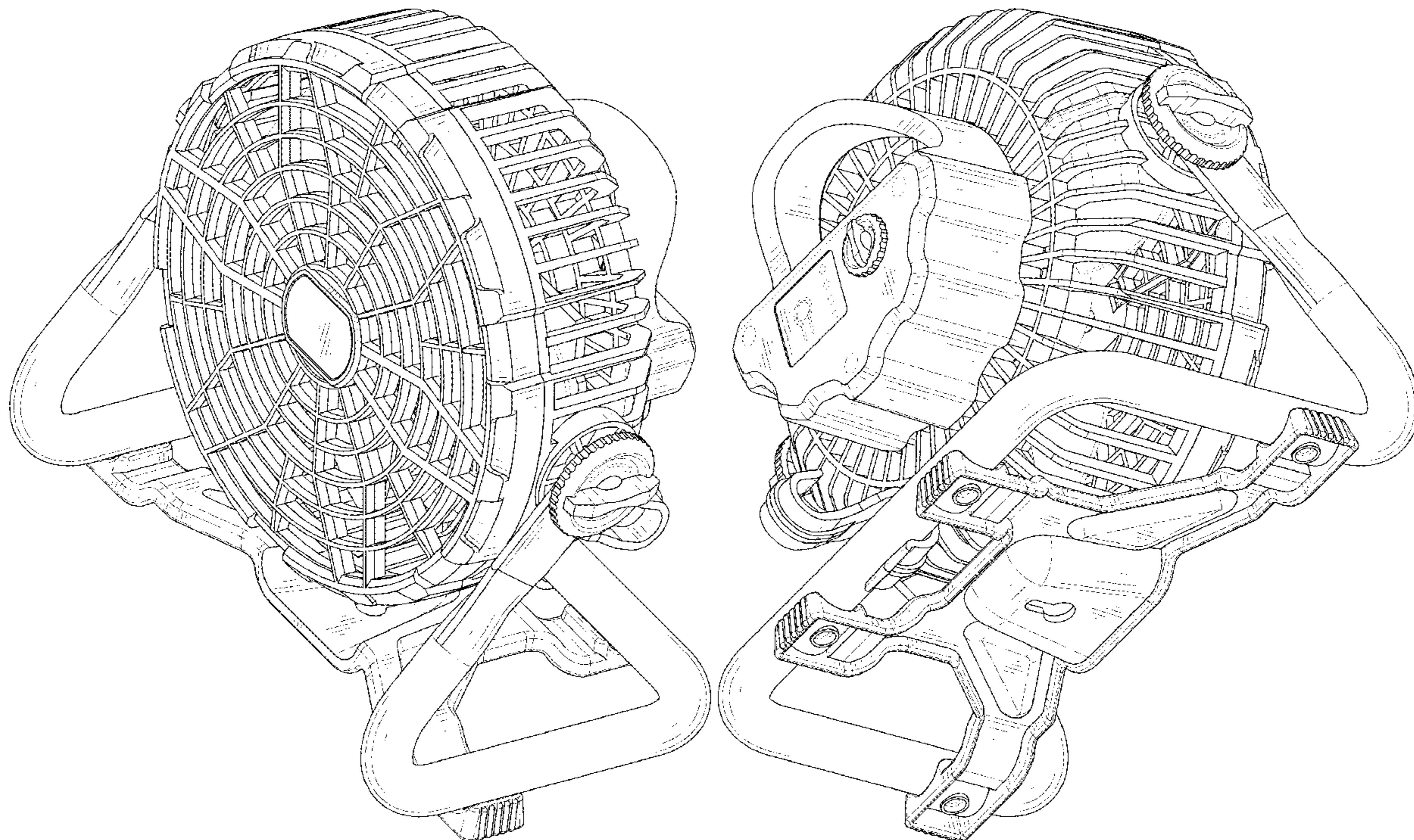
FIG. 6 is a right side view thereof;

FIG. 7 is a top view thereof; and,

FIG. 8 is a bottom view thereof.

The broken lines shown in the drawings depict portions of the fan in which the design is embodied that form no part of the claimed design.

1 Claim, 8 Drawing Sheets



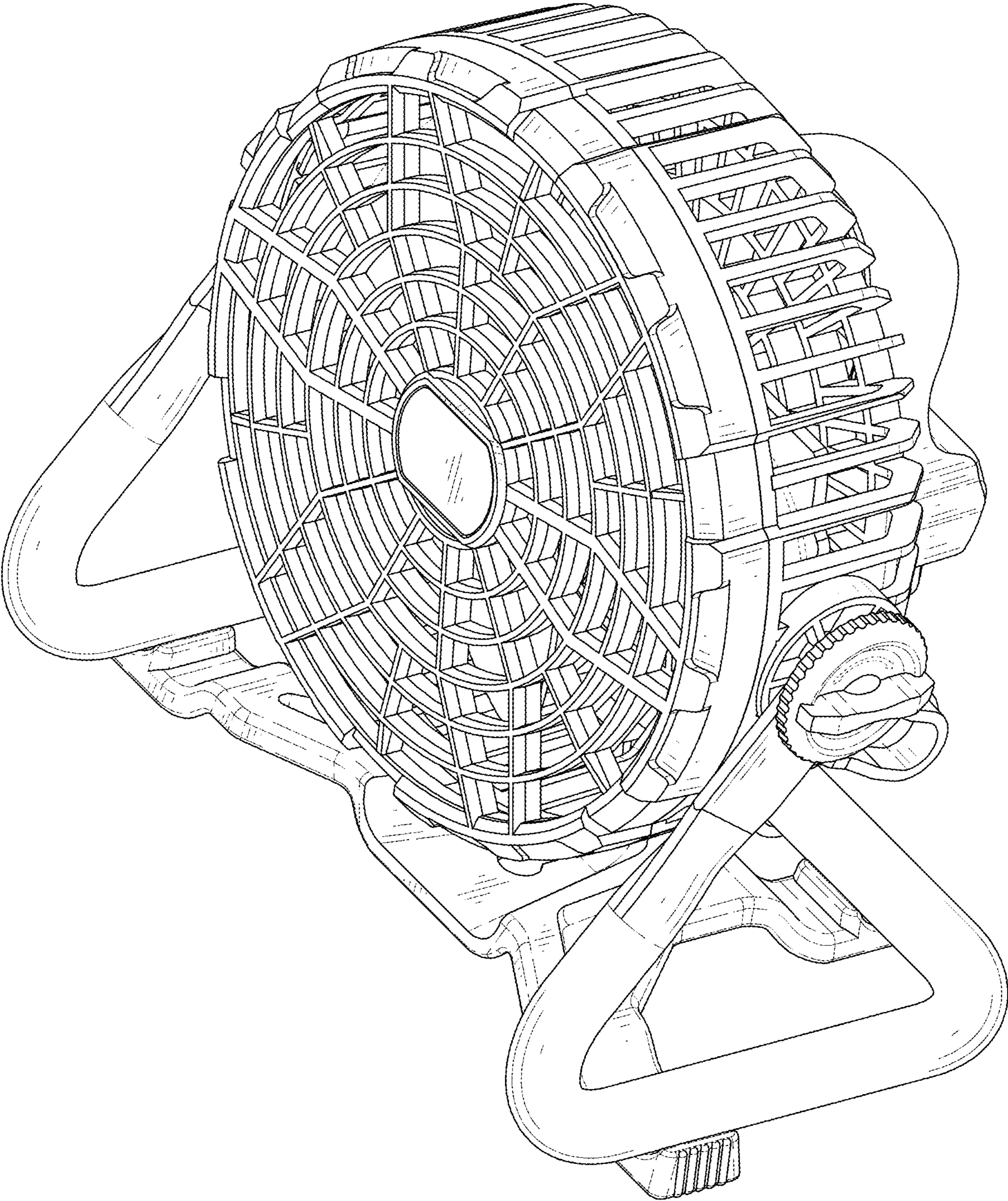


FIG. 1

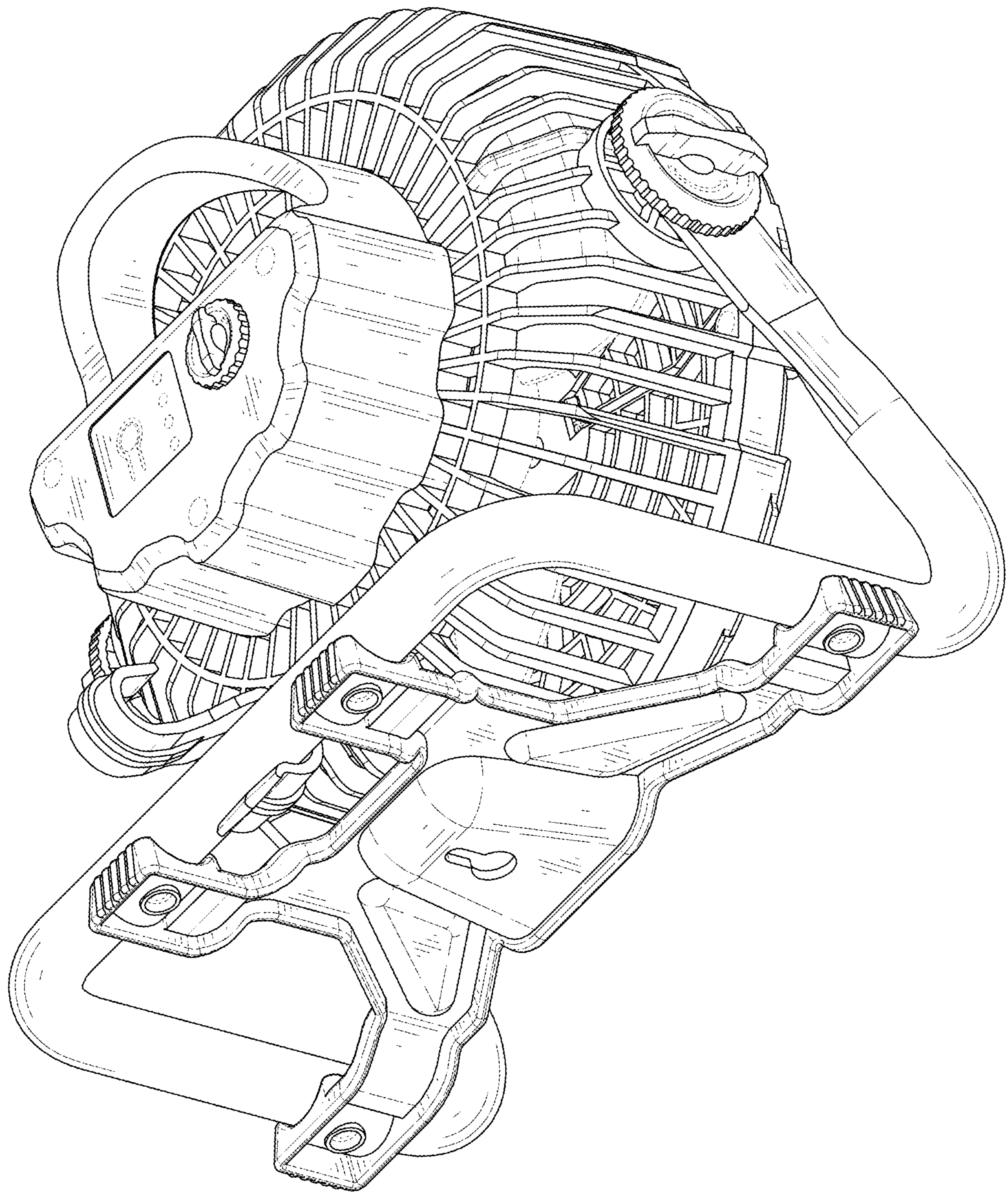


FIG. 2

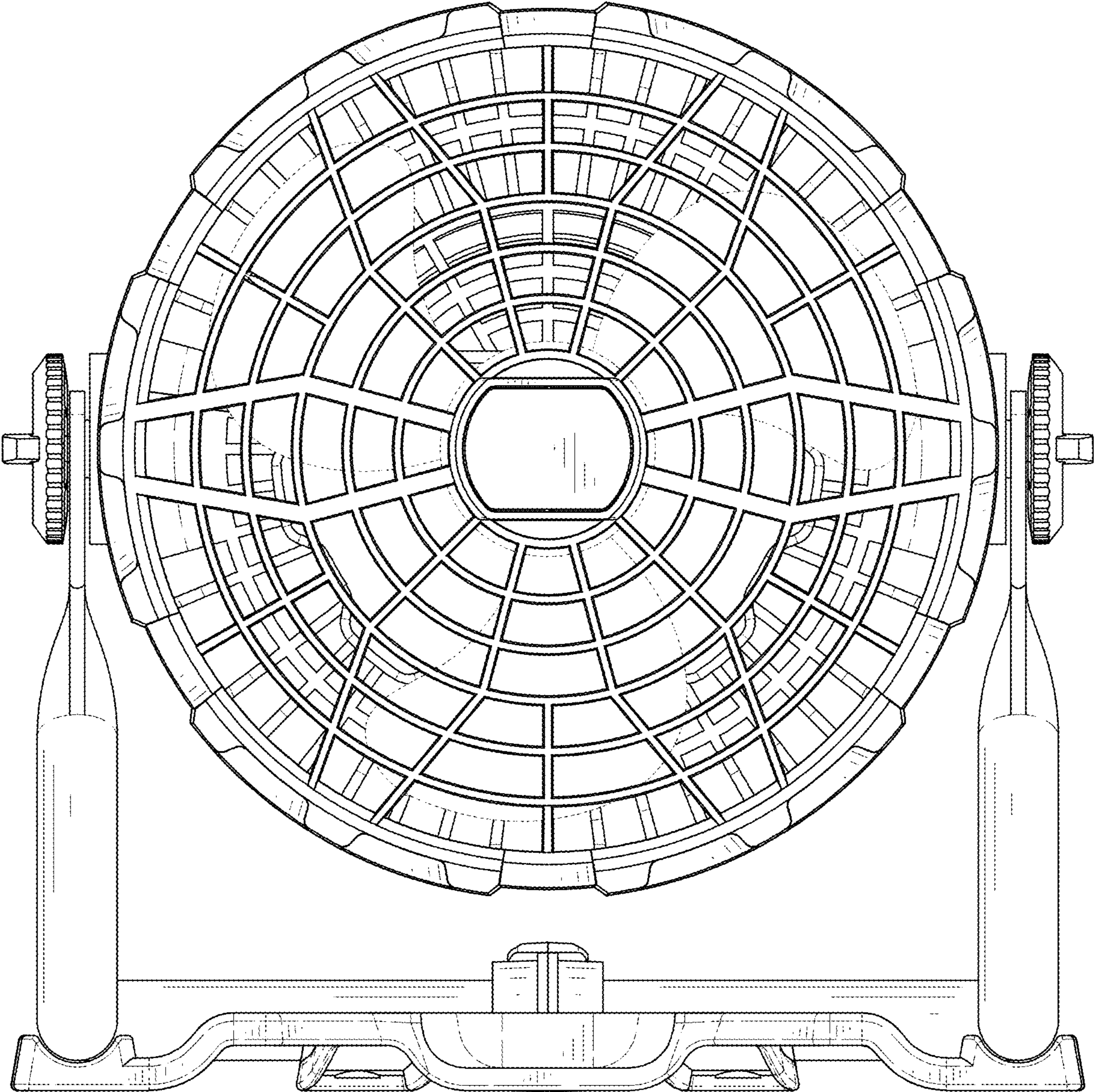


FIG. 3

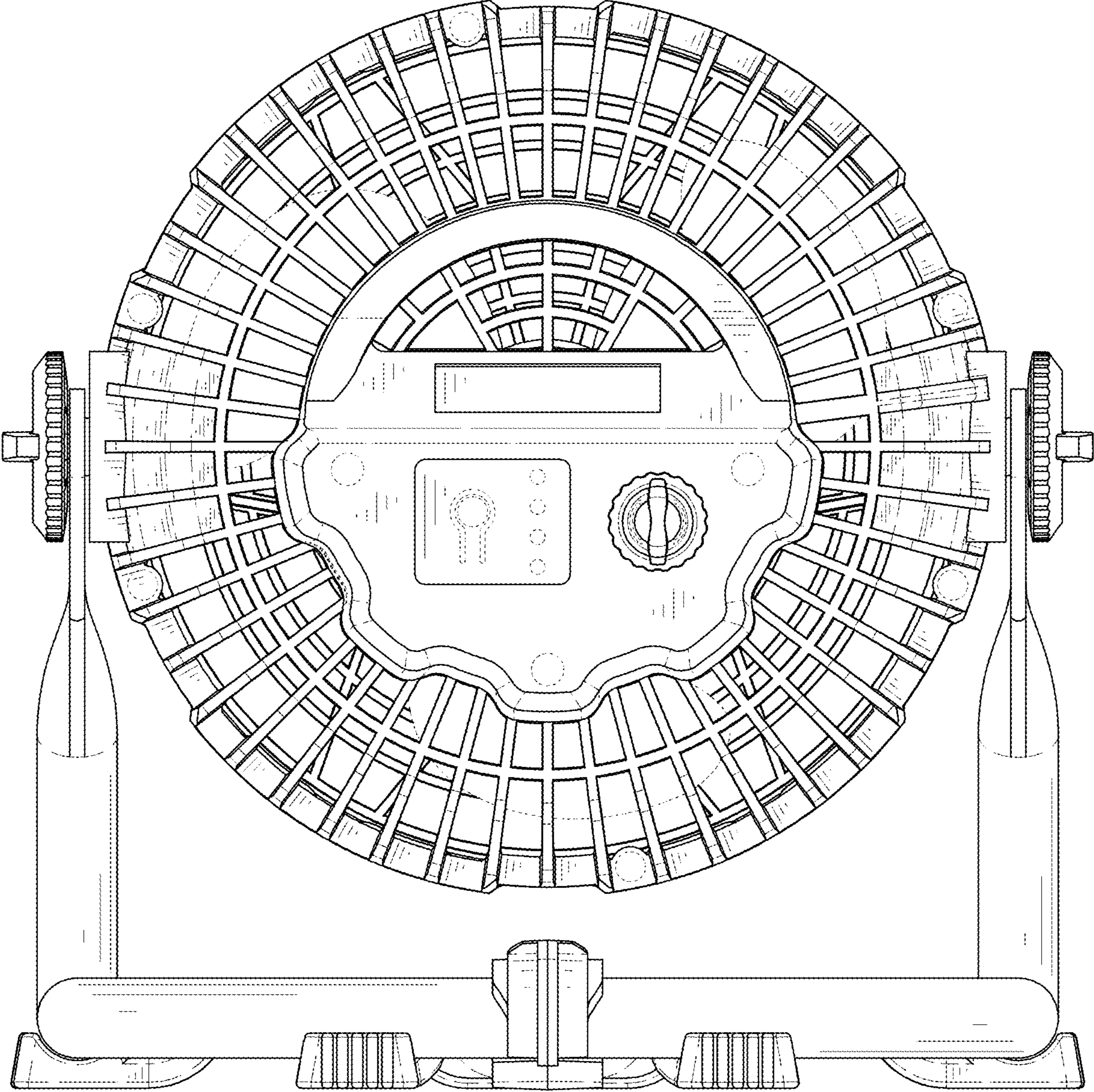


FIG. 4

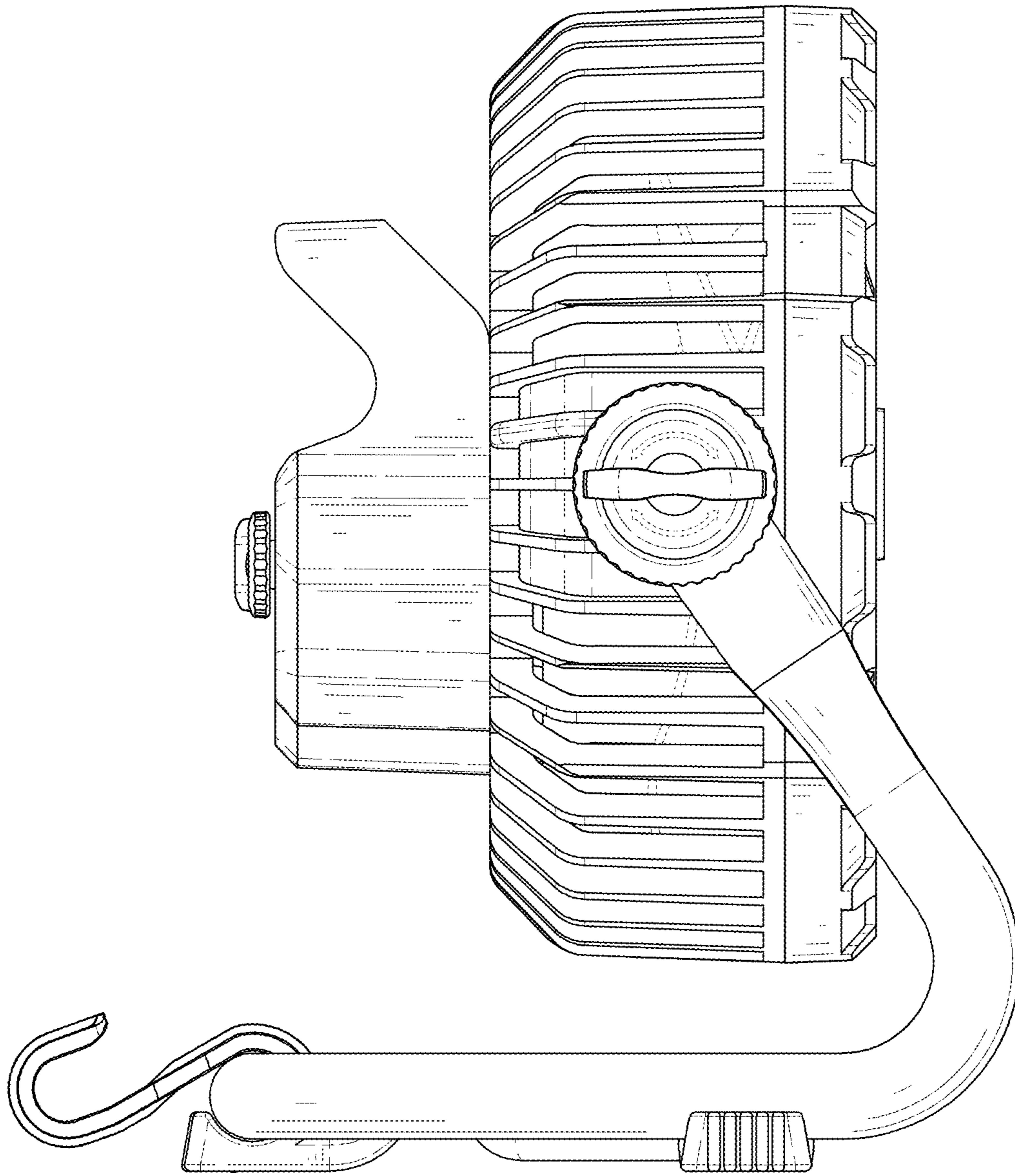


FIG. 5

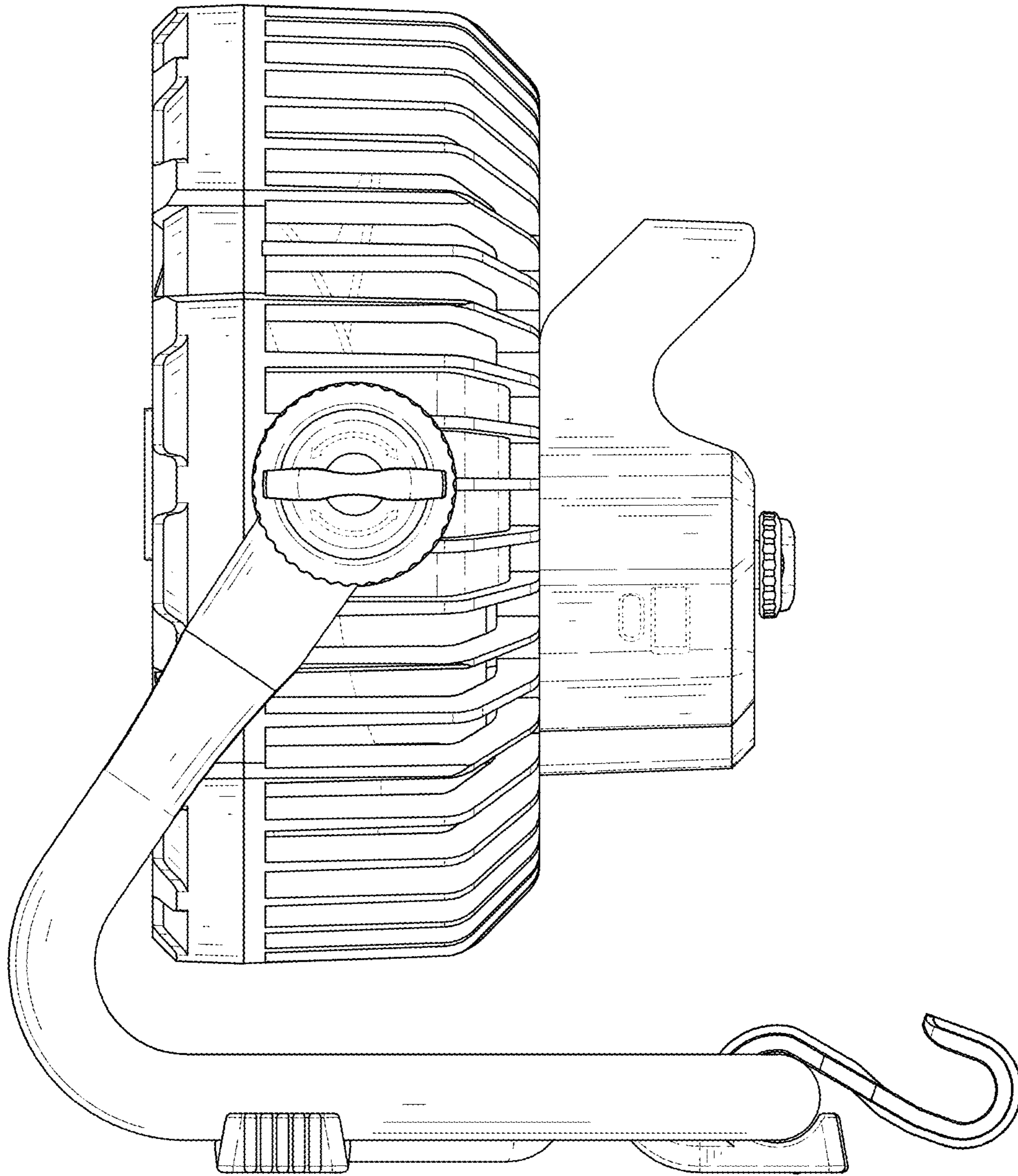


FIG. 6

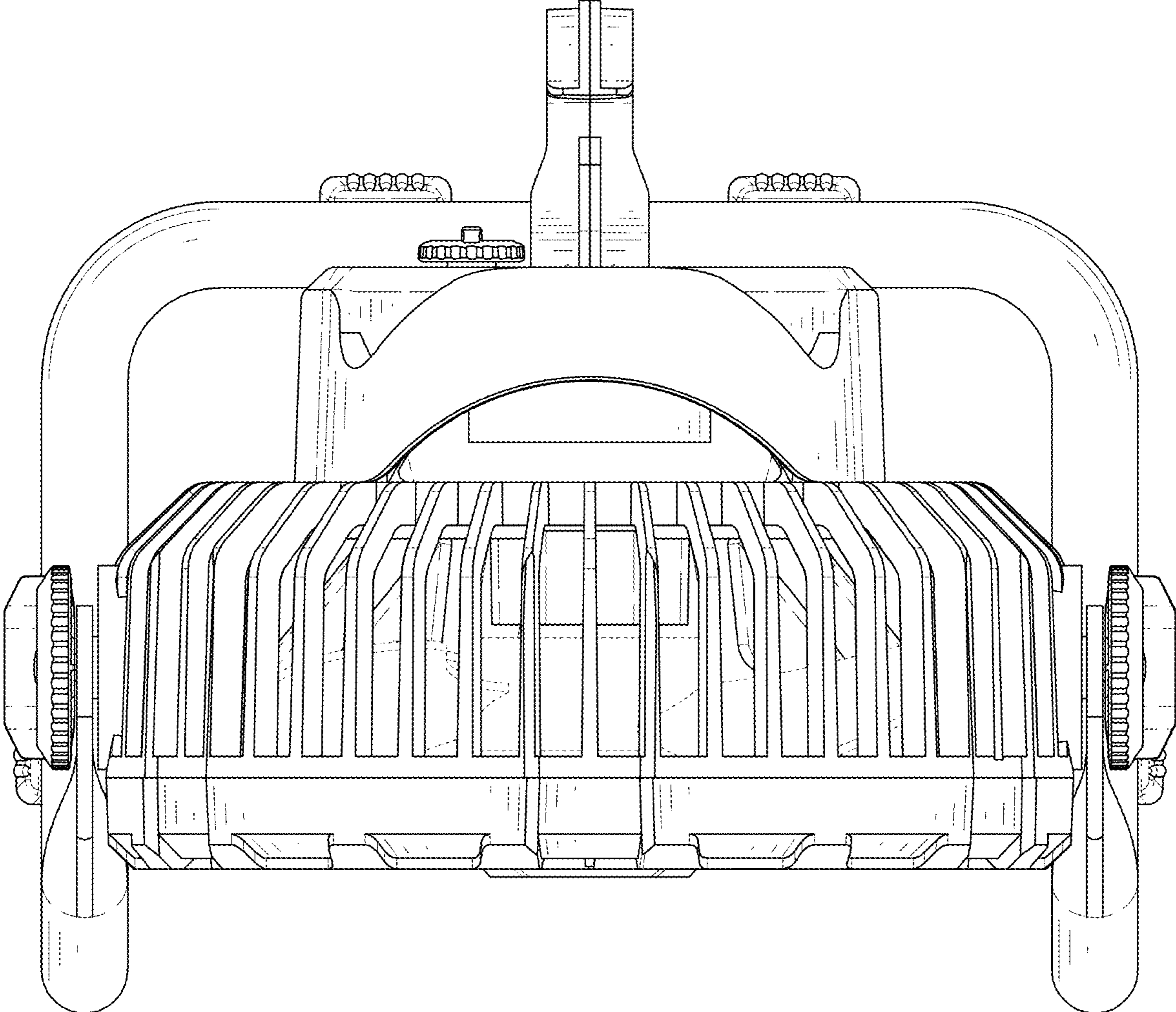


FIG. 7

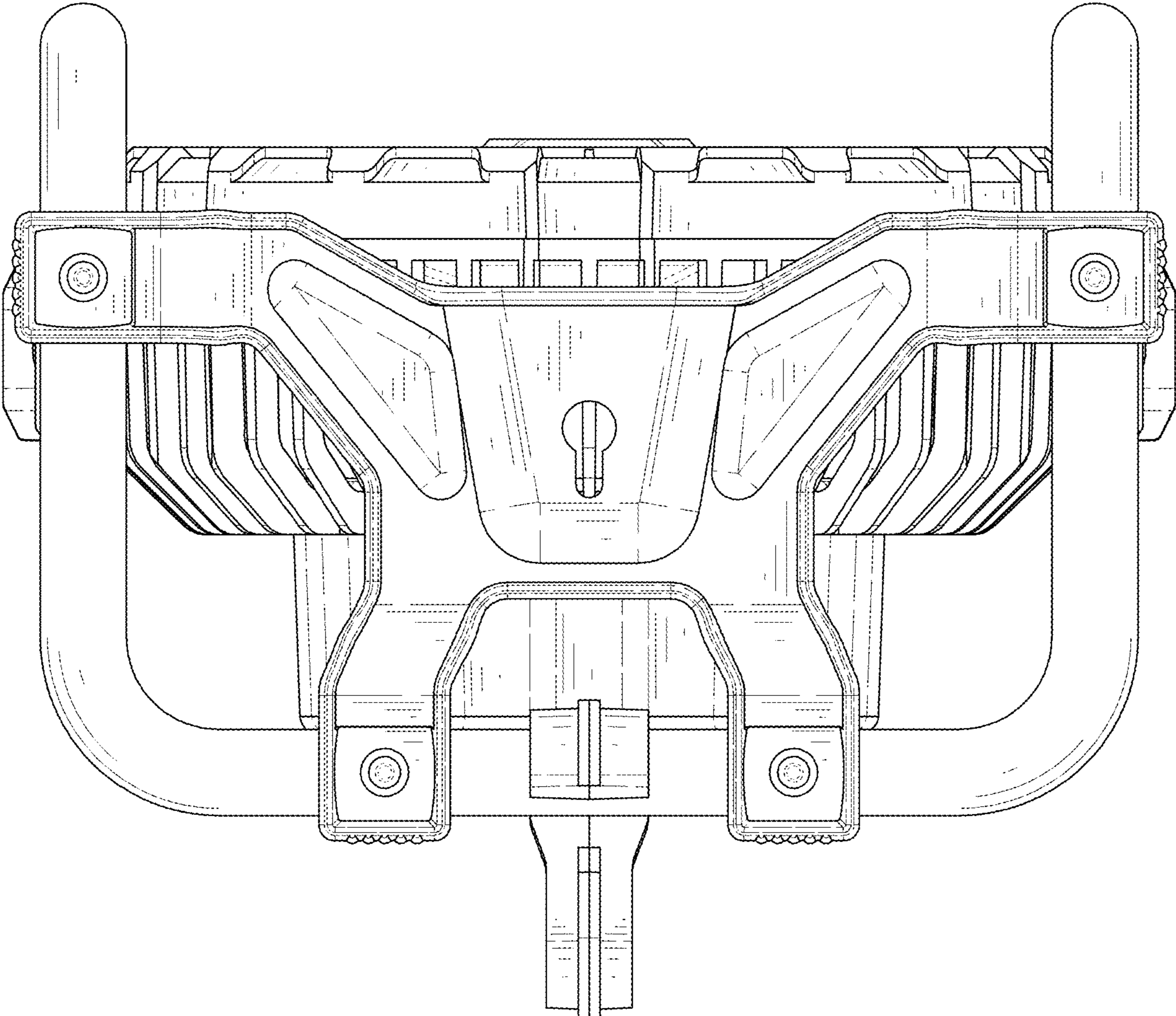


FIG. 8