



US00D967390S

(12) **United States Design Patent**  
**Shang**

(10) **Patent No.:** **US D967,390 S**

(45) **Date of Patent:** **\*\* Oct. 18, 2022**

- (54) **CEILING FAN**
- (71) Applicant: **Zixuan Shang**, Harbin (CN)
- (72) Inventor: **Zixuan Shang**, Harbin (CN)
- (73) Assignee: **Zixuan Shang**, Harbin (CN)
- (\*\*) Term: **15 Years**
- (21) Appl. No.: **29/846,529**
- (22) Filed: **Jul. 18, 2022**
- (51) **LOC (13) Cl.** ..... **23-04**
- (52) **U.S. Cl.**  
USPC ..... **D23/377; 379/385**
- (58) **Field of Classification Search**  
USPC ..... D23/370, 379, 377, 385, 411-412;  
D26/59  
CPC ..... F04D 25/08; F04D 29/646; F04D 29/384  
See application file for complete search history.

- D952,830 S \* 5/2022 Robinson ..... D23/412
- D953,517 S \* 5/2022 Belozerova ..... D23/385
- 11,371,517 B2 \* 6/2022 Robinson ..... F04D 29/329
- D957,614 S \* 7/2022 Keepers ..... D23/382
- 11,421,710 B2 \* 8/2022 Avedon ..... F04D 29/601

**OTHER PUBLICATIONS**

- Qumfixpu 20" Round Flush Mount Ceiling fan with Lights, Amazon.com, Jul. 25, 2021. <<https://a.co/d/72cG039>> (Year: 2021).\*
- DewShrimp Flush Mount Ceiling Fan with Lights, Amazon.com, Mar. 30, 2022. <<https://a.co/d/dugalg6>> (Year: 2022).\*
- YoloOwl Flush Mount Ceiling Fan, Amazon.com, Jul. 25, 2022. <<https://a.co/d/a6iUoHj>> (Year: 2022).\*
- Pshrfanst Modern Ceiling Fan, Amazon.com, May 5, 2022. <<https://a.co/d/4dYQG76>> (Year: 2022).\*

\* cited by examiner

*Primary Examiner* — Janice Hallmark

(74) *Attorney, Agent, or Firm* — Nitin Kaushik

(56) **References Cited**

**U.S. PATENT DOCUMENTS**

- D349,778 S \* 8/1994 Johnson ..... D26/86
- D469,209 S \* 1/2003 Homann ..... D26/152
- D509,583 S \* 9/2005 Graham ..... D23/411
- D726,897 S \* 4/2015 Hatz ..... D23/411
- D756,501 S \* 5/2016 Park ..... D23/385
- D775,319 S \* 12/2016 Park ..... D23/385
- D814,008 S \* 3/2018 Münz ..... D23/370
- D890,978 S \* 7/2020 Birchler ..... D26/88
- D899,579 S \* 10/2020 Sifeng ..... D26/59
- D910,825 S \* 2/2021 Jung ..... D23/364
- D916,269 S \* 4/2021 Bushnell ..... F04D 29/384
- D930,808 S \* 9/2021 Hsu ..... D23/379
- D945,595 S \* 3/2022 Biancuzzo ..... D23/370
- D952,121 S \* 5/2022 He ..... D23/382
- D952,123 S \* 5/2022 Searle

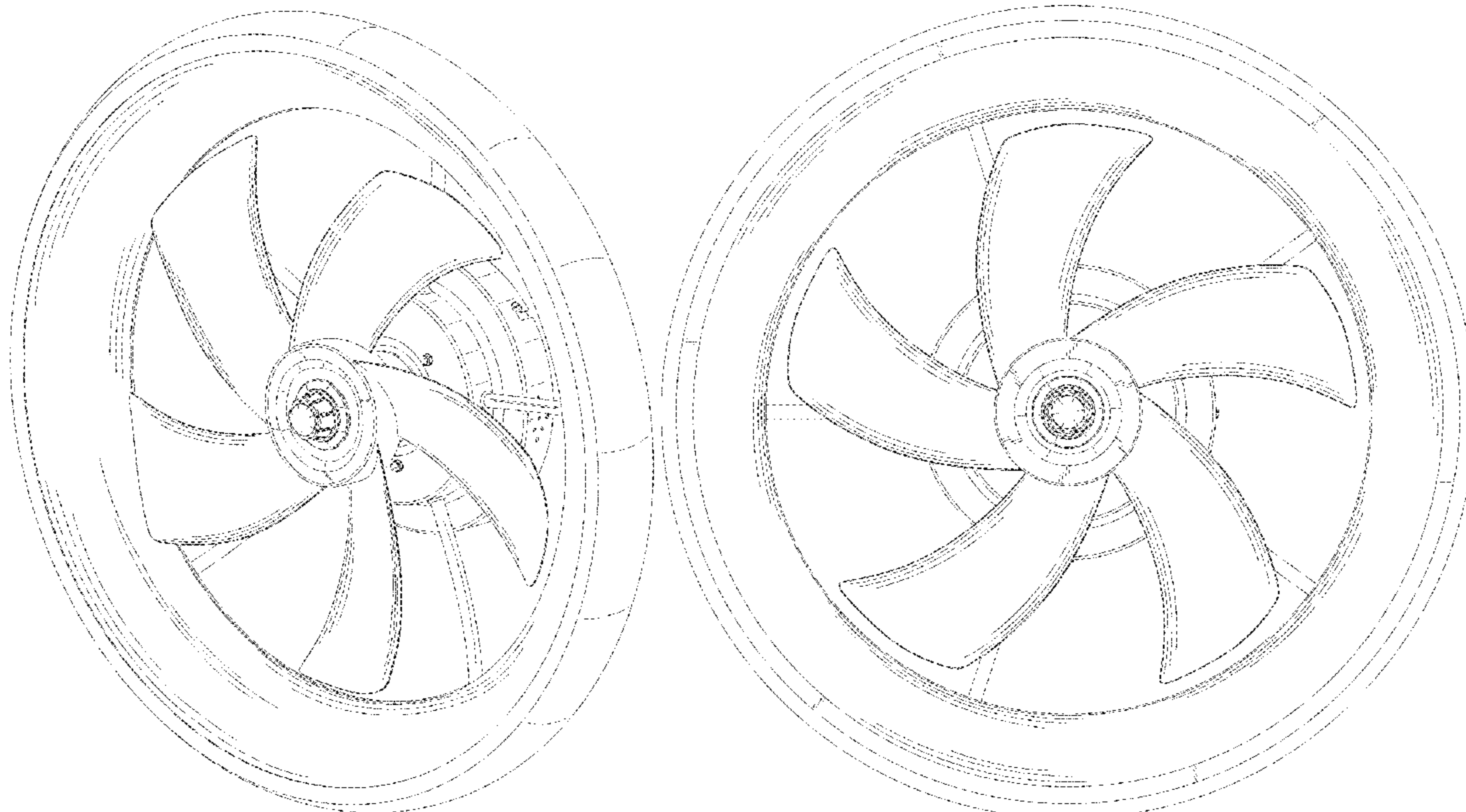
(57) **CLAIM**

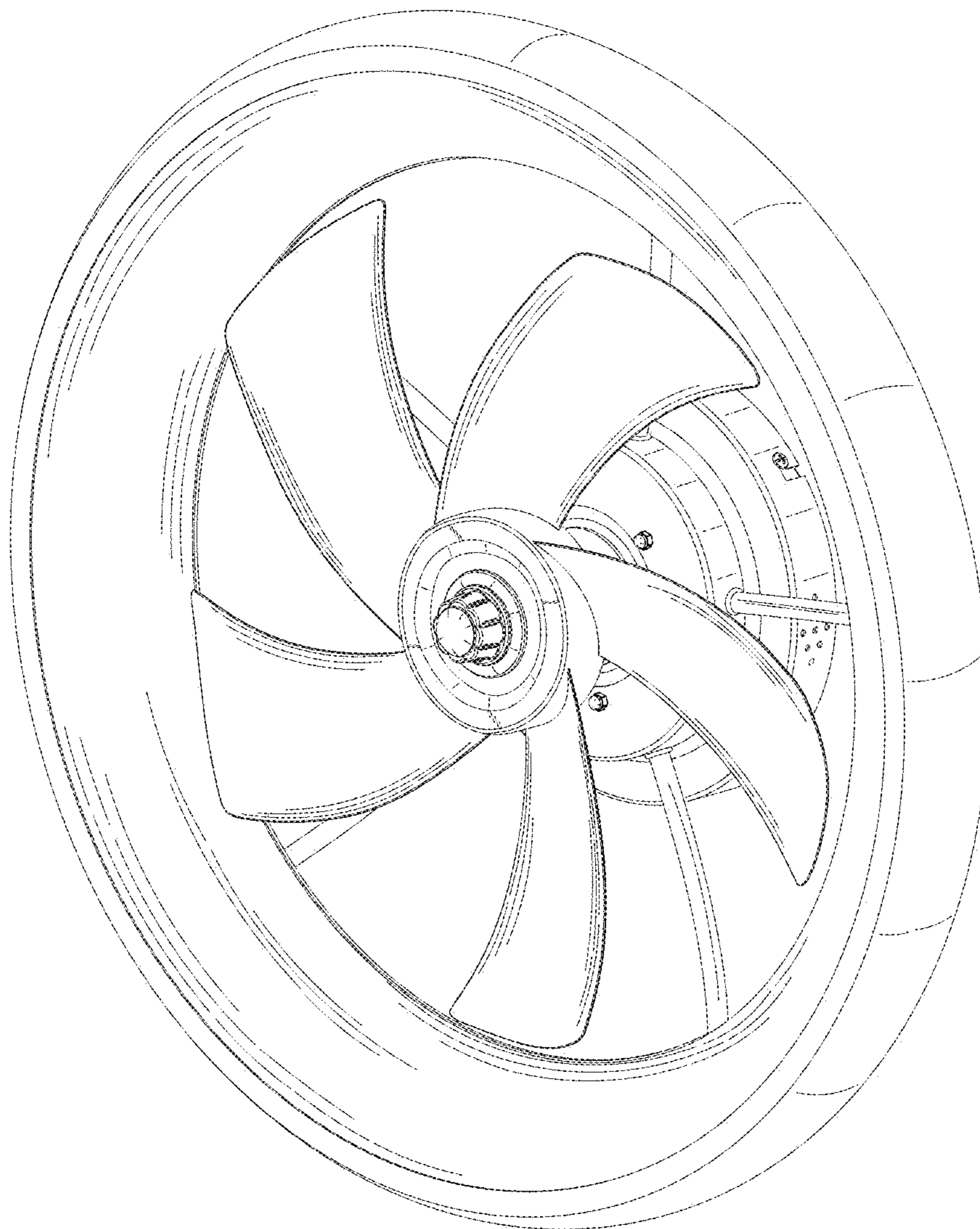
The ornamental design for a ceiling fan, as shown and described.

**DESCRIPTION**

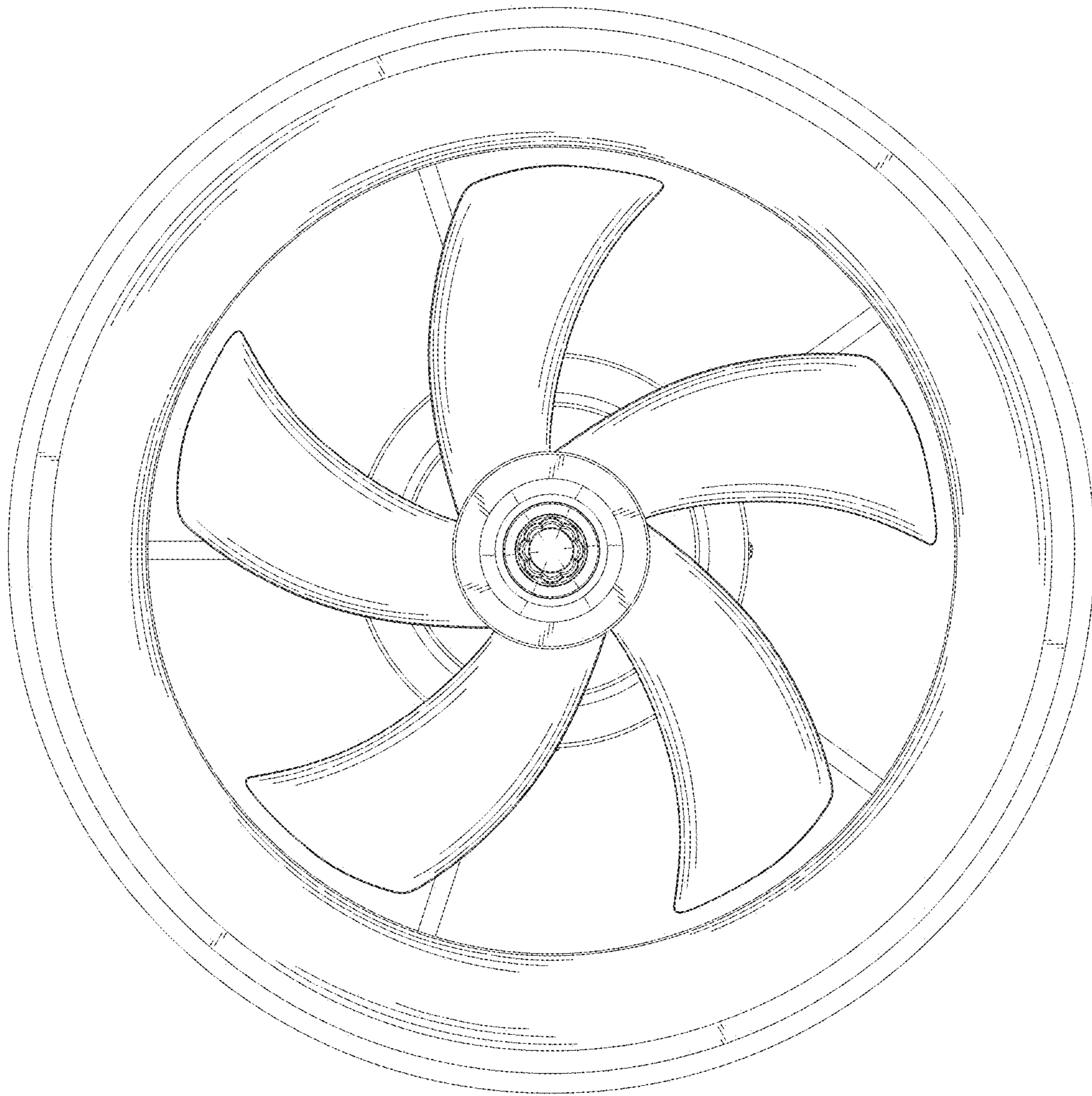
FIG. 1 is a front, top and right side perspective view of a ceiling fan, showing my new design;  
 FIG. 2 is a front view thereof;  
 FIG. 3 is a rear view thereof;  
 FIG. 4 is a left side view thereof;  
 FIG. 5 is a right side view thereof;  
 FIG. 6 is a top view thereof; and,  
 FIG. 7 is a bottom view thereof.

**1 Claim, 7 Drawing Sheets**

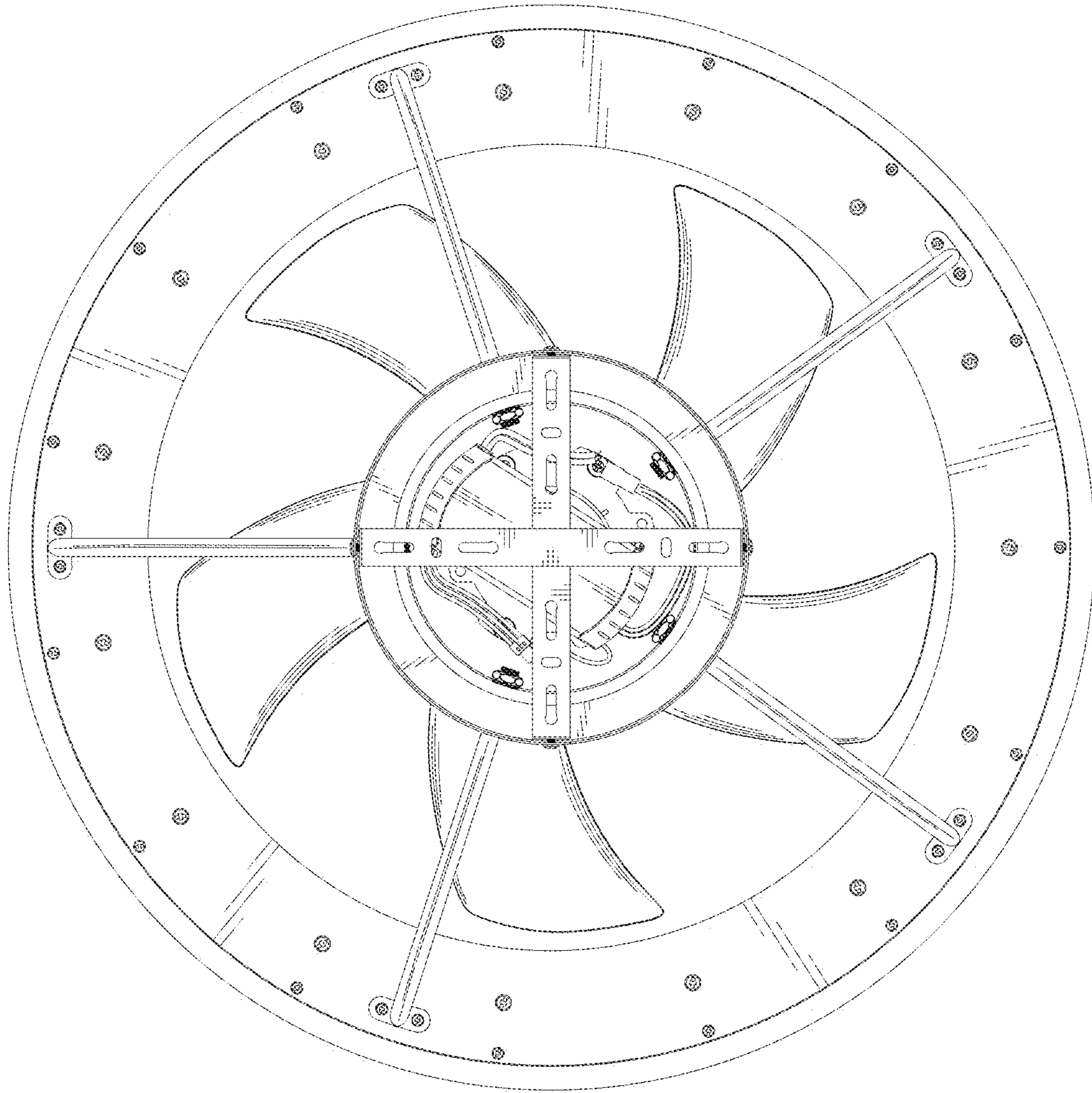




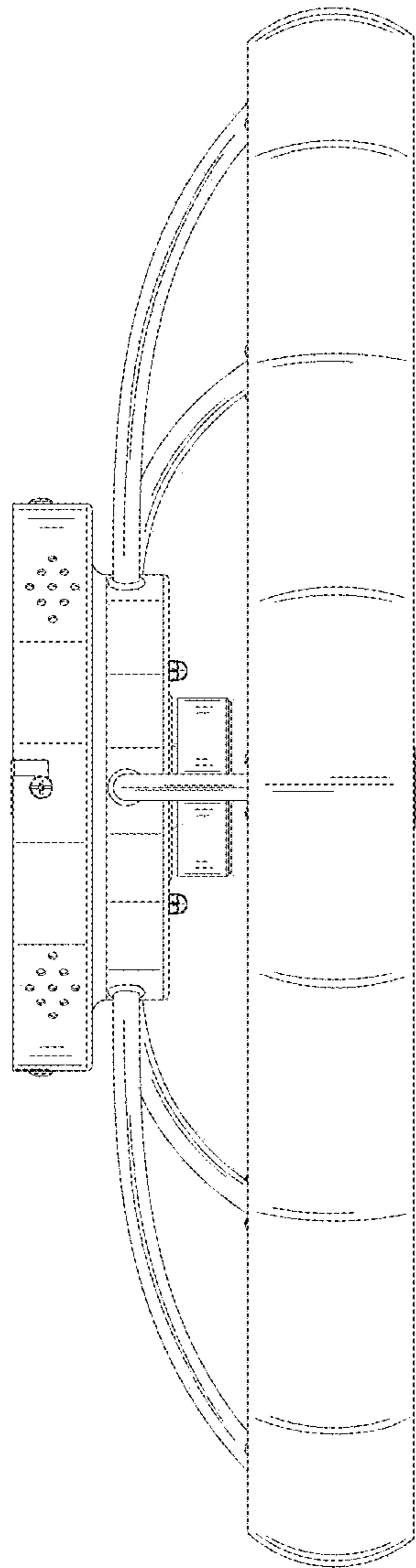
**FIG. 1**



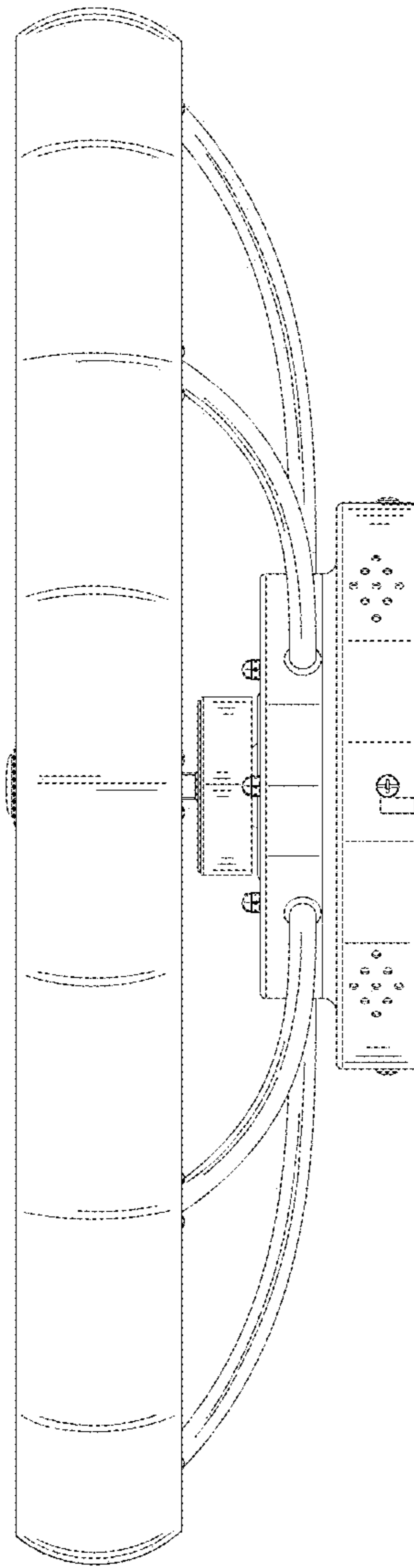
**FIG. 2**



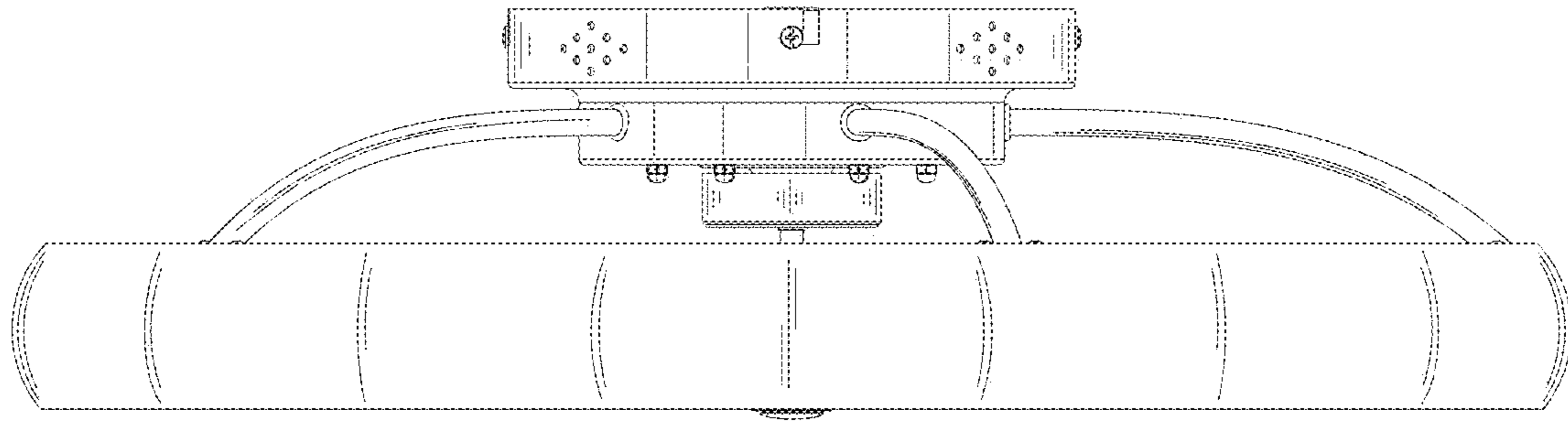
**FIG. 3**



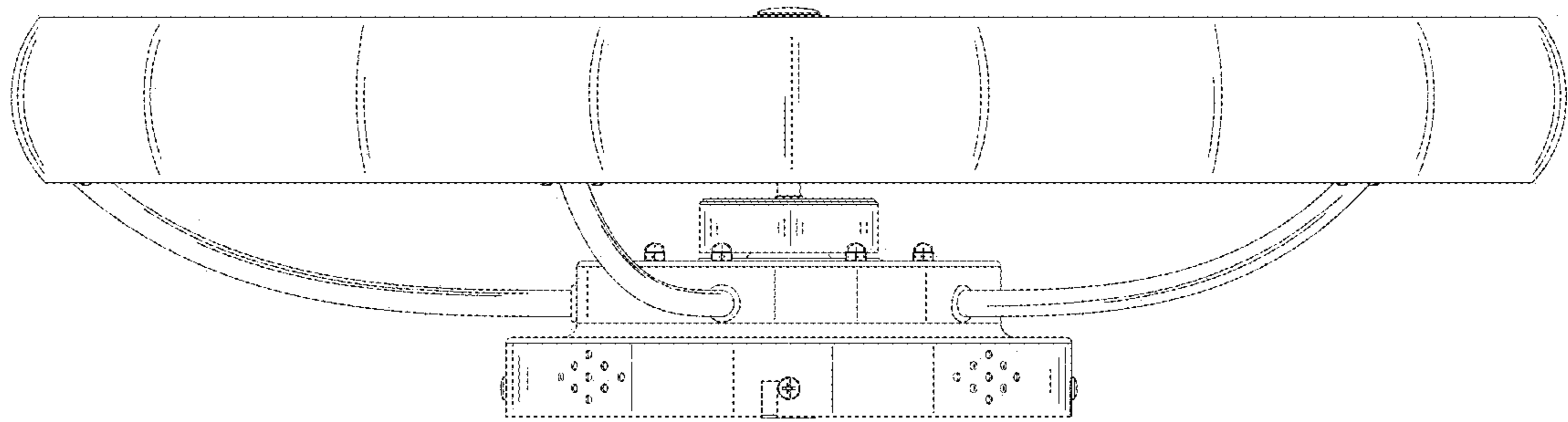
**FIG. 4**



**FIG. 5**



**FIG. 6**



**FIG. 7**