



US00D967389S

(12) **United States Design Patent** (10) **Patent No.:** **US D967,389 S**
Wang (45) **Date of Patent:** **** Oct. 18, 2022**

(54) **CEILING FAN**

2004/0022636 A1* 2/2004 Bilskie F04D 29/601
416/244 R

(71) Applicant: **AIR COOL INDUSTRIAL CO., LTD.**, Taichung (TW)

* cited by examiner

(72) Inventor: **Cliff Wang**, Taichung (TW)

Primary Examiner — Sharon S Oum

(73) Assignee: **AIR COOL INDUSTRIAL CO., LTD.**, Taichung (TW)

(74) *Attorney, Agent, or Firm* — Pai Patent & Trademark Law Firm; Chao-Chang David Pai

(**) Term: **15 Years**

(57) **CLAIM**

The ornamental design for a ceiling fan, as shown and described.

(21) Appl. No.: **29/752,623**

DESCRIPTION

(22) Filed: **Sep. 28, 2020**

(51) **LOC (13) Cl.** **23-04**

(52) **U.S. Cl.**
USPC **D23/377**

(58) **Field of Classification Search**
USPC D23/370, 377, 379, 381–382, 385,
D23/411–414; D26/59
CPC F04D 25/088; F04D 29/38; F04D 29/384;
F04D 29/386; F21V 33/0096
See application file for complete search history.

FIG. 1 is a front top perspective view of a ceiling fan showing my new design;
FIG. 2 is a front elevational view thereof;
FIG. 3 is an enlarged view of area 3 of FIG. 2;
FIG. 4 is a rear elevational view of FIG. 1;
FIG. 5 is an enlarged view of area 5 of FIG. 4;
FIG. 6 is a left side elevational view of FIG. 1;
FIG. 7 is an enlarged view of area 7 of FIG. 6;
FIG. 8 is a right side elevational view of FIG. 1;
FIG. 9 is an enlarged view of area 9 of FIG. 8;
FIG. 10 is a top plan view of FIG. 1;
FIG. 11 is a bottom plan view thereof;
FIG. 12 is an enlarged view of area 12 of FIG. 11;
FIG. 13 is an enlarged view of area 13 of FIG. 11;
FIG. 14 is a front bottom perspective view of FIG. 1; and,
FIG. 15 is an enlarged view of area 15 of FIG. 14.

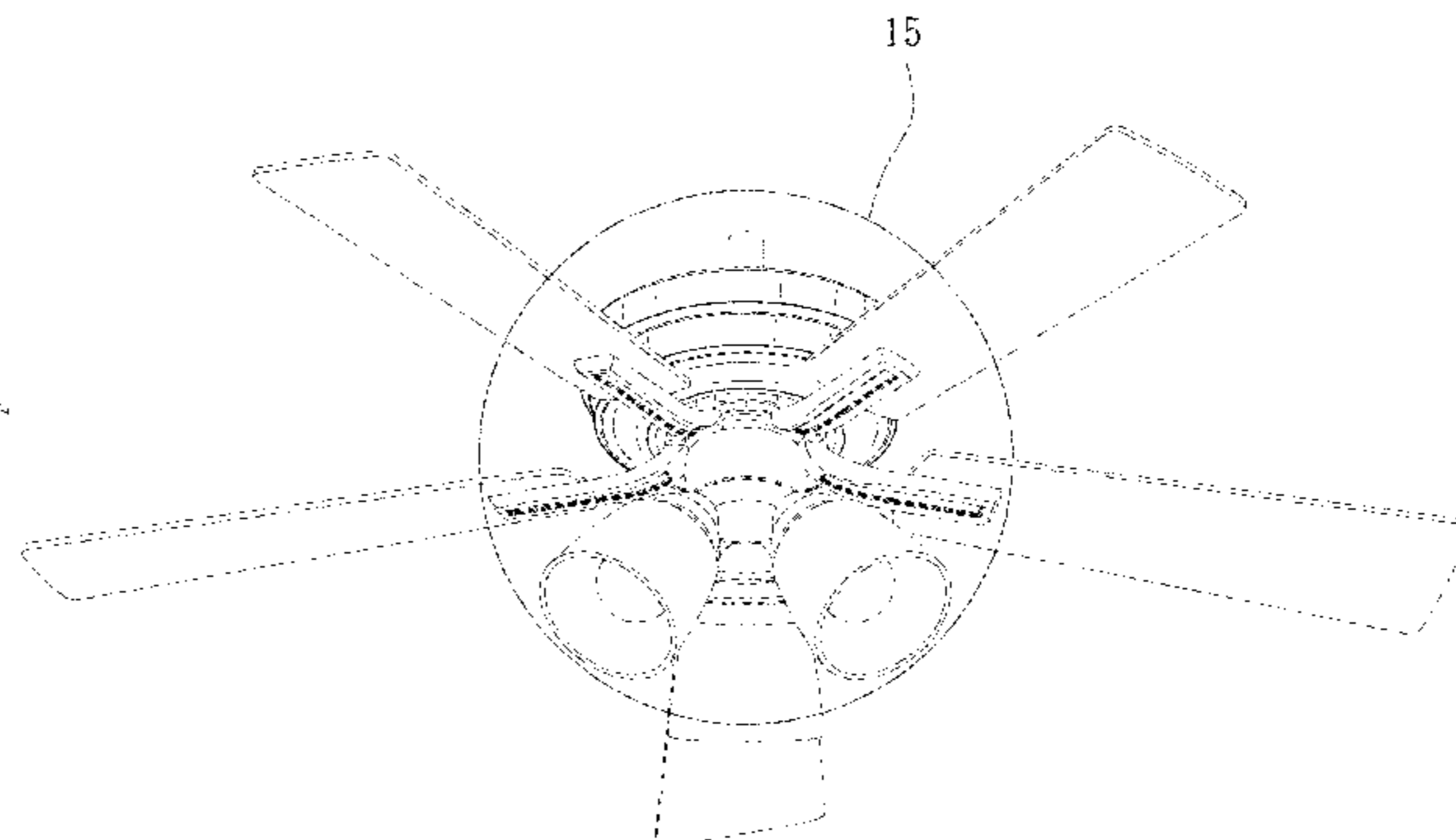
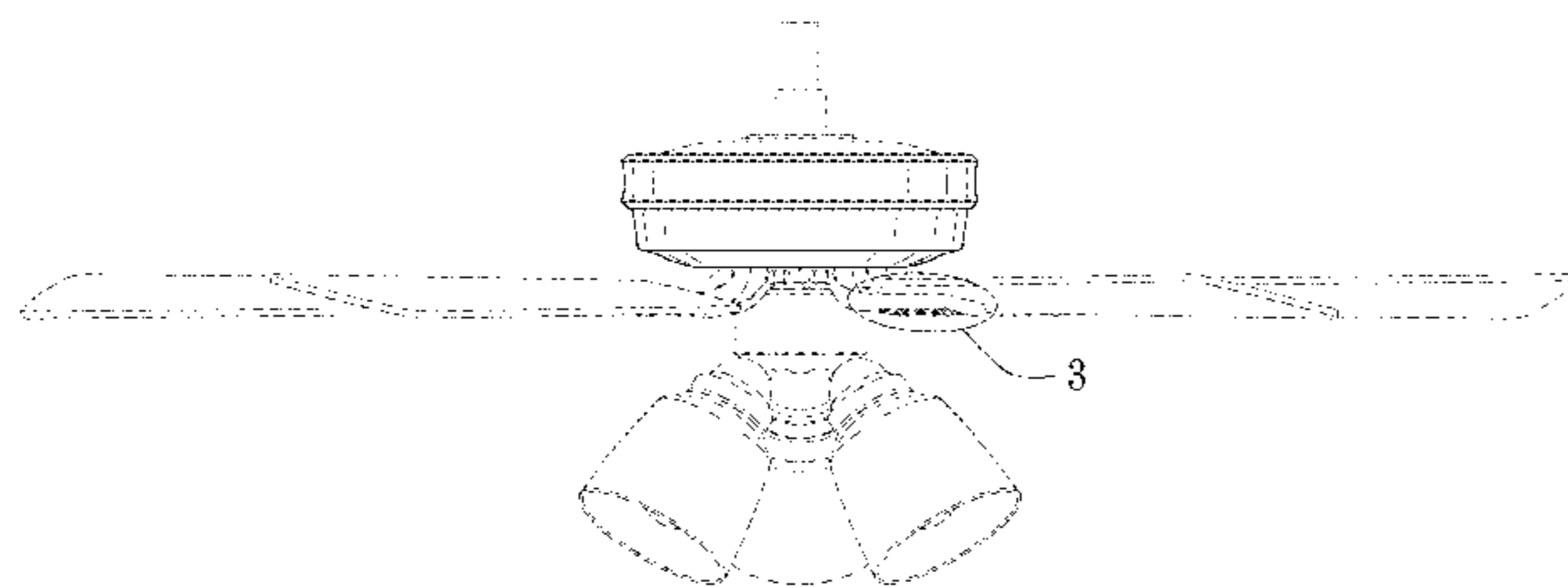
(56) **References Cited**

U.S. PATENT DOCUMENTS

D627,048 S	*	11/2010	Shurtleff	D23/411
D834,700 S	*	11/2018	Hidalgo	D23/411
D872,851 S	*	1/2020	Holmes	D23/411
D884,145 S	*	5/2020	Holmes	D23/377
D918,372 S	*	5/2021	Holmes	D23/377
D941,455 S	*	1/2022	Ennesser	D23/413

The dash-dash broken lines illustrate portions of the ceiling fan that form no part of the claimed design. The dot-dash broken lines surrounding areas 3, 5, 7, 9, 12, 13, and 15 form no part of the claimed design.

1 Claim, 11 Drawing Sheets



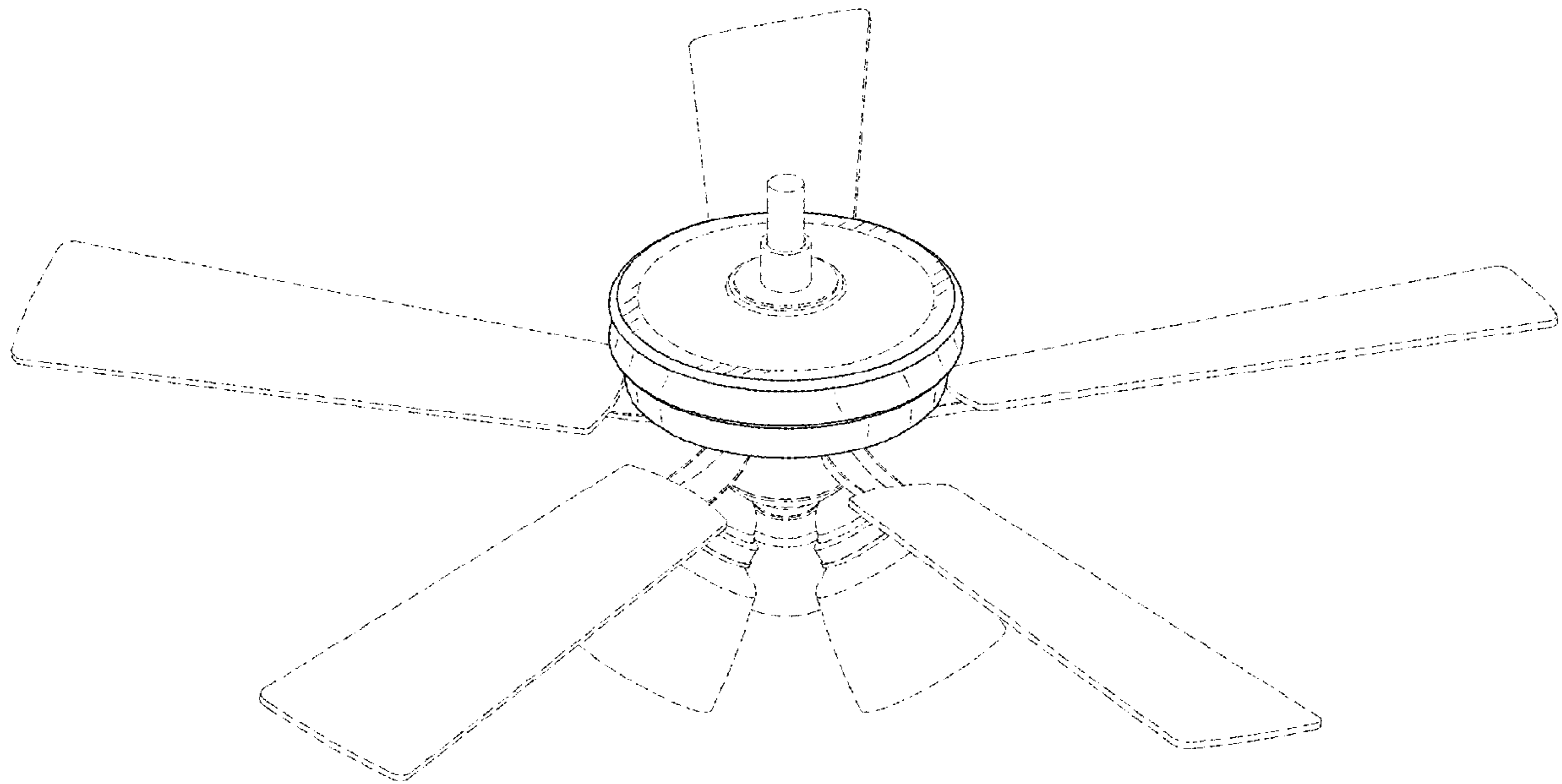


FIG. 1

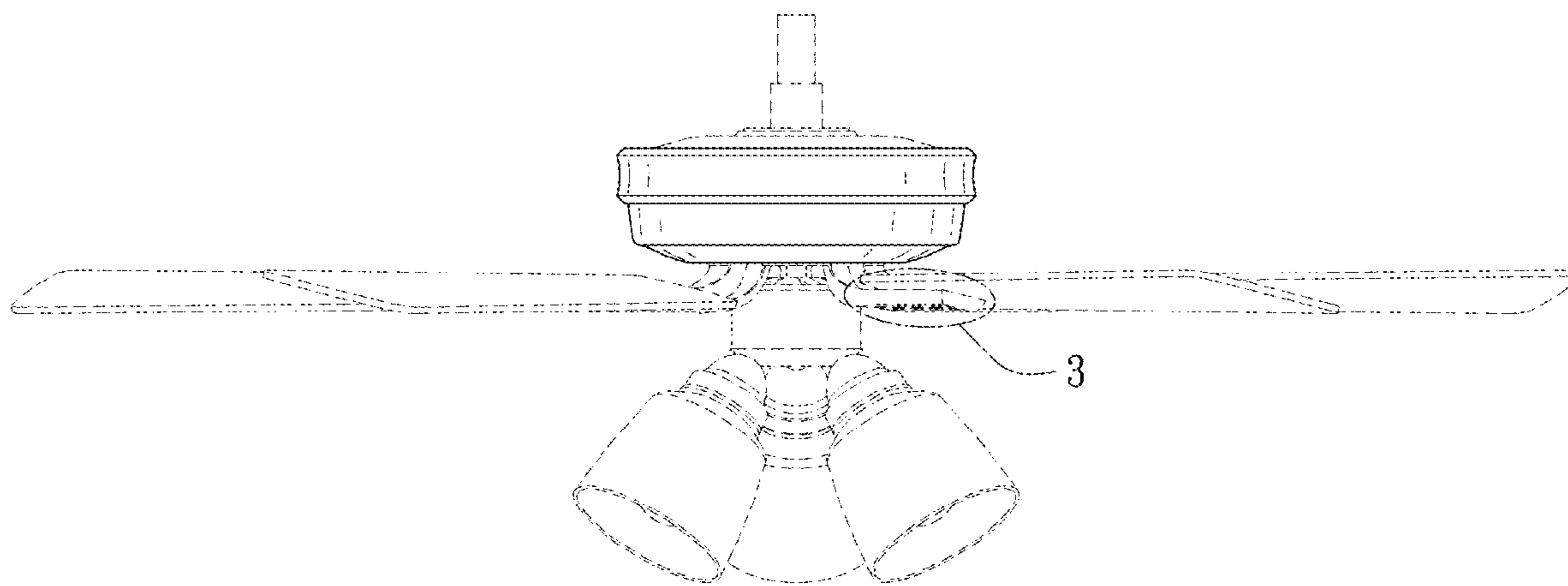


FIG. 2

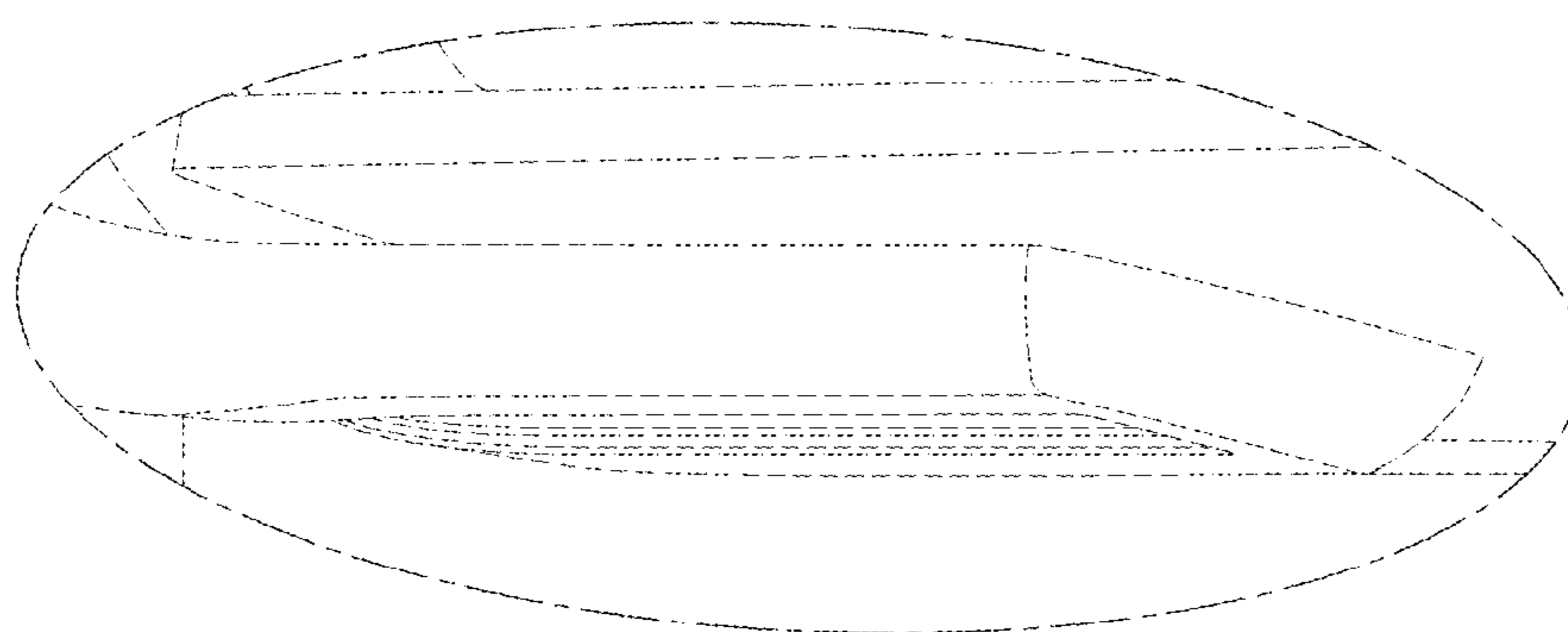


FIG. 3

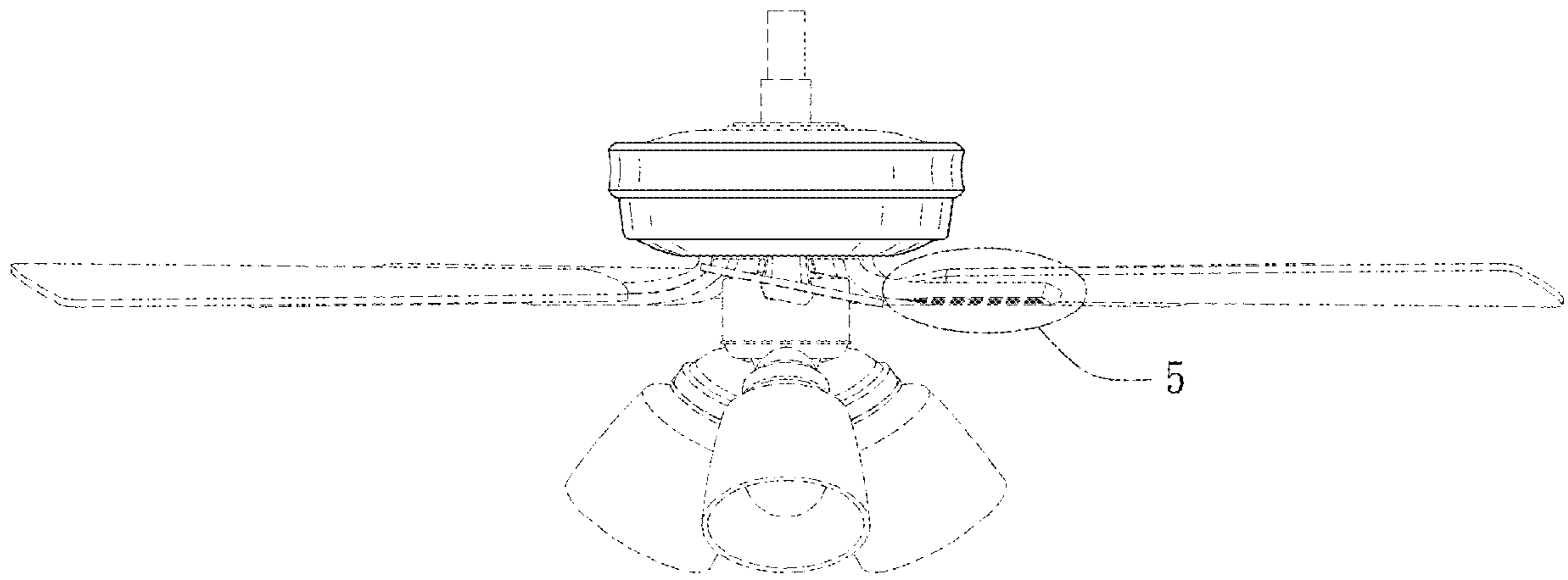


FIG. 4

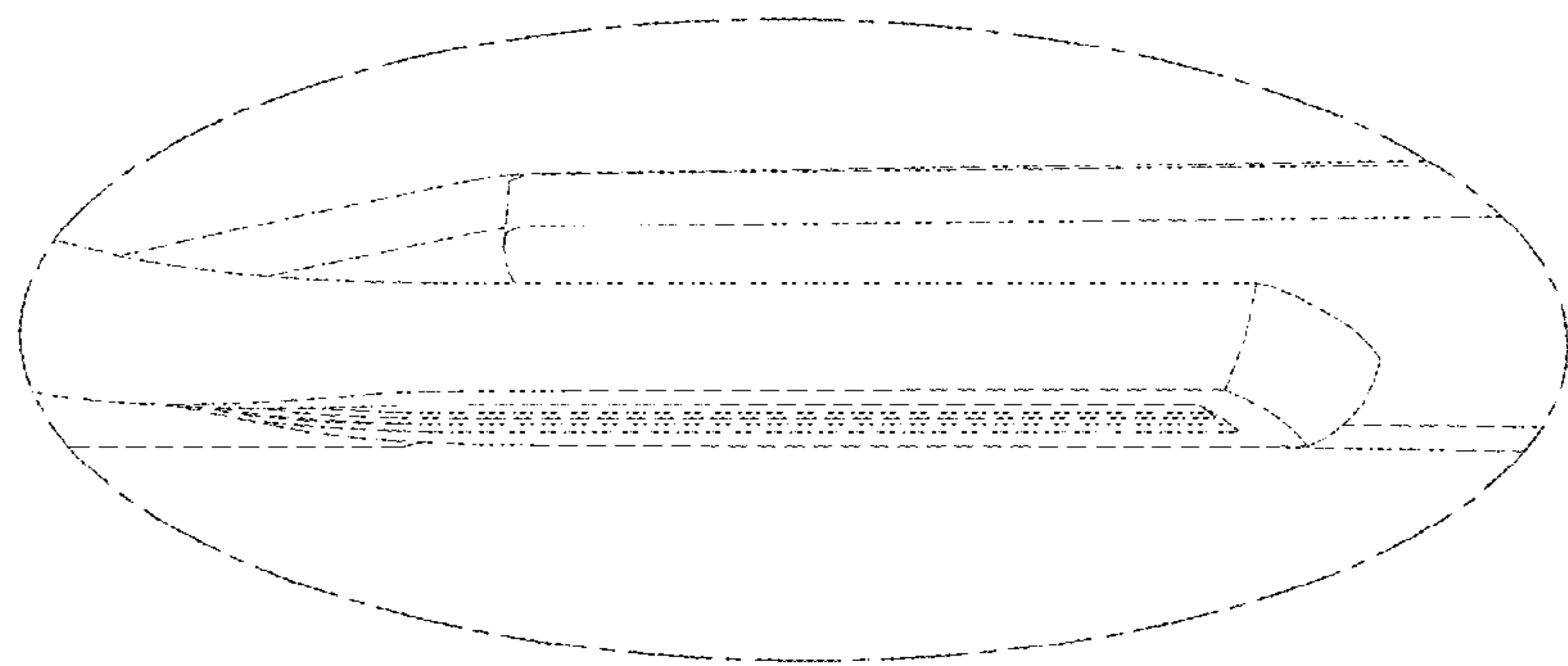


FIG. 5

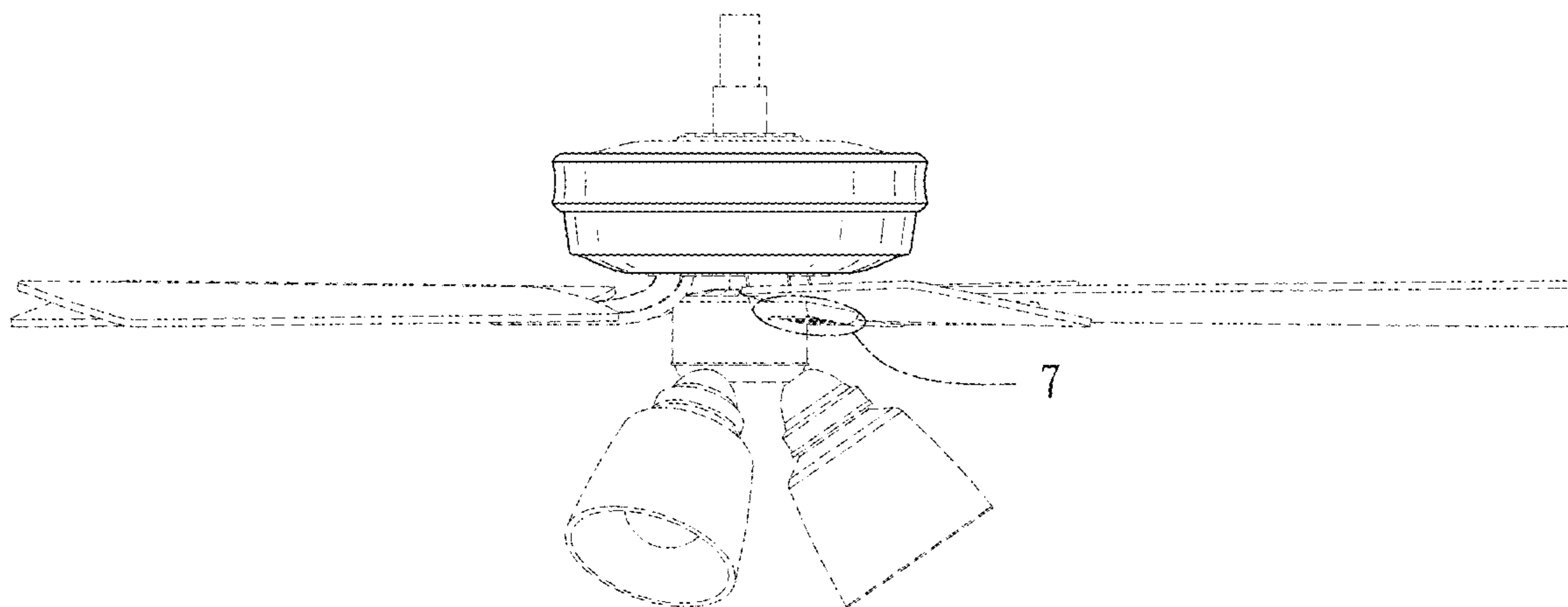


FIG. 6

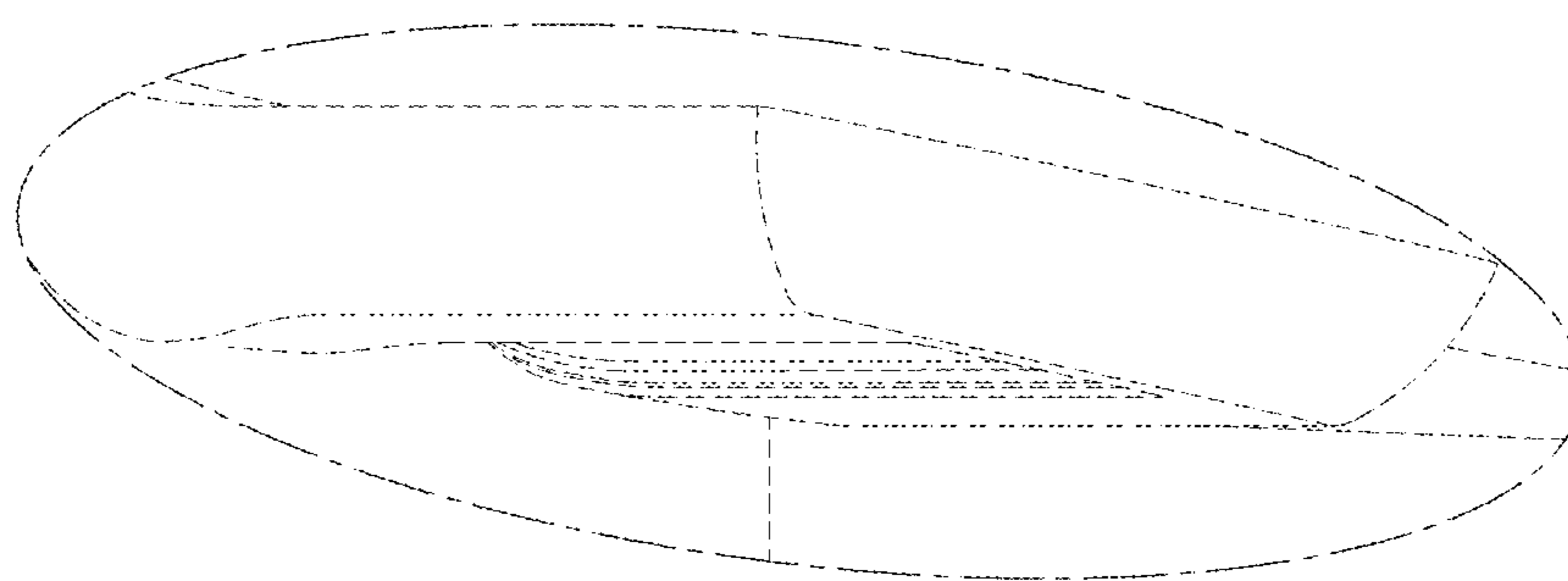


FIG. 7

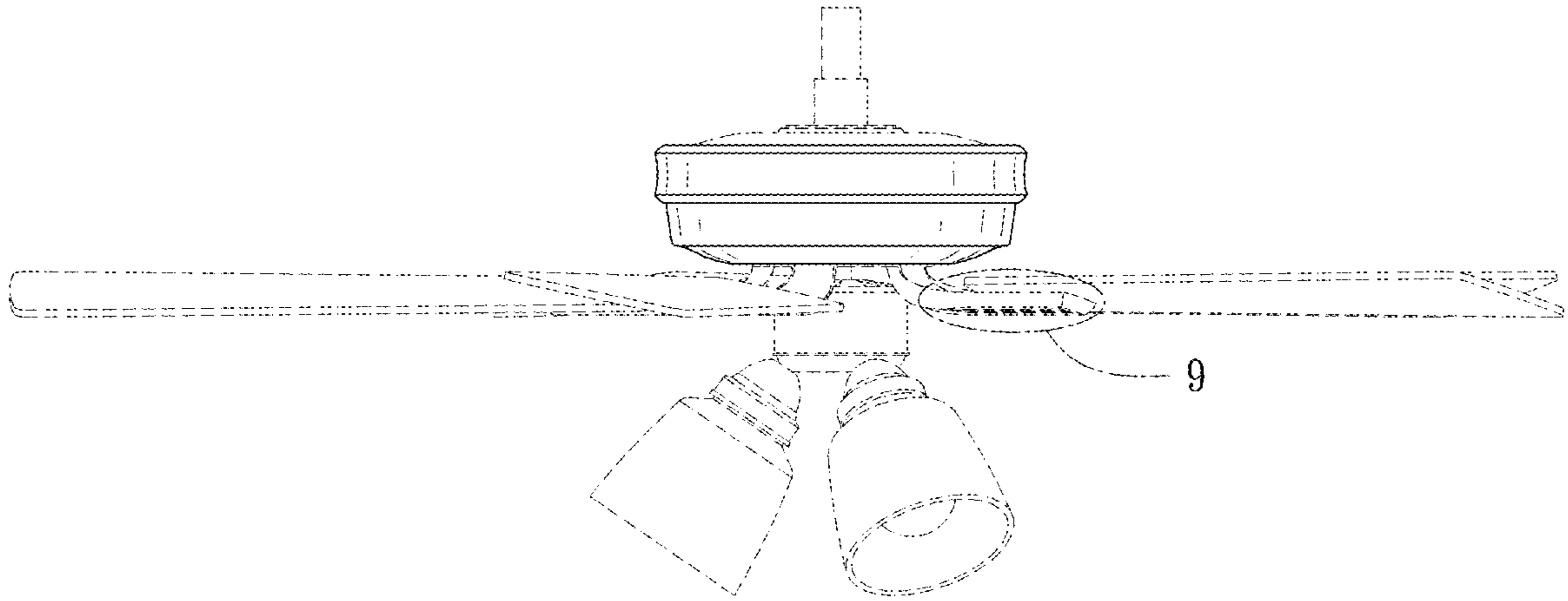


FIG. 8

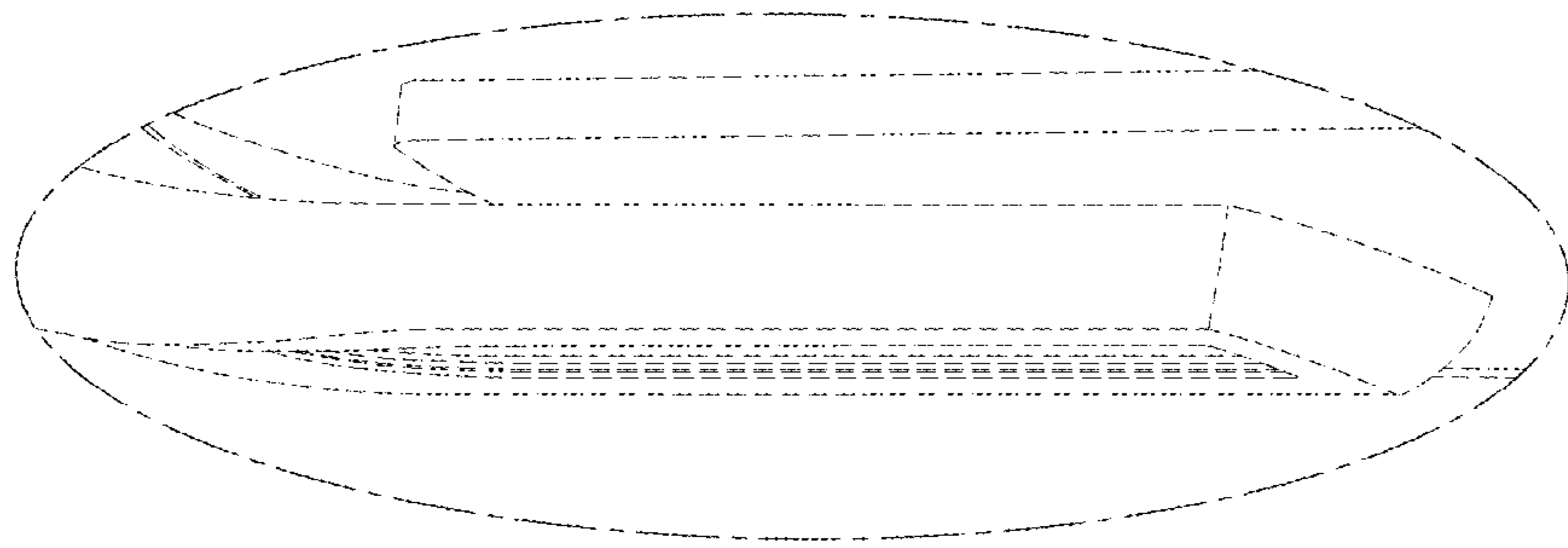


FIG. 9

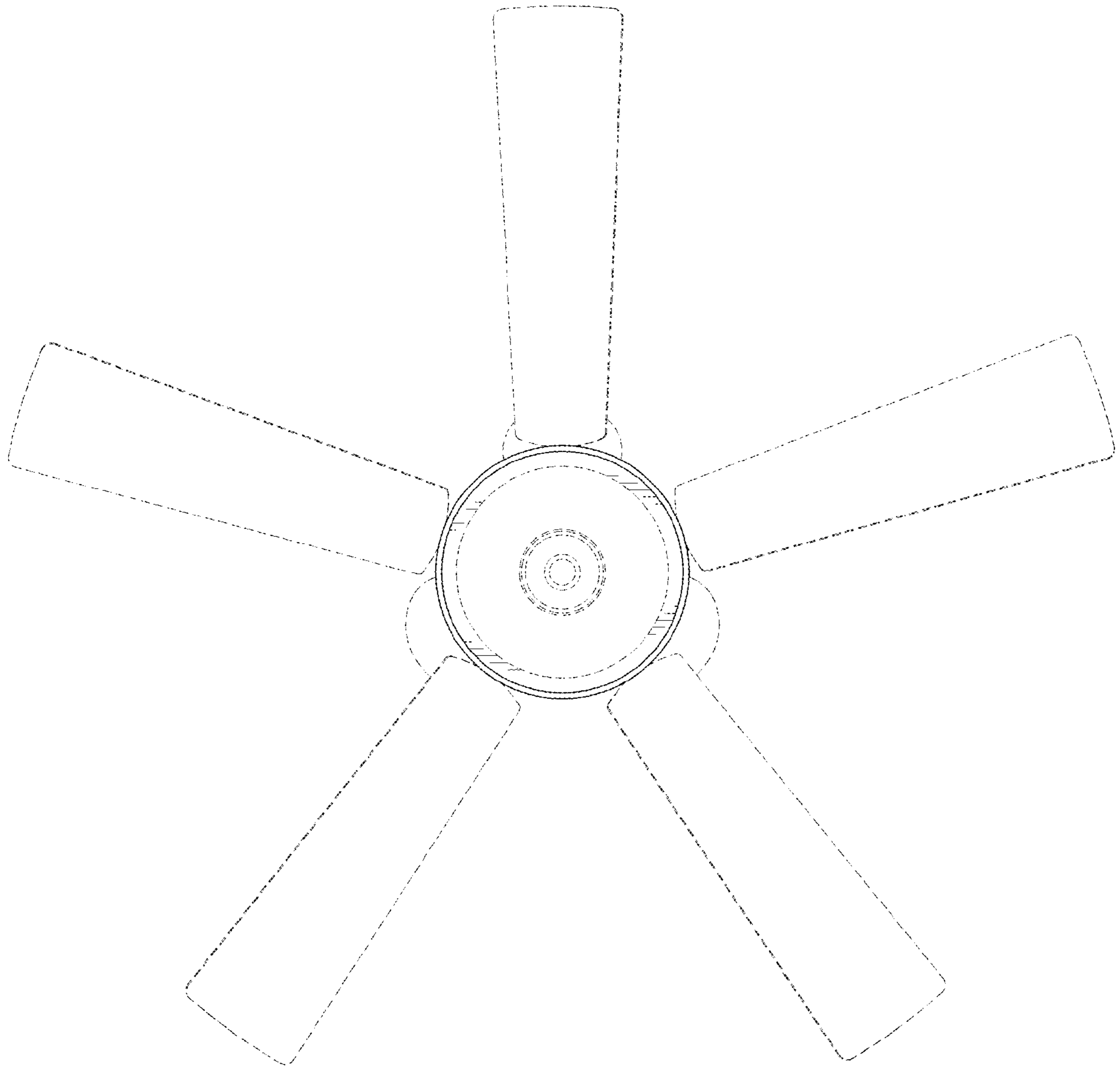


FIG. 10

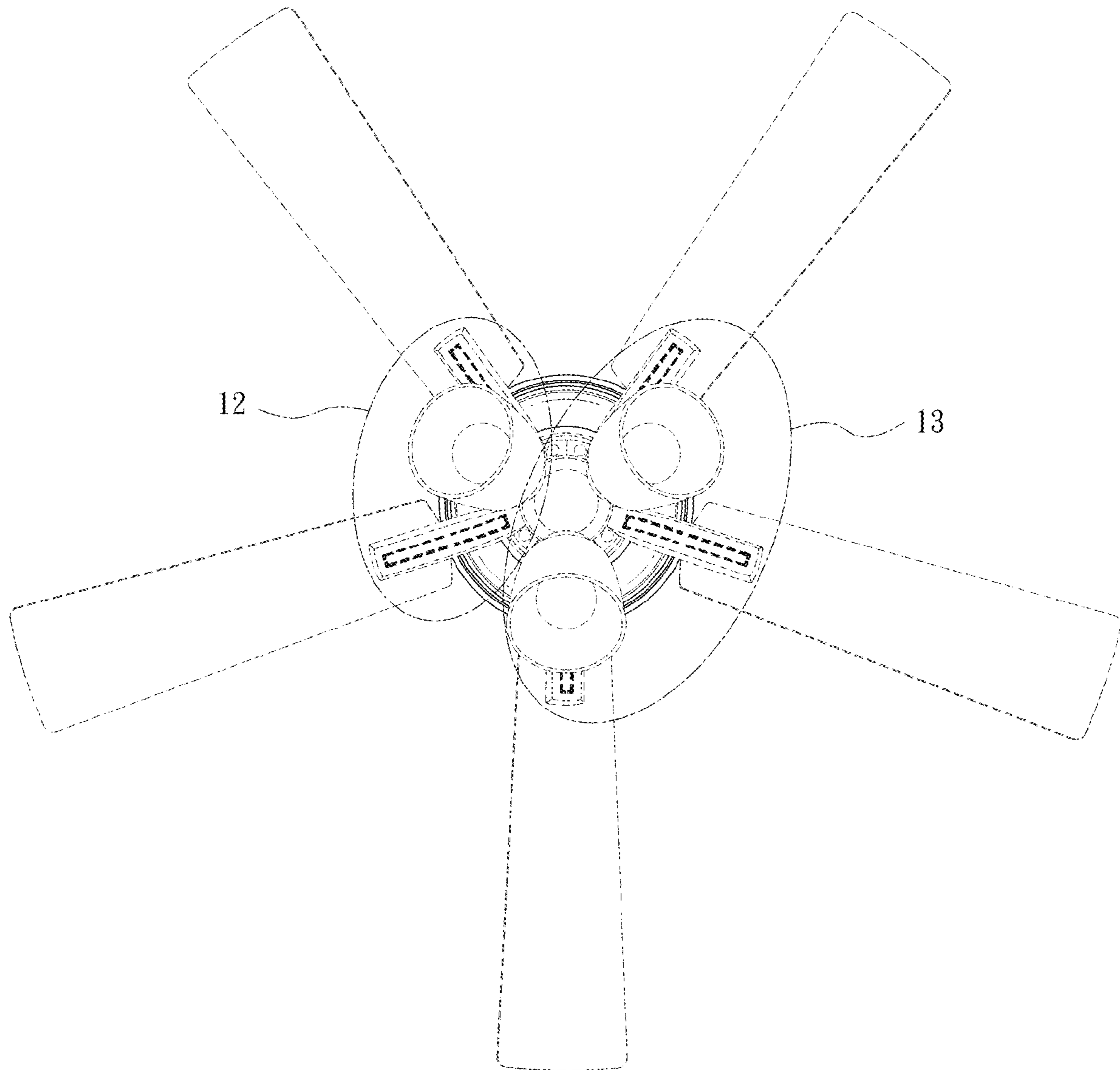


FIG. 11

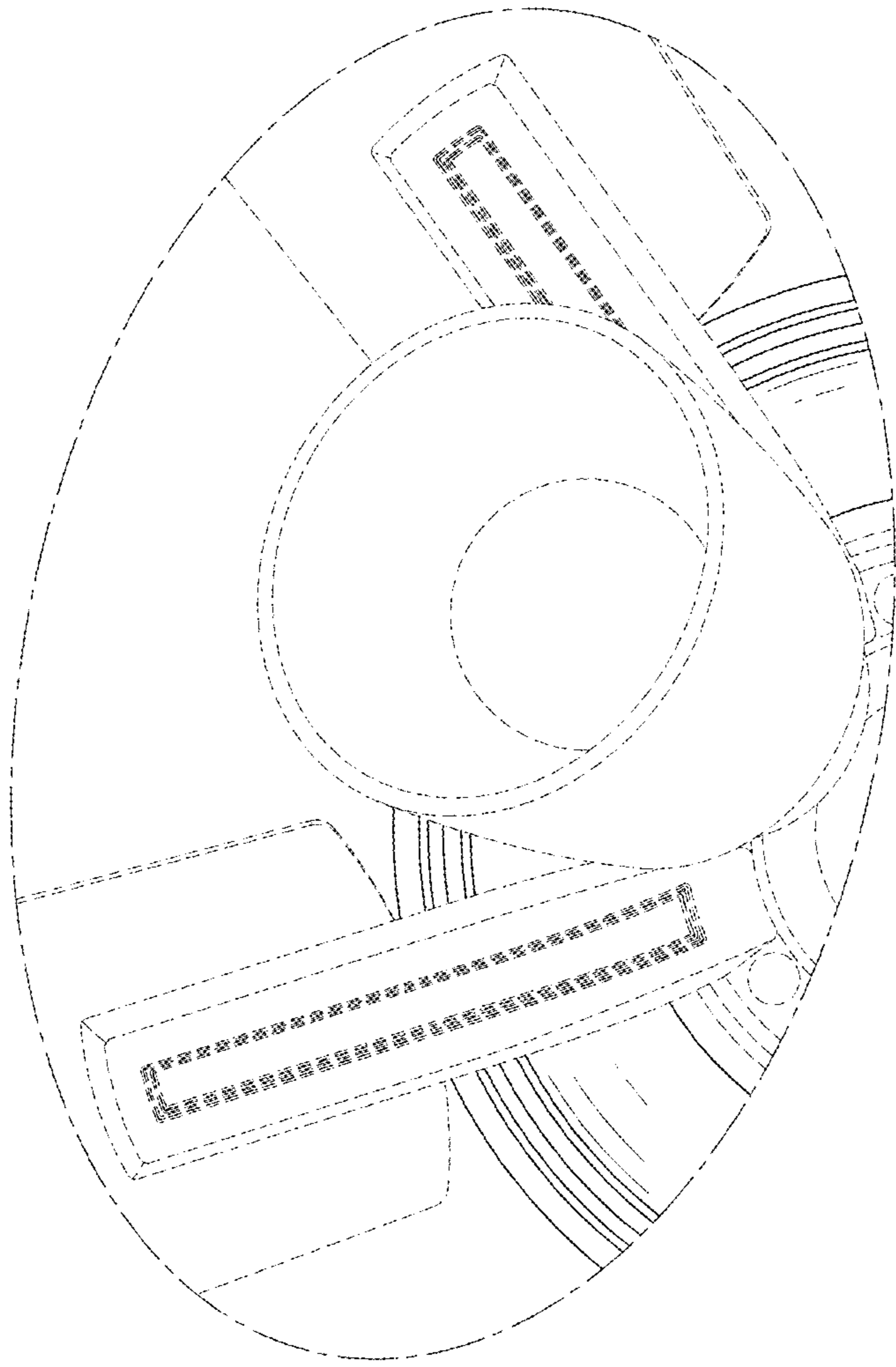


FIG. 12

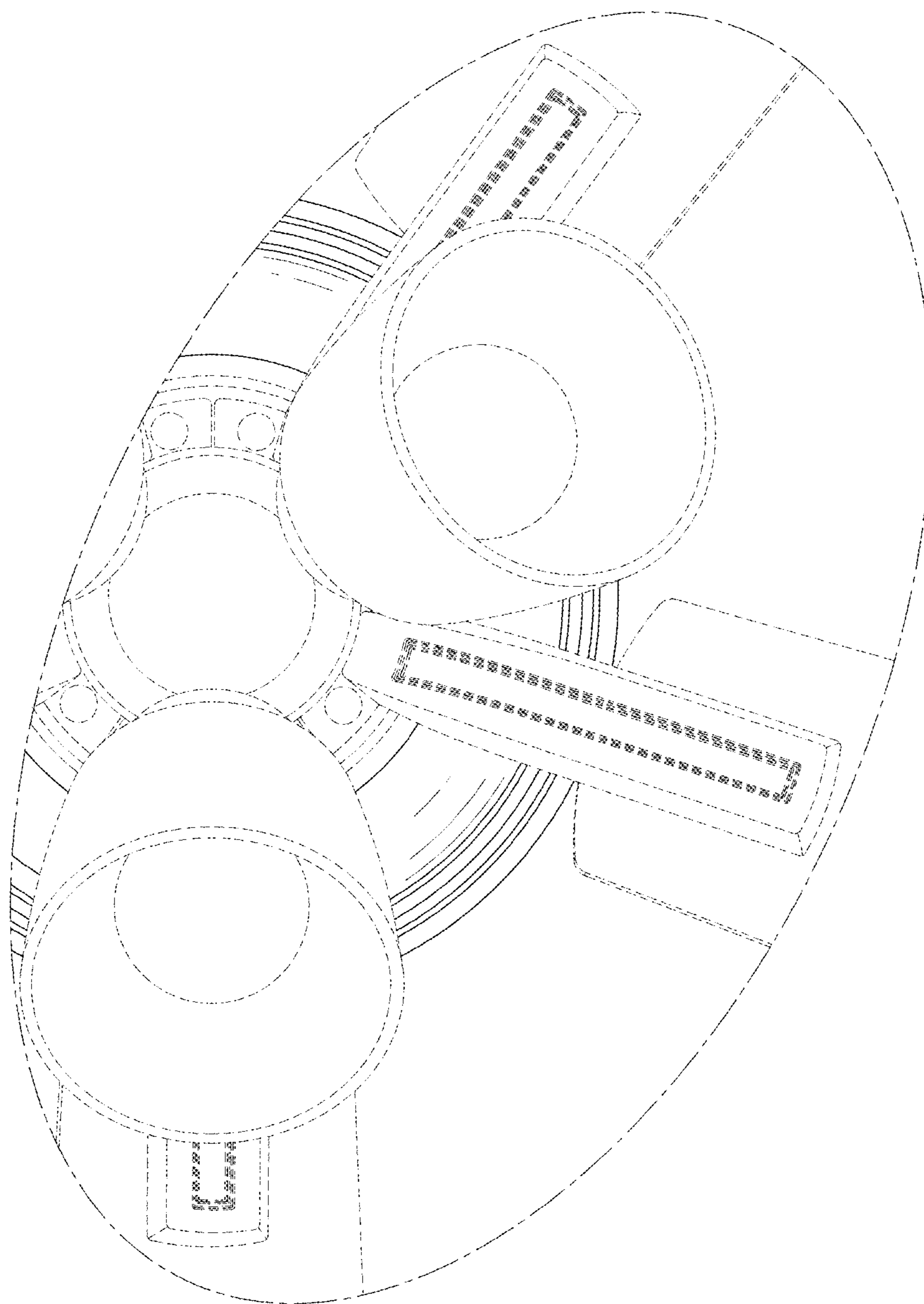


FIG. 13

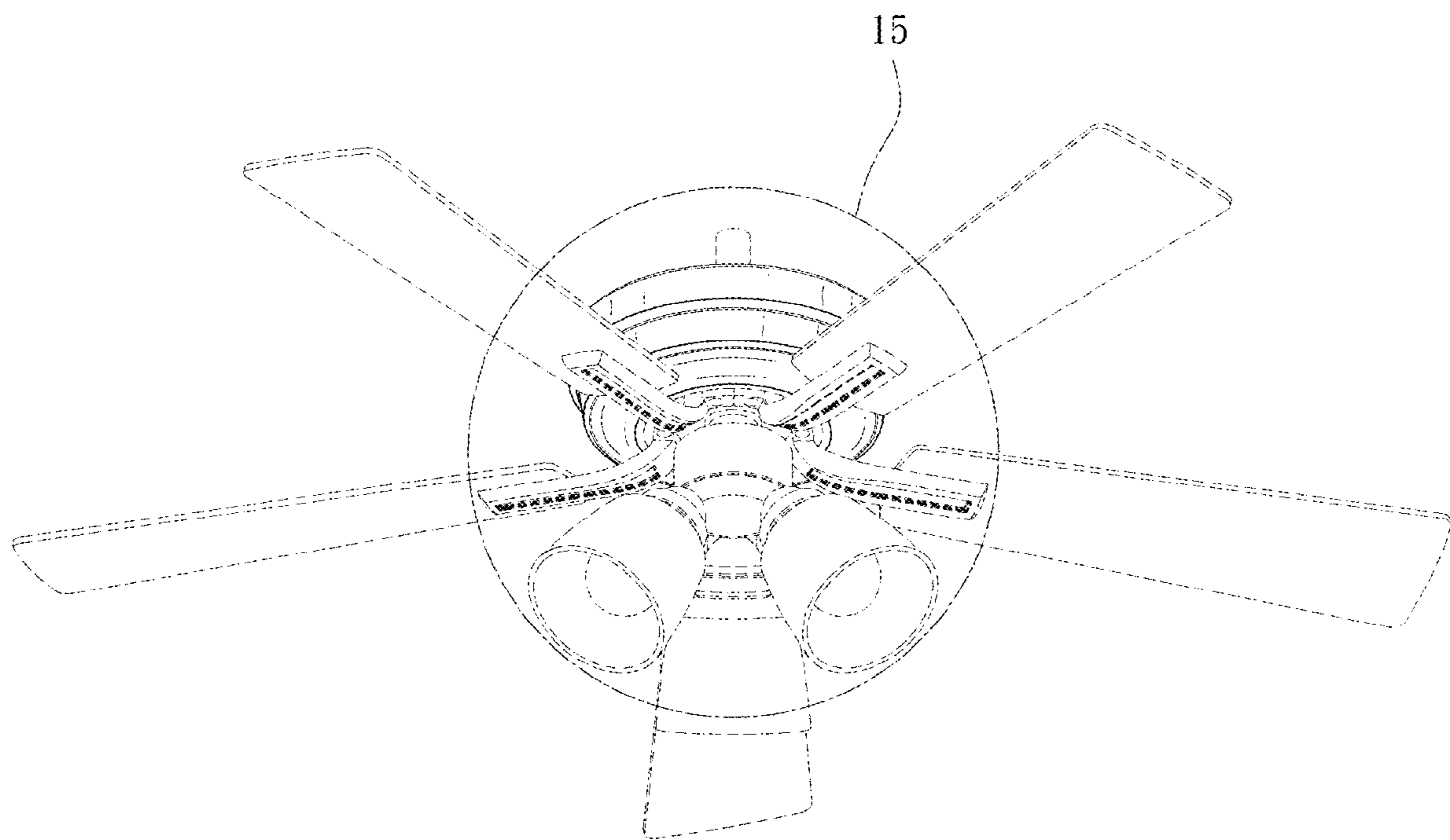


FIG. 14

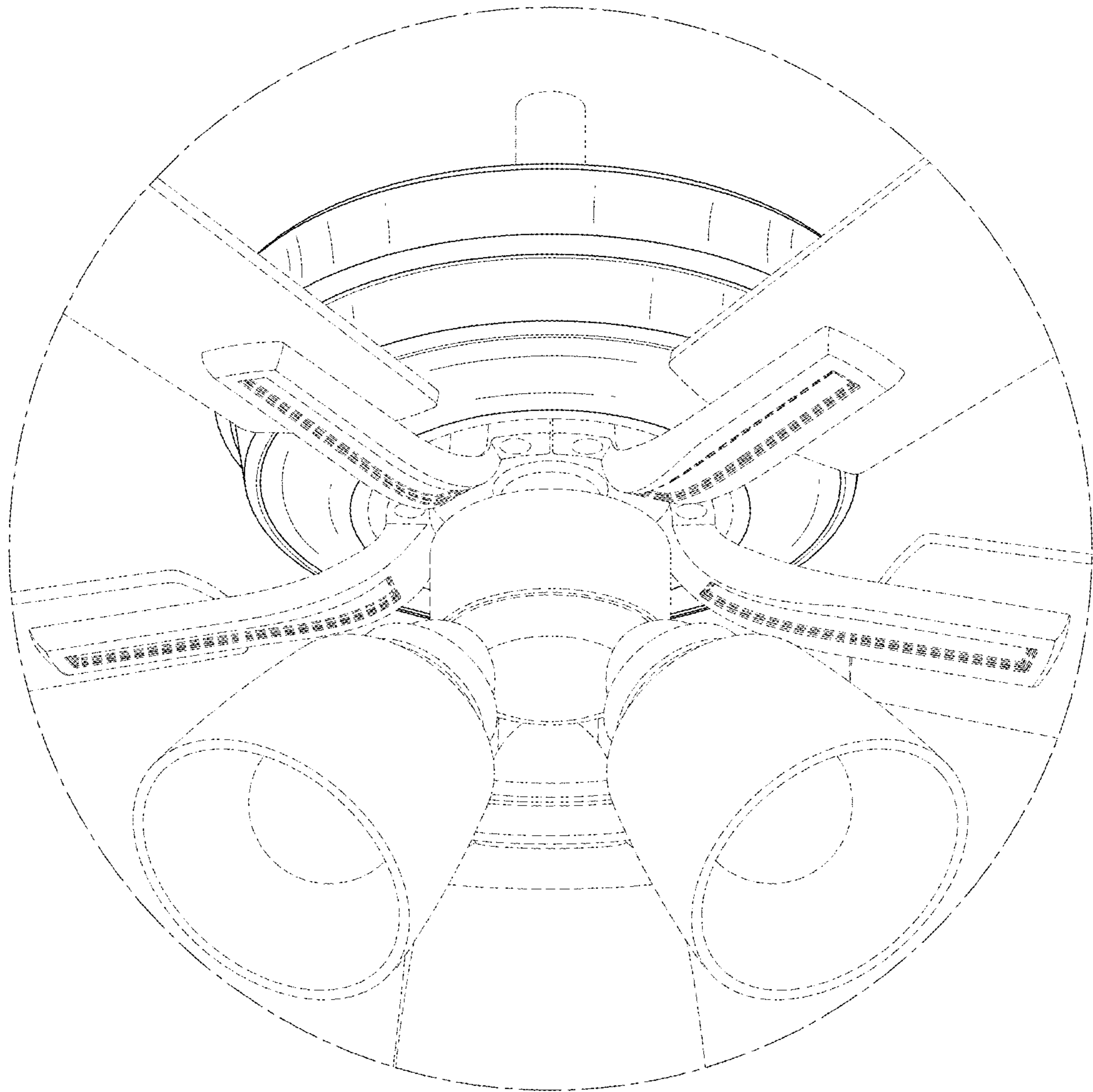


FIG. 15