

US00D967387S

(12) **United States Design Patent**  
**Kelley**

(10) **Patent No.:** **US D967,387 S**

(45) **Date of Patent:** **\*\* Oct. 18, 2022**

(54) **AIR DIFFUSER**

(71) Applicant: **Mark A. Kelley**, Hahira, GA (US)

(72) Inventor: **Mark A. Kelley**, Hahira, GA (US)

(\*\*) Term: **15 Years**

(21) Appl. No.: **29/775,599**

(22) Filed: **Mar. 24, 2021**

(51) **LOC (13) Cl.** ..... **23-01**

(52) **U.S. Cl.**  
USPC ..... **D23/366**

(58) **Field of Classification Search**  
USPC ..... D23/213, 214, 215, 223, 224, 226, 229,  
D23/230, 360, 366, 372  
CPC ..... A61H 9/0021; A61H 33/00; B05B 1/00;  
B05B 1/14; B05B 1/185; B05B 1/08;  
B05B 1/02; B05B 1/26; B05B 12/002;  
B05B 1/18; B05B 9/01  
See application file for complete search history.

(56) **References Cited**

**U.S. PATENT DOCUMENTS**

D179,617 S *	1/1957	Tupper	.....	D9/428
D235,960 S *	7/1975	Robert	.....	D7/391
4,247,042 A *	1/1981	Schimanski	.....	A01M 1/2044 239/43
D270,468 S *	9/1983	Hoyt	.....	D23/369
D295,676 S *	5/1988	Steiner	.....	D23/366
D631,544 S *	1/2011	Kraft	.....	D24/130
D736,285 S *	8/2015	Hassan	.....	D15/144
D770,897 S *	11/2016	Holmes	.....	A01M 1/2044 D9/500
D857,870 S *	8/2019	Yang	.....	D23/366
D878,537 S *	3/2020	Gobber	.....	D23/366
D913,469 S *	3/2021	Song	.....	D23/365
D914,436 S *	3/2021	Gill	.....	D7/354
D926,957 S *	8/2021	Zhou	.....	D23/356
D930,481 S *	9/2021	Sterling	.....	D9/521

D947,348 S *	3/2022	Damavandi	.....	D23/366
D952,827 S *	5/2022	Kaye	.....	D23/366
2020/0180487 A1 *	6/2020	Brown	.....	B65D 25/20

**FOREIGN PATENT DOCUMENTS**

CN 107267982 A \* 10/2017 ..... B05B 7/228

**OTHER PUBLICATIONS**

Roundup 181331 Brass Adjustable Nozzle, Feb. 1, 2017, amazon.ca, Jun. 24, 2022, URL: <https://www.amazon.ca/Roundup-181331-Brass-Adjustable-Nozzle/dp/B01N3AG5O1/> (Year: 2017).\*  
Dannisly 5pcs Aluminum Alloy Little Impale Spike Polished Valve, Jul. 12, 2021, amazon.ca, Jun. 24, 2022, URL: <https://www.amazon.ca/dp/B09993CH88/> (Year: 2021).\*  
Sewer Cleaning Nozzle, Oct. 30, 2019, amazon.ca, Jun. 24, 2022, URL: <https://www.amazon.ca/dp/B07PR9HRDH/> (Year: 2019).\*

\* cited by examiner

*Primary Examiner* — Keith J Wilson  
(74) *Attorney, Agent, or Firm* — Withers & Keys, LLC

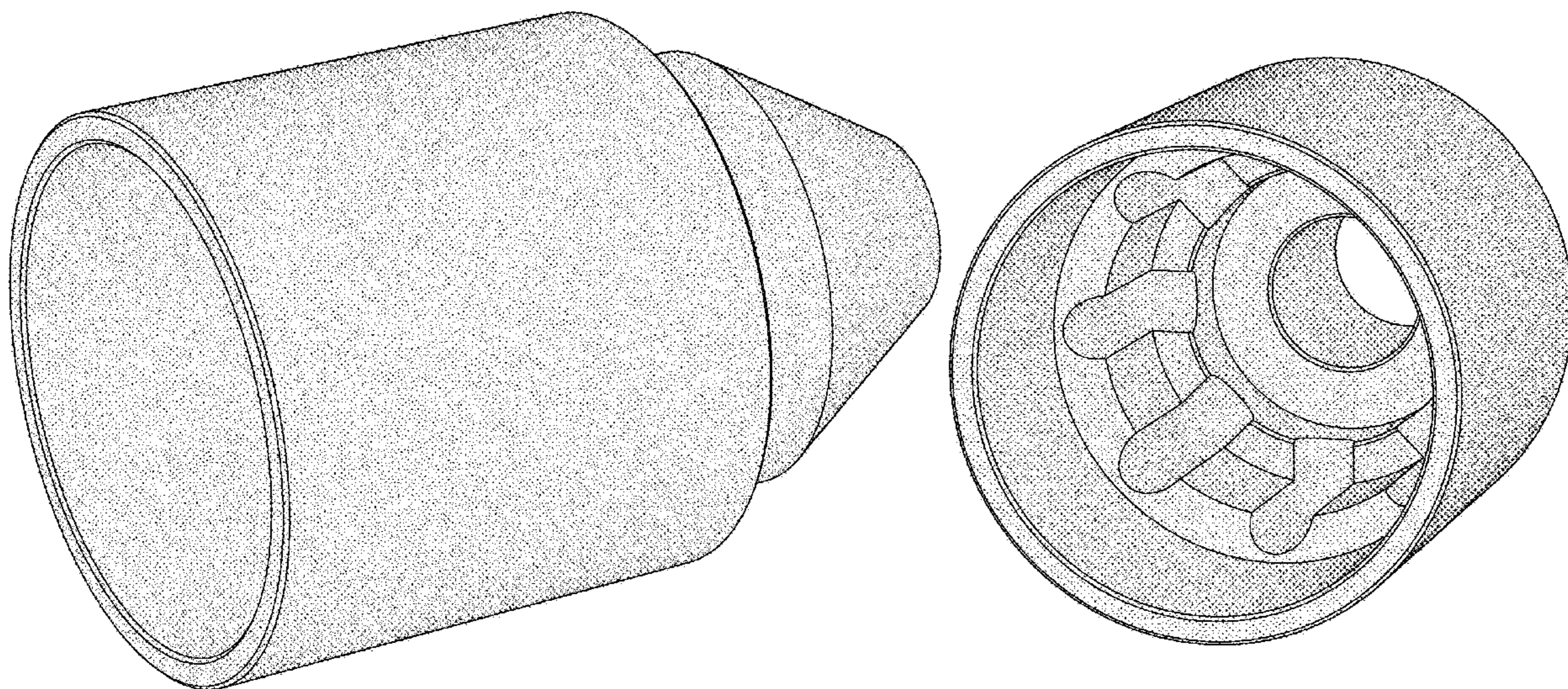
(57) **CLAIM**

The ornamental design for an air diffuser, as shown and described.

**DESCRIPTION**

FIG. 1 is a perspective view of an air diffuser showing my new design;  
FIG. 2 is another perspective view thereof;  
FIG. 3 is a front view thereof;  
FIG. 4 is a rear view thereof;  
FIG. 5 is left-hand view thereof;  
FIG. 6 is a right-hand view thereof;  
FIG. 7 is a top view thereof;  
FIG. 8 is a bottom view thereof;  
FIG. 9 is another right-hand view thereof; and,  
FIG. 10 is a cross-sectional view thereof as viewed along line 10-10 shown in FIG. 9.

**1 Claim, 10 Drawing Sheets**



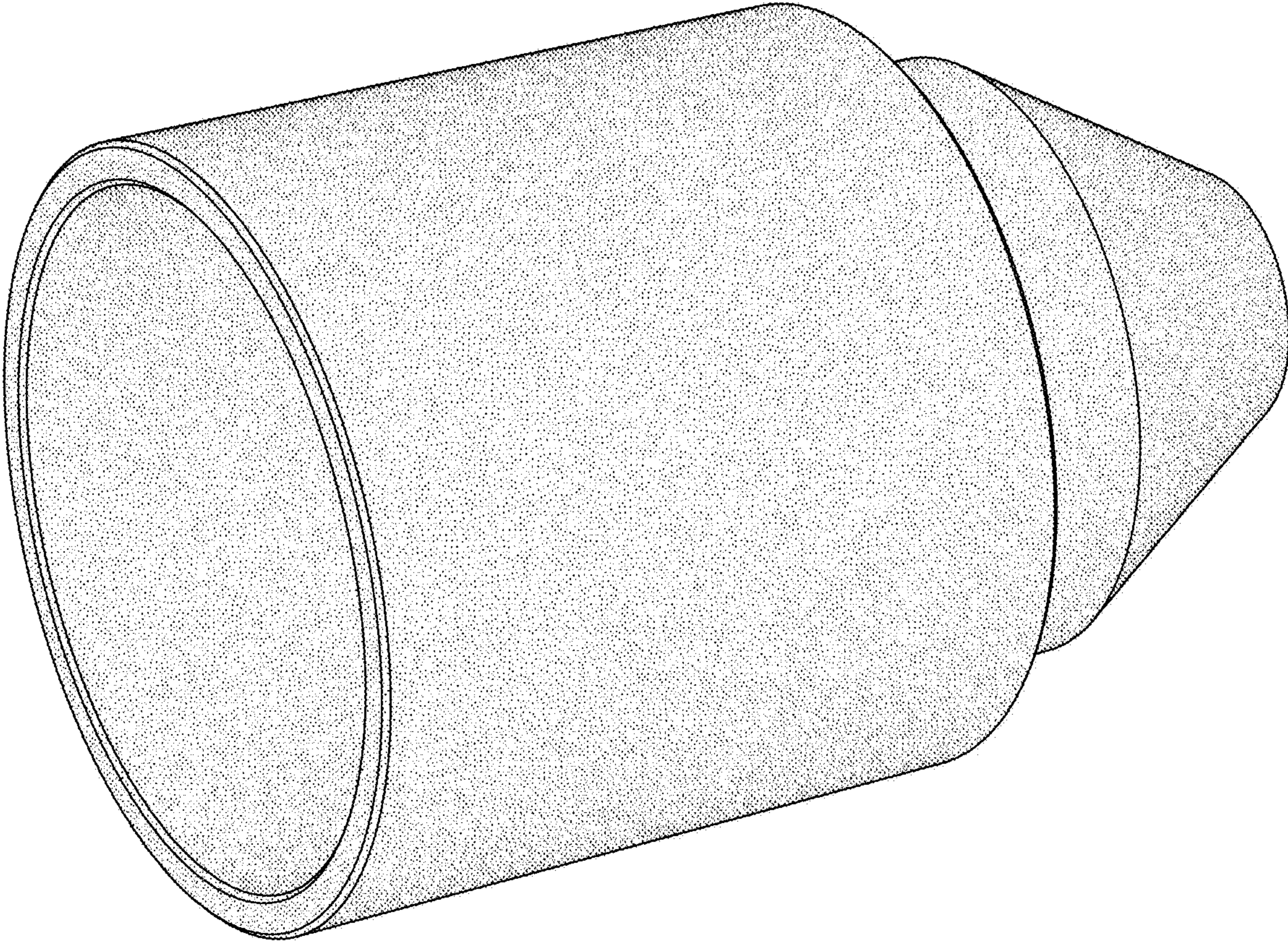


FIG.1

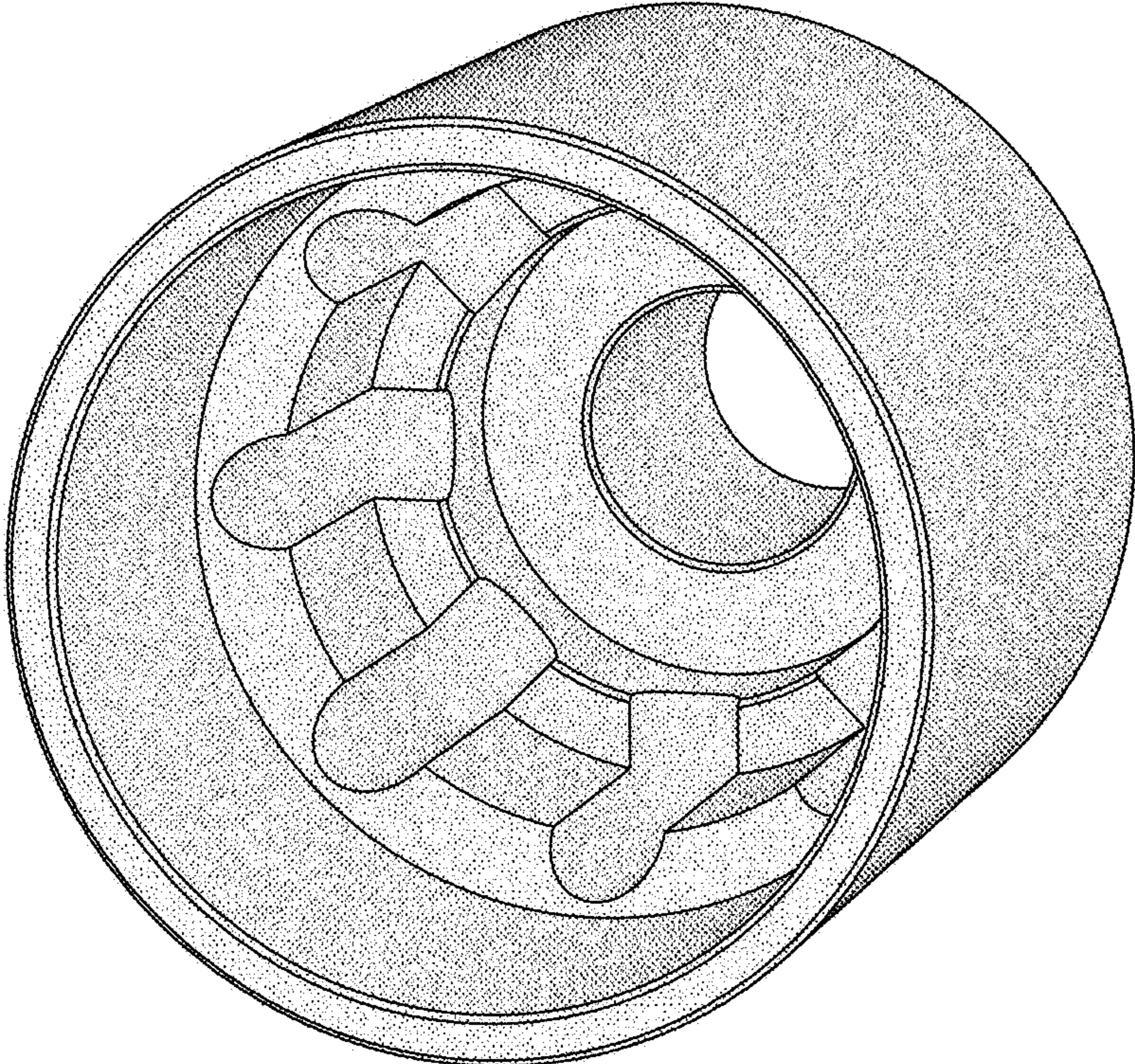


FIG.2

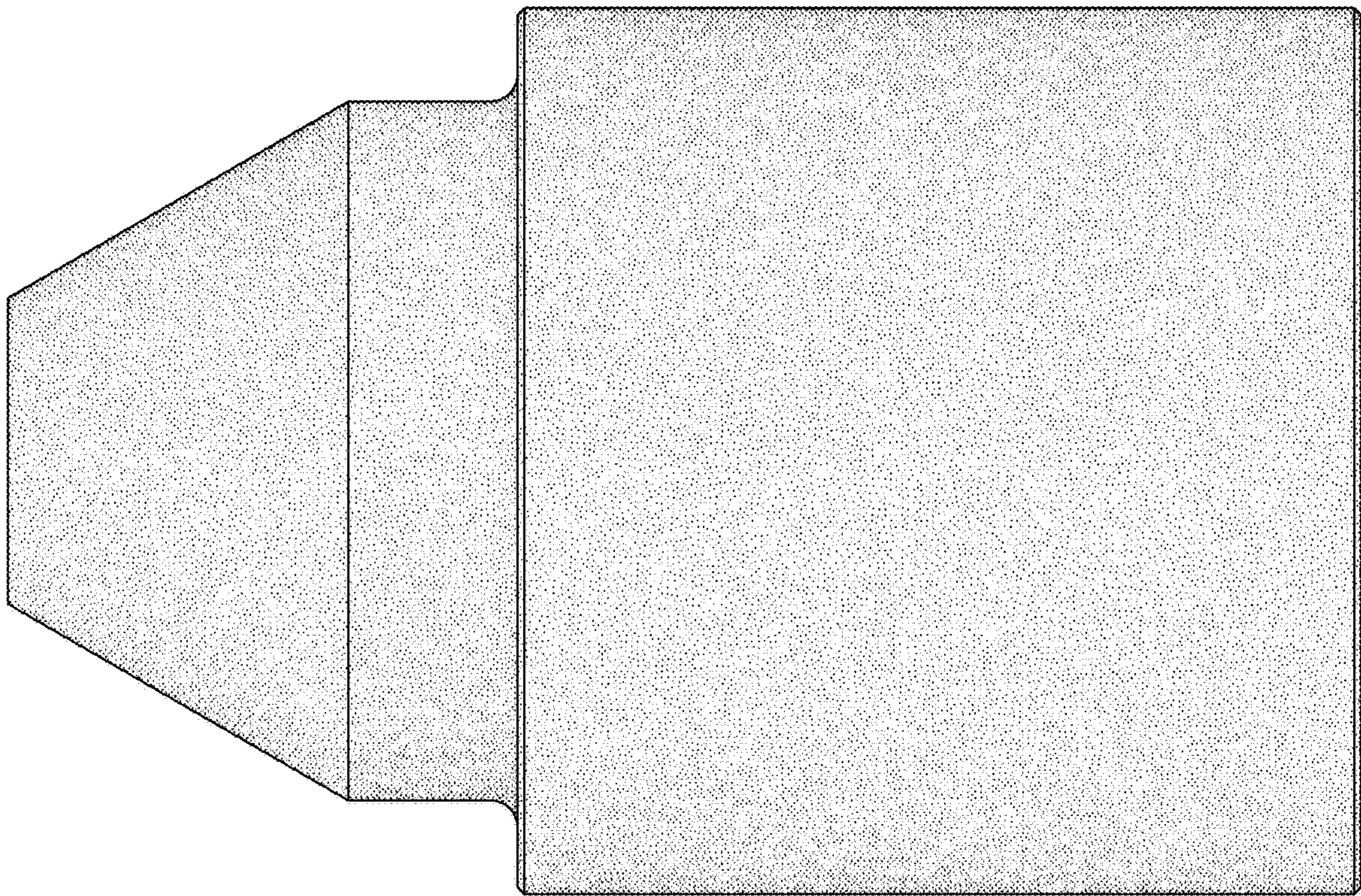


FIG.3

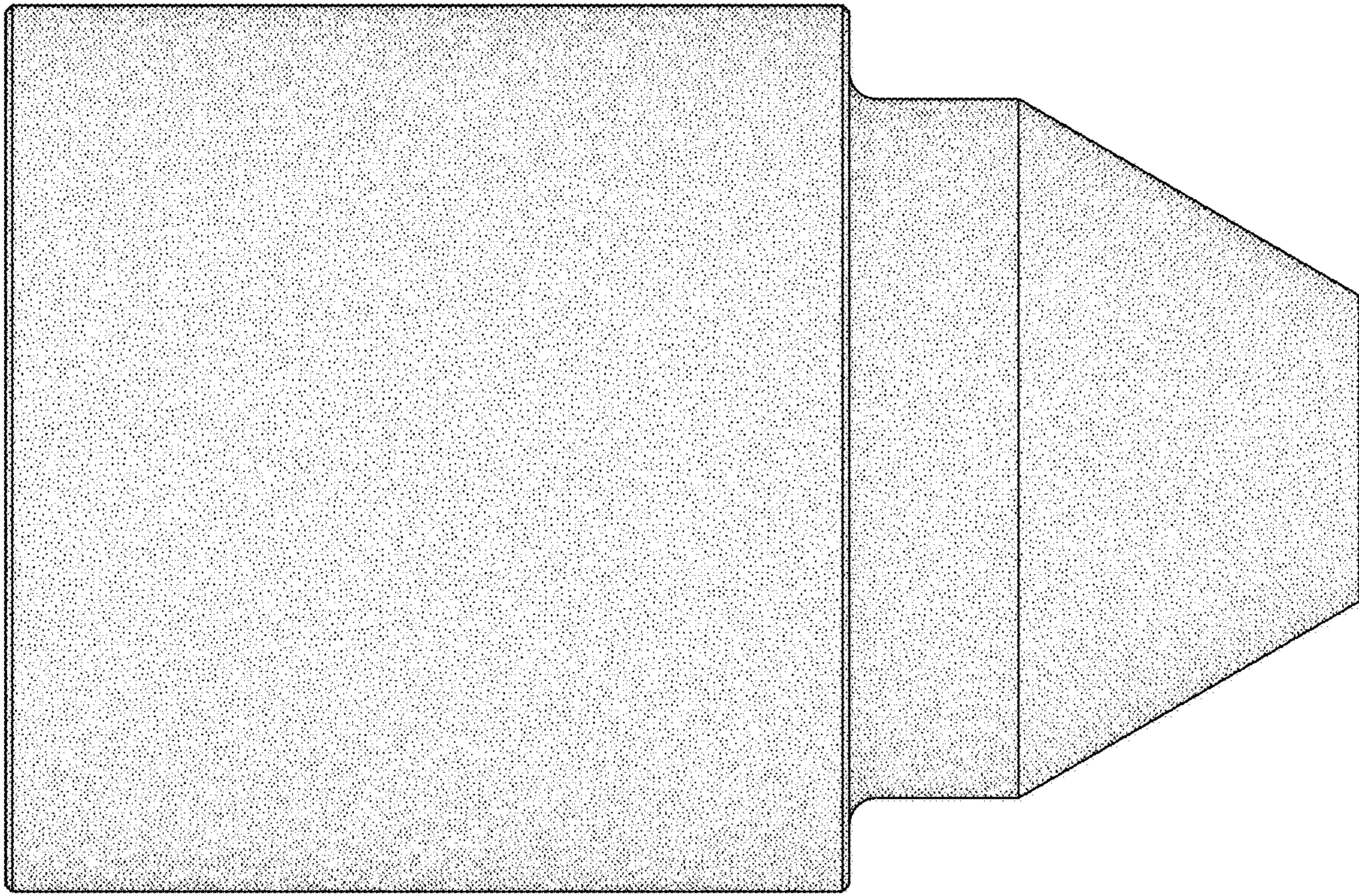


FIG.4

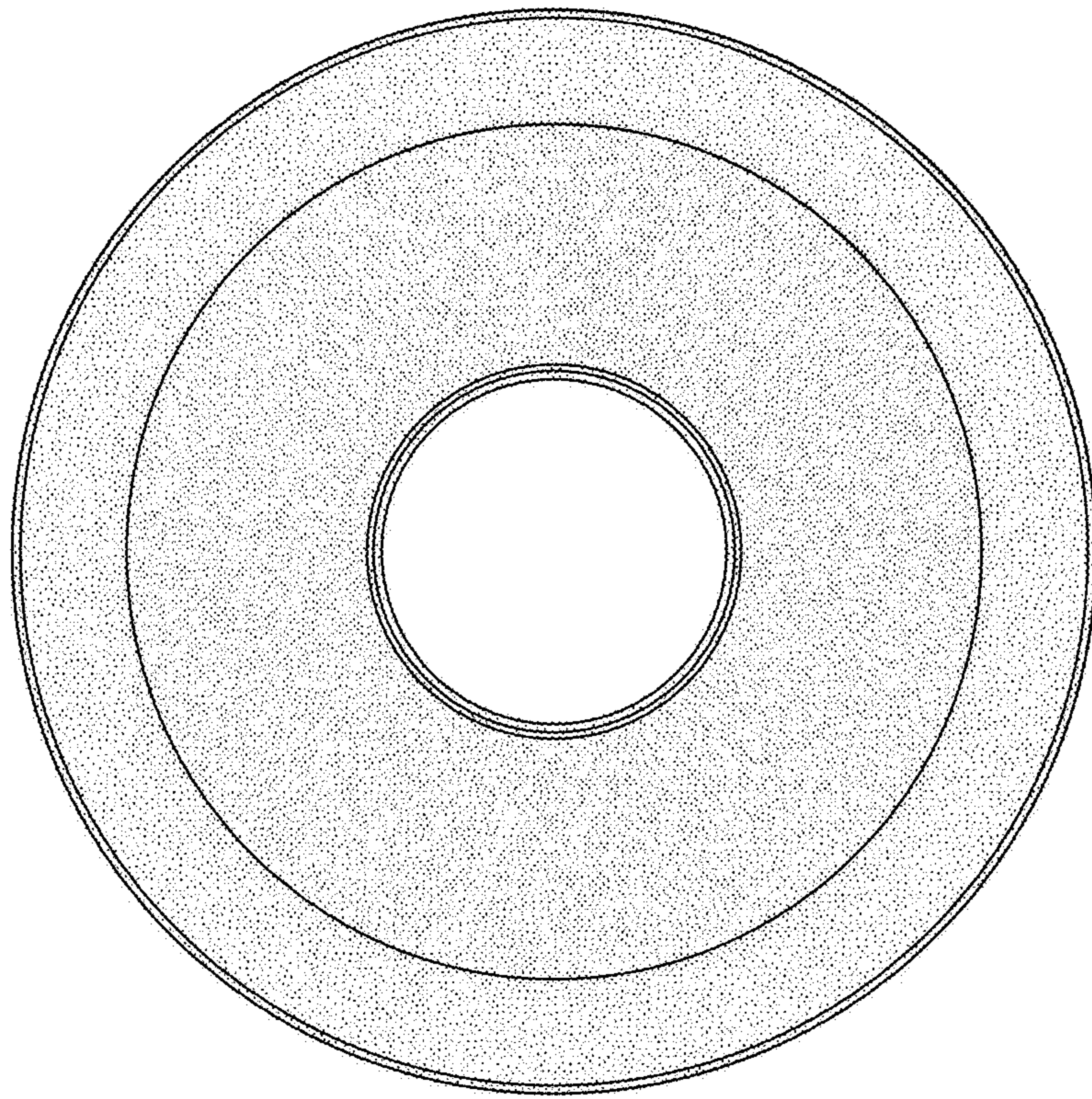


FIG.5

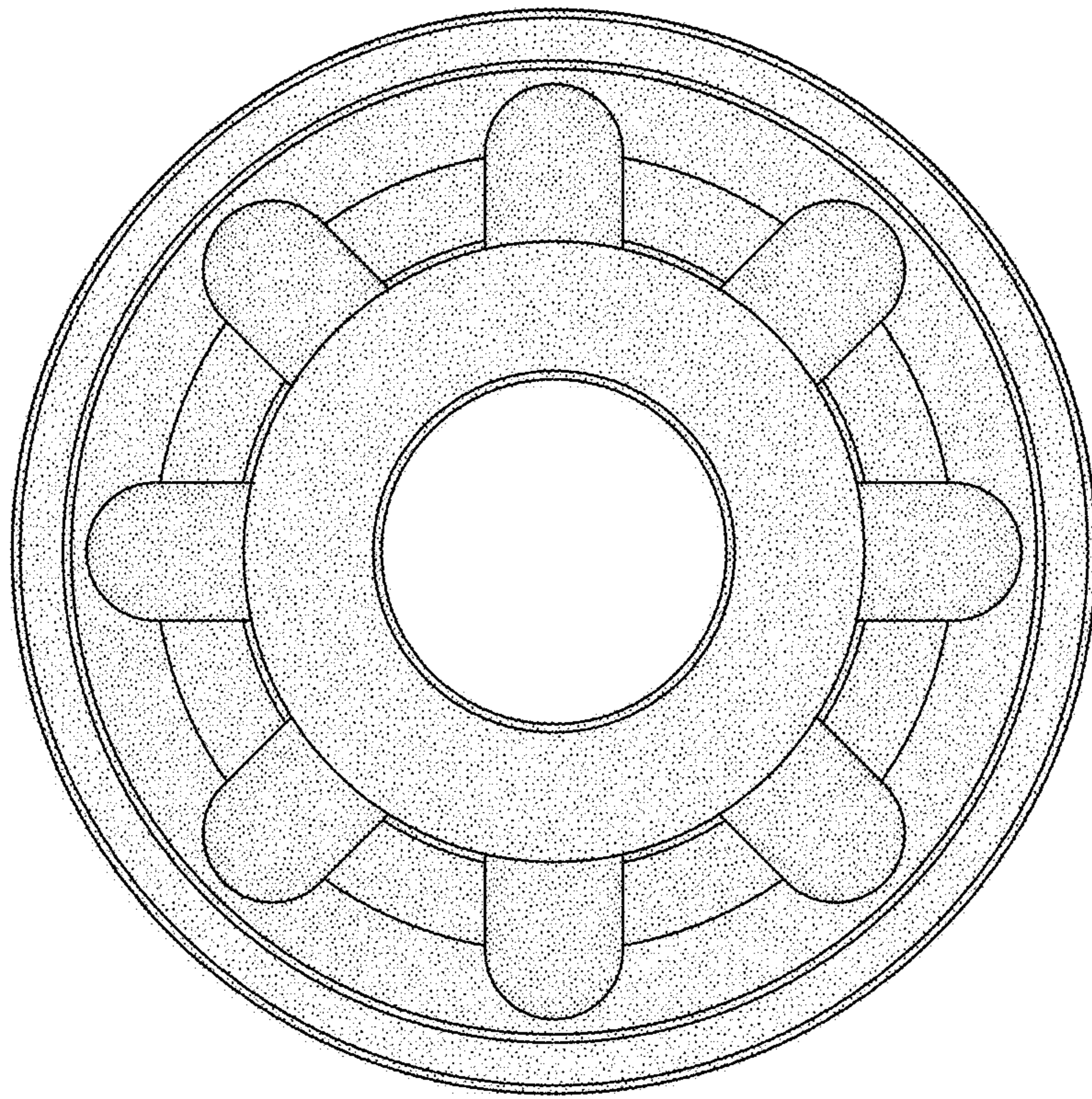


FIG.6

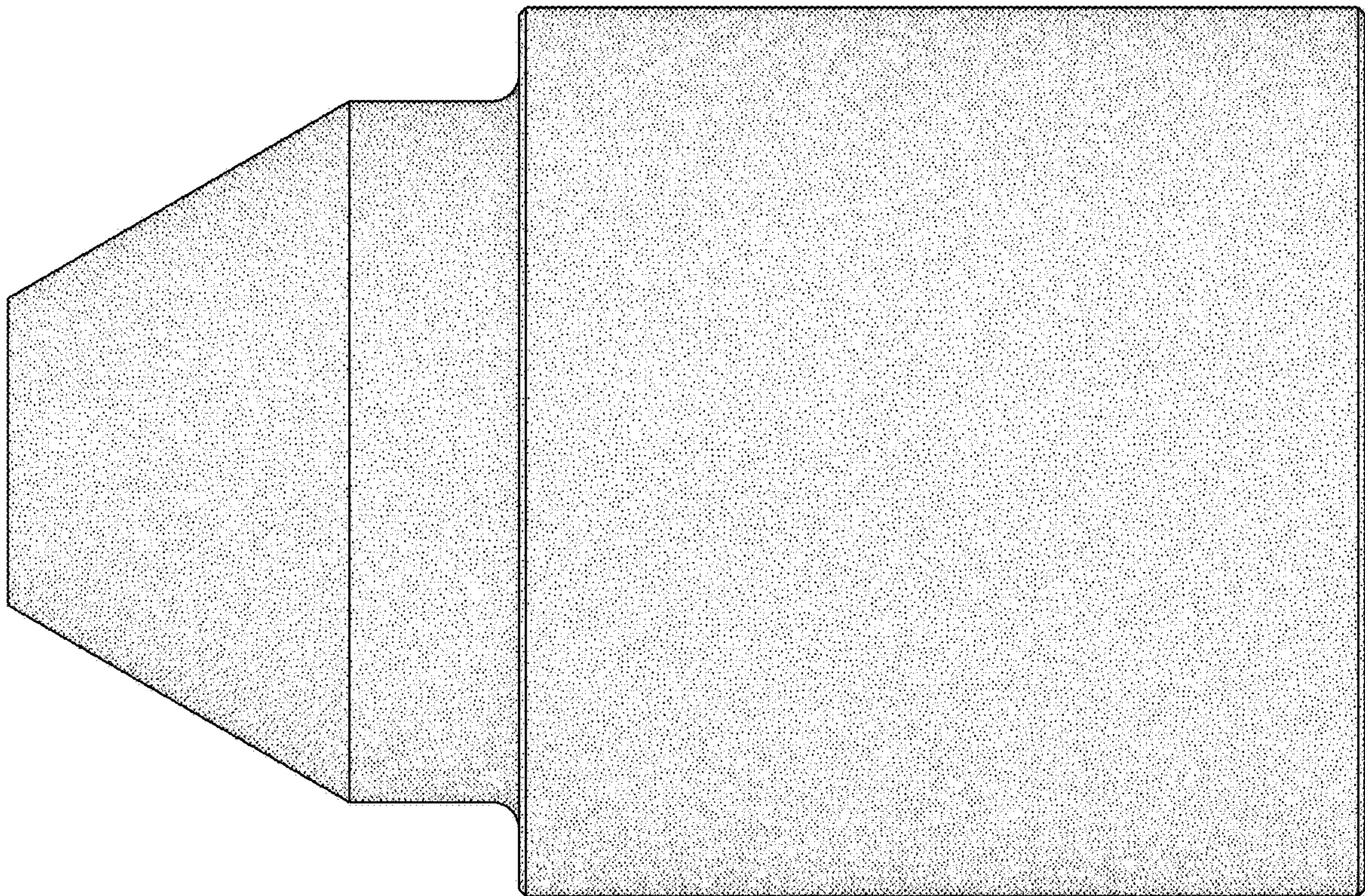


FIG.7



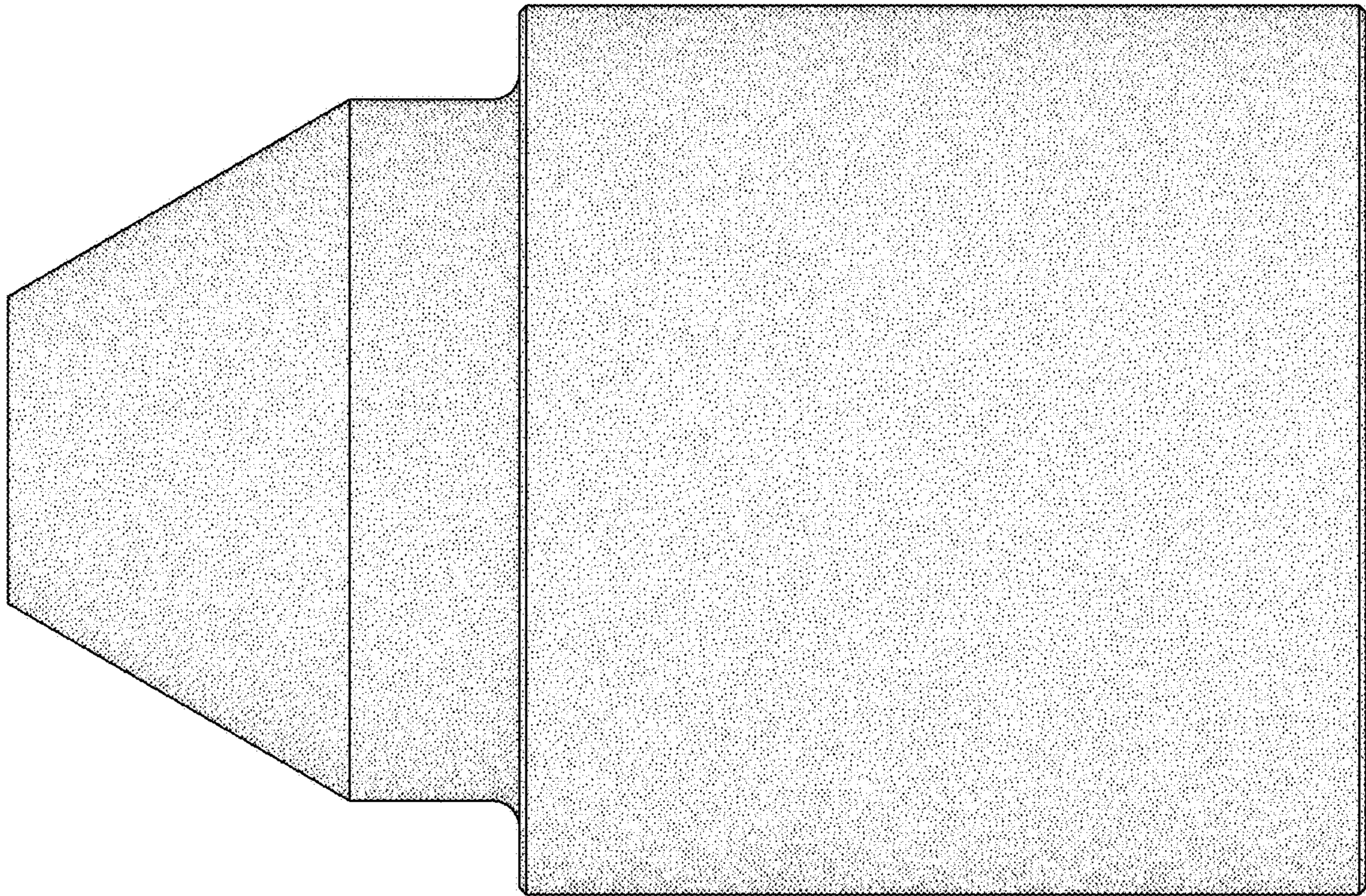


FIG.8

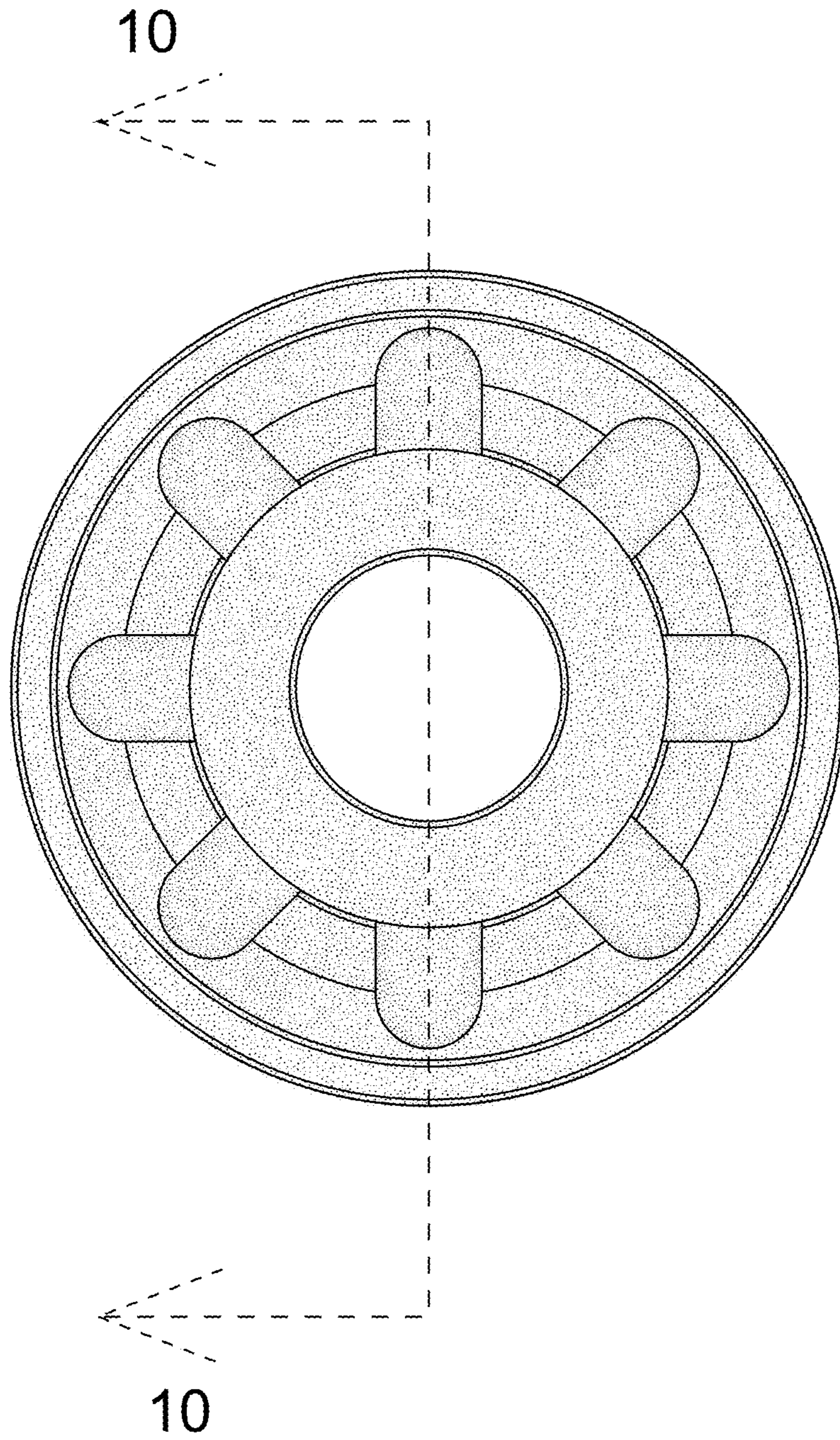


FIG. 9

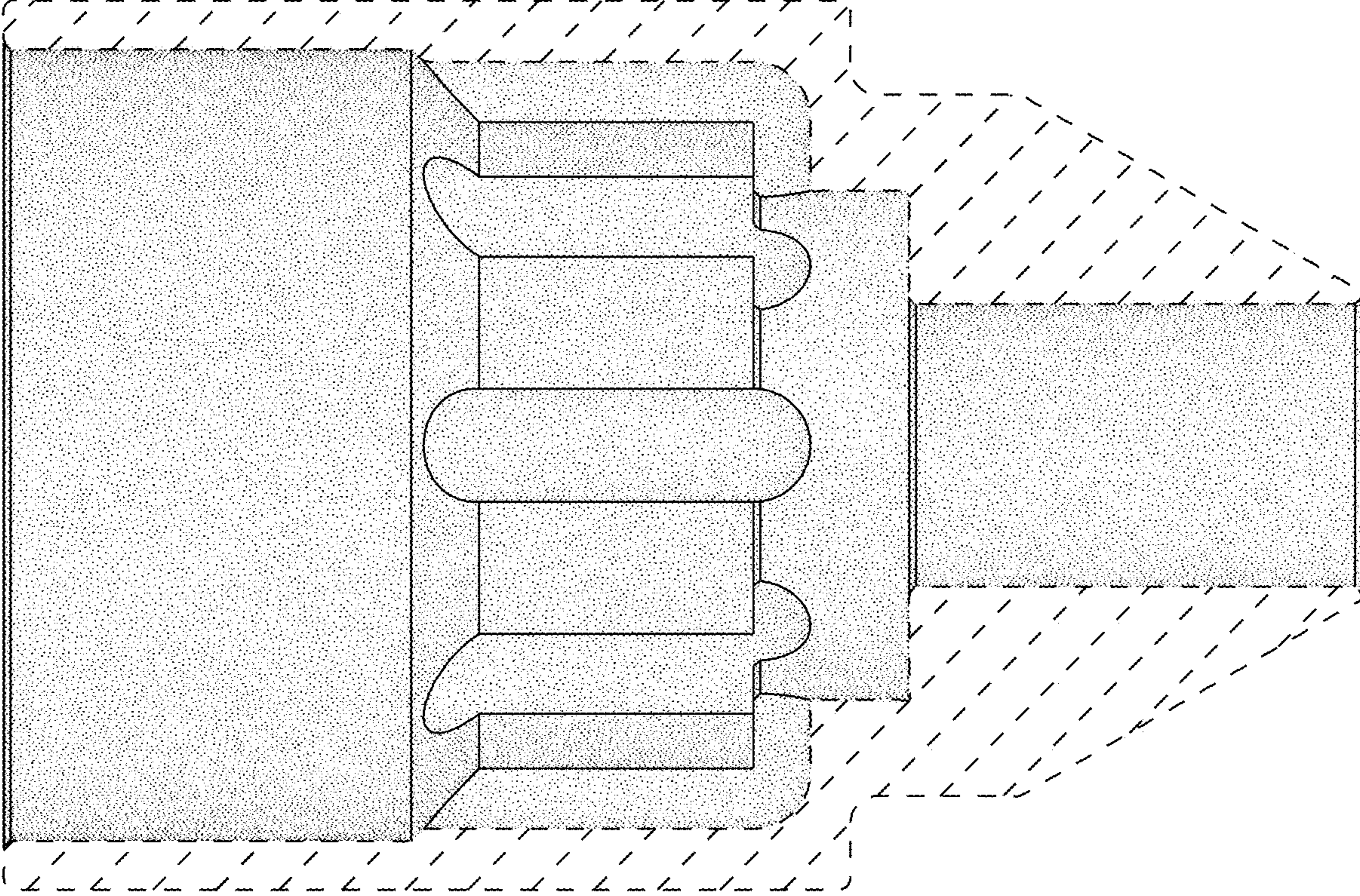


FIG.10