

US00D967386S

(12) **United States Design Patent** (10) **Patent No.:** **US D967,386 S**
Stout et al. (45) **Date of Patent:** **** Oct. 18, 2022**

(54) **REED DIFFUSER**
(71) Applicant: **Paddywax, LLC**, Nashville, TN (US)
(72) Inventors: **Cartter Stout**, Nashville, TN (US);
Mickenzie Smith, Nashville, TN (US);
Samuel Joseph Moore, Nashville, TN (US)

D711,525 S * 8/2014 Sanders D23/366
D786,079 S * 5/2017 Ibáñez D9/558
D884,121 S * 5/2020 DeAngelo D23/209
D896,123 S * 9/2020 Fernandez D11/152
D947,715 S * 4/2022 Cossu D11/154
2009/0101729 A1* 4/2009 Newman A61L 9/127
210/799

* cited by examiner

(73) Assignee: **Paddywax, LLC**, Nashville, TN (US)
(**) Term: **15 Years**

Primary Examiner — Gino Colan
Assistant Examiner — David Obrien
(74) *Attorney, Agent, or Firm* — United IP Counselors, LLC

(21) Appl. No.: **29/757,000**

(22) Filed: **Nov. 2, 2020**

(51) **LOC (13) Cl.** **23-04**

(57) **CLAIM**

(52) **U.S. Cl.**
USPC **D23/366**

The ornamental design for a reed diffuser, as shown and described.

(58) **Field of Classification Search**

DESCRIPTION

USPC D7/509, 510; D11/143, 152, 153, 154;
D14/195, 204, 216, 221, 228, 242;
D23/207, 208, 209, 213, 223, 333, 335,
D23/336, 342, 351, 352, 353, 355, 356,
D23/359, 360, 362, 364–366, 370;
D24/108, 112, 129, 206; D26/26, 37, 40,
D26/46, 49; D9/425, 529, 558, 560
CPC F24F 6/00; F24F 6/06; F24F 6/12; F24F
6/14; F24F 1/00; F24F 1/01; F24F 1/02;
F24F 1/022; F24F 7/065; A47G 7/06;
A61M 11/02; A61M 11/041; A61L 9/01;
A61L 9/00; A61L 9/03; A61L 9/12; A61L
9/122; A61L 9/127; A61L 2209/11; A61L
2209/14; A61L 2209/133; Y10S 261/17;
Y10S 261/88; Y10S 261/89; B01D 46/10;
B01D 46/0005; B01D 46/2411

FIG. 1 is a perspective view of a reed diffuser, illustrating our new design, shown with environmental structure in broken lines;
FIG. 2 is an enlarged perspective view of the reed diffuser of FIG. 1;
FIG. 3 is a front elevational view of the reed diffuser of FIG. 1;
FIG. 4 is a left side elevational view of the reed diffuser of FIG. 1;
FIG. 5 is a right side elevational view of the reed diffuser of FIG. 1;
FIG. 6 is a rear elevational view of the reed diffuser of FIG. 1;
FIG. 7 is a top plan view of the reed diffuser of FIG. 1; and, FIG. 8 is a bottom plan view of the reed diffuser of FIG. 1. The environmental structures shown in broken lines form no part of the claim.

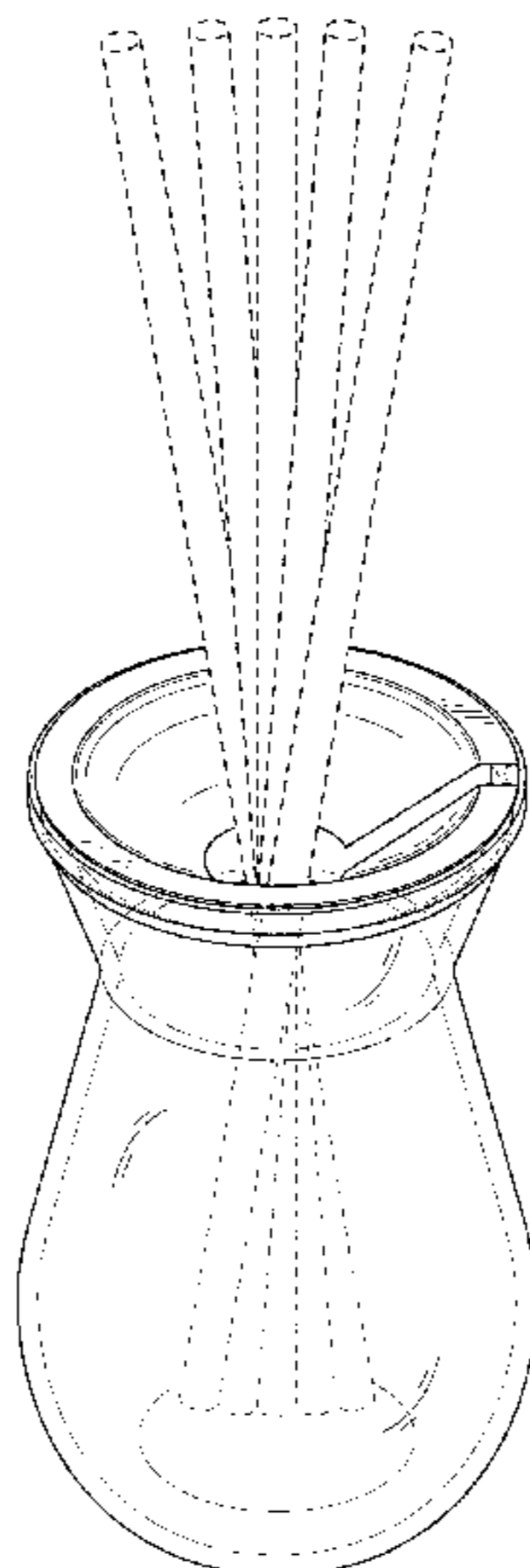
See application file for complete search history.

(56) **References Cited**

U.S. PATENT DOCUMENTS

D542,707 S * 5/2007 Kolokotronis D11/153
D635,403 S * 4/2011 Conway D23/355

1 Claim, 8 Drawing Sheets



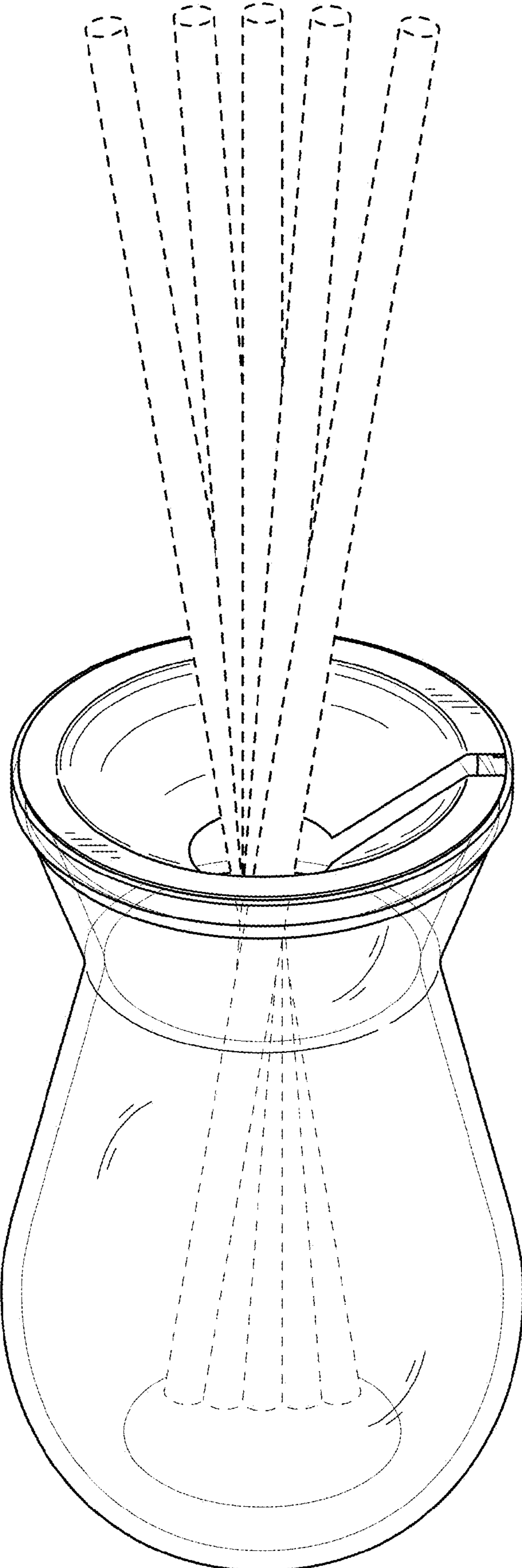


FIG. 1



FIG. 2

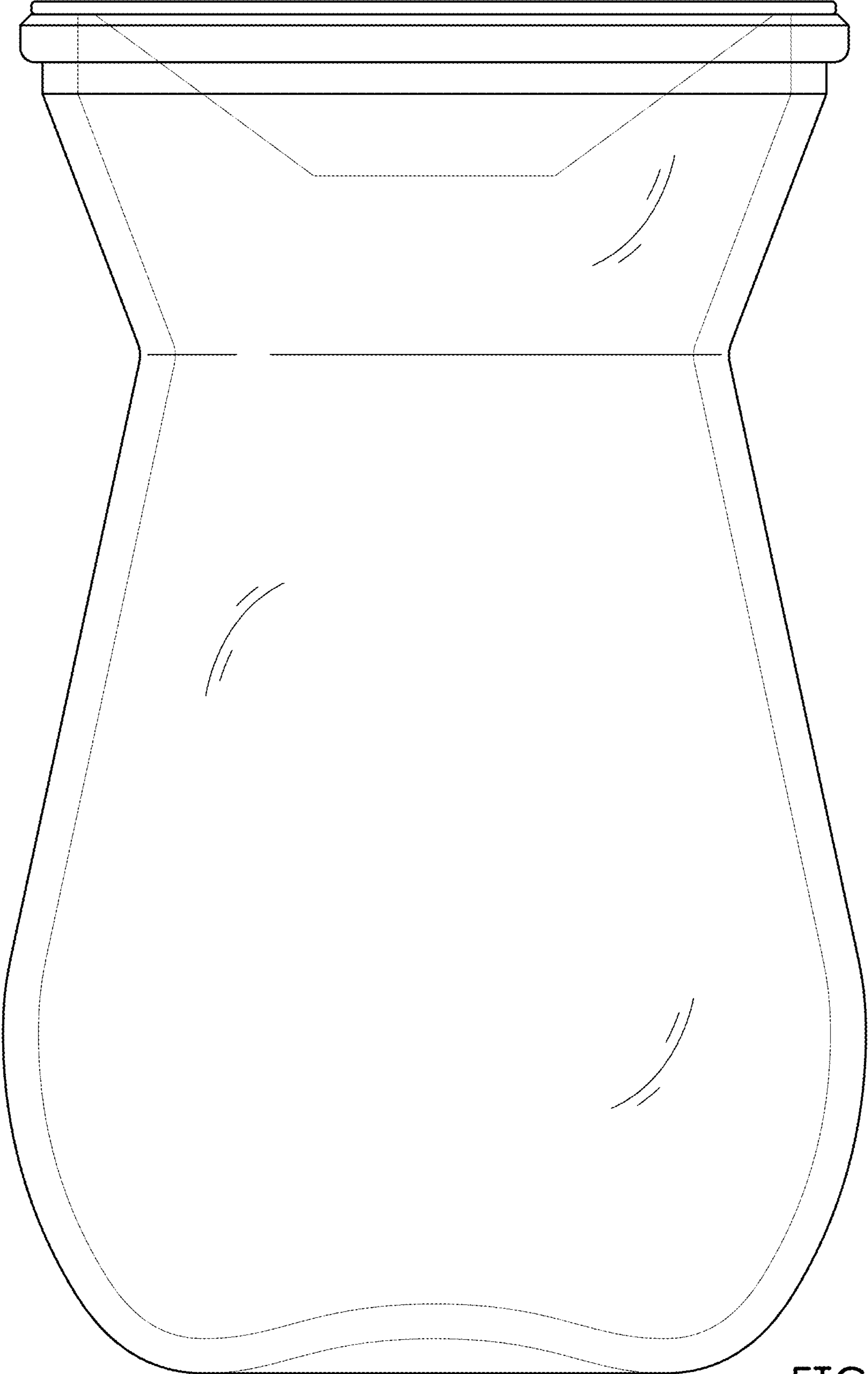


FIG. 3

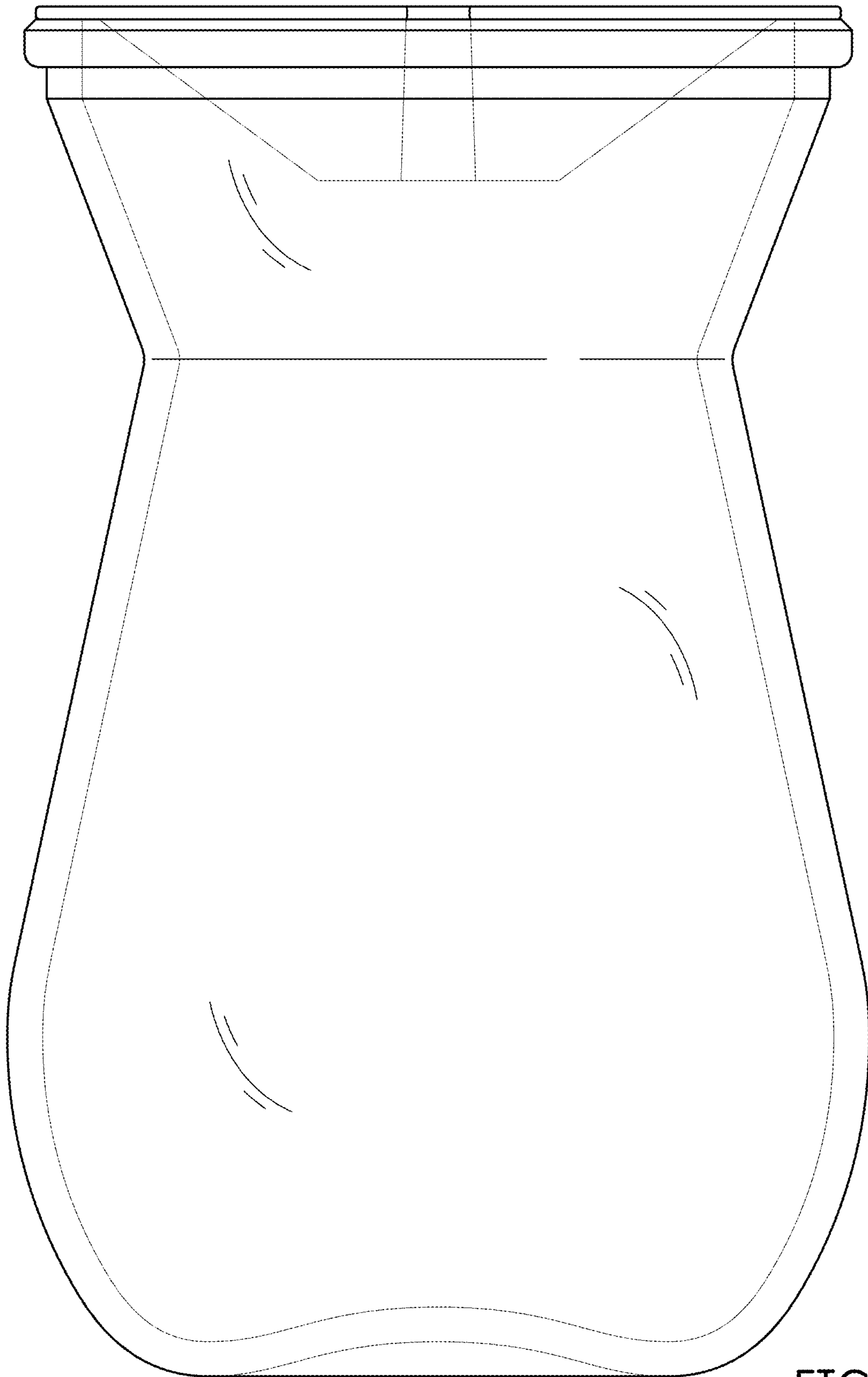


FIG. 4

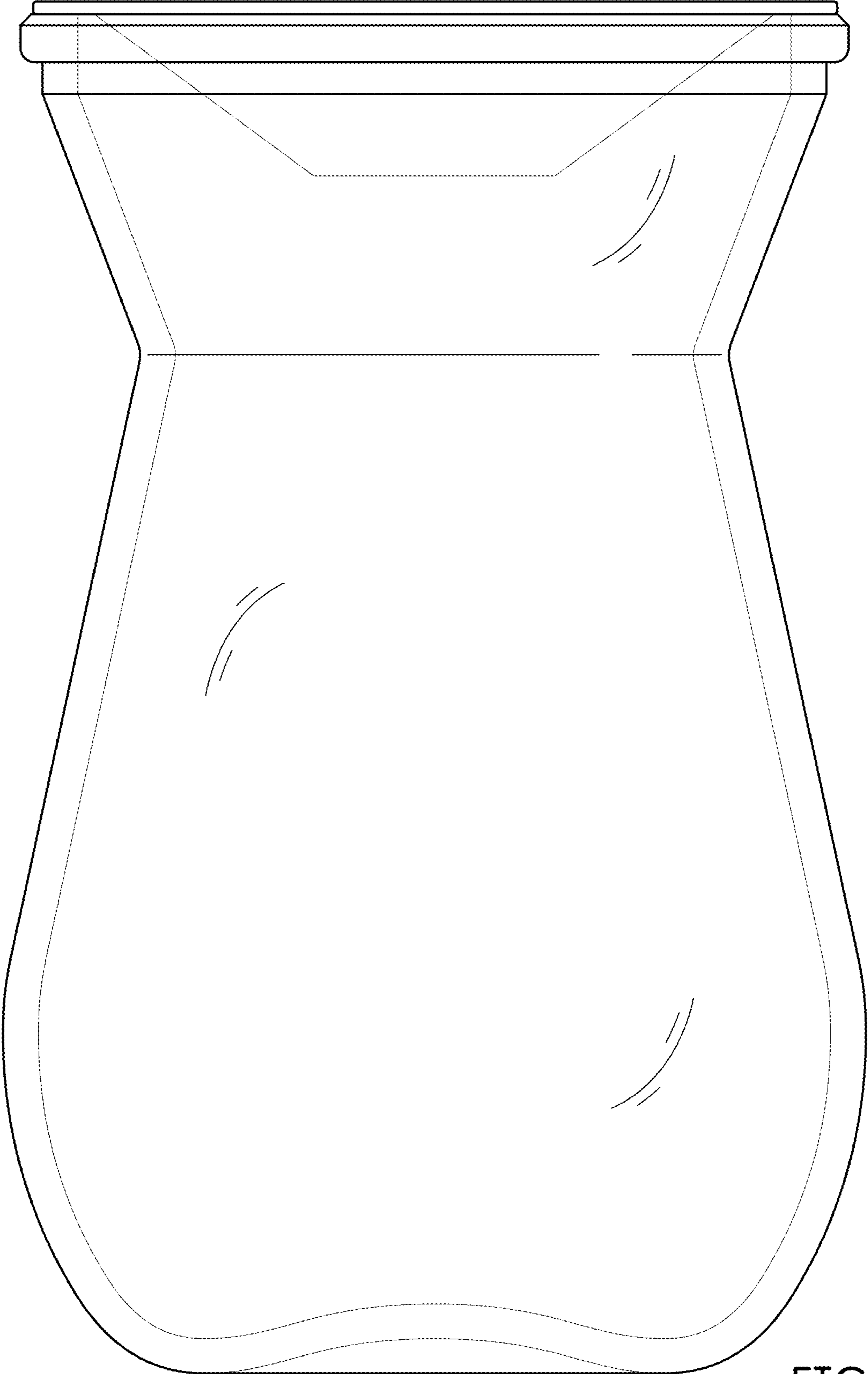


FIG. 5

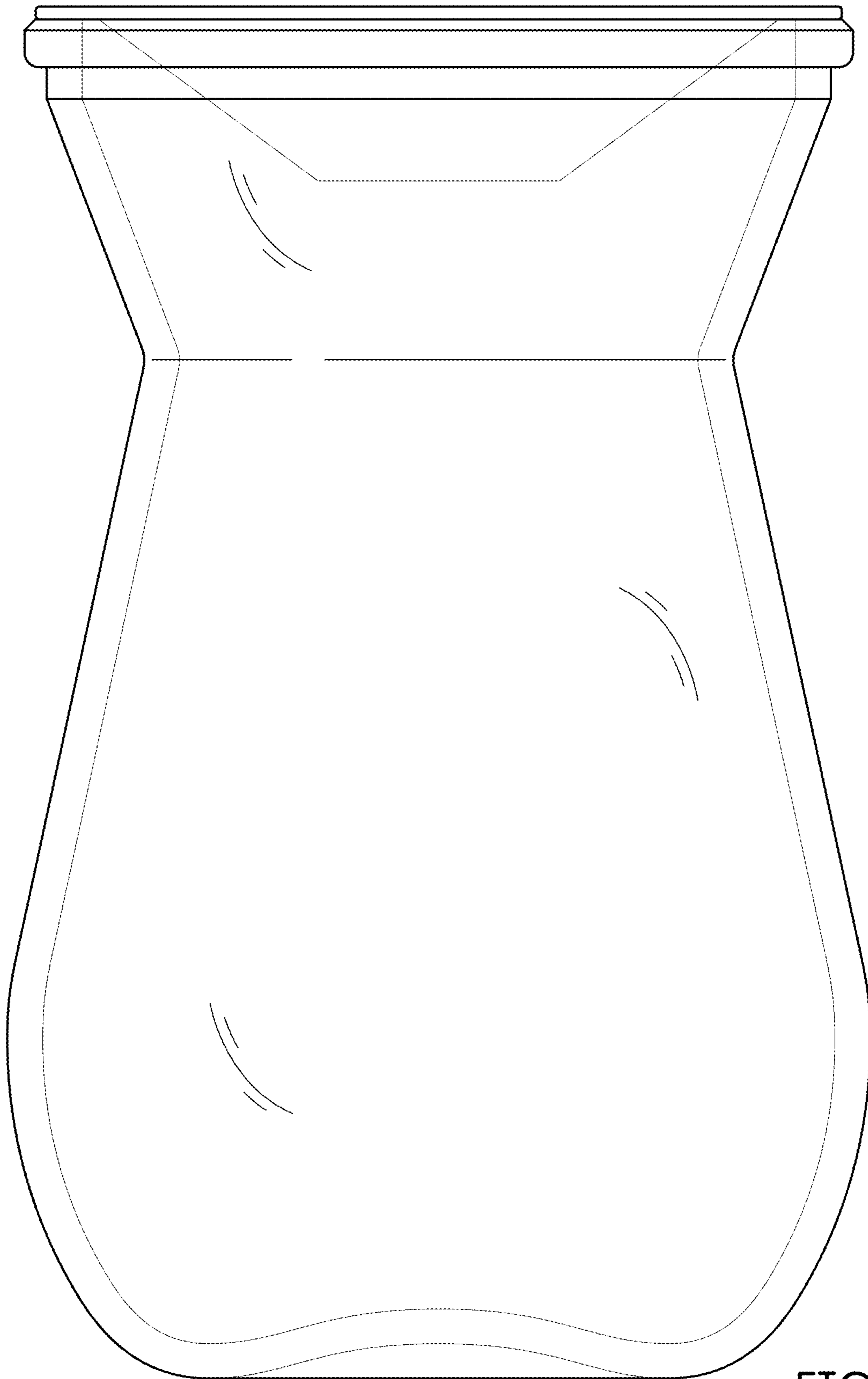


FIG. 6

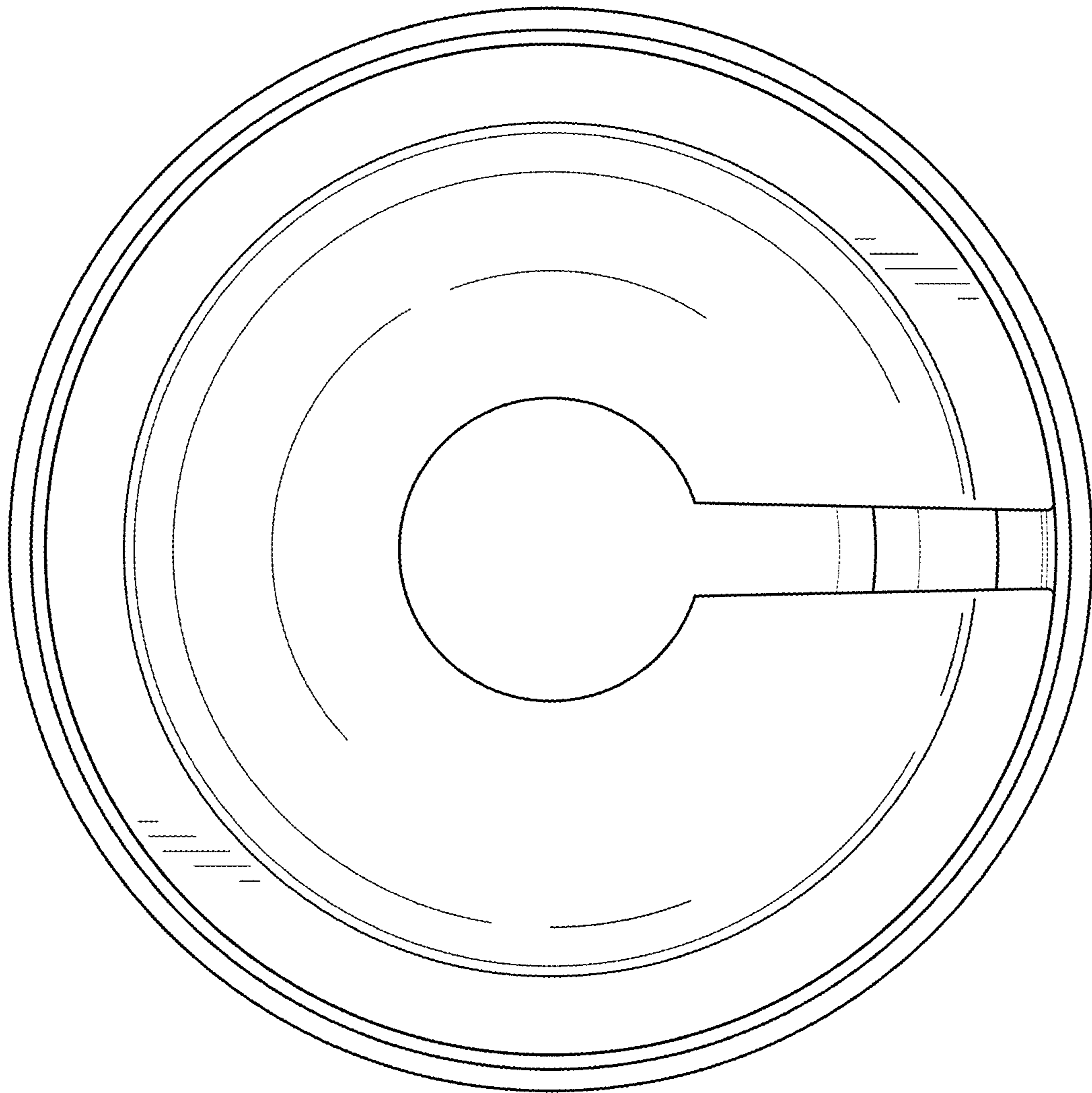


FIG. 7

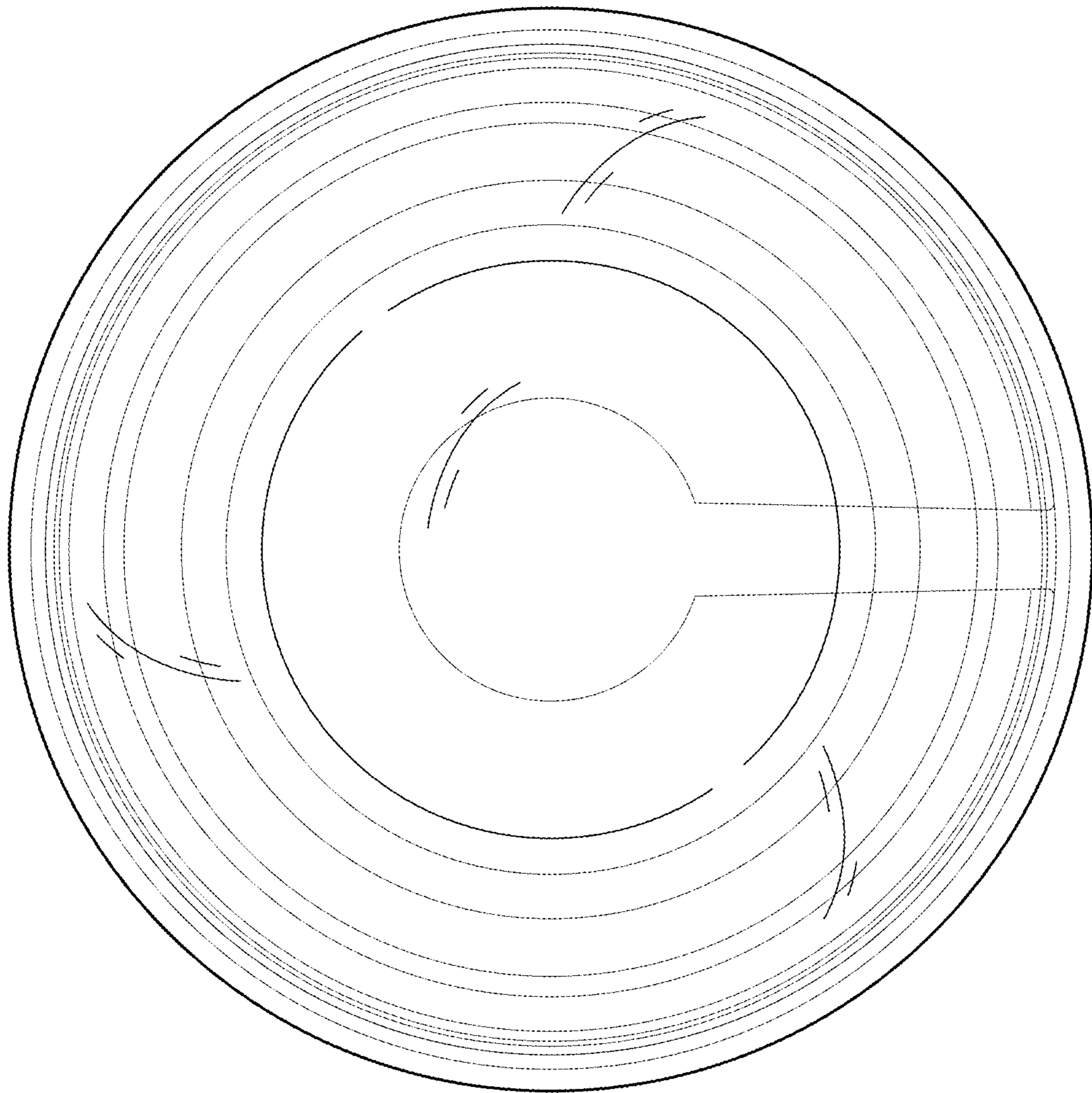


FIG. 8