

US00D967384S

(12) **United States Design Patent**
Horner et al.

(10) **Patent No.:** **US D967,384 S**
(45) **Date of Patent:** **** Oct. 18, 2022**

- (54) **FLUID TRAP**
- (71) Applicant: **Megadyne Medical Products, Inc.**,
Draper, UT (US)
- (72) Inventors: **Shawn K. Horner**, Woods Cross, UT
(US); **Chad S. Frampton**, American
Fork, UT (US); **Darcy W. Greep**,
Herriman, UT (US)
- (73) Assignee: **Megadyne Medical Products, Inc.**,
Draper, UT (US)

- 4,396,206 A 8/1983 Tsuge et al.
 - 4,619,672 A 10/1986 Robertson
 - 4,701,193 A 10/1987 Robertson et al.
 - 4,786,298 A 11/1988 Billet et al.
 - 4,788,298 A 11/1988 Wang
- (Continued)

FOREIGN PATENT DOCUMENTS

- WO 9408698 4/1994
 - WO 2016142690 9/2016
- (Continued)

OTHER PUBLICATIONS

Bovie 35 hour filter found online [Sep. 11, 2018] —<http://www.boviemedical.com/smoke-shark-ii/>.

(Continued)

Primary Examiner — John A Voytek

(74) *Attorney, Agent, or Firm* — Workman Nydegger

- (**) Term: **15 Years**
- (21) Appl. No.: **29/760,171**
- (22) Filed: **Nov. 30, 2020**

Related U.S. Application Data

- (63) Continuation of application No. 29/627,794, filed on
Nov. 29, 2017, now Pat. No. Des. 912,762.
- (51) **LOC (13) Cl.** **23-04**
- (52) **U.S. Cl.**
USPC **D23/365; D24/107**
- (58) **Field of Classification Search**
USPC D23/209, 235, 341, 358, 363–365, 393;
D24/232–234
CPC F02M 35/04; F02M 35/10; F02M 35/024;
B01D 46/0002; B01D 46/10
See application file for complete search history.

(57) **CLAIM**

The ornamental design for a fluid trap, as shown and described.

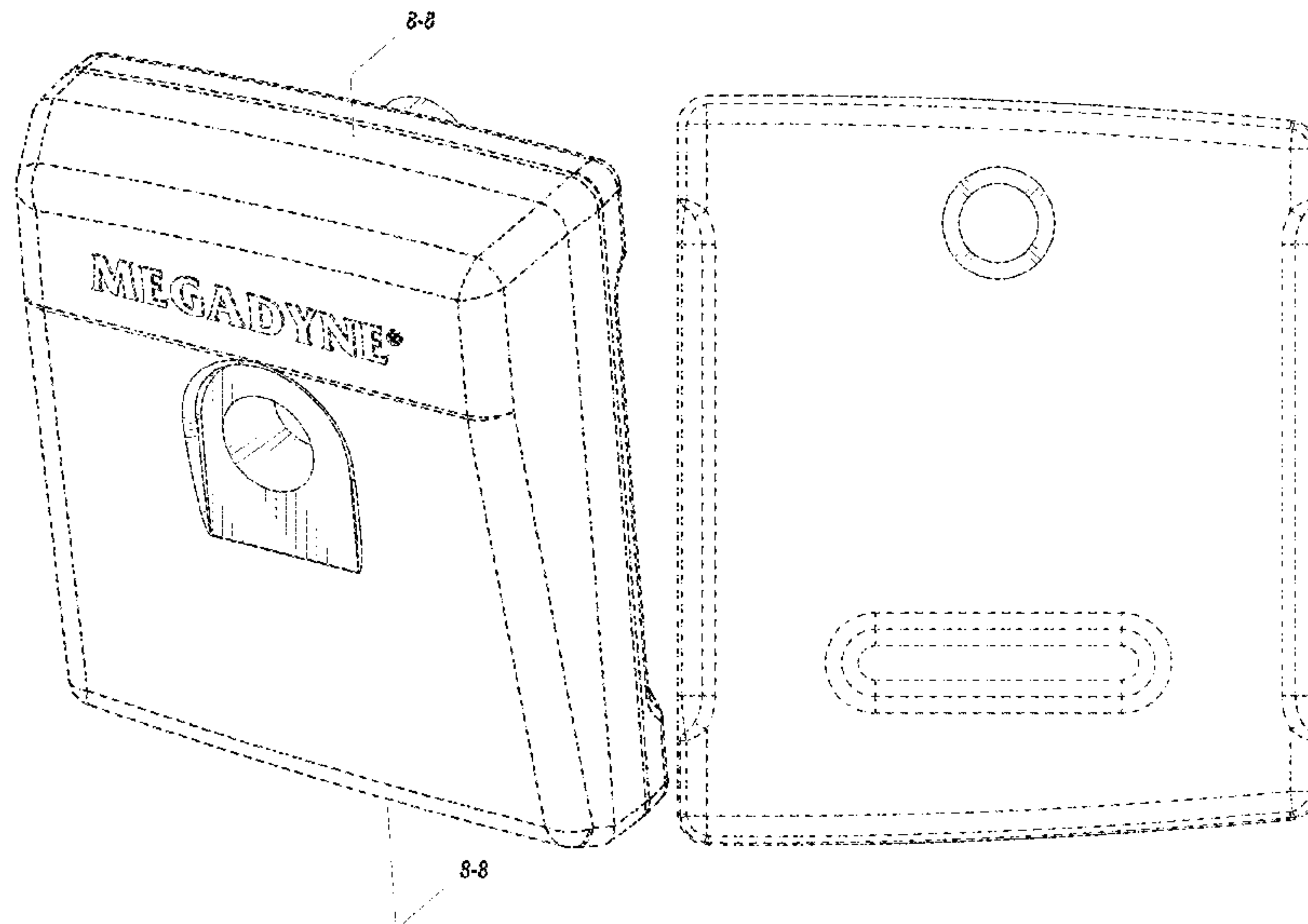
DESCRIPTION

FIG. 1 is a front perspective view of the fluid trap showing the new design;
FIG. 2 is a front elevational view of the fluid trap;
FIG. 3 is a back elevational view of the fluid trap;
FIG. 4 is a right side elevational view of the fluid trap;
FIG. 5 is a left side elevational view of the fluid trap;
FIG. 6 is a top plan view of the fluid trap;
FIG. 7 is a bottom plan view of the fluid trap; and,
FIG. 8 is a left side view of the filter trap in cross-section. The broken lines shown in the Figures are for illustrating portions of the fluid trap that form no part of the claimed design.

1 Claim, 5 Drawing Sheets

(56) **References Cited**
U.S. PATENT DOCUMENTS

- 1,165,288 A 12/1915 Rimmer
- 1,789,194 A 1/1931 Rockwell
- 2,577,606 A 12/1951 Conley
- 3,815,752 A 6/1974 Hoffman et al.
- 3,841,490 A 10/1974 Hoffman et al.
- 4,116,649 A 9/1978 Cullen et al.
- 4,157,234 A 6/1979 Shaffer et al.



(56)

References Cited

U.S. PATENT DOCUMENTS

4,810,269 A 3/1989 Stackhouse et al.
 4,826,513 A 5/1989 Stackhouse et al.
 4,986,839 A 1/1991 Wertz et al.
 4,988,839 A 1/1991 Kennicott
 5,108,389 A 4/1992 Comescu
 5,144,176 A 9/1992 Popper
 5,144,178 A 9/1992 Sugiura
 5,160,334 A 11/1992 Billings et al.
 5,221,192 A 6/1993 Heflin et al.
 5,226,939 A 7/1993 Nicolas et al.
 5,228,939 A 7/1993 Chu
 5,242,474 A 9/1993 Herbst et al.
 5,288,469 A 2/1994 Skalla et al.
 5,288,489 A 2/1994 Reich et al.
 5,318,516 A 6/1994 Comescu
 5,336,218 A 8/1994 Linhares
 5,342,349 A 8/1994 Kaufman
 D357,738 S 4/1995 Kaufman
 5,423,779 A 6/1995 Yeh
 5,431,650 A 7/1995 Comescu
 5,507,859 A 4/1996 Kaiser
 5,522,808 A 6/1996 Skalla
 5,597,385 A 1/1997 Moerke
 5,620,441 A 4/1997 Greff et al.
 5,674,219 A 10/1997 Monson et al.
 5,690,480 A 11/1997 Suzuki et al.
 5,853,410 A 12/1998 Greff et al.
 5,874,052 A 2/1999 Holland
 5,910,291 A 6/1999 Skalla et al.
 5,992,413 A 11/1999 Martin et al.
 6,050,792 A 4/2000 Shaffer
 6,110,259 A 8/2000 Schultz et al.
 6,129,530 A 10/2000 Shaffer
 6,203,590 B1 * 3/2001 Byrd B01D 46/0023
 55/319
 6,203,762 B1 3/2001 Skalla et al.
 6,331,246 B1 12/2001 Beckham
 6,439,864 B1 8/2002 Shaffer
 6,511,308 B2 1/2003 Shaffer
 6,524,307 B1 2/2003 Palmerton et al.
 6,544,210 B1 4/2003 Trudel et al.
 6,585,791 B1 7/2003 Garito et al.
 6,589,316 B1 7/2003 Schultz et al.
 6,589,318 B2 7/2003 El-Shoubary et al.
 6,592,543 B1 7/2003 Wortrich et al.
 6,616,722 B1 9/2003 Cartellone
 6,663,698 B2 12/2003 Mishin et al.
 D485,339 S 1/2004 Klug
 6,709,248 B2 3/2004 Fujioka et al.
 6,736,620 B2 5/2004 Satoh
 6,758,885 B2 7/2004 Leffel et al.
 6,786,707 B2 9/2004 Kim
 D513,314 S 12/2005 Iddings
 7,014,434 B2 3/2006 Fujioka et al.
 D521,137 S 5/2006 Khalil
 D545,955 S 7/2007 Arias
 7,258,712 B2 8/2007 Schultz et al.
 D553,228 S 10/2007 Vir
 7,276,052 B2 10/2007 Kobayashi et al.
 D555,803 S * 11/2007 Garito D24/234
 7,294,116 B1 11/2007 Ellman et al.
 D574,323 S 8/2008 Waaler
 7,465,156 B2 12/2008 Lee
 7,497,340 B2 3/2009 Hershberger et al.
 7,597,731 B2 10/2009 Palmerton
 D616,986 S * 6/2010 Biegen D24/144
 D625,399 S 10/2010 Horiguchi
 D626,204 S 10/2010 Morgan
 7,819,957 B2 10/2010 Roberts et al.
 7,942,655 B2 5/2011 Shaffer
 8,033,798 B2 10/2011 Suh et al.
 8,142,175 B2 3/2012 Duppert et al.
 8,147,577 B2 4/2012 Palmerton
 8,190,398 B2 5/2012 Kitaguchi et al.
 D666,704 S 9/2012 Osendorf

8,298,420 B2 10/2012 Burrows
 8,556,570 B2 10/2013 Ishihara
 8,608,816 B2 12/2013 Palmerton et al.
 8,684,705 B2 4/2014 Magoon et al.
 8,727,744 B2 5/2014 Magoon et al.
 9,011,366 B2 4/2015 Dean et al.
 9,028,230 B2 5/2015 Shaffer
 9,067,030 B2 6/2015 Stearns et al.
 9,074,598 B2 7/2015 Shaffer et al.
 D736,933 S 8/2015 Qiu
 D737,449 S 8/2015 Zheng
 9,199,047 B2 12/2015 Stearns et al.
 9,215,964 B2 12/2015 Loske
 9,215,984 B2 12/2015 Hattery et al.
 9,366,254 B2 6/2016 Murakami
 9,387,295 B1 7/2016 Mastri et al.
 9,387,296 B1 7/2016 Mastri et al.
 D764,649 S 8/2016 Ko
 9,415,160 B2 8/2016 Bonano et al.
 9,435,339 B2 9/2016 Calhoun et al.
 9,474,512 B2 10/2016 Blackhurst et al.
 9,532,843 B2 1/2017 Palmerton
 9,549,849 B2 1/2017 Charles
 9,579,428 B1 2/2017 Reasoner et al.
 D783,178 S 4/2017 Mead
 D802,024 S 11/2017 Aoki
 9,867,914 B2 * 1/2018 Bonano A61M 1/784
 9,943,355 B2 * 4/2018 Babini B01D 46/521
 D868,236 S * 11/2019 Frampton D24/107
 D886,976 S * 6/2020 Horner D23/365
 10,758,855 B2 9/2020 Horner et al.
 10,758,856 B2 9/2020 Horner et al.
 D912,762 S * 3/2021 Horner D23/209
 11,305,223 B2 4/2022 Horner et al.
 2004/0223859 A1 11/2004 Sharp
 2005/0000196 A1 1/2005 Schultz
 2005/0189283 A1 9/2005 Smit et al.
 2005/0263004 A1 12/2005 Larsen et al.
 2006/0099096 A1 5/2006 Shaffer et al.
 2007/0066970 A1 3/2007 Ineson
 2009/0022613 A1 1/2009 Dai et al.
 2011/0067699 A1 3/2011 Caruso
 2011/0203585 A1 8/2011 Cozean et al.
 2013/0023160 A1 9/2013 Stearns et al.
 2013/0231606 A1 9/2013 Stearns
 2014/0356207 A1 12/2014 Yang
 2015/0224237 A1 8/2015 Reasoner et al.
 2015/0273381 A1 10/2015 Stoner et al.
 2016/0000494 A1 1/2016 Comescu
 2016/0001102 A1 1/2016 Huh
 2016/0287817 A1 10/2016 Mastri et al.
 2016/0367266 A1 12/2016 Palmerton et al.
 2017/0014557 A1 1/2017 Minskoff et al.
 2017/0014560 A1 1/2017 Minskoff
 2017/0095603 A1 4/2017 Cho
 2017/0165725 A1 6/2017 Hersey et al.
 2017/0181768 A1 6/2017 Galley
 2017/0181788 A1 6/2017 Dastjerdi et al.
 2019/0159830 A1 5/2019 Horner et al.
 2019/0160409 A1 * 5/2019 Horner A61B 18/00
 2019/0160410 A1 5/2019 Horner et al.
 2020/0324238 A1 10/2020 Jones
 2020/0353399 A1 11/2020 Horner
 2021/0199136 A1 * 7/2021 Tulett E04H 4/1209

FOREIGN PATENT DOCUMENTS

WO 2017003712 1/2017
 WO 2017/066720 4/2017
 WO 2017112684 6/2017

OTHER PUBLICATIONS

“Megadyne Surgical Smoke Evacuation System found online [Sep. 11, 2018] —<http://www.hcp-austria.com/Minivac%20Smoke%20Evacuators.html>”.
 Non-Final Office Action for U.S. Appl. No. 29/627,793 dated Oct. 29, 2018.

(56)

References Cited

OTHER PUBLICATIONS

First Substantive Examination for MX/f/2018/001583 dated Jan. 20, 2020.

Non-Final Office Action for U.S. Appl. No. 15/826,344 dated Sep. 12, 2019.

Notice of Allowance for U.S. Appl. No. 15/826,344 dated Jan. 23, 2020.

International Search Report and Written Opinion for PCT/IB2018/059375 dated May 7, 2019.

Non-Final Office Action for U.S. Appl. No. 15/826,342 dated Jul. 16, 2019.

Final Office Action for U.S. Appl. No. 15/826,342 dated Nov. 5, 2019.

Notice of Allowance for U.S. Appl. No. 15/826,342 dated Jan. 31, 2020.

Notice of Allowance for U.S. Appl. No. 15/826,342 dated Apr. 23, 2020.

International Search Report and Written Opinion for PCT/IB2018/059377 dated Mar. 6, 2019.

Notice of Allowance for U.S. Appl. No. 15/826,344 dated Apr. 22, 2020.

Non-Final Office Action for U.S. Appl. No. 29/627,794 dated Jul. 10, 2019.

Non-Final Office Action for U.S. Appl. No. 29/627,794 dated Feb. 19, 2020.

Notice of Allowance for U.S. Appl. No. 29/627,794 dated Aug. 14, 2020.

Notice of Allowance for U.S. Appl. No. 15/826,344 dated May 21, 2020.

Non-Final Office Action for U.S. Appl. No. 16/937,000 dated Aug. 31, 2021.

Notice of Allowance for U.S. Appl. No. 16/937,000 dated Dec. 17, 2021.

* cited by examiner

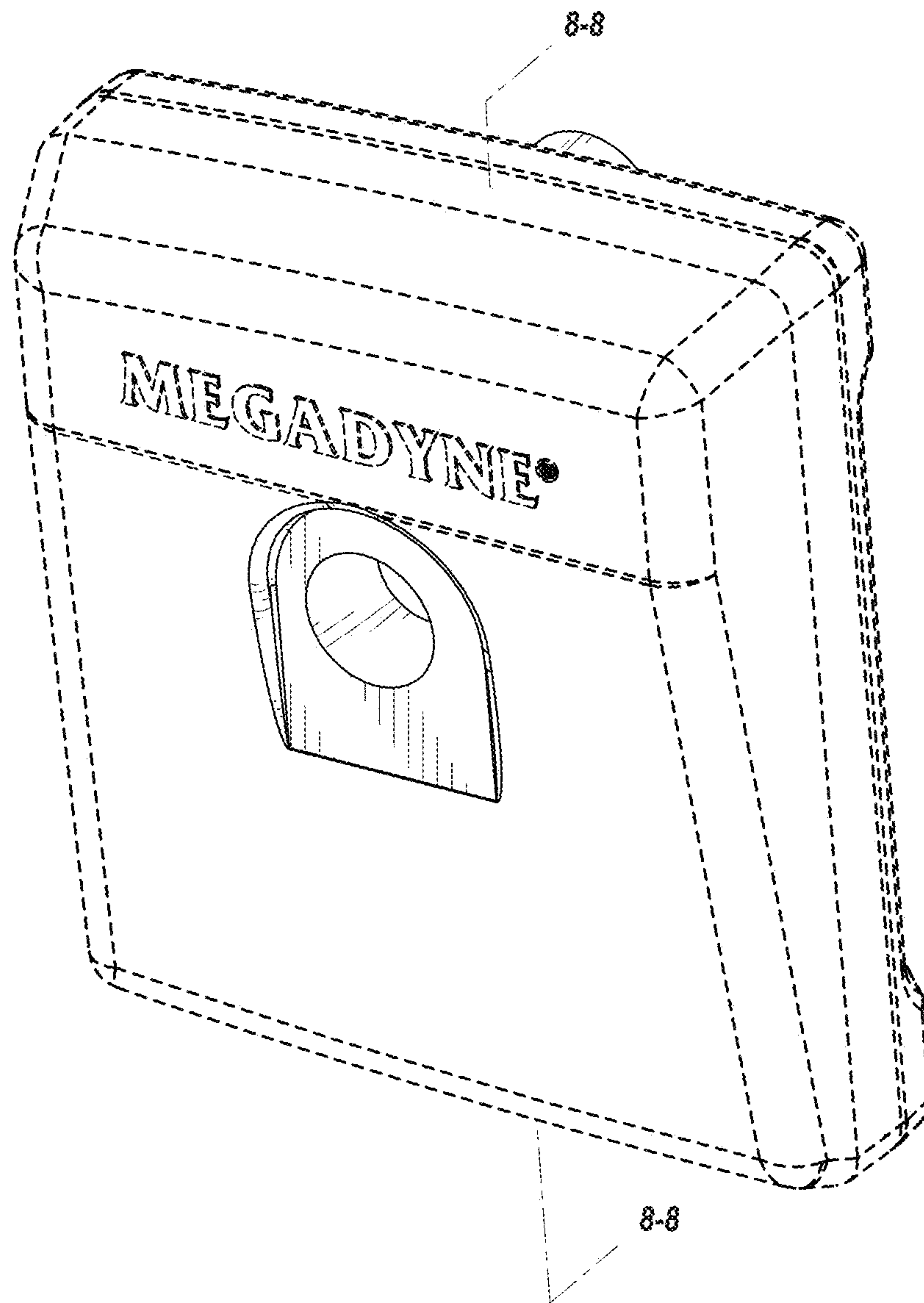


FIG. 1

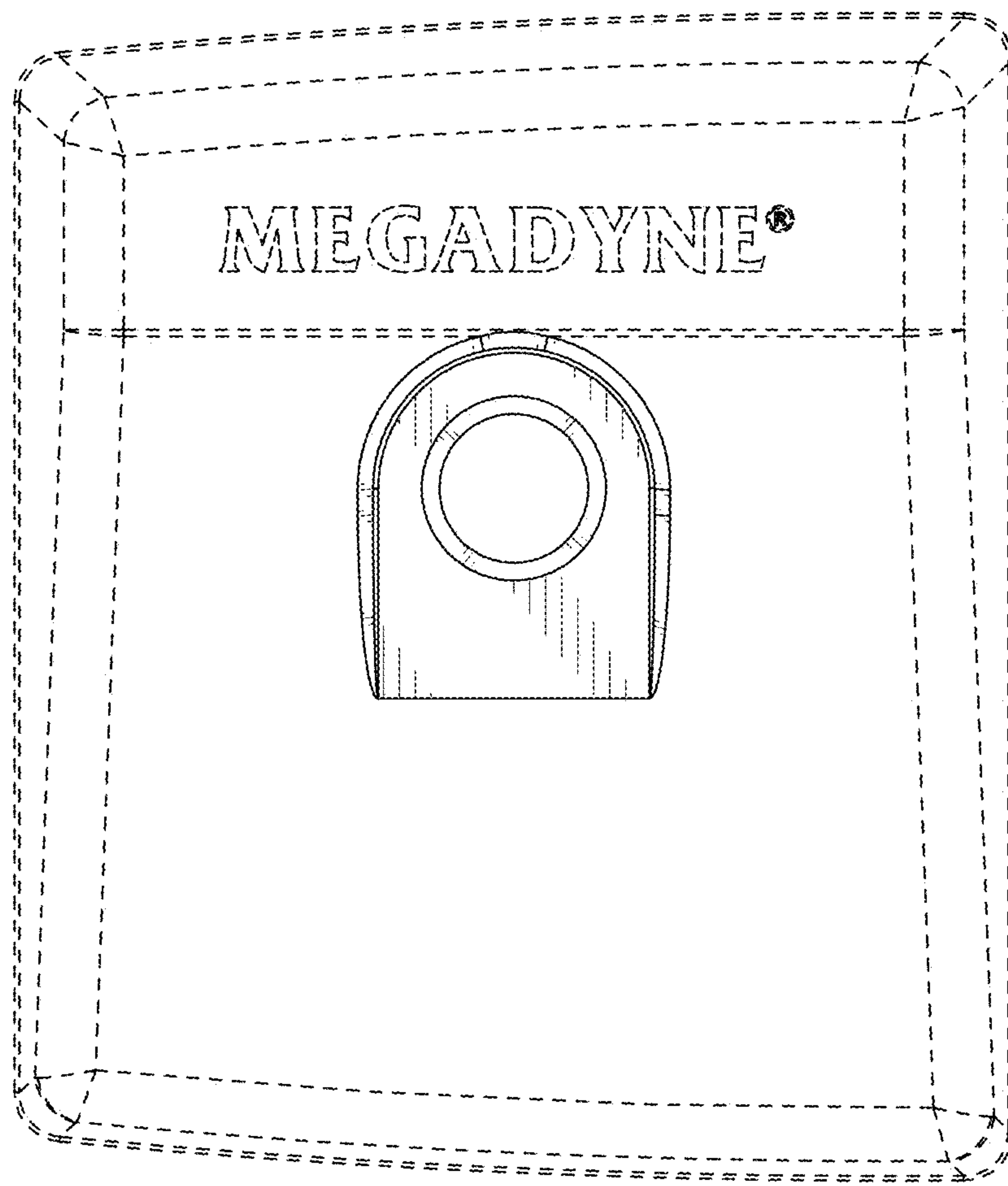


FIG. 2

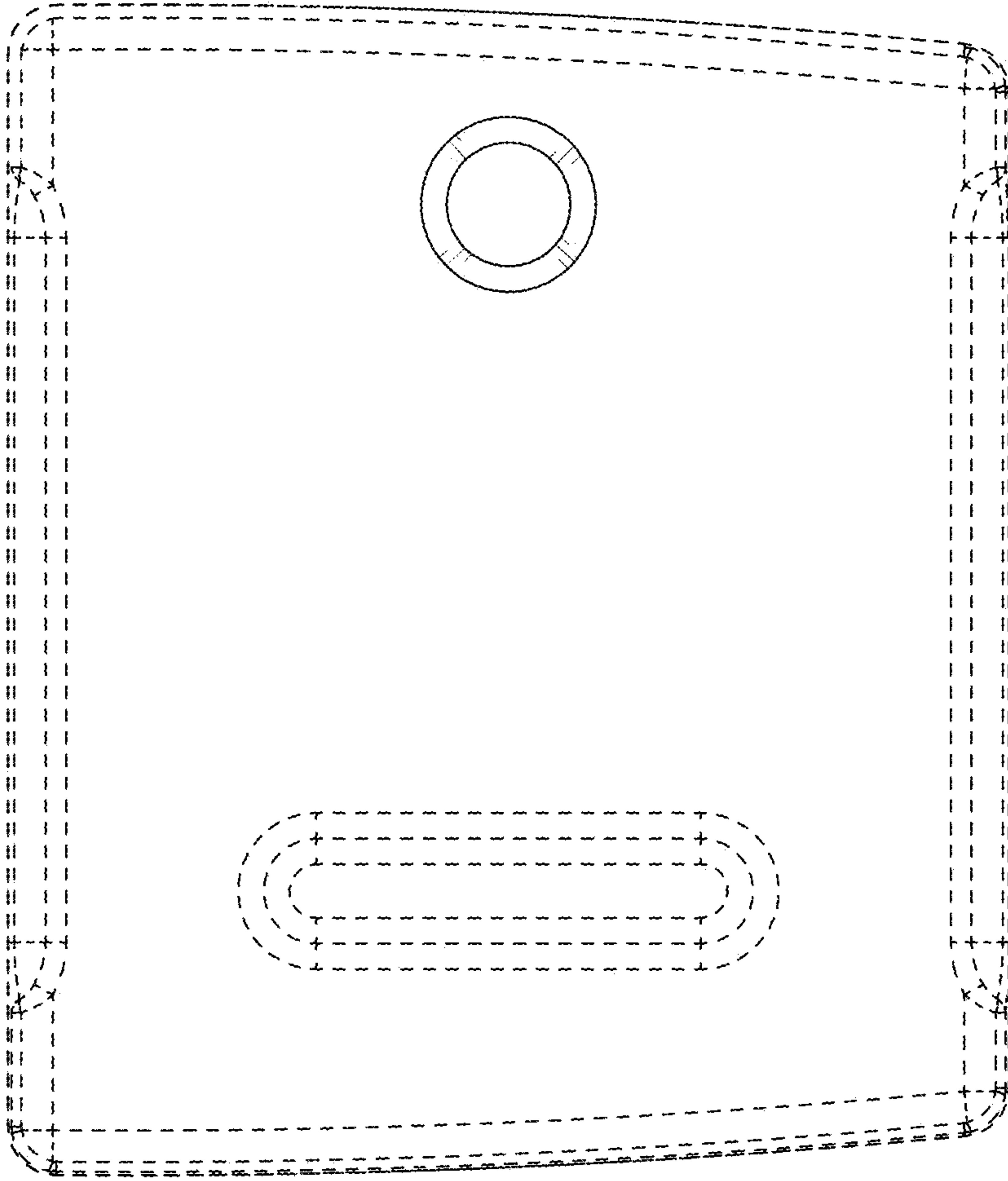


FIG. 3

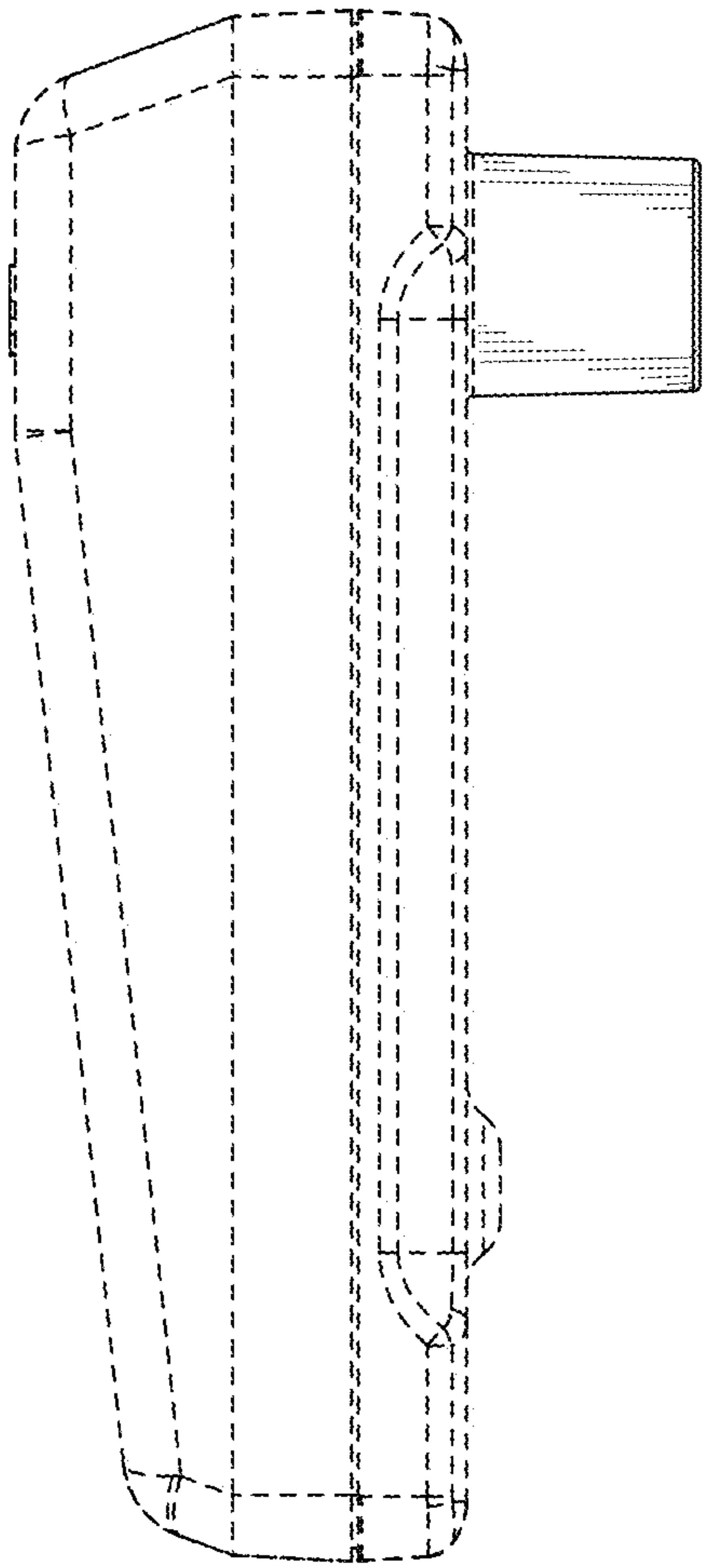


FIG. 4

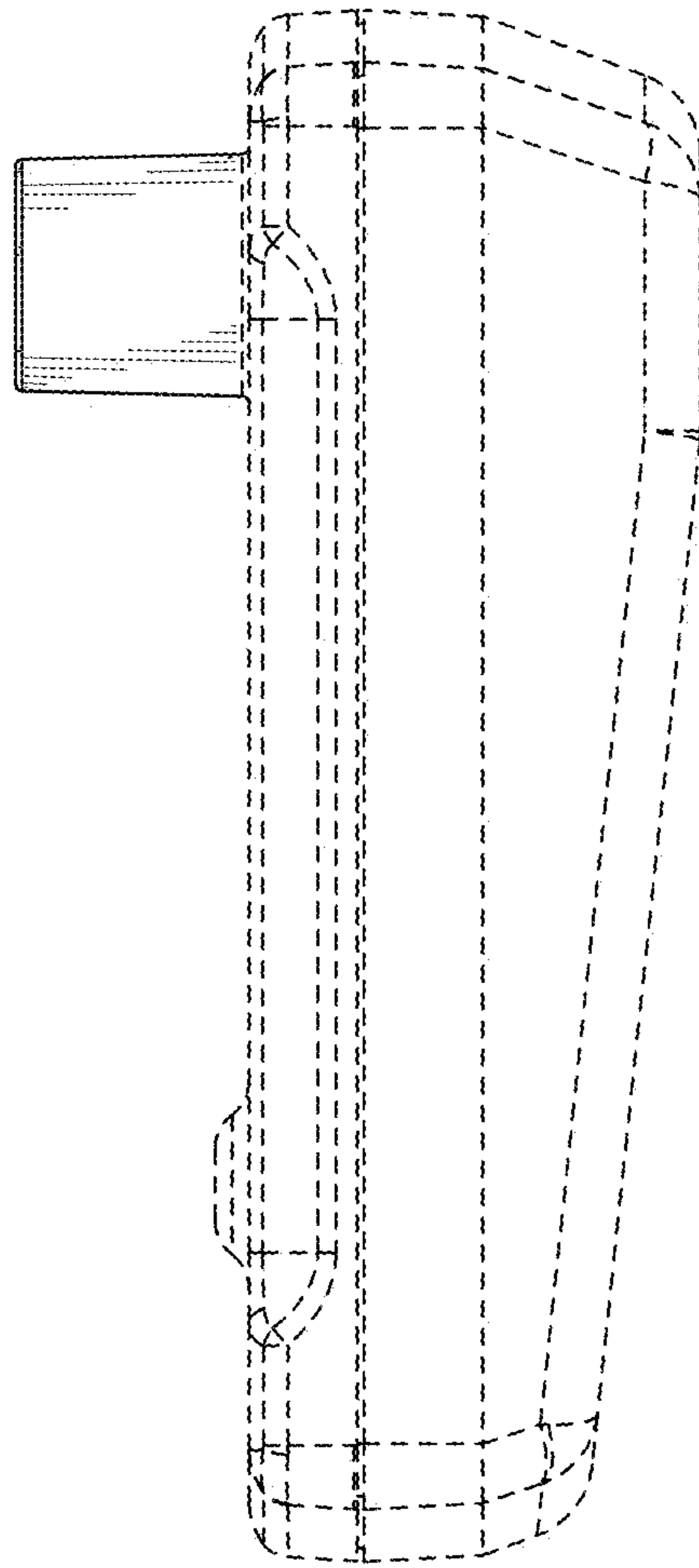


FIG. 5

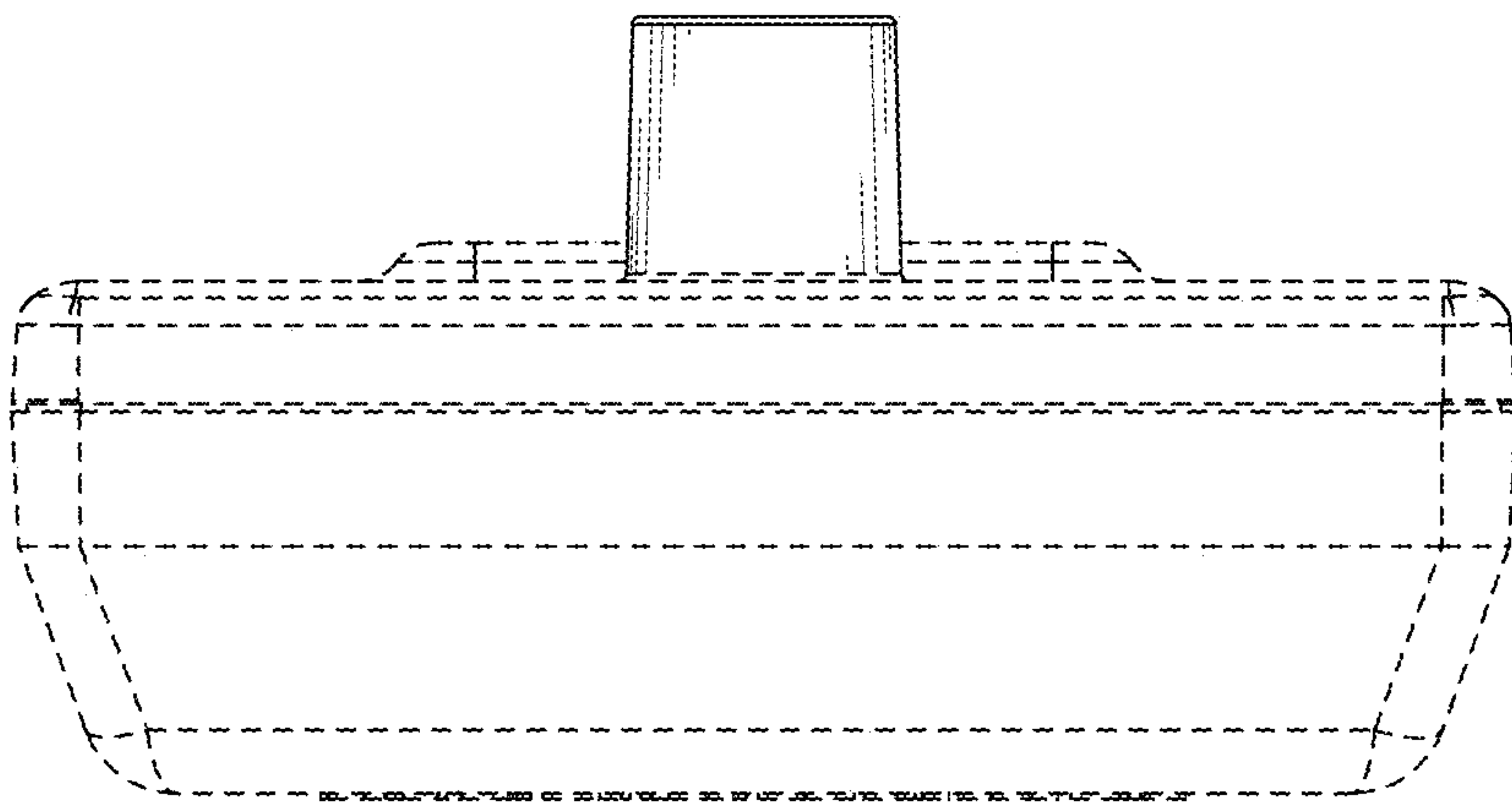


FIG. 6

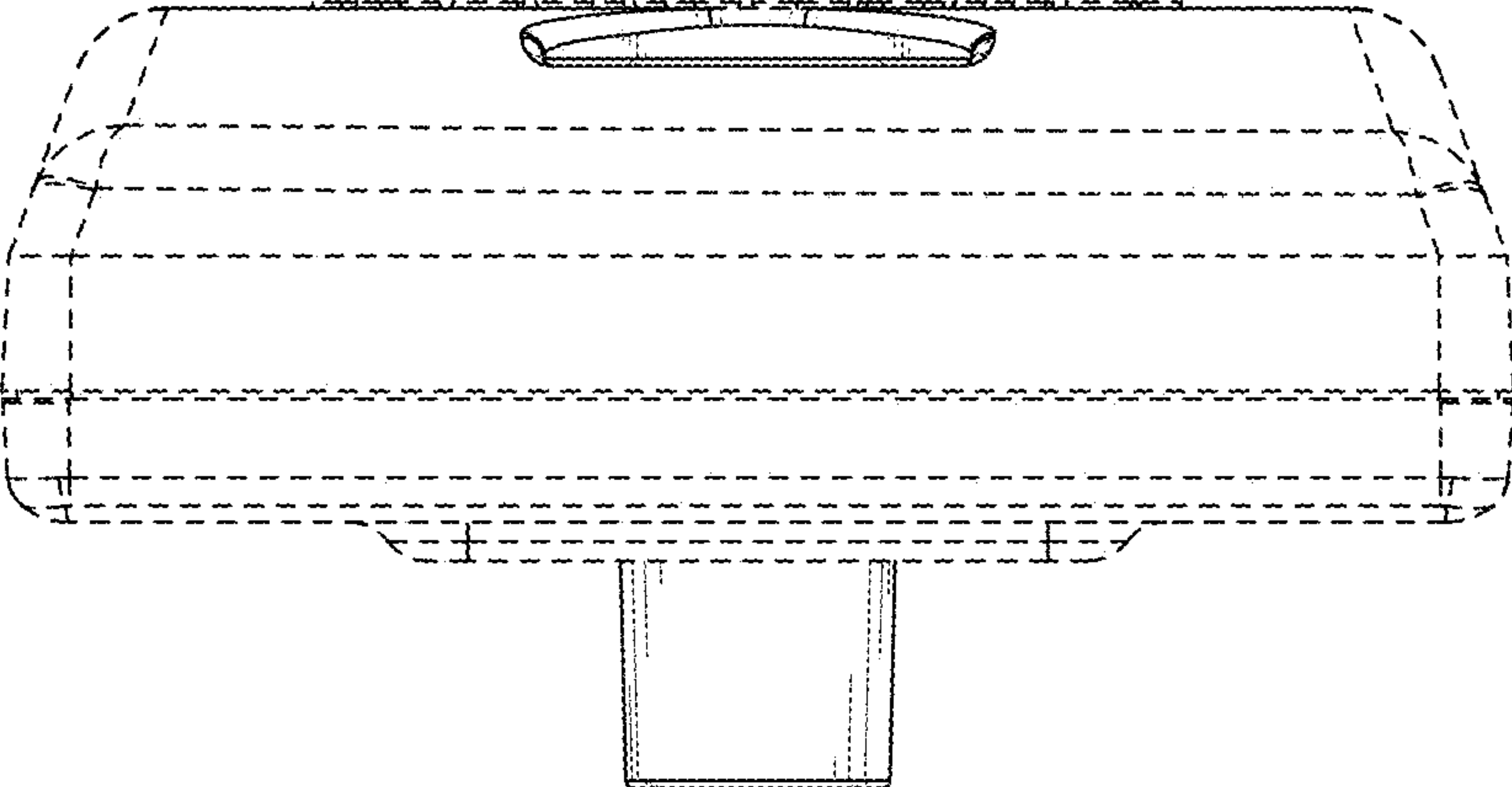


FIG. 7

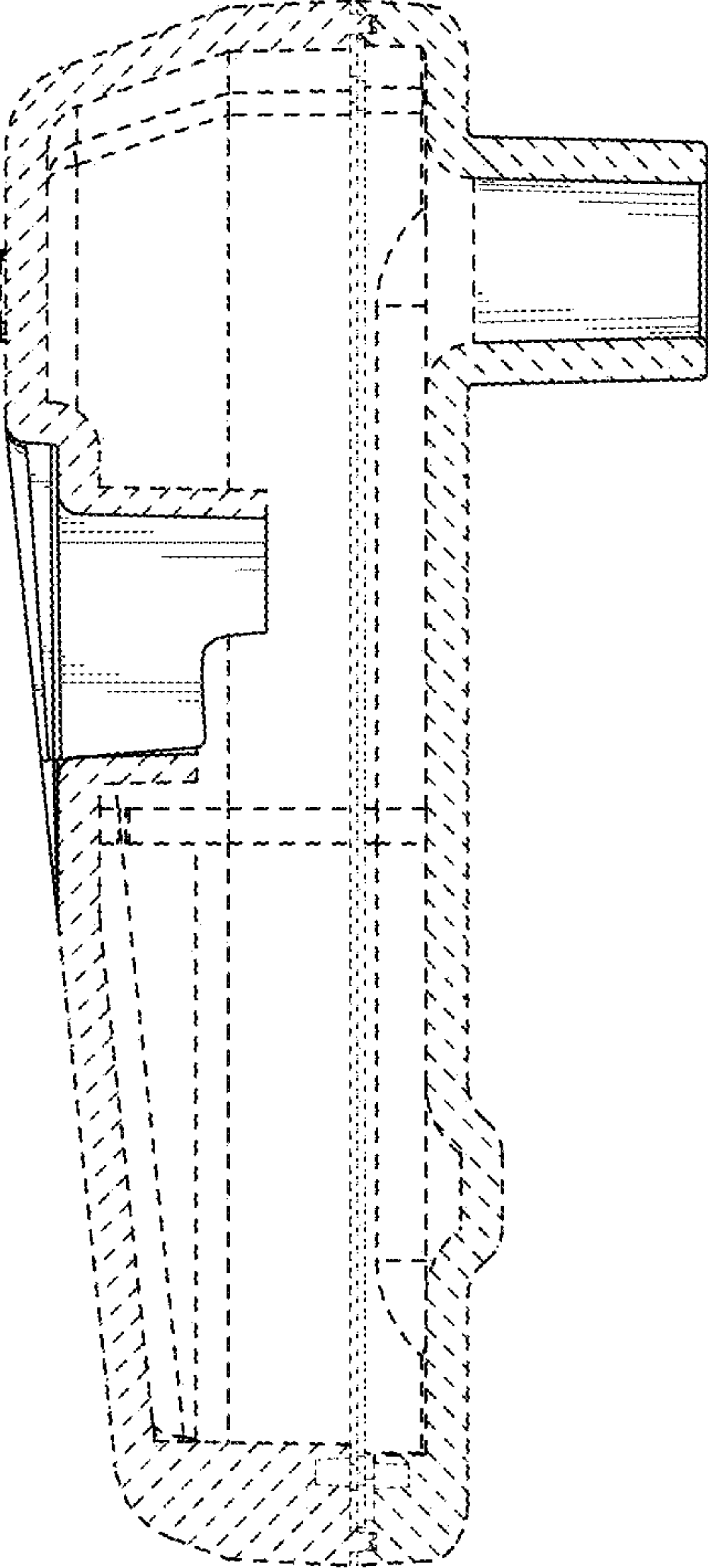


FIG. 8