



US00D967383S

(12) **United States Design Patent** (10) **Patent No.:** **US D967,383 S**
Campbell et al. (45) **Date of Patent:** **** Oct. 18, 2022**

(54) **AIR FILTRATION DEVICE**

B01D 46/2422; B01D 46/4236; B01D 46/4245; B01D 46/521; B01D 2267/60

(71) Applicant: **Celios Corporation**, Wakefield, MA (US)

See application file for complete search history.

(72) Inventors: **Neil J. Campbell**, Woodbine, MD (US); **Iyam Lynch**, Winston-Salem, NC (US); **Michelle Campbell**, Pittsburgh, PA (US)

(56) **References Cited**

U.S. PATENT DOCUMENTS

D588,257 S * 3/2009 Reedy D23/388
D890,904 S * 7/2020 Farone D23/364

(Continued)

(73) Assignee: **DSS PureAir, Inc.**, West Henrietta, NY (US)

OTHER PUBLICATIONS

Celios. "Celios_Amazon." www.amazon.com. Thur. Dec. 16, 2021. Shown in pp. 1,3,4,6, Model G200 Available from URL: https://www.amazon.com/Celios-G200-Advanced-Air-Purifier/dp/B085WB6VVB/ (Year: 2020).*

(Continued)

(**) Term: **15 Years**

Primary Examiner — Gino Colan
Assistant Examiner — David OBrien

(21) Appl. No.: **29/737,154**

(74) *Attorney, Agent, or Firm* — Remenick PLLC

(22) Filed: **Jun. 5, 2020**

(51) **LOC (13) Cl.** **23-04**

(52) **U.S. Cl.**

USPC **D23/365**

(58) **Field of Classification Search**

USPC D23/200, 207, 209, 260, 261, 332, 333, D23/351-367, 370, 388, 393, 397, 412; D10/49

CPC ... A61L 9/00; A61L 9/02; A61L 9/012; A61L 9/03; A61L 9/032; A61L 9/035; A61L 9/037; A61L 9/04; A61L 9/12; A61L 9/122; A61L 2209/16; F24F 1/01; F24F 1/02; F24F 1/06; F24F 1/18; F24F 1/20; F24F 1/22; F24F 1/24; F24F 1/32; F24F 1/62; F24F 1/0011; F24F 1/0014; F24F 1/0007; F24F 1/0018; F24F 1/0022; F24F 1/0029; F24F 1/0033; F24F 3/00; F24F 3/12; F24F 3/14; F24F 3/16; F24F 3/044; F24F 3/048; F24F 3/065; F24F 5/001; F24F 5/0017; F24F 5/0035; F24F 5/0003; F24F 7/013; F24F 7/10; F24F 7/0227; F24F 6/06; B01D 46/0002; B01D 46/0006; B01D 46/0008; B01D 46/0013; B01D 46/0028; B01D 46/0032; B01D 46/0036; B01D 46/0043; B01D 46/10;

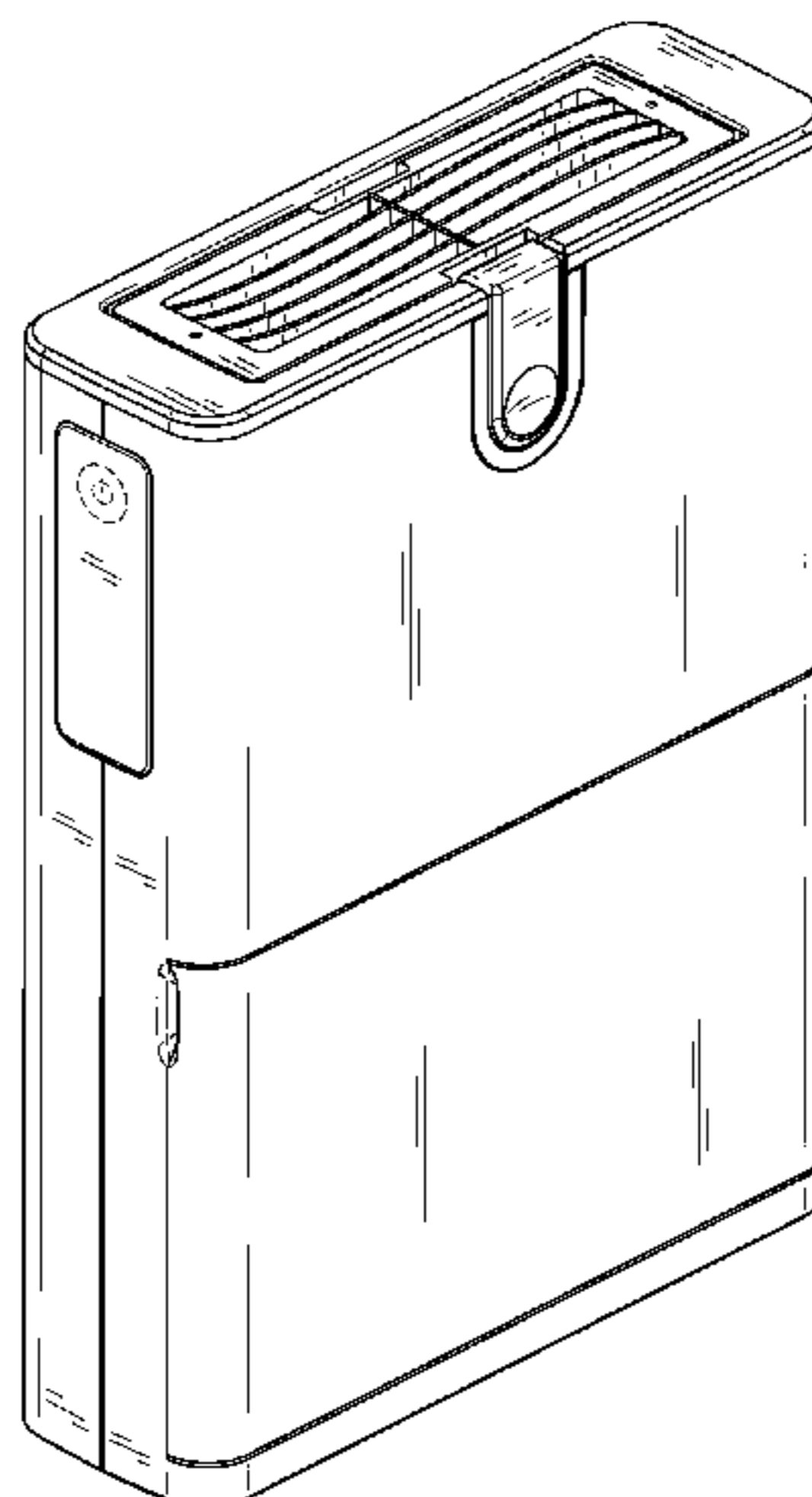
(57) **CLAIM**

The ornamental design for an air filtration device, as shown and described.

DESCRIPTION

FIG. 1 is an upper perspective view of an air filtration device showing our new design;
FIG. 2 is a bottom perspective view of the air filtration device;
FIG. 3 is a front view of the air filtration device;
FIG. 4 is a rear view of the air filtration device;
FIG. 5 is a right side view of the air filtration device;
FIG. 6 is a left side view of the air filtration device;
FIG. 7 is a top view of the air filtration device; and,
FIG. 8 is a bottom view of the air filtration device.

(Continued)



The broken lines showing in the figures are included for the purpose of illustrating portions of the air filtration device that form no part of the claimed design.

1 Claim, 6 Drawing Sheets

(56) **References Cited**

U.S. PATENT DOCUMENTS

10,870,076 B1 * 12/2020 Lynch B01D 46/0043
10,926,209 B1 * 2/2021 Lynch B01D 46/0043
D921,868 S * 6/2021 Park D23/364
2011/0084414 A1 * 4/2011 Ahn F24F 3/14
261/91
2018/0224134 A1 * 8/2018 Bae F24F 1/0022

OTHER PUBLICATIONS

Intertek. "Intertek_Full_VOC_Test_Report." www.cdn.shopify.com. Wed. Dec. 15, 2021. Shown in p. 8, Model G200, Available from URL: https://cdn.shopify.com/s/files/1/0322/6124/2925/files/Intertek_Full_VOC_Test_Report.pdf?v=1588020679 (Year: 2020).*

* cited by examiner

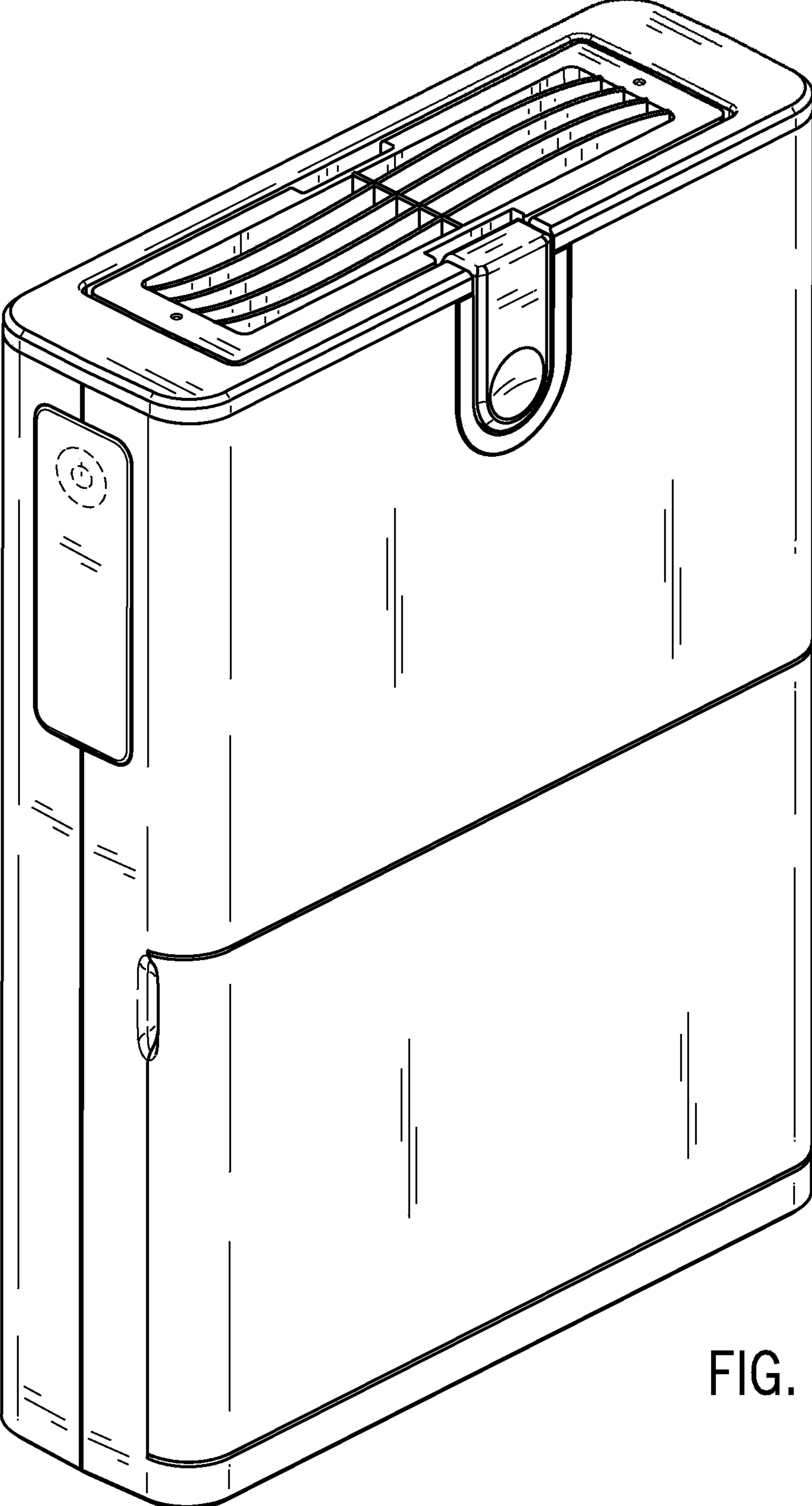


FIG. 1

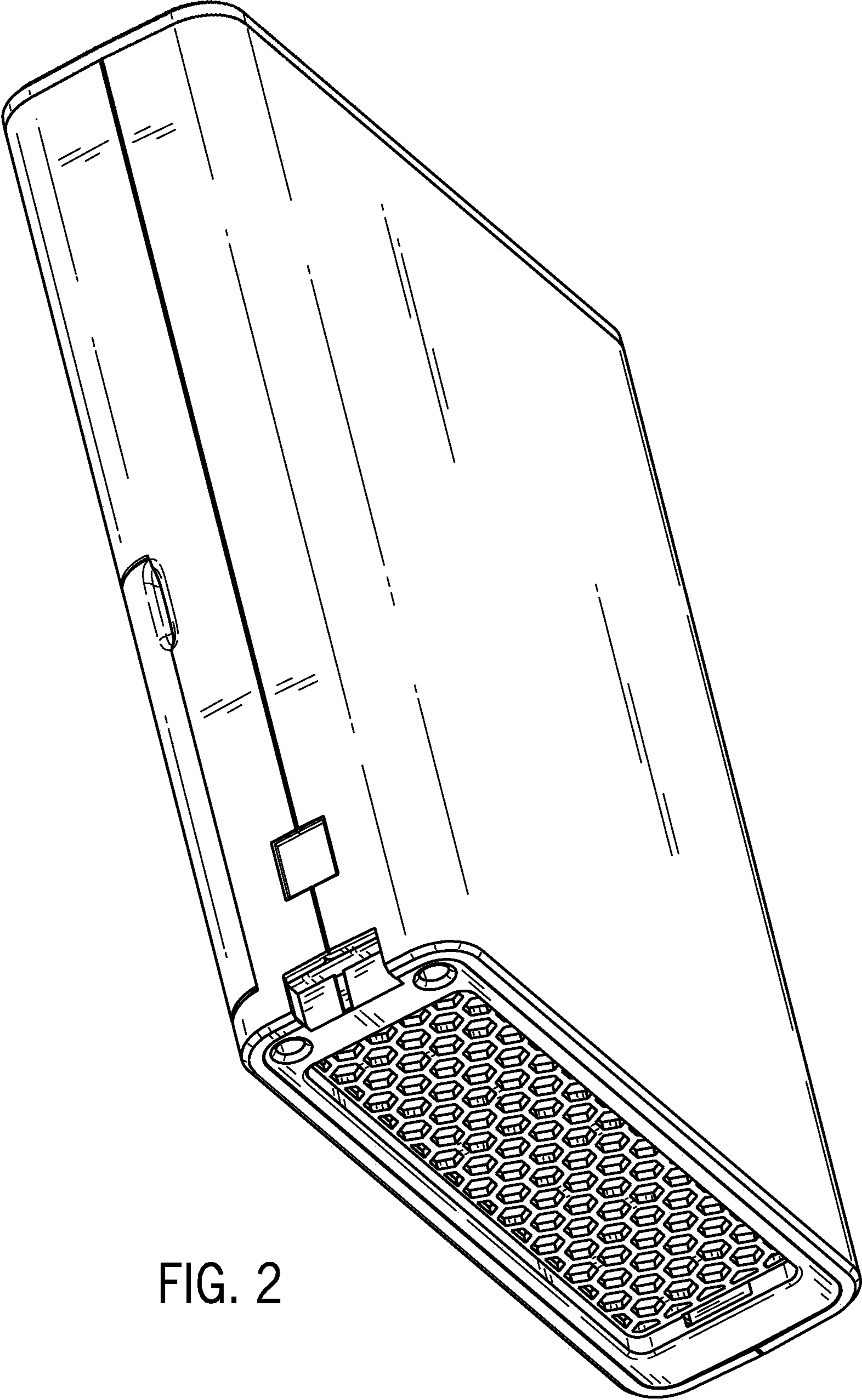


FIG. 2

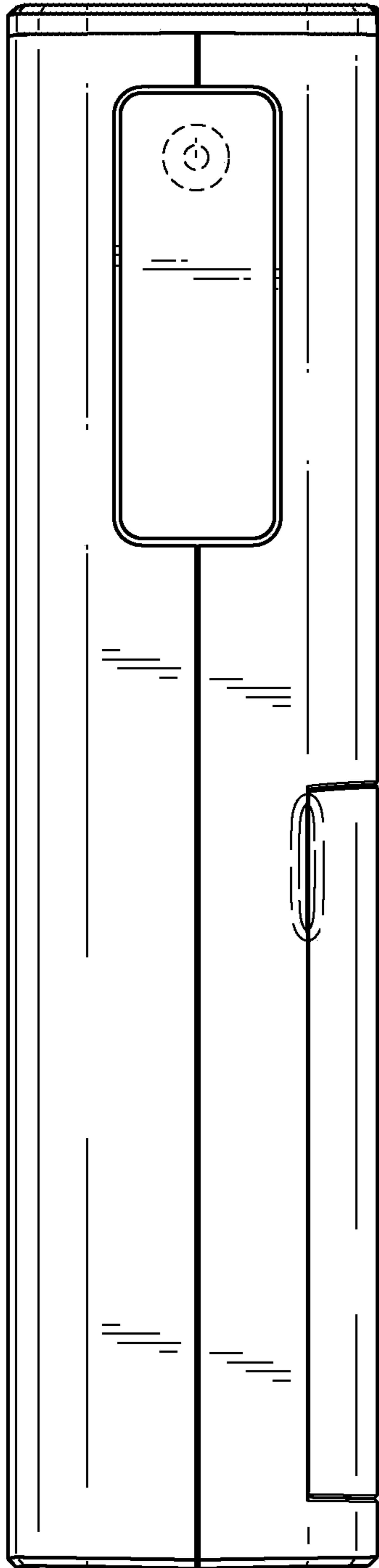


FIG. 3

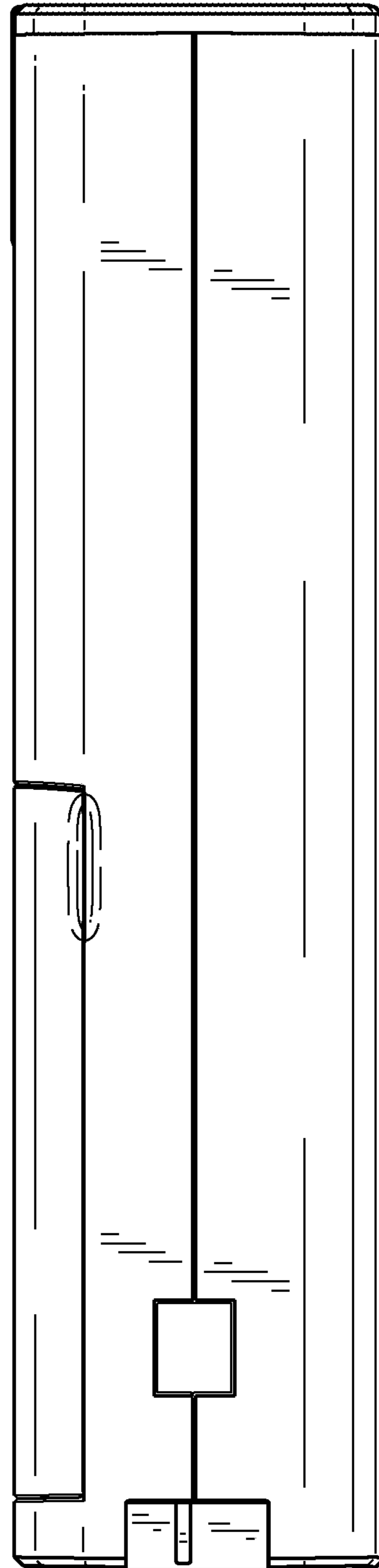


FIG. 4

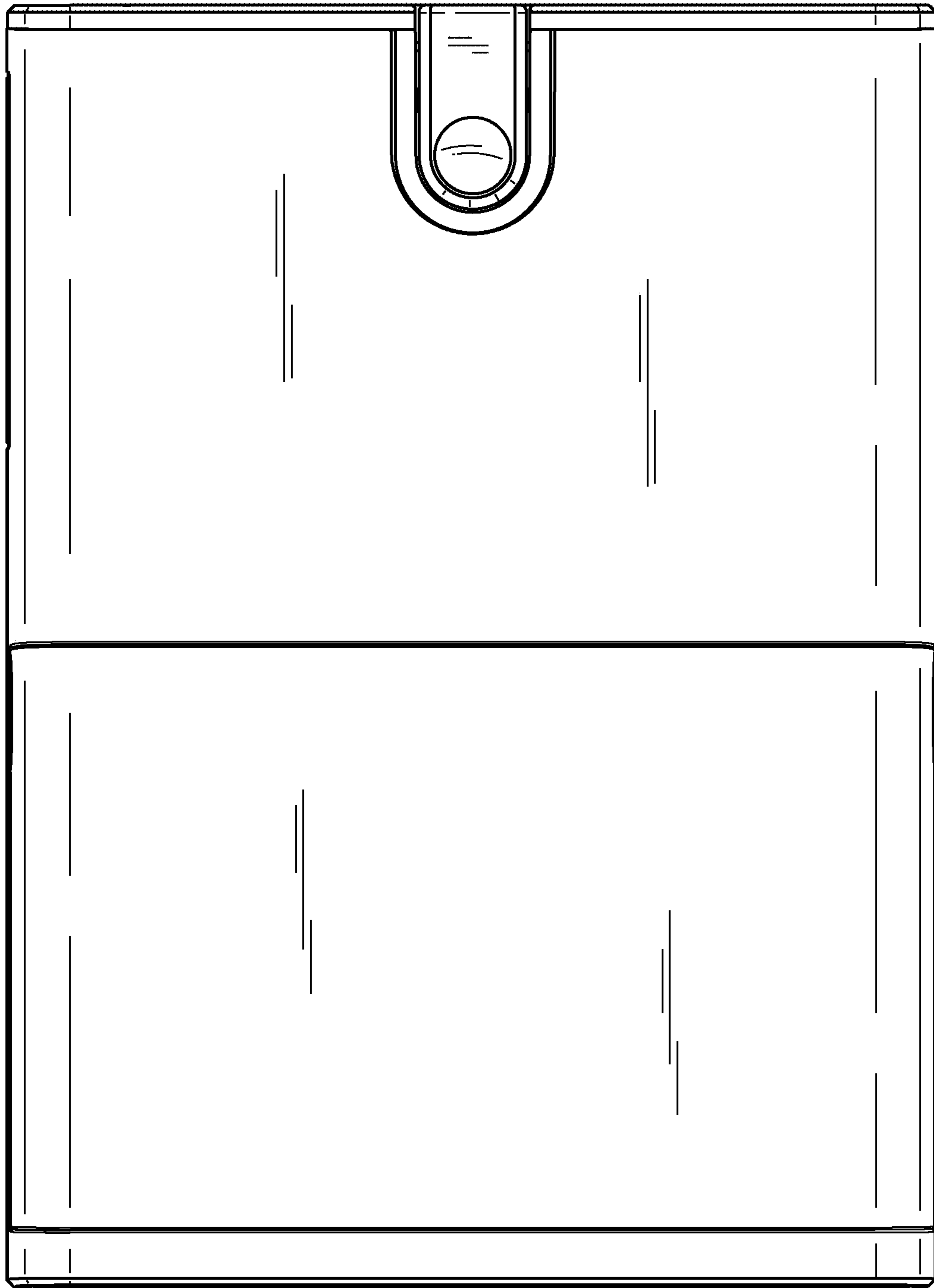


FIG. 5

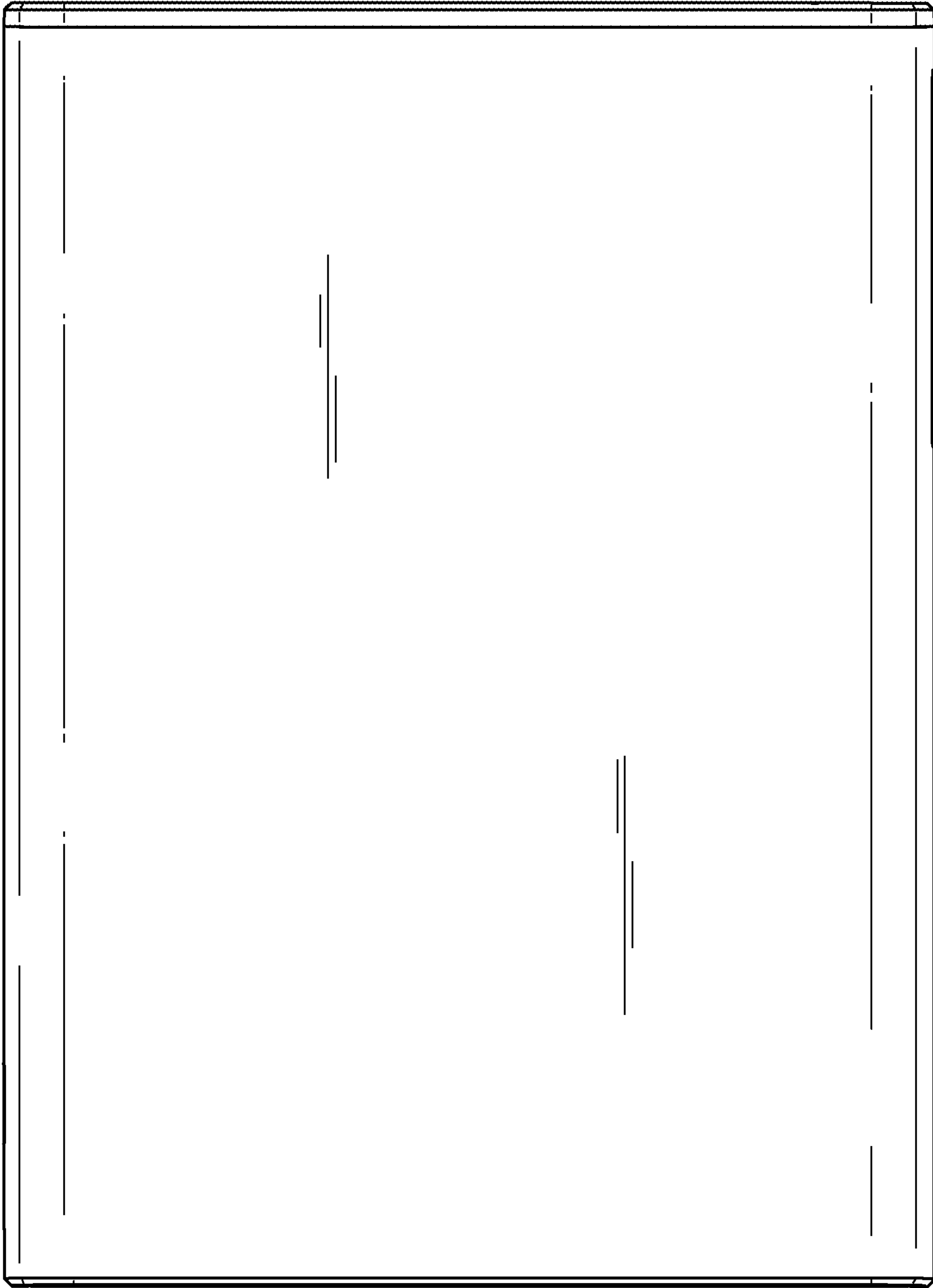


FIG. 6

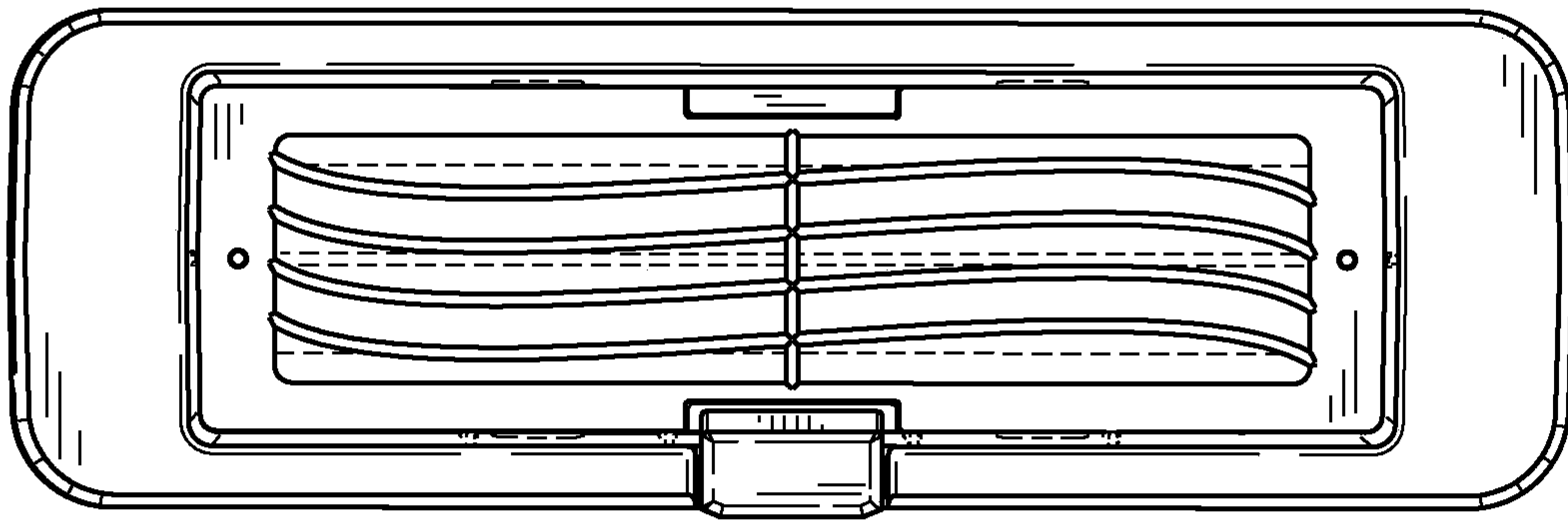


FIG. 7

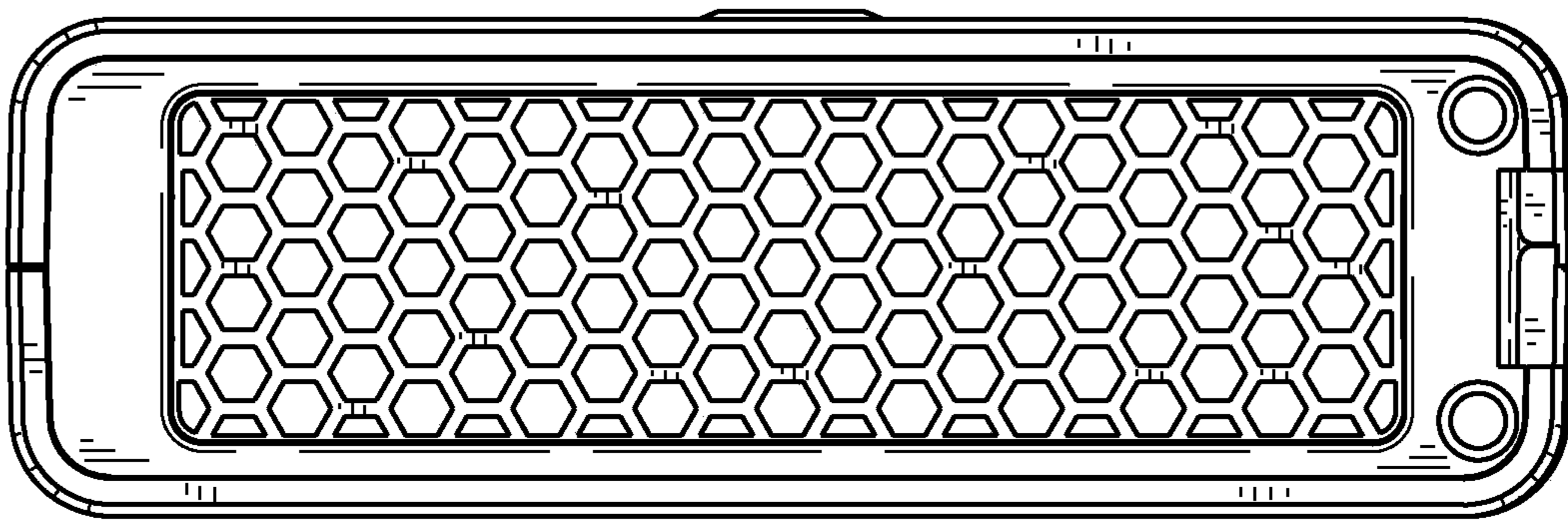


FIG. 8