

US00D967382S

(12) **United States Design Patent** (10) **Patent No.:** **US D967,382 S**  
**Campbell et al.** (45) **Date of Patent:** **\*\* Oct. 18, 2022**

(54) **AIR FILTRATION MODULE**

(71) Applicant: **Celios Corporation**, Wakefield, MA (US)  
(72) Inventors: **Neil J. Campbell**, Woodbine, MD (US); **Iyam Lynch**, Winston-Salem, NC (US); **Michelle Campbell**, Pittsburgh, PA (US)

(73) Assignee: **DSS PureAir, Inc.**, West Henrietta, NY (US)

(\*\*) Term: **15 Years**

(21) Appl. No.: **29/737,150**

(22) Filed: **Jun. 5, 2020**

(51) **LOC (13) Cl.** ..... **23-04**

(52) **U.S. Cl.**  
USPC ..... **D23/365**

(58) **Field of Classification Search**  
USPC ..... D23/200, 207, 209, 260, 261, 332, 333, D23/351-367, 370, 388, 393, 397, 412; D10/49; D13/168

CPC ... A61L 9/00; A61L 9/02; A61L 9/012; A61L 9/03; A61L 9/032; A61L 9/035; A61L 9/037; A61L 9/04; A61L 9/12; A61L 9/122; A61L 2209/16; F24F 1/01; F24F 1/02; F24F 1/06; F24F 1/18; F24F 1/20; F24F 1/22; F24F 1/24; F24F 1/32; F24F 1/62; F24F 1/0011; F24F 1/0014; F24F 1/0007; F24F 1/0018; F24F 1/0022; F24F 1/0029; F24F 1/0033; F24F 3/00; F24F 3/12; F24F 3/14; F24F 3/16; F24F 3/044; F24F 3/048; F24F 3/065; F24F 5/001; F24F 5/0017; F24F 5/0035; F24F 5/0003; F24F 7/013; F24F 7/10; F24F 7/0227; F24F 6/06; B01D 46/0002; B01D 46/0006; B01D 46/0008; B01D 46/0013; B01D 46/0028; B01D 46/0032; B01D 46/0036; B01D 46/0043; B01D 46/10; B01D 46/2422; B01D

(Continued)

(56) **References Cited**

U.S. PATENT DOCUMENTS

D256,943 S \* 9/1980 Angelinetta ..... D23/209  
D378,126 S \* 2/1997 Williams ..... D23/366

(Continued)

OTHER PUBLICATIONS

Celios. "Celios\_Amazon." www.amazon.com. Thur. Dec. 16, 2021. Shown in pp. 1,3,4,6, Model G200 Available from URL: https://www.amazon.com/Celios-G200-Advanced-Air-Purifier/dp/B085WB6VVB/ (Year: 2020).\*

(Continued)

*Primary Examiner* — Gino Colan

*Assistant Examiner* — David OBrien

(74) *Attorney, Agent, or Firm* — Remenick PLLC

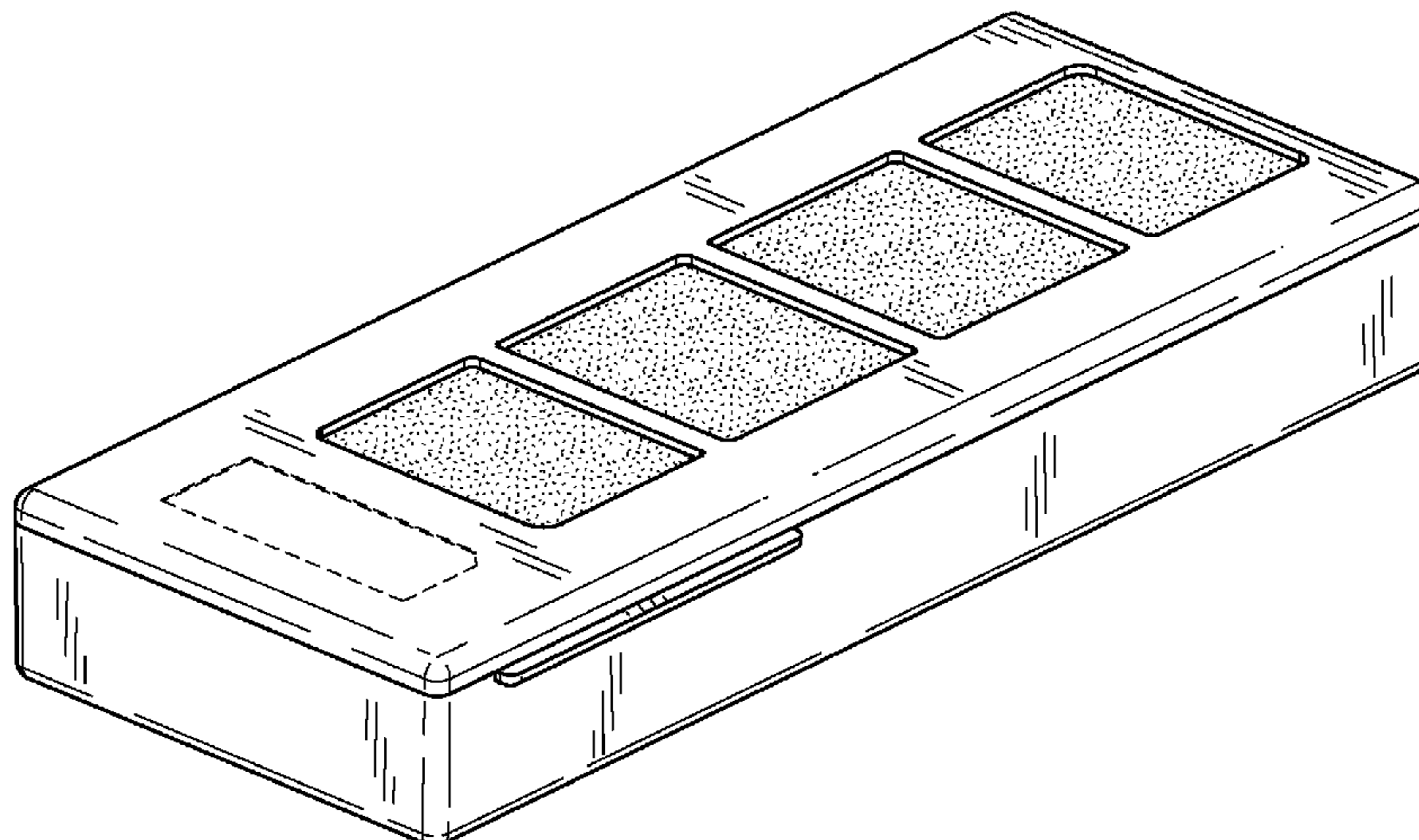
(57) **CLAIM**

The ornamental design for an air filtration module, as shown and described.

**DESCRIPTION**

FIG. 1 is a perspective view of an air filtration module in an air filtration system showing our new design;  
FIG. 2 is an upper perspective view of the air filtration module;  
FIG. 3 is a bottom perspective view of the air filtration module;  
FIG. 4 is a top view of the air filtration module;  
FIG. 5 is a bottom view of the air filtration module;  
FIG. 6 is a right side view of the air filtration module;  
FIG. 7 is a left side view of the air filtration module;  
FIG. 8 is a front view of the air filtration module; and,  
FIG. 9 is a rear view of the air filtration module.  
The broken lines showing in the figures are included for the purpose of illustrating portions of the air filtration module that form no part of the claimed design.

**1 Claim, 4 Drawing Sheets**



(58) **Field of Classification Search**

CPC ..... 46/4236; B01D 46/4245; B01D 46/521;  
B01D 2267/60

See application file for complete search history.

(56) **References Cited**

U.S. PATENT DOCUMENTS

D631,854 S \* 2/2011 Blair ..... D13/168  
D754,315 S \* 4/2016 Morin ..... D23/365  
D809,115 S \* 1/2018 Morin ..... D23/365  
D858,731 S \* 9/2019 Hyon ..... D23/365  
D898,177 S \* 10/2020 Guo ..... D23/365  
10,870,076 B1 \* 12/2020 Lynch ..... B01D 46/0043  
10,926,209 B1 \* 2/2021 Lynch ..... B01D 46/0043

OTHER PUBLICATIONS

Intertek. "Intertek\_Full\_VOC\_Test\_Report." www.cdn.shopify.com. Wed. Dec. 15, 2021. Shown in p. 8, Model G200, Available from URL: [https://cdn.shopify.com/s/files/1/0322/6124/2925/files/Intertek\\_Full\\_VOC\\_Test\\_Report.pdf?v=1588020679](https://cdn.shopify.com/s/files/1/0322/6124/2925/files/Intertek_Full_VOC_Test_Report.pdf?v=1588020679) (Year: 2020).\*

\* cited by examiner

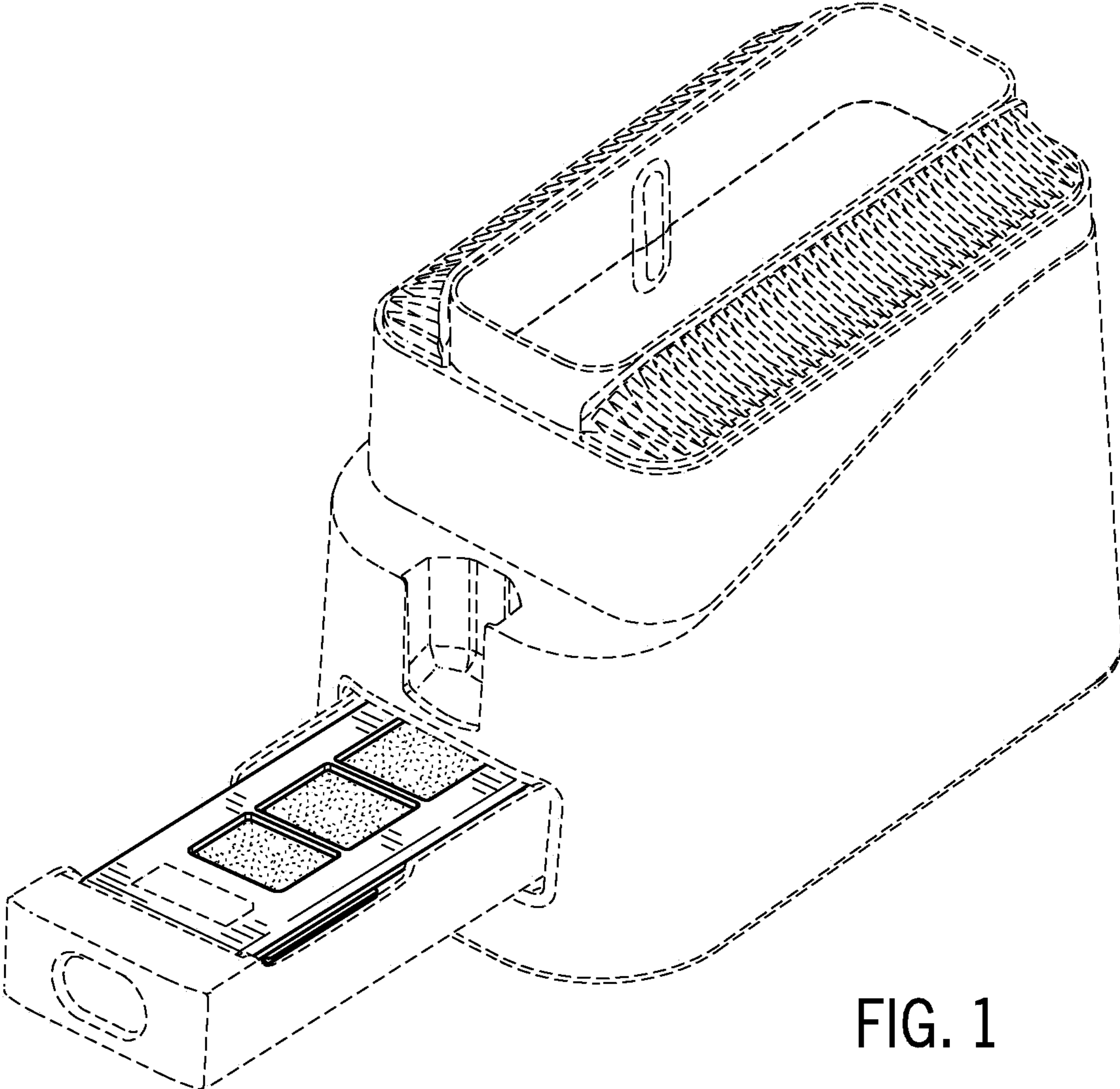


FIG. 1

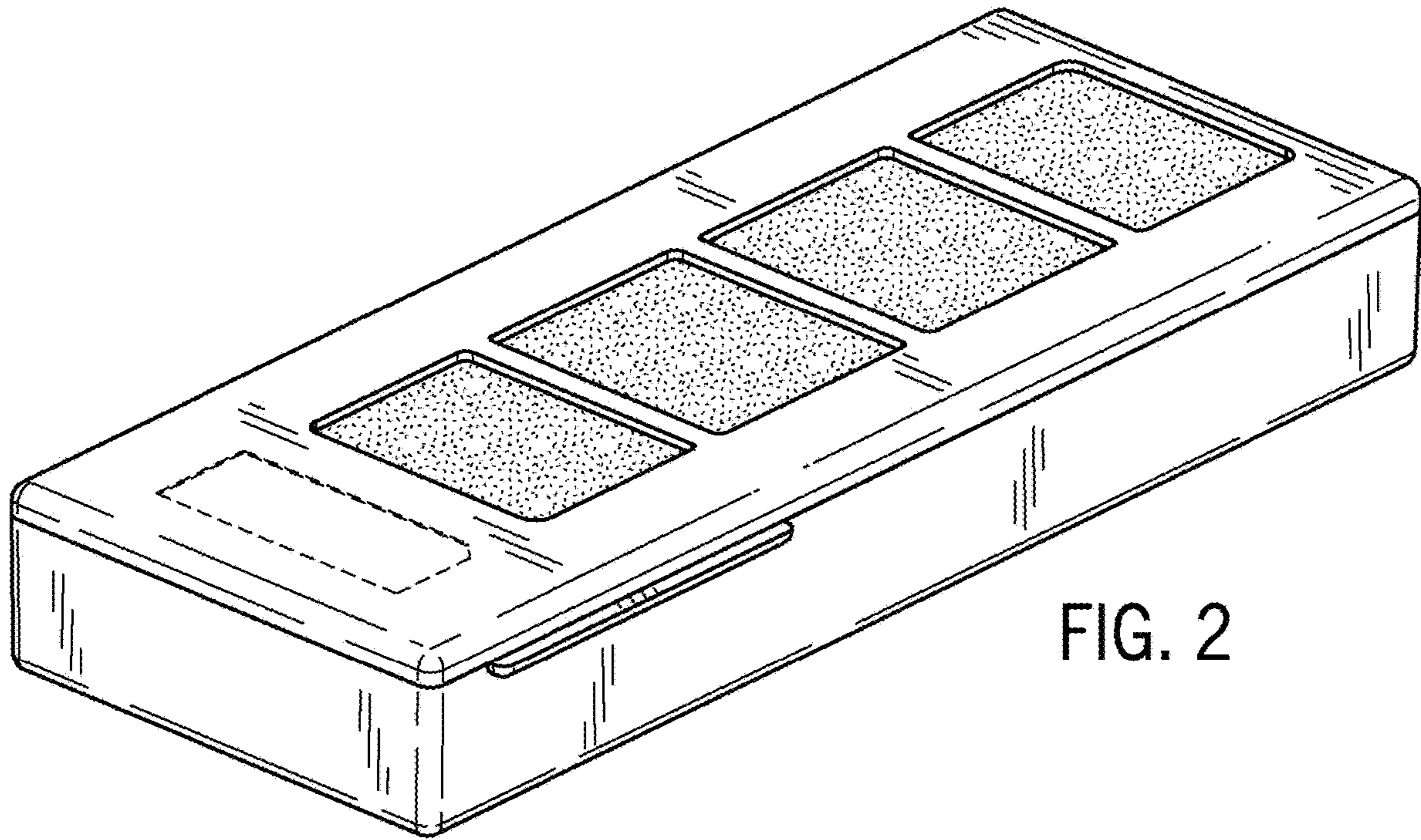


FIG. 2

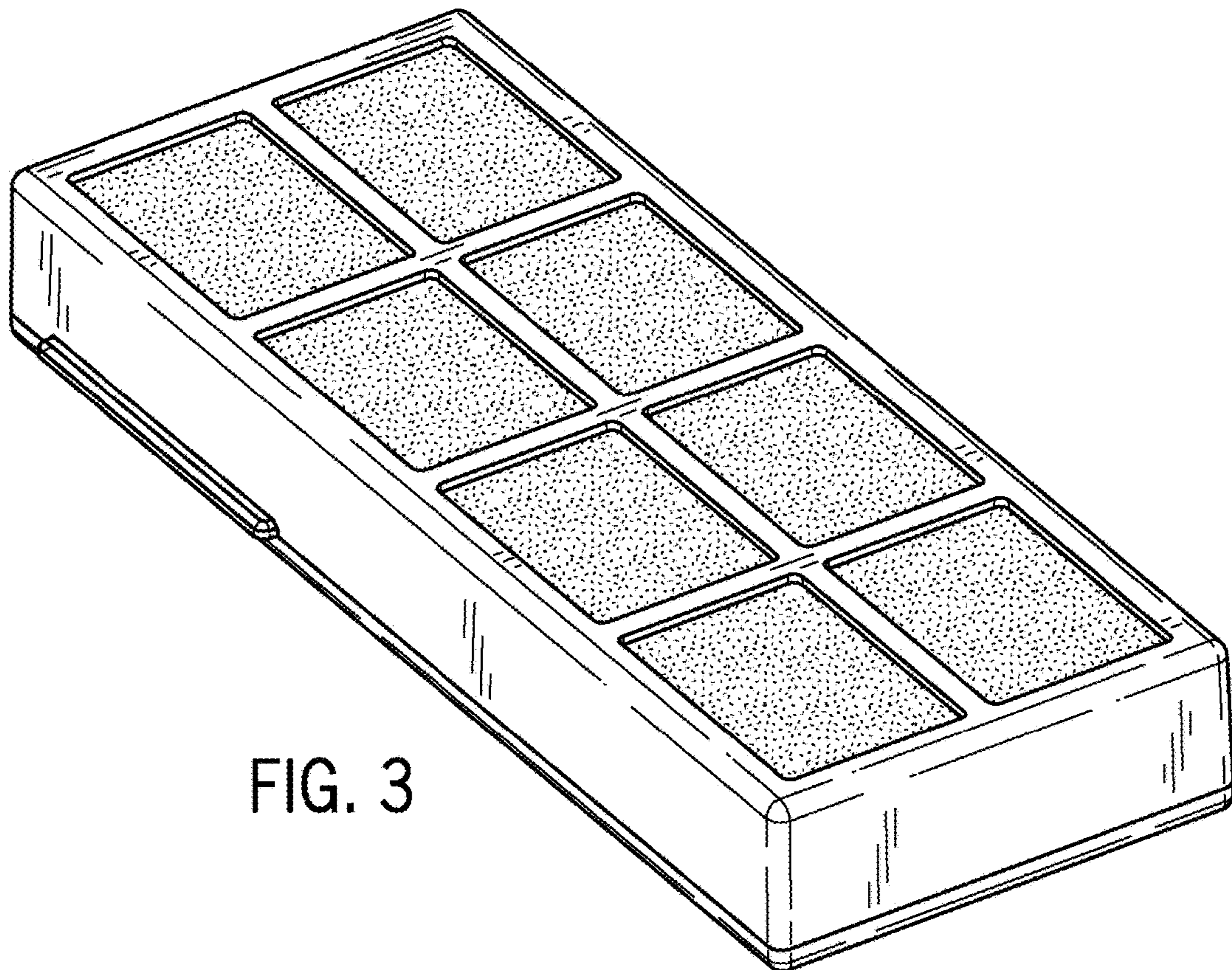


FIG. 3

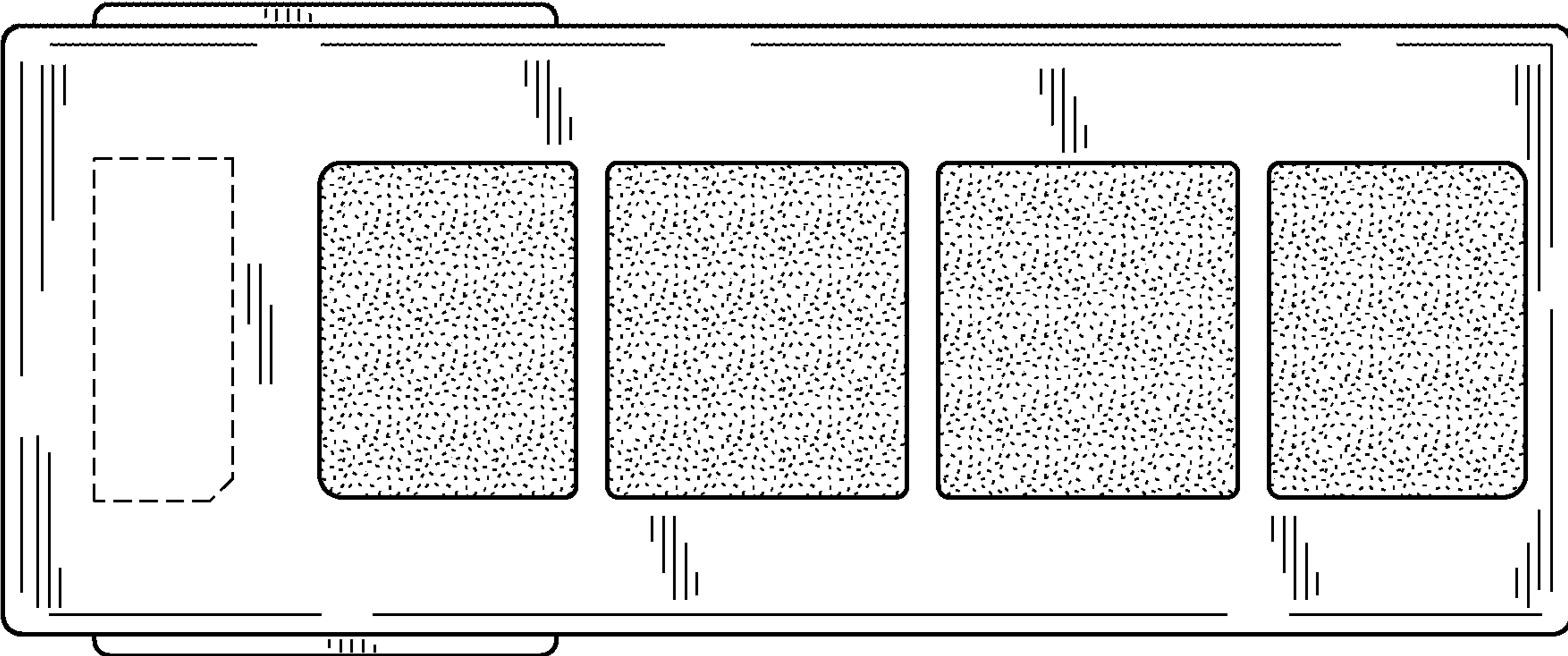


FIG. 4

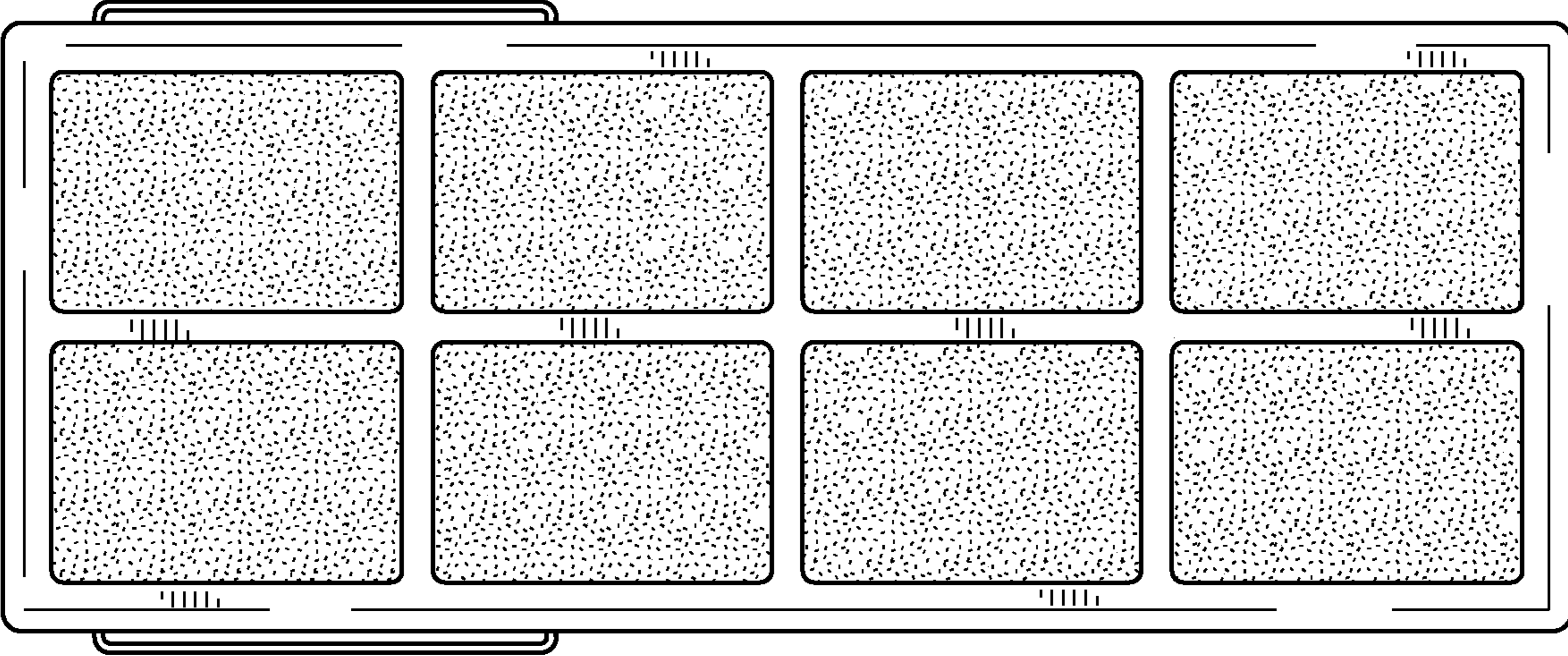


FIG. 5

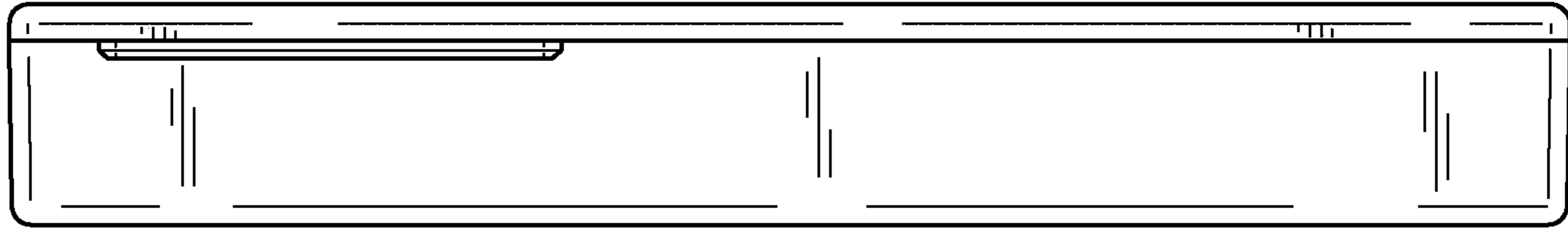


FIG. 6

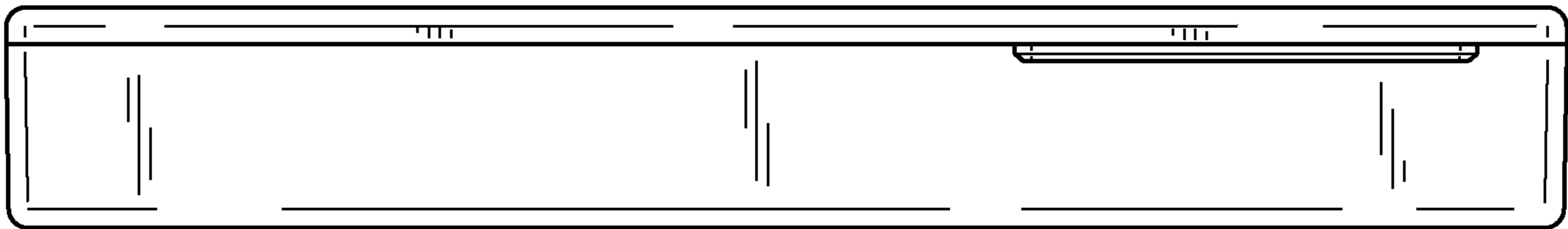


FIG. 7

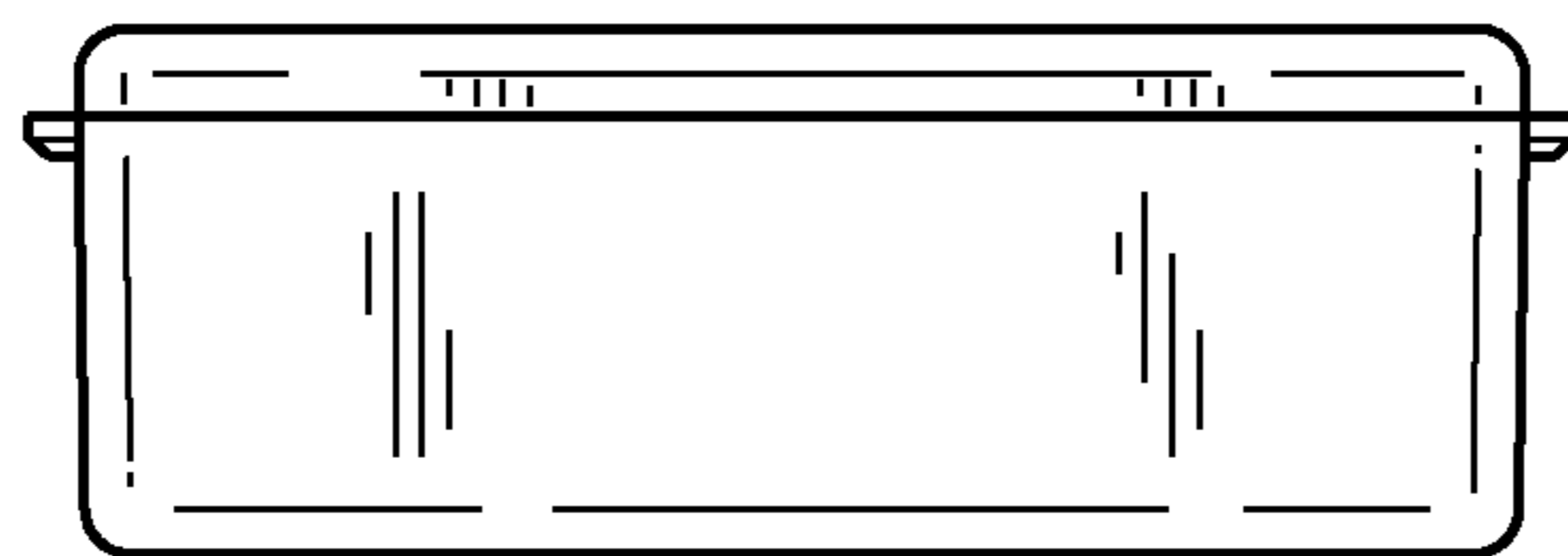


FIG. 8

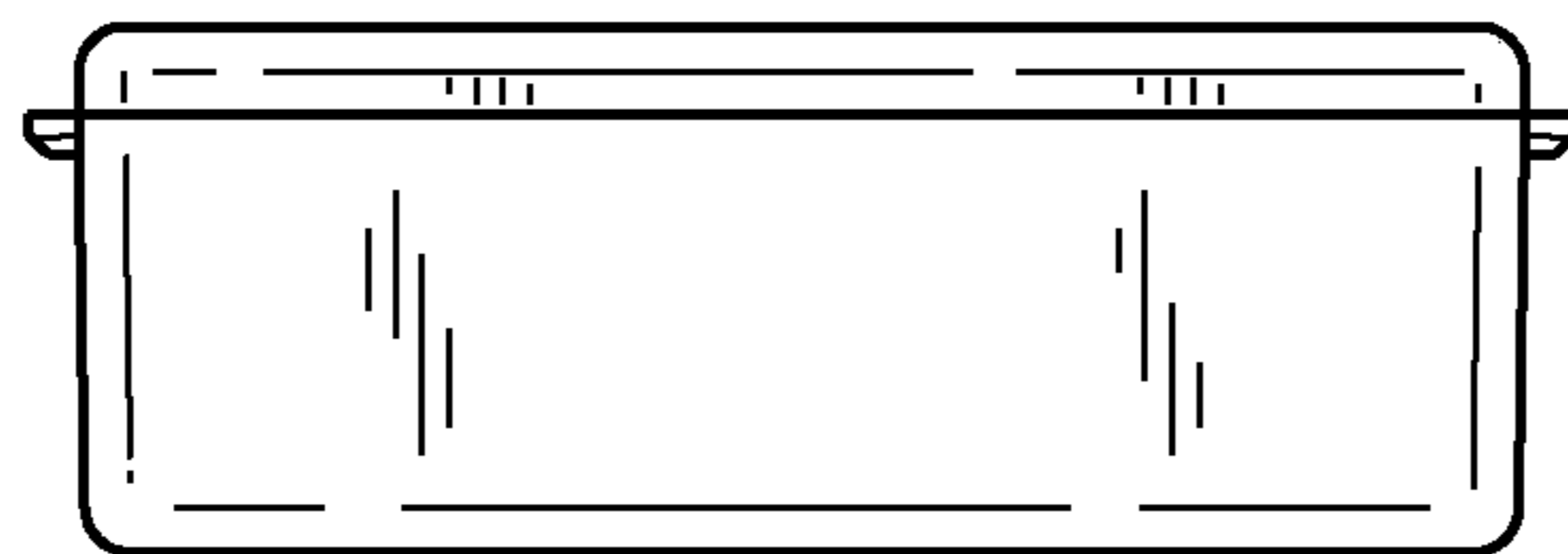


FIG. 9