



US00D967381S

(12) **United States Design Patent** (10) **Patent No.:** **US D967,381 S**
Campbell et al. (45) **Date of Patent:** **** Oct. 18, 2022**

(54) **AIR FILTRATION MODULE**

(71) Applicant: **Celios Corporation**, Wakefield, MA (US)
 (72) Inventors: **Neil J. Campbell**, Woodbine, MD (US); **Iyam Lynch**, Winston-Salem, NC (US); **Michelle Campbell**, Pittsburgh, PA (US)

(73) Assignee: **DSS PureAir, Inc.**, West Henrietta, NY (US)

(**) Term: **15 Years**

(21) Appl. No.: **29/737,148**

(22) Filed: **Jun. 5, 2020**

(51) **LOC (13) Cl.** **23-04**

(52) **U.S. Cl.**
USPC **D23/365**

(58) **Field of Classification Search**
 USPC D23/200, 207, 209, 260, 261, 332, 333, D23/351-367, 370, 388, 393, 397, 412; D10/49
 CPC ... A61L 9/00; A61L 9/02; A61L 9/012; A61L 9/03; A61L 9/032; A61L 9/035; A61L 9/037; A61L 9/04; A61L 9/12; A61L 9/122; A61L 2209/16; F24F 1/01; F24F 1/02; F24F 1/06; F24F 1/18; F24F 1/20; F24F 1/22; F24F 1/24; F24F 1/32; F24F 1/62; F24F 1/0011; F24F 1/0014; F24F 1/0007; F24F 1/0018; F24F 1/0022; F24F 1/0029; F24F 1/0033; F24F 3/00; F24F 3/12; F24F 3/14; F24F 3/16; F24F 3/044; F24F 3/048; F24F 3/065; F24F 5/001; F24F 5/0017; F24F 5/0035; F24F 5/0003; F24F 7/013; F24F 7/10; F24F 7/0227; F24F 6/06; B01D 46/0002; B01D 46/0006; B01D 46/0008; B01D 46/0013; B01D 46/0028; B01D 46/0032; B01D 46/0036; B01D 46/0043; B01D 46/10; B01D 46/2422; B01D

(Continued)

(56) **References Cited**

U.S. PATENT DOCUMENTS

D470,233 S * 2/2003 Sarkinen D23/388
 D588,257 S * 3/2009 Reedy D23/388
 D890,904 S * 7/2020 Farone D23/364

(Continued)

OTHER PUBLICATIONS

Celios. "Celios_Amazon." www.amazon.com. Thur. Dec. 16, 2021. Shown in pp. 1,3,4,6, Model G200 Available from URL: https://www.amazon.com/Celios-G200-Advanced-Air-Purifier/dp/B085WB6VVB/ (Year: 2020).*

(Continued)

Primary Examiner — Gino Colan

Assistant Examiner — David OBrien

(74) *Attorney, Agent, or Firm* — Remenick PLLC

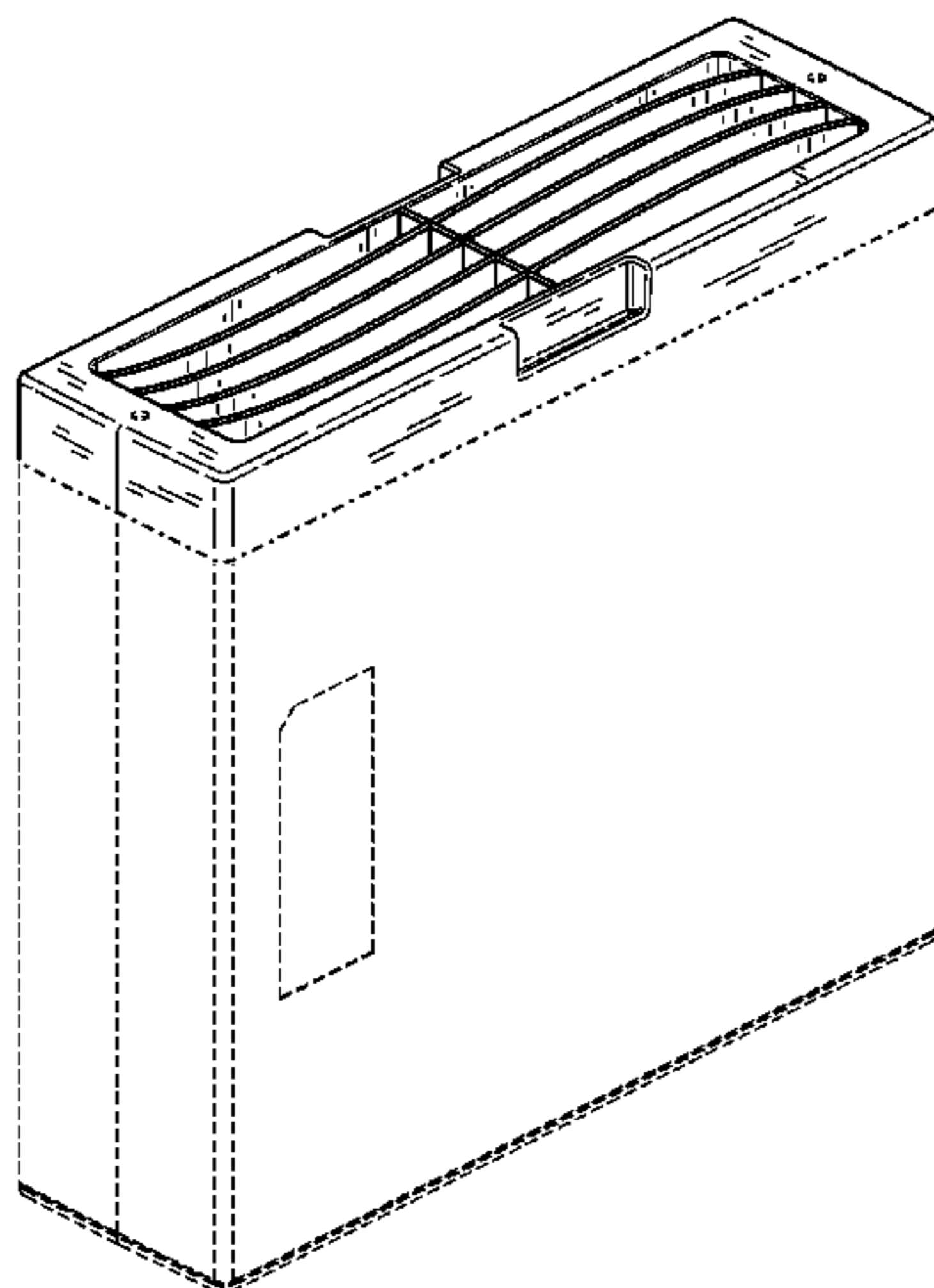
(57) **CLAIM**

The ornamental design for an air filtration module, as shown and described.

DESCRIPTION

FIG. 1 is a perspective view of an air filtration module showing our new design;
 FIG. 2 is a front view of the air filtration module;
 FIG. 3 is a rear view of the air filtration module;
 FIG. 4 is a right side view of the air filtration module;
 FIG. 5 is a left side view of the air filtration module;
 FIG. 6 is a top view of the air filtration module; and,
 FIG. 7 is a bottom view of the air filtration module.
 The broken lines showing in the figures are included for the purpose of illustrating portions of the air filtration module that form no part of the claimed design. The dash-dot lines showing in the figures are included for defining the bounds of the claimed design that form no part thereof.

1 Claim, 5 Drawing Sheets



(58) **Field of Classification Search**

CPC 46/4236; B01D 46/4245; B01D 46/521;
B01D 2267/60

See application file for complete search history.

(56) **References Cited**

U.S. PATENT DOCUMENTS

10,870,076 B1 * 12/2020 Lynch B01D 46/0043
10,926,209 B1 * 2/2021 Lynch B01D 46/0043
D921,868 S * 6/2021 Park D23/364
2011/0084414 A1 * 4/2011 Ahn F24F 3/14
261/91
2018/0224134 A1 * 8/2018 Bae F24F 1/0022

OTHER PUBLICATIONS

Intertek. "Intertek_Full_VOC_Test_Report." www.cdn.shopify.com. Wed. Dec. 15, 2021. Shown in p. 8, Model G200, Available from URL: https://cdn.shopify.com/s/files/1/0322/6124/2925/files/Intertek_Full_VOC_Test_Report.pdf?v=1588020679 (Year: 2020).*

* cited by examiner

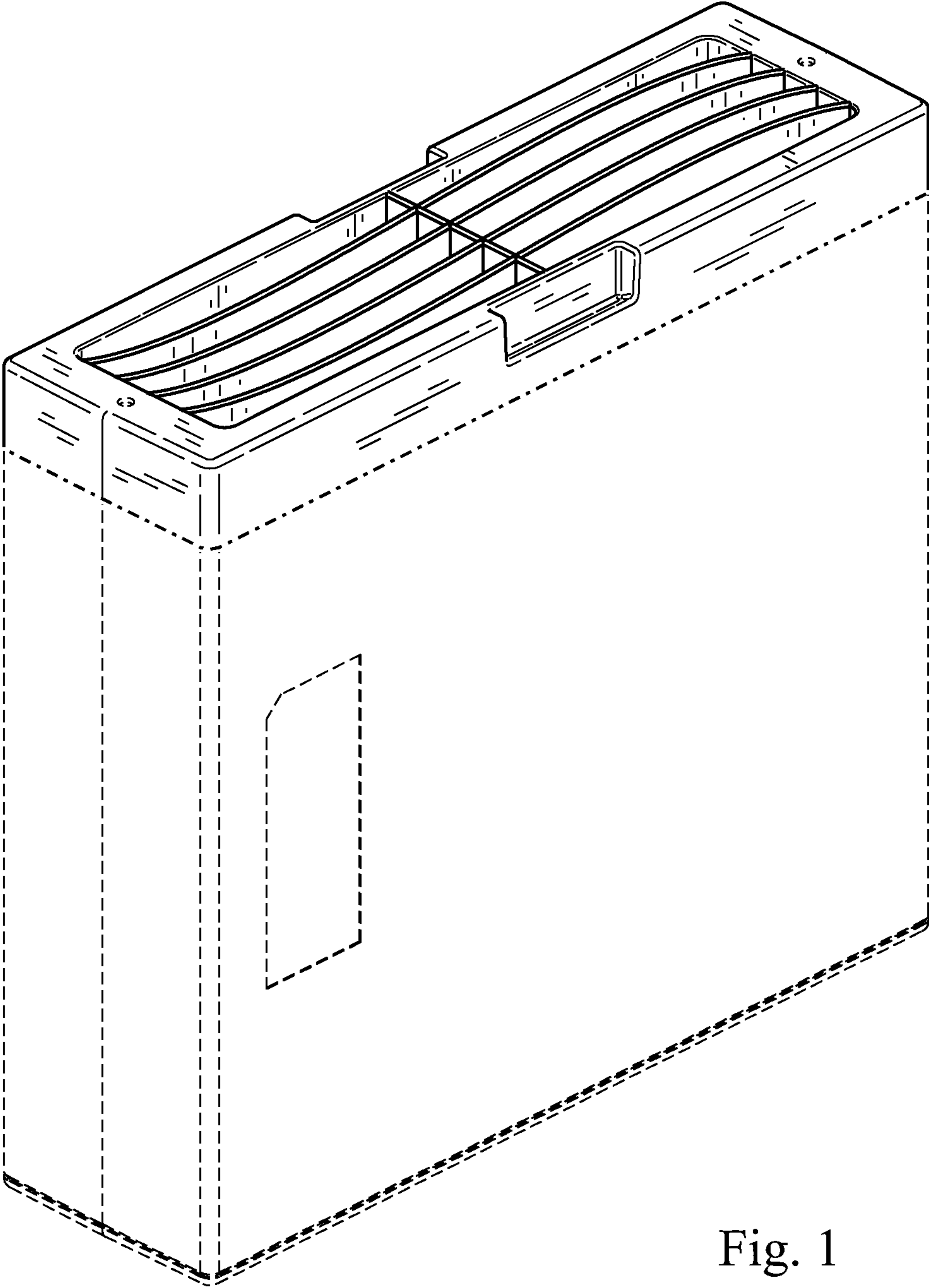


Fig. 1

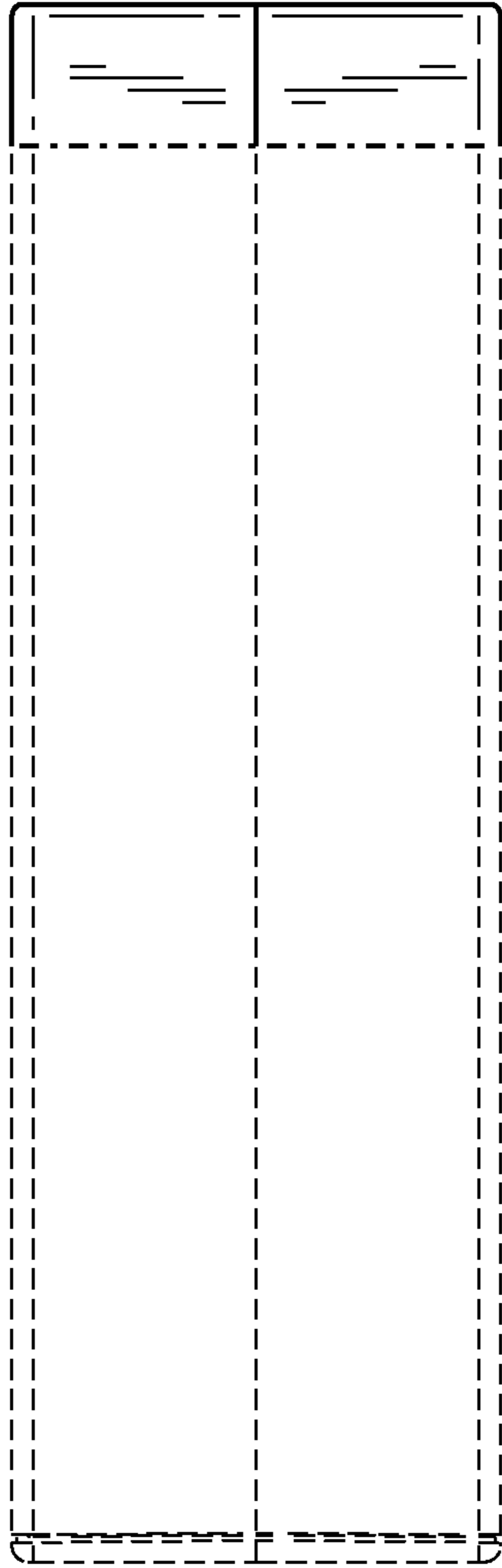


Fig. 2



Fig. 3

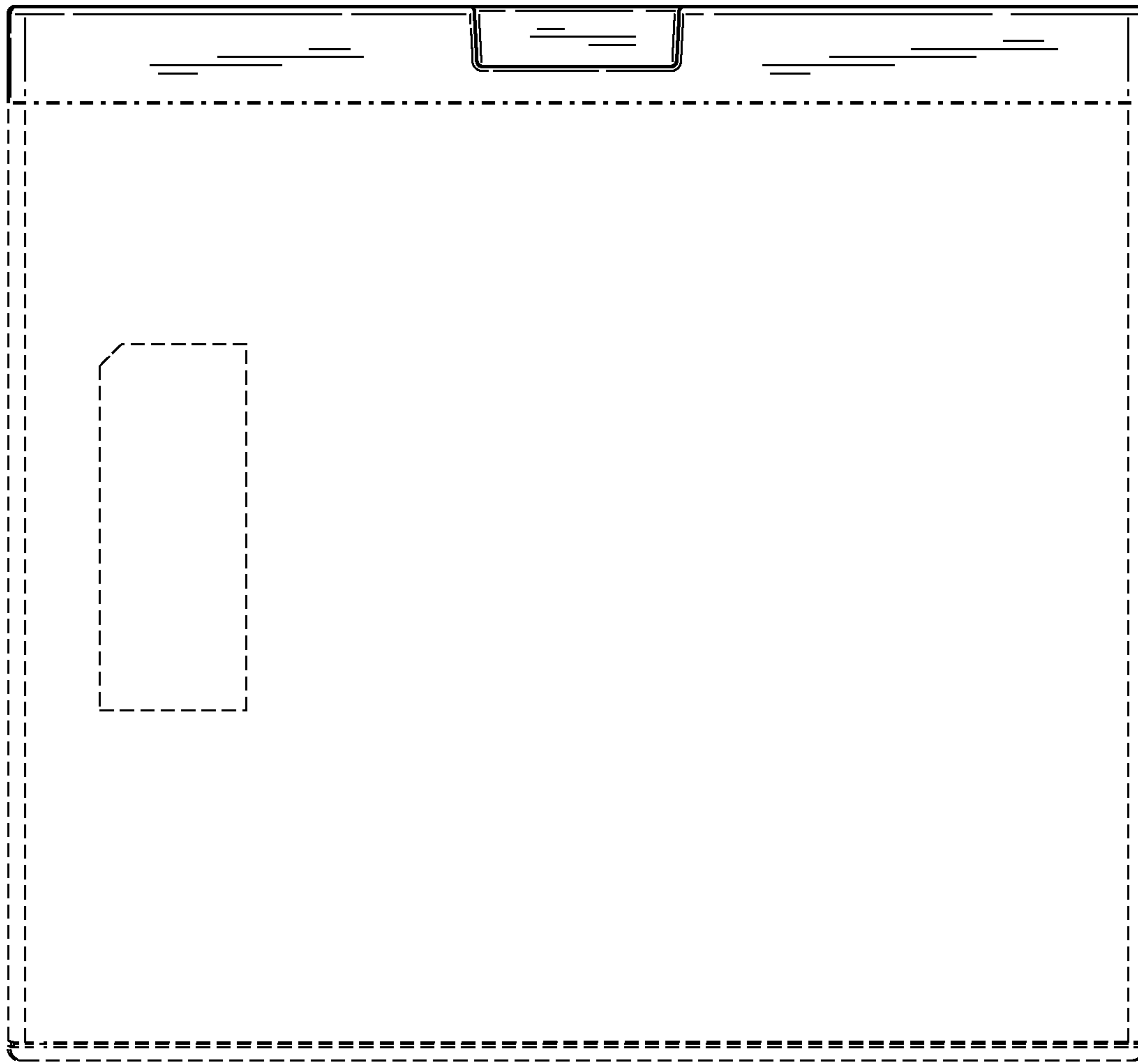


Fig. 4

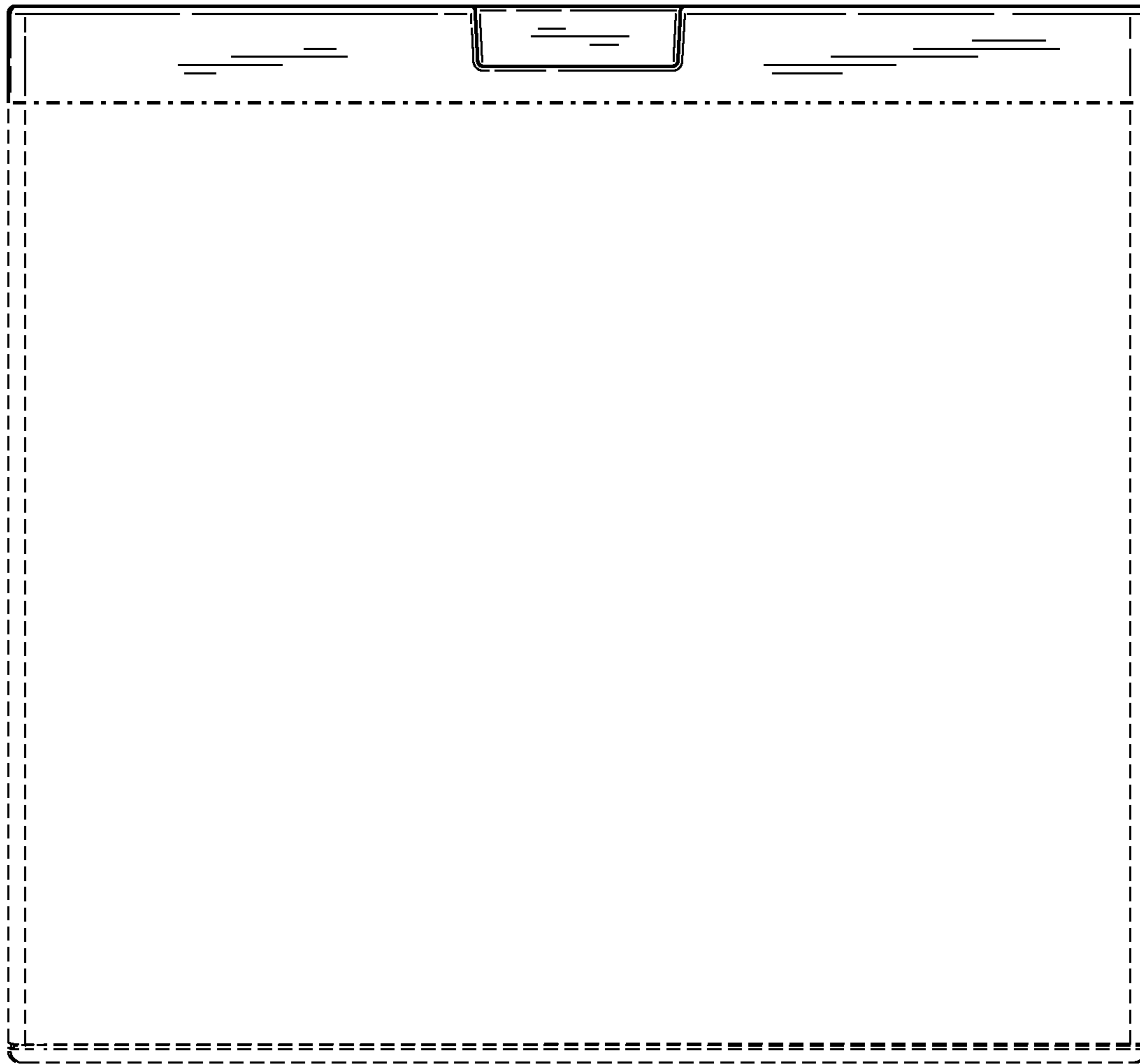


Fig. 5

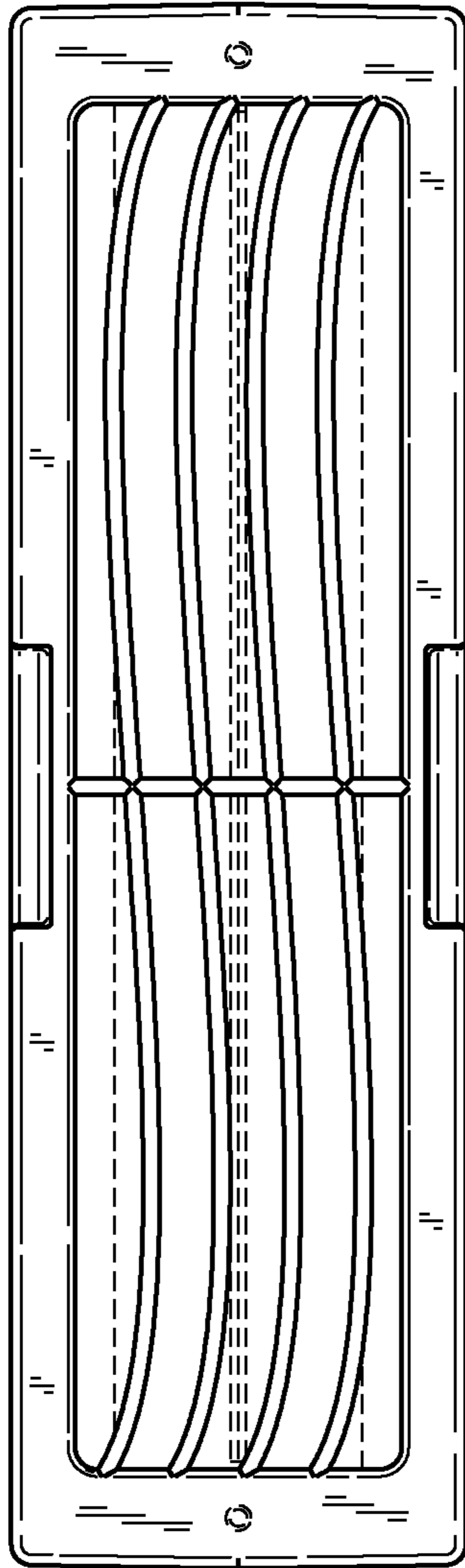


Fig. 6

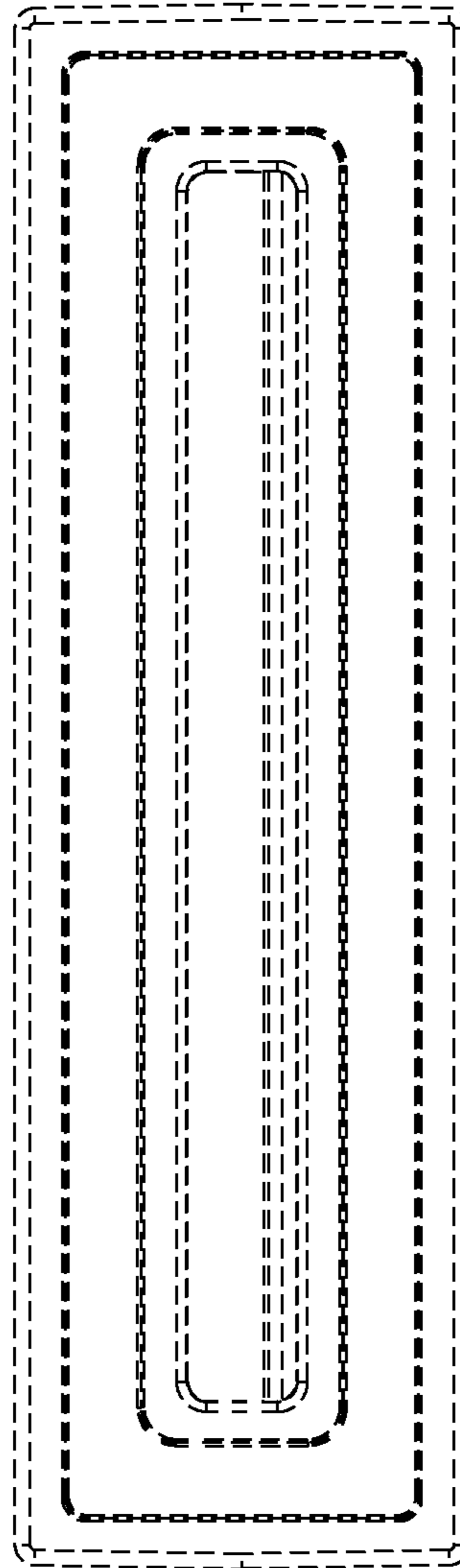


Fig. 7