



US00D967380S

(12) **United States Design Patent** (10) **Patent No.:** **US D967,380 S**
Campbell et al. (45) **Date of Patent:** **** Oct. 18, 2022**

(54) **AIR FILTRATION SYSTEM**

(71) Applicant: **Celios Corporation**, Wakefield, MA (US)
 (72) Inventors: **Neil Campbell**, Woodbine, MD (US);
Iyam Lynch, Winston-Salem, NC (US);
Michelle Campbell, Pittsburgh, PA (US)

(73) Assignee: **DSS PureAir, Inc.**, West Henrietta, NY (US)

(**) Term: **15 Years**

(21) Appl. No.: **29/737,110**

(22) Filed: **Jun. 5, 2020**

(51) **LOC (13) Cl.** **23-04**

(52) **U.S. Cl.**
USPC **D23/365**

(58) **Field of Classification Search**
 USPC D23/200, 207, 209, 260, 261, 332, 333,
 D23/351–367, 370, 388, 397; D10/49
 CPC ... A61L 9/00; A61L 9/02; A61L 9/012; A61L
 9/03; A61L 9/032; A61L 9/035; A61L
 9/037; A61L 9/04; A61L 9/12; A61L
 9/122; A61L 2209/16; F24F 1/01; F24F
 1/02; F24F 1/06; F24F 1/18; F24F 1/20;
 F24F 1/22; F24F 1/24; F24F 1/32; F24F
 1/62; F24F 1/0011; F24F 1/0014; F24F
 1/0007; F24F 1/0018; F24F 1/0022; F24F
 1/0029; F24F 1/0033; F24F 3/00; F24F
 3/12; F24F 3/14; F24F 3/16; F24F 3/044;
 F24F 3/048; F24F 3/065; F24F 5/001;
 F24F 5/0017; F24F 5/0035; F24F 5/0003;
 F24F 7/013; F24F 7/10; F24F 7/0227;
 F24F 6/06; B01D 46/0002; B01D
 46/0006; B01D 46/0008; B01D 46/0013;
 B01D 46/0028; B01D 46/0032; B01D
 46/0036; B01D 46/0043; B01D 46/10;
 B01D 46/2422; B01D 46/4236; B01D
 46/4245; B01D 46/521; B01D 2267/60

See application file for complete search history.

(56) **References Cited**

U.S. PATENT DOCUMENTS

D891,596 S * 7/2020 Choi D23/364
 10,870,076 B1 * 12/2020 Lynch B01D 46/0043
 10,926,209 B1 * 2/2021 Lynch B01D 46/0043
 (Continued)

OTHER PUBLICATIONS

Celios. "Celios_Amazon." www.amazon.com. Thur. Dec. 16, 2021.
 Shown in pp. 1,3,6, Model G200 Available from URL: <https://www.amazon.com/Celios-G200-Advanced-Air-Purifier/dp/B085WB6VVB/>
 (Year: 2020).*

(Continued)

Primary Examiner — Gino Colan
Assistant Examiner — David OBrien
 (74) *Attorney, Agent, or Firm* — Remenick PLLC

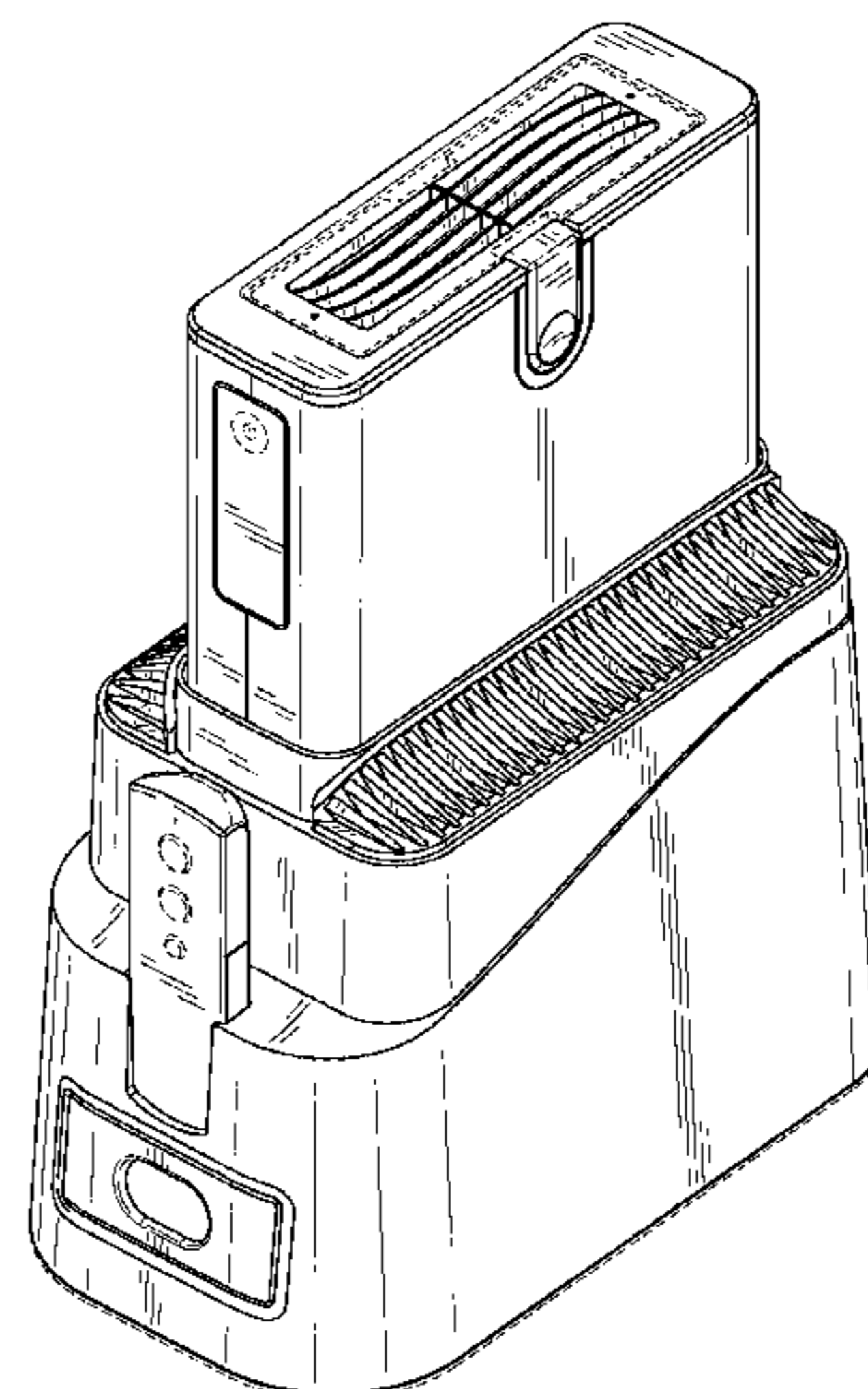
(57) **CLAIM**

The ornamental design for an air filtration system, as shown and described.

DESCRIPTION

FIG. 1 is a perspective view of an air filtration system showing our new design;
 FIG. 2 is a front view of the air filtration system;
 FIG. 3 is a rear view of the air filtration system;
 FIG. 4 is a right side view of the air filtration system;
 FIG. 5 is a left side view of the air filtration system;
 FIG. 6 is a top view of the air filtration system;
 FIG. 7 is a bottom view of the air filtration system; and,
 FIG. 8 is a perspective view of the air filtration system with a remote control separated from the system.
 The broken lines showing in the figures are included for the purpose of illustrating portions of the air filtration device that form no part of the claimed design.

1 Claim, 7 Drawing Sheets



(56)

References Cited

U.S. PATENT DOCUMENTS

2006/0150818 A1* 7/2006 Okamoto B01D 46/0028
96/223
2011/0084414 A1* 4/2011 Ahn F24F 3/14
261/91
2011/0084415 A1* 4/2011 Kim F24F 6/06
261/92
2018/0224134 A1* 8/2018 Bae F24F 1/0022

OTHER PUBLICATIONS

Intertek. "Intertek_Full_VOC_Test_Report." www.cdn.shopify.com. Wed. Dec. 15, 2021. Shown in p. 8, Model G200, Available from URL: https://cdn.shopify.com/s/files/1/0322/6124/2925/files/Intertek_Full_VOC_Test_Report.pdf?v=1588020679 (Year: 2020).*

* cited by examiner

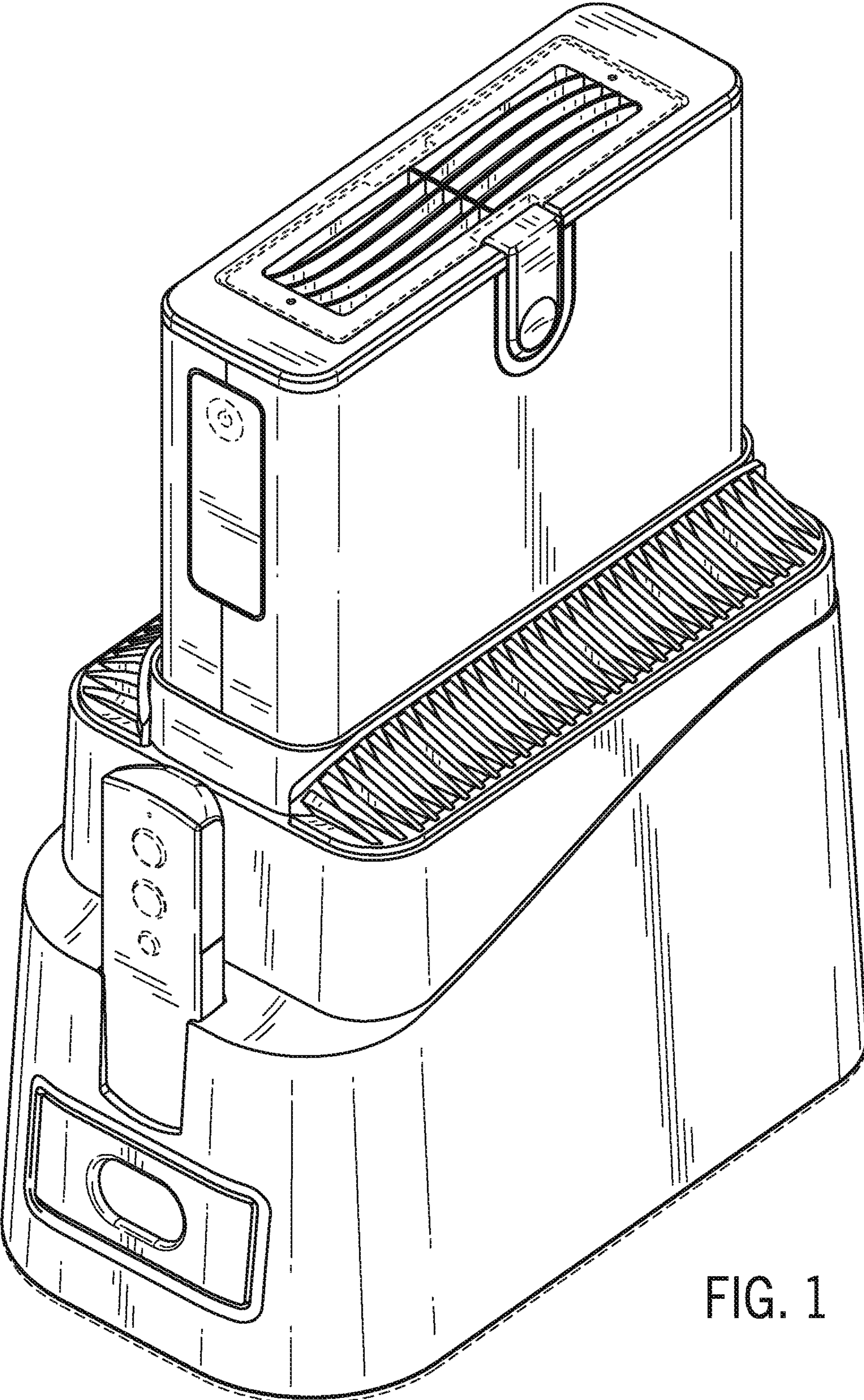


FIG. 1

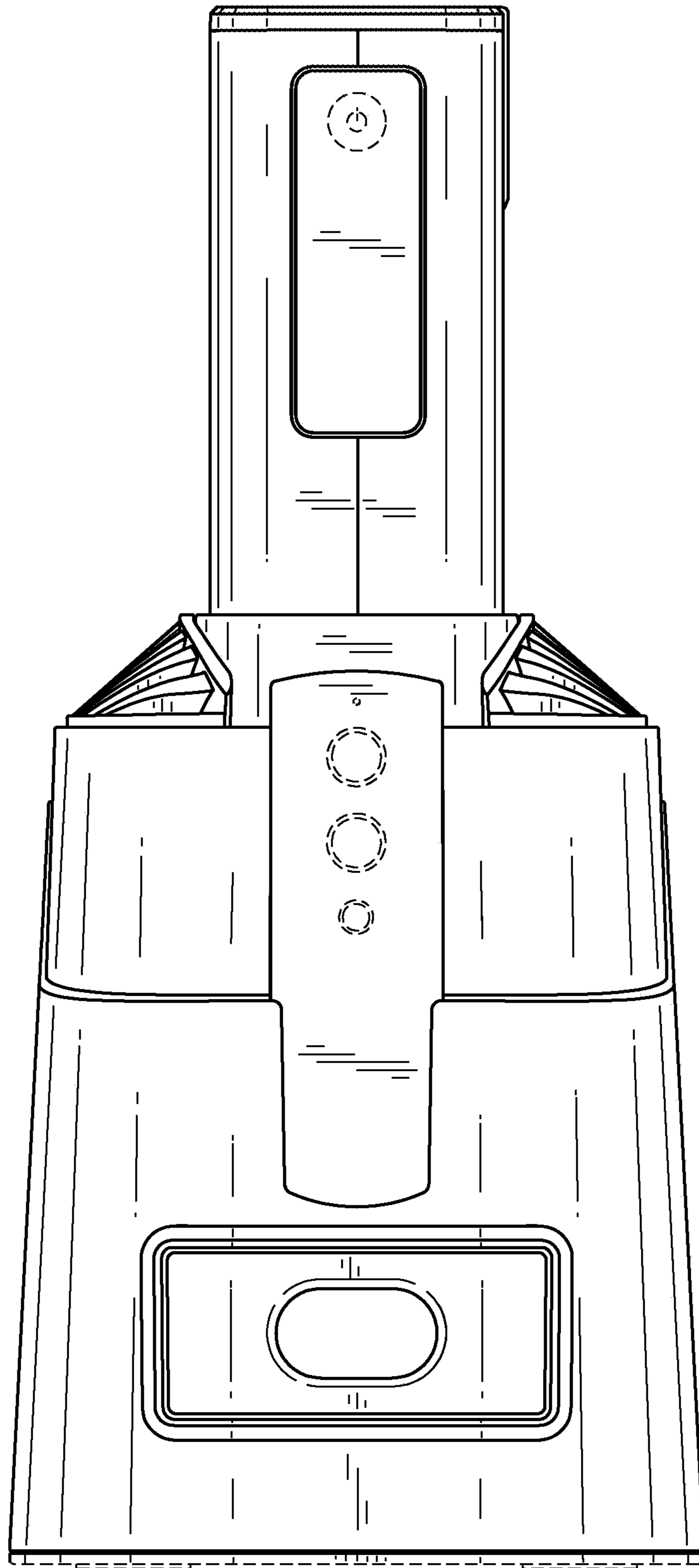


FIG. 2

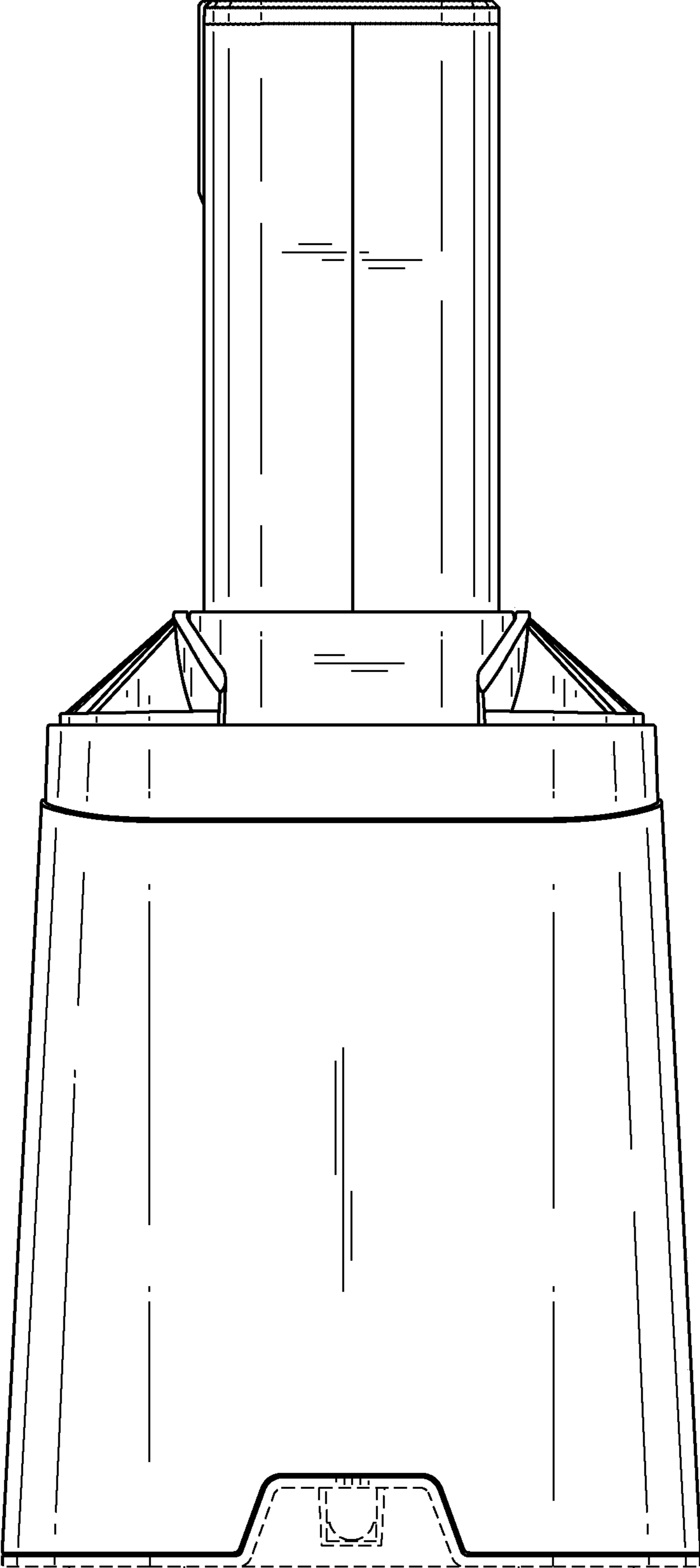


FIG. 3

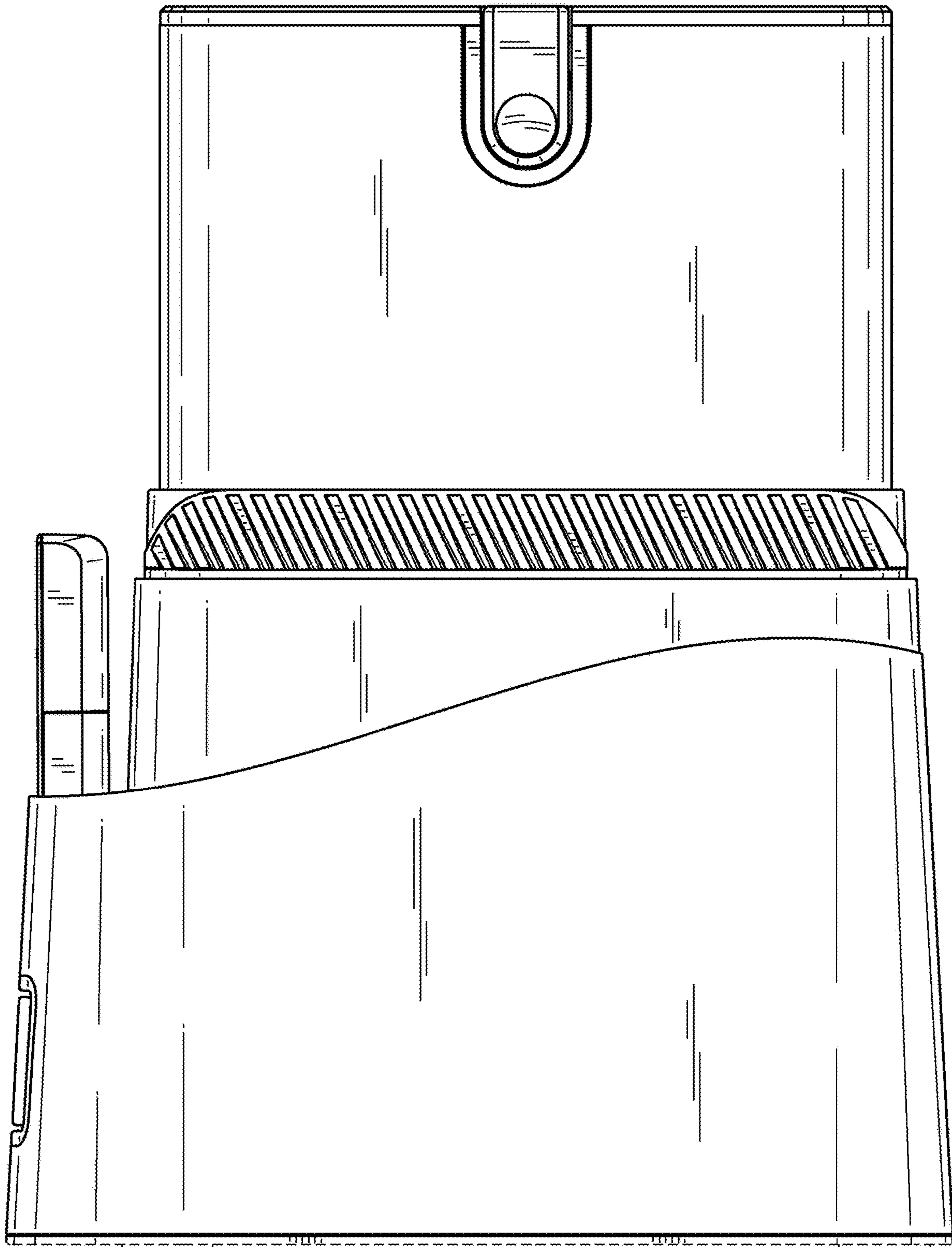


FIG. 4

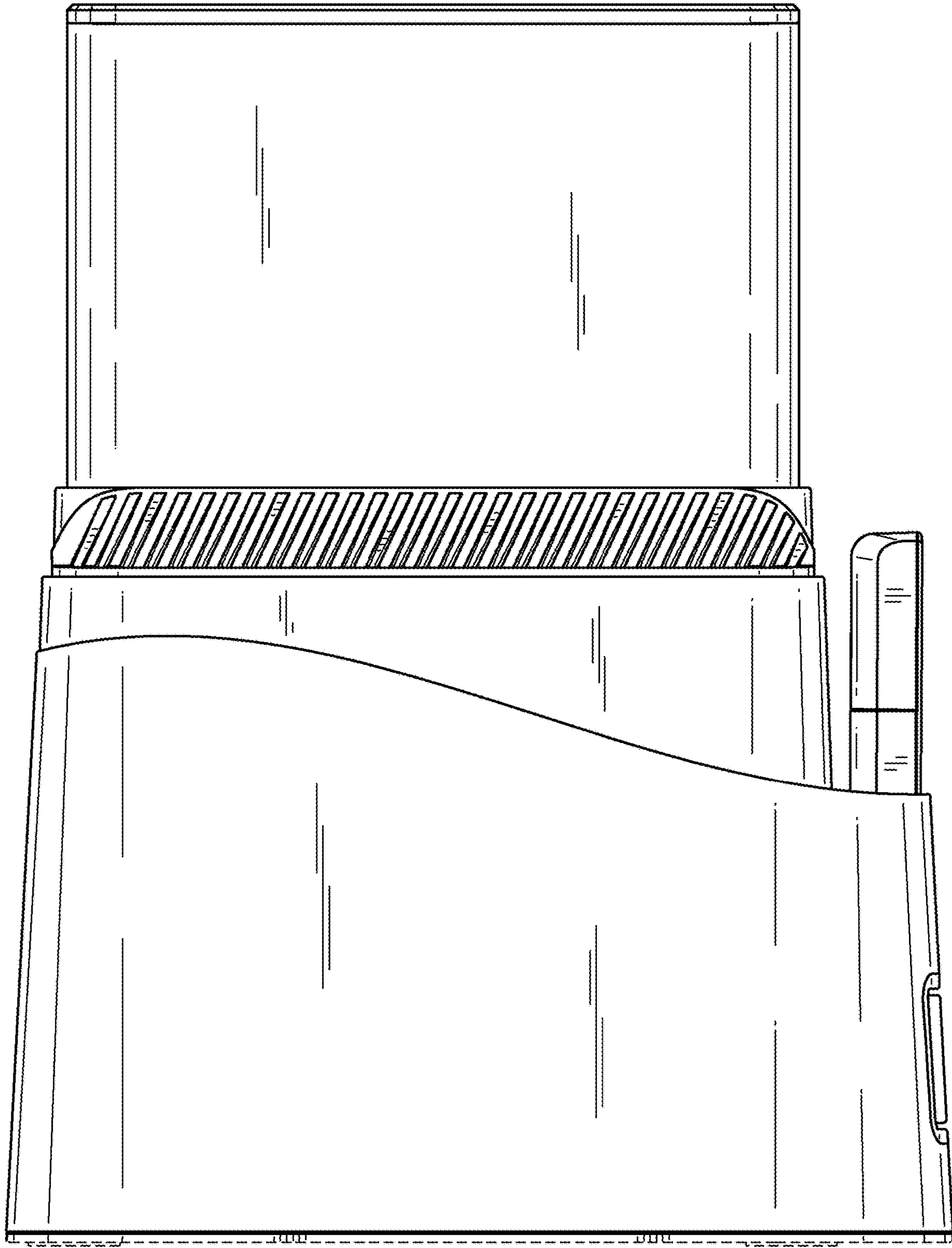


FIG. 5

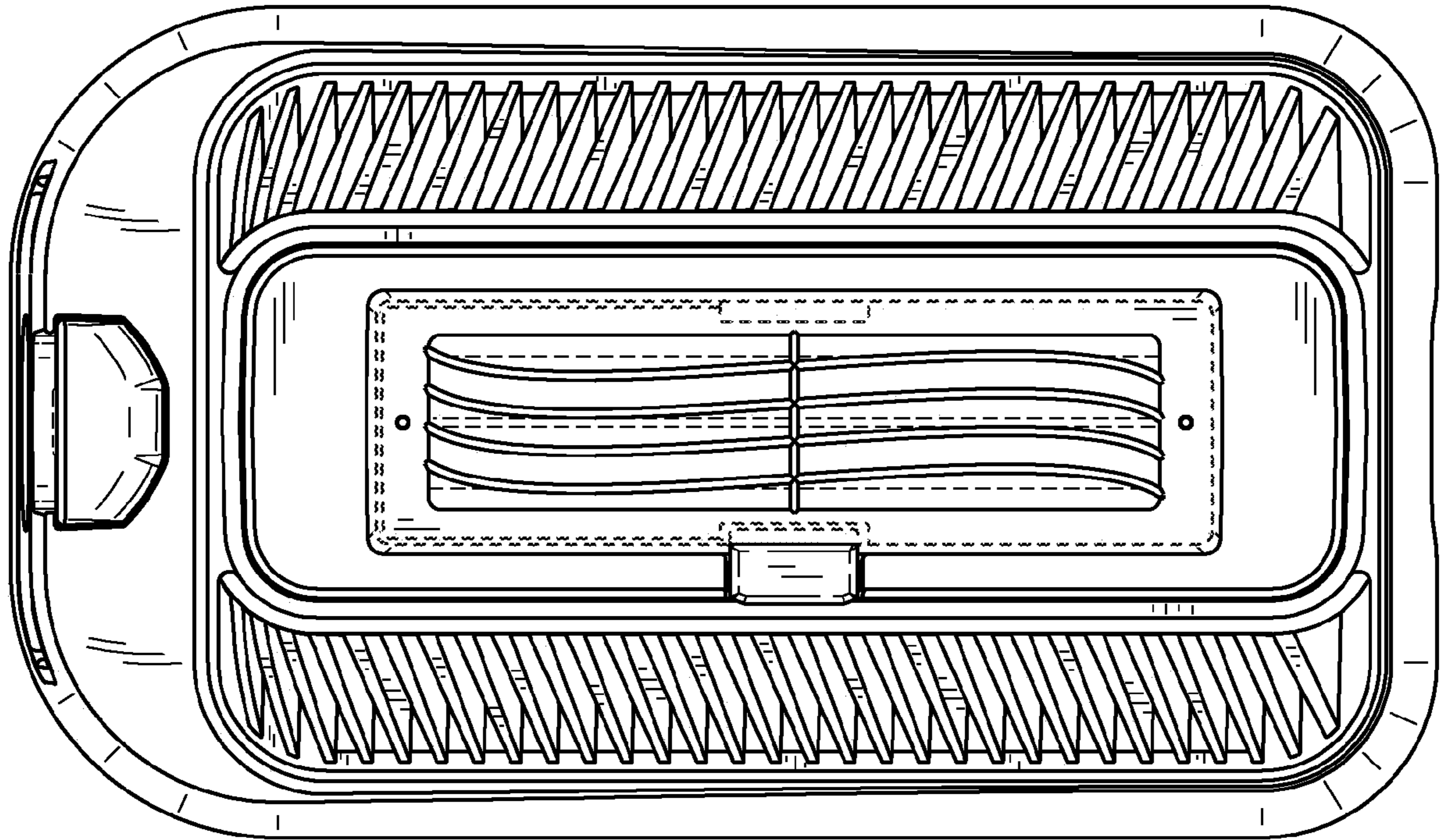


FIG. 6

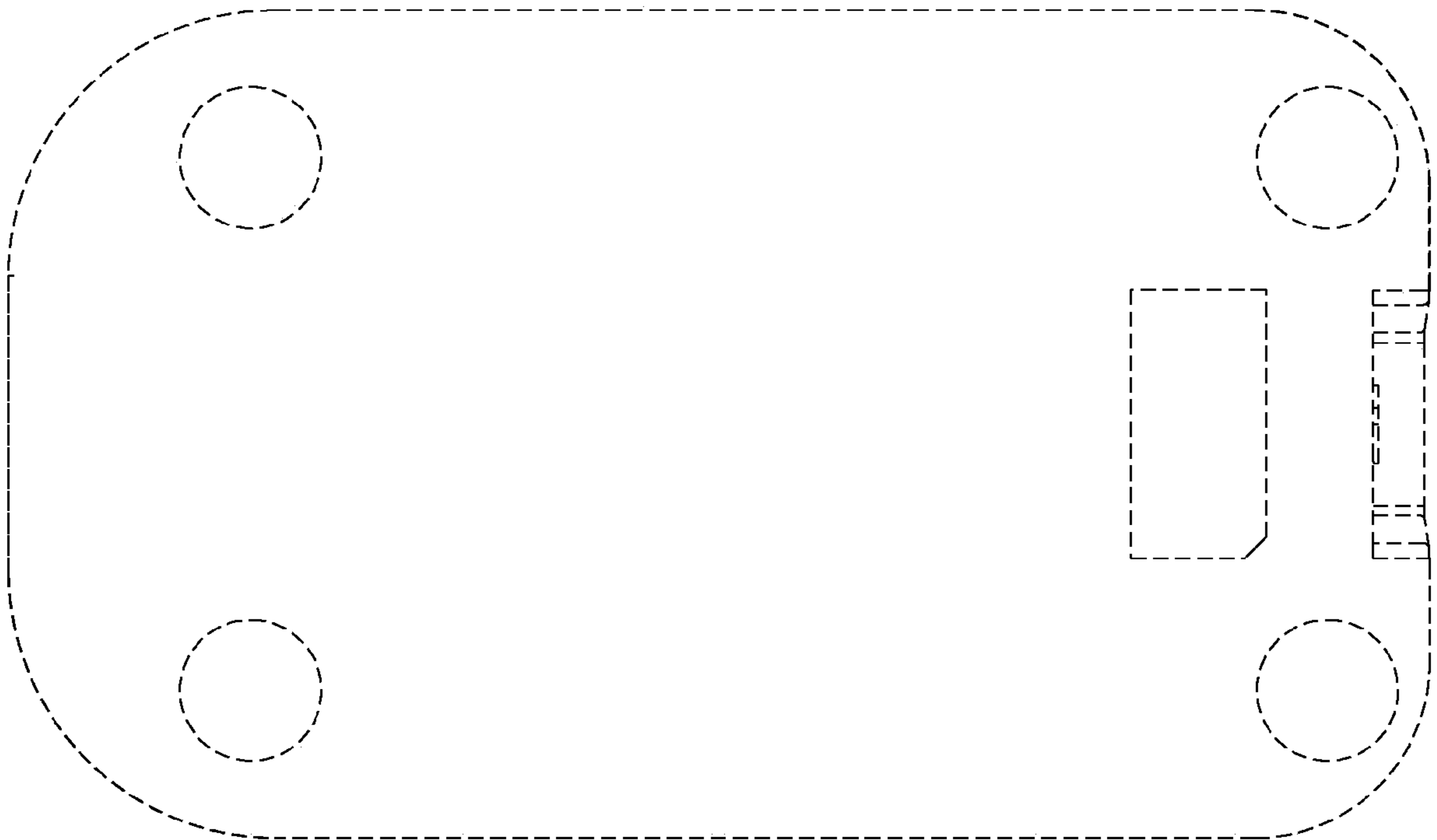


FIG. 7

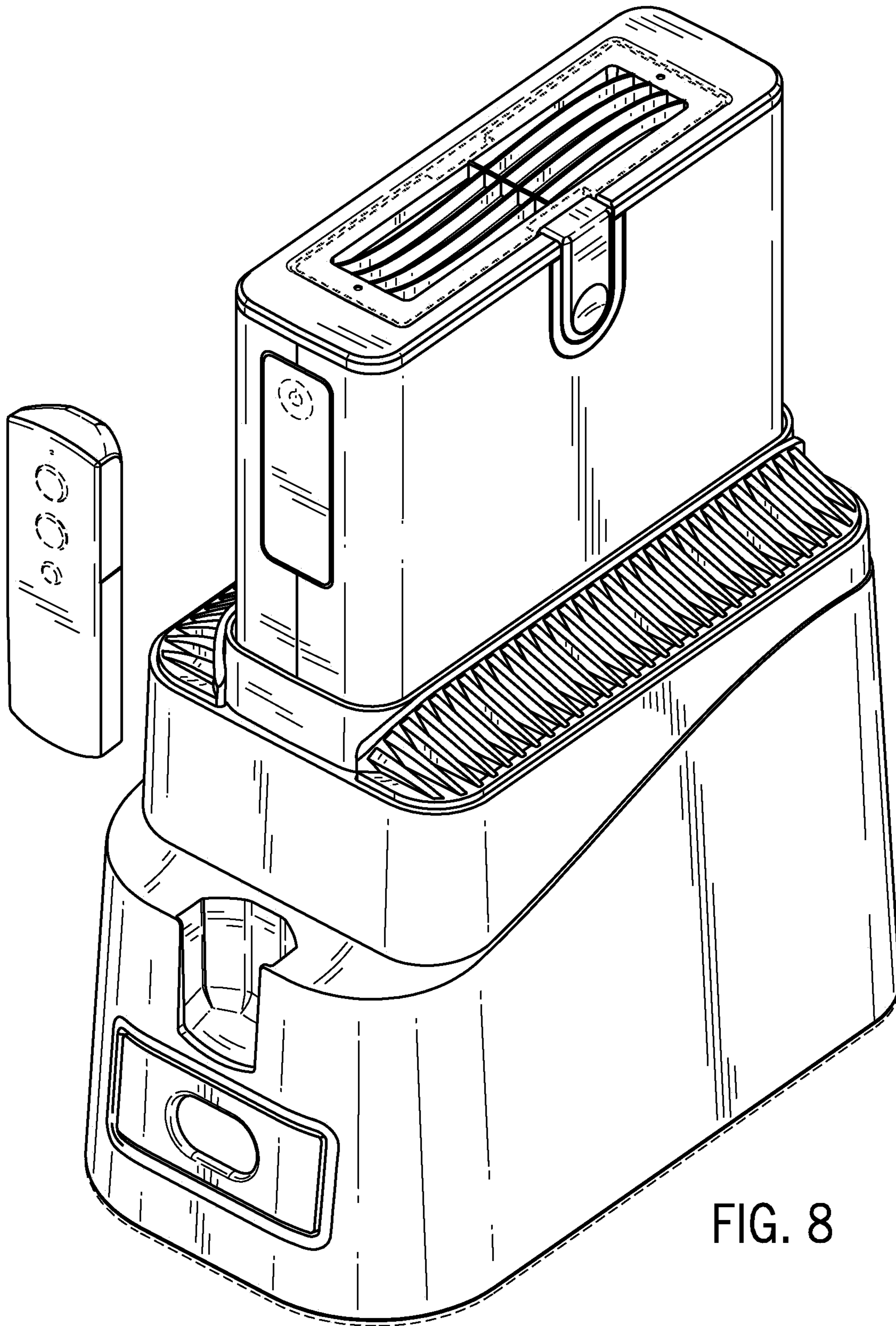


FIG. 8