



US00D967379S

(12) **United States Design Patent**
Ha et al.

(10) **Patent No.:** **US D967,379 S**
(45) **Date of Patent:** **** Oct. 18, 2022**

(54) **AIR PURIFIER**
(71) Applicant: **LG ELECTRONICS INC., Seoul (KR)**
(72) Inventors: **Jiug Ha, Seoul (KR); Seungho Baek, Seoul (KR); Kangeui Cho, Seoul (KR); Sungkyong Han, Seoul (KR); Sehwan Bae, Seoul (KR); Myungwhoon Lee, Seoul (KR)**

D569,628 S * 5/2008 Harkenrider D5/60
D597,741 S * 8/2009 Harkenrider D5/60
D656,741 S * 4/2012 Snyder D5/60
D805,622 S * 12/2017 Lee D23/364
D818,096 S * 5/2018 Cho B01D 53/0415
D23/364
D818,097 S * 5/2018 Cho A61L 9/12
D23/364
D818,098 S * 5/2018 Cho B01D 46/0047
D23/364
D829,313 S * 9/2018 Cho F24F 13/28
D23/364

(73) Assignee: **LG ELECTRONICS INC., Seoul (KR)**

(**) Term: **15 Years**

(21) Appl. No.: **29/772,515**

(22) Filed: **Mar. 2, 2021**

(30) **Foreign Application Priority Data**

Sep. 3, 2020 (KR) 30-2020-0041765

(51) **LOC (13) Cl.** **23-04**

(52) **U.S. Cl.**
USPC **D23/364**

(58) **Field of Classification Search**
USPC .. D7/536, 538, 553.8, 554.2, 602-604, 612;
D9/428, 545, 738, 763-764, 767;
D23/332-335, 337, 342, 352, 355-366,
D23/369-370; D5/1-3, 56-63
CPC .. A61L 9/00; A61L 9/22; B01D 47/00; B01D
47/027; B01D 2259/4508; B03C 3/155;
B03C 3/368; F24F 3/16; F24F 13/20;
F24F 13/28

See application file for complete search history.

(56) **References Cited**

U.S. PATENT DOCUMENTS

D566,404 S * 4/2008 Harkenrider D5/60
D566,971 S * 4/2008 Harkenrider D5/60

(Continued)

Primary Examiner — Karen S Acker

Assistant Examiner — Jonathan E Fiencke

(74) *Attorney, Agent, or Firm* — Birch, Stewart, Kolasch & Birch, LLP

(57) **CLAIM**

We claim the ornamental design for an air purifier, as shown and described.

DESCRIPTION

FIG. 1 is a perspective view of an air purifier showing the new design;

FIG. 2 is a front elevation view thereof;

FIG. 3 is a rear elevation view thereof;

FIG. 4 is a left-side elevation view thereof;

FIG. 5 is a right-side elevation view thereof;

FIG. 6 is a top plan view thereof;

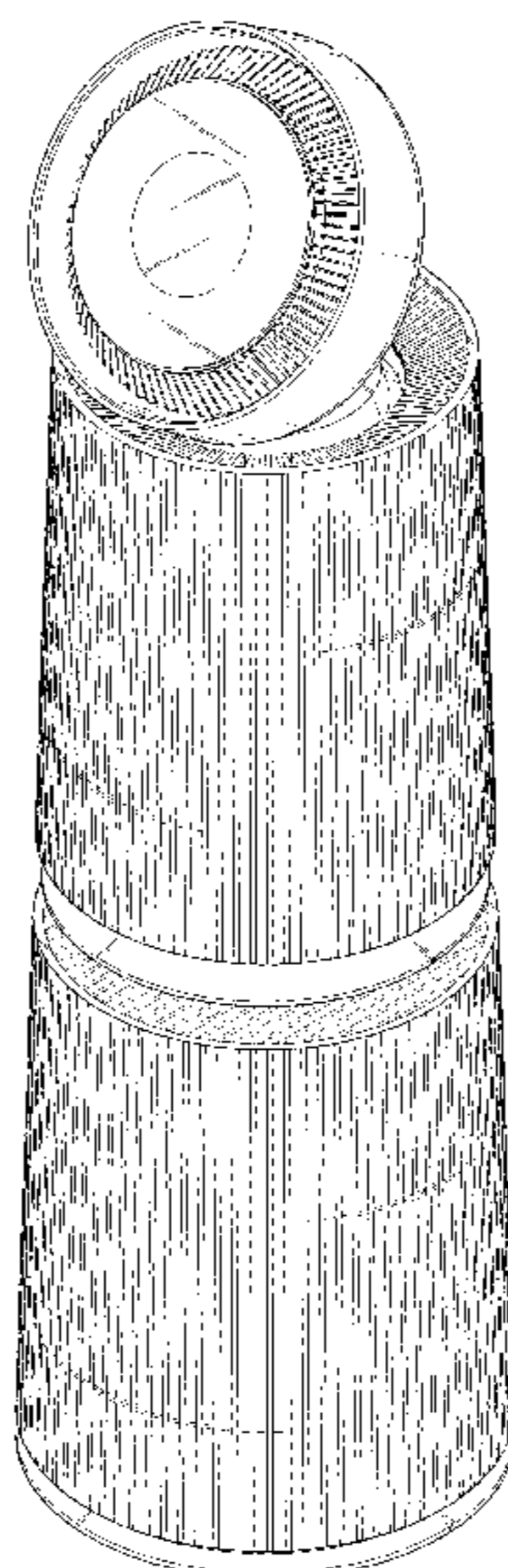
FIG. 7 is a bottom plan view thereof;

FIG. 8 is an enlarged detail view of area 8 circumscribed within FIG. 1; and,

FIG. 9 is another perspective view showing the air purifier in a state of use.

The evenly spaced broken lines depict portions of the air purifier that form no part of the claimed design. The dot dash dot broken lines in FIGS. 1 and 8 depict the boundary of the enlarged view of FIG. 8, taken from FIG. 1, and form no part of the claimed design.

1 Claim, 9 Drawing Sheets



(56)

References Cited

U.S. PATENT DOCUMENTS

D829,314 S * 9/2018 Cho F24F 13/082
D23/364
D832,414 S * 10/2018 Sharma D23/364
D941,980 S * 1/2022 Zhang D23/364
D942,604 S * 2/2022 Yang D23/364
D943,072 S * 2/2022 Hu D23/356
D944,959 S * 3/2022 Wang D23/364
D947,341 S * 3/2022 Xia D23/364
D948,016 S * 4/2022 Yoon D23/364
D950,034 S * 4/2022 Peng D23/364
D951,412 S * 5/2022 Han D23/364
D952,817 S * 5/2022 Han D23/364
D954,241 S * 6/2022 Han D23/364
D957,607 S * 7/2022 Han D23/364
D957,609 S * 7/2022 Han D23/364
2018/0256770 A1 * 9/2018 Jang A61L 9/12
2019/0264948 A1 * 8/2019 Jung B01D 46/0047
2020/0188827 A1 * 6/2020 Yang B01D 53/0415
2021/0278097 A1 * 9/2021 Min F24F 13/20
2022/0011009 A1 * 1/2022 Lee F24F 13/28
2022/0011011 A1 * 1/2022 Yang F24F 13/082

* cited by examiner

FIG. 1

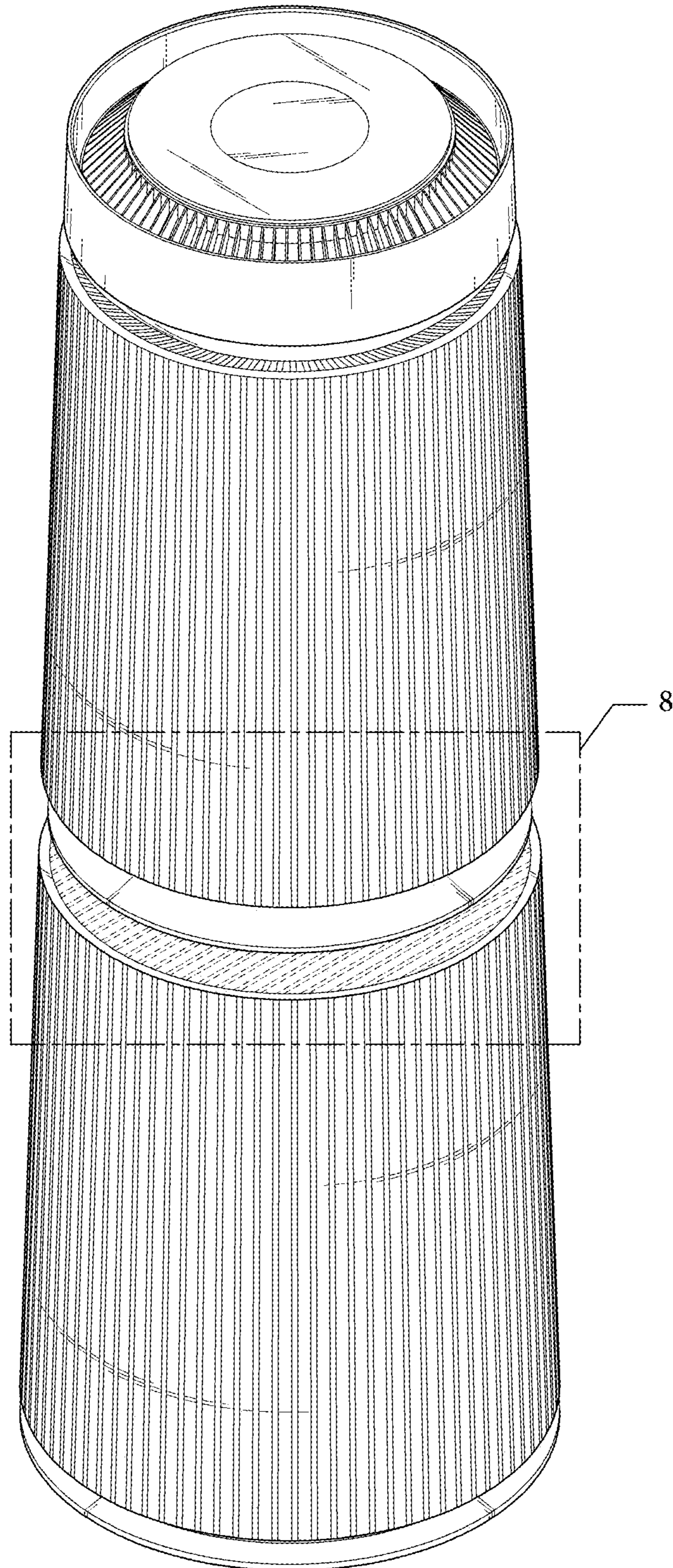


FIG. 2

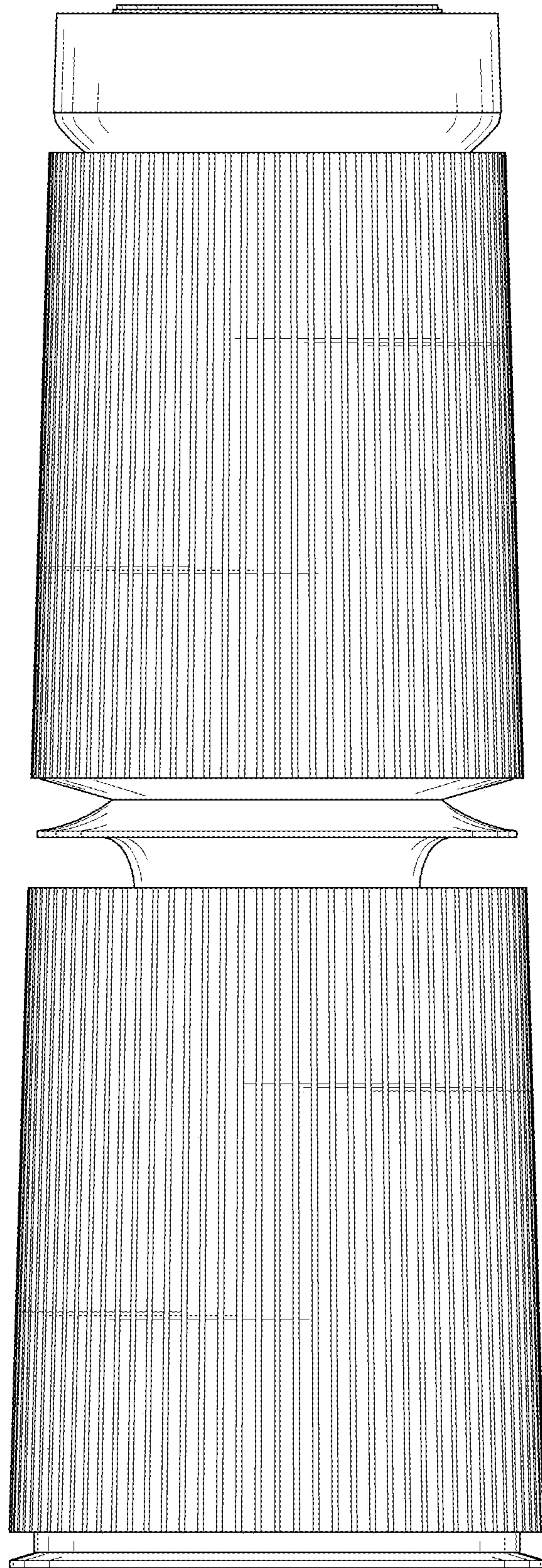


FIG. 3

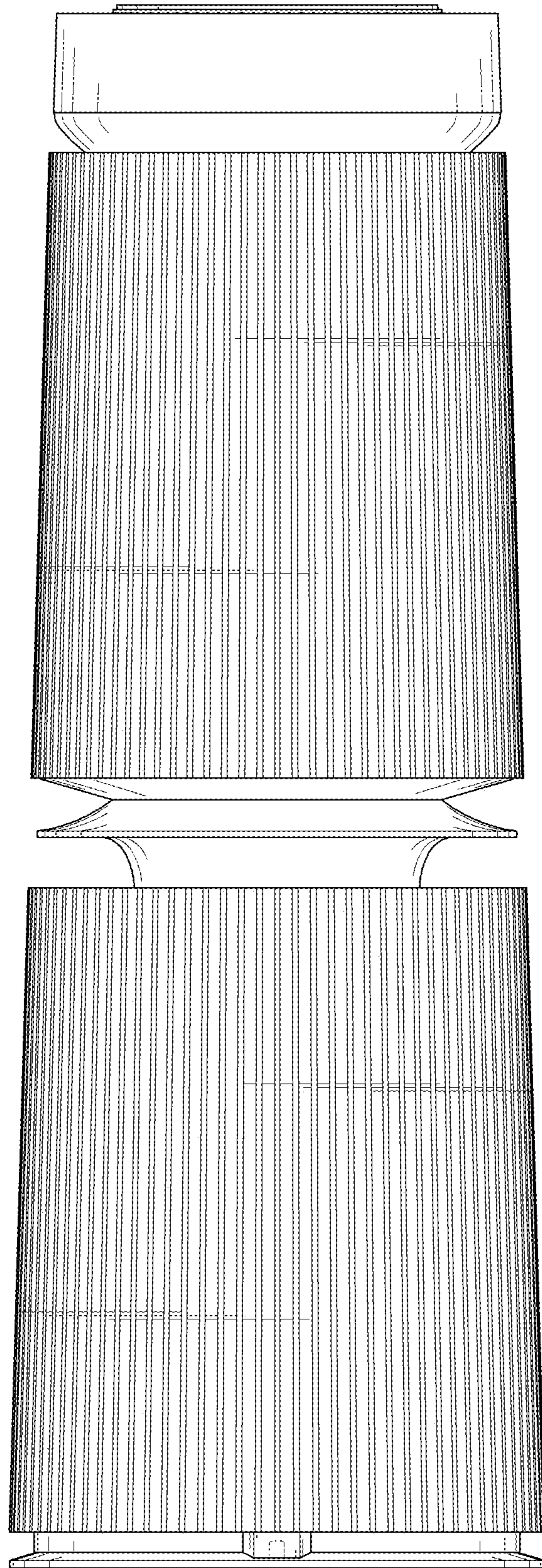


FIG. 4

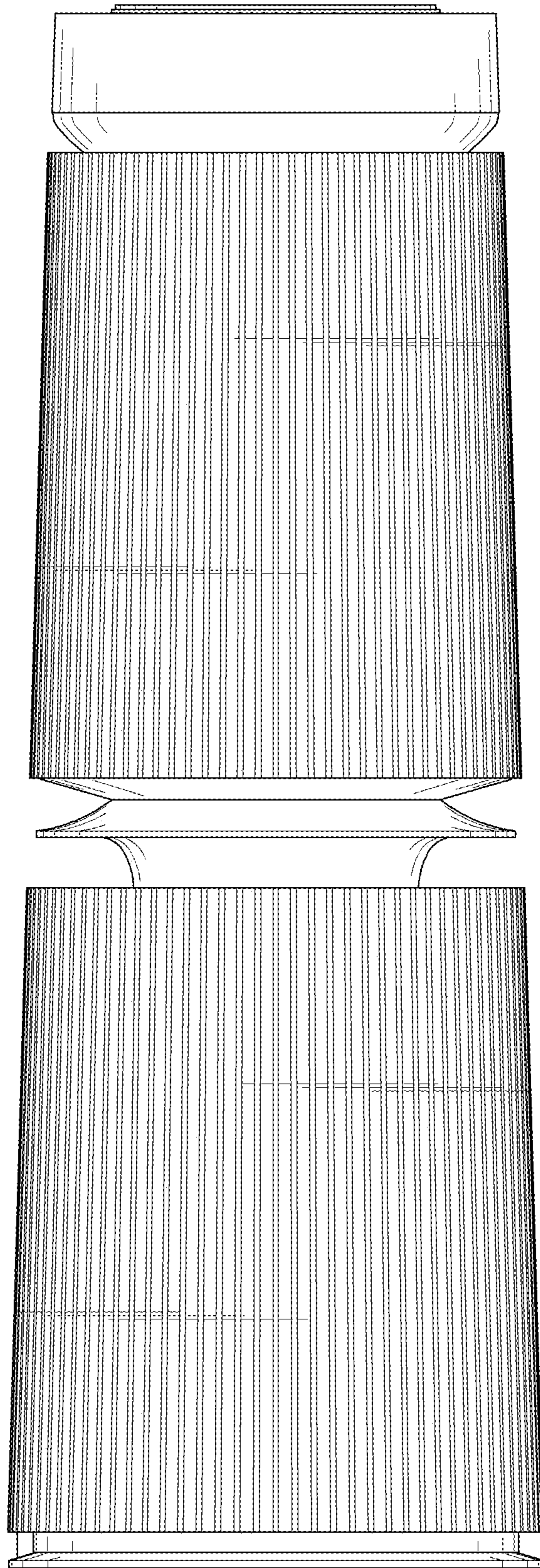


FIG. 5

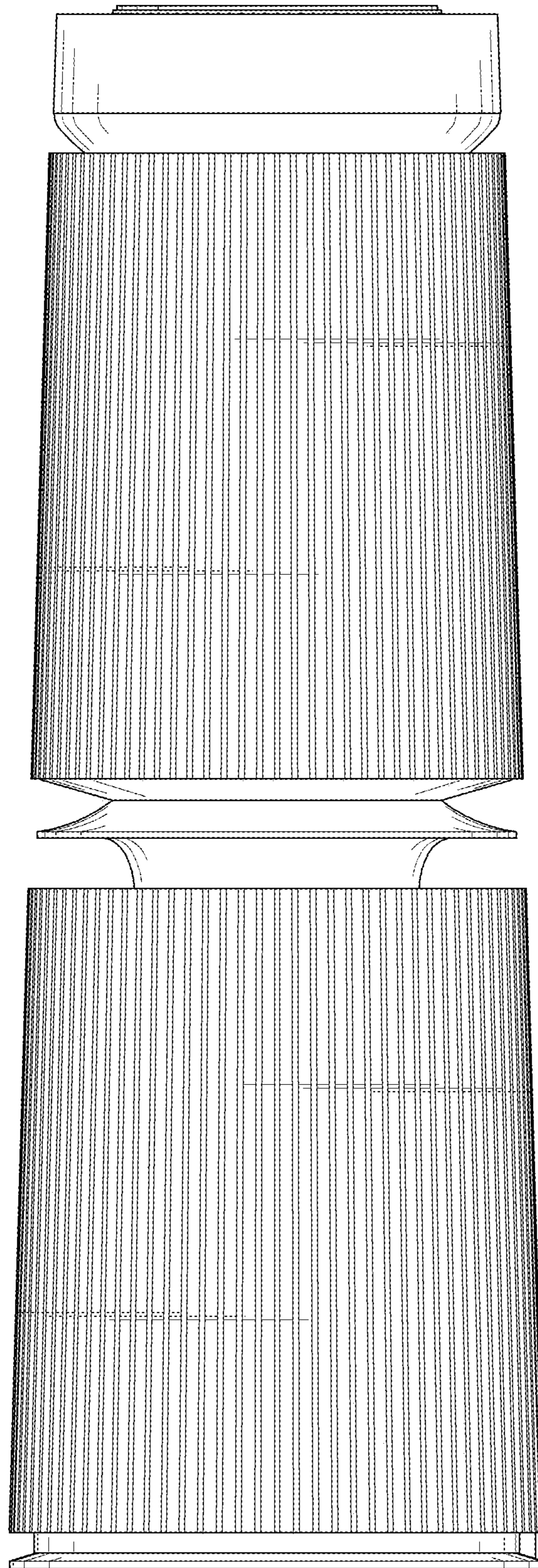


FIG. 6

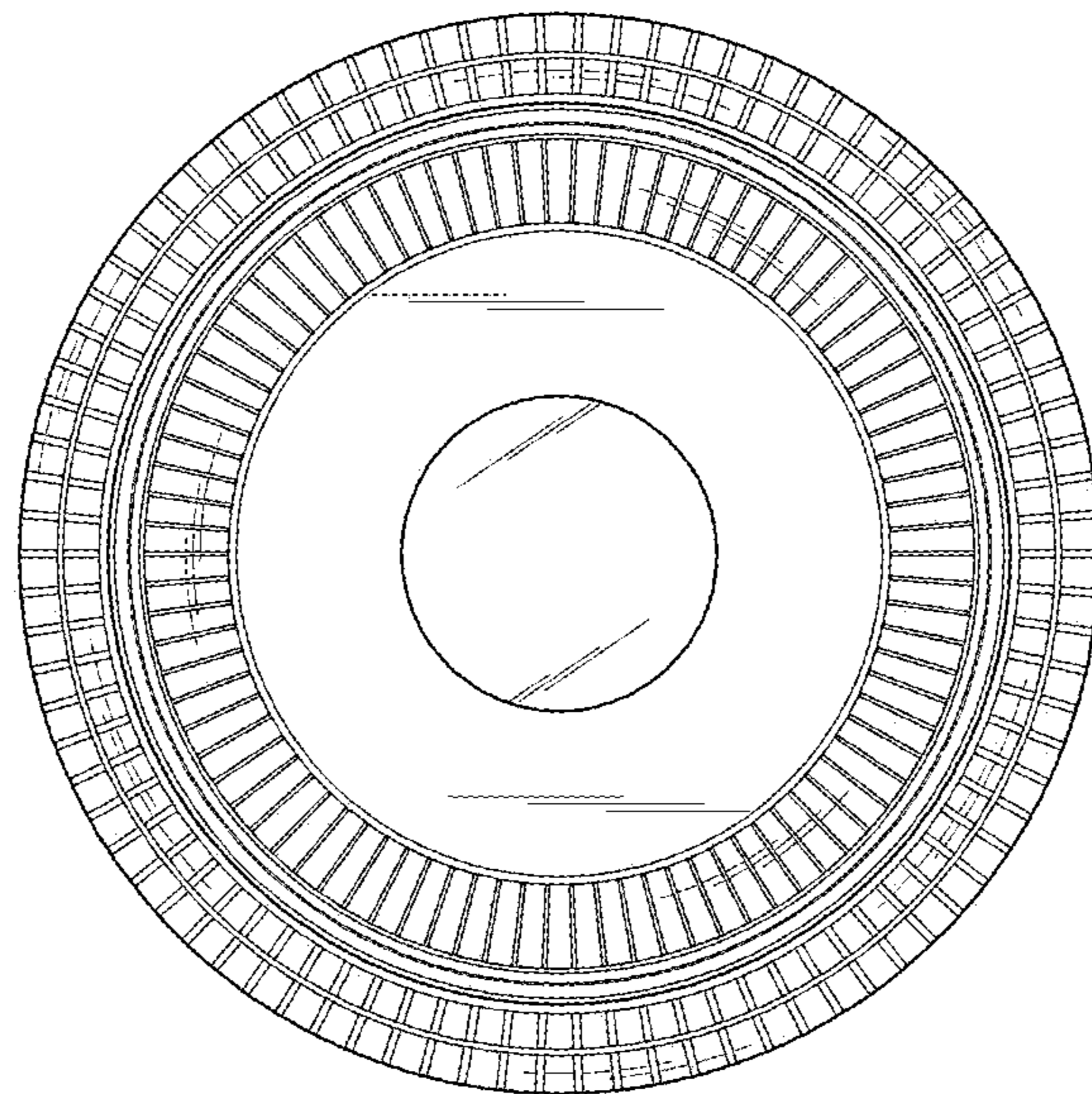


FIG. 7

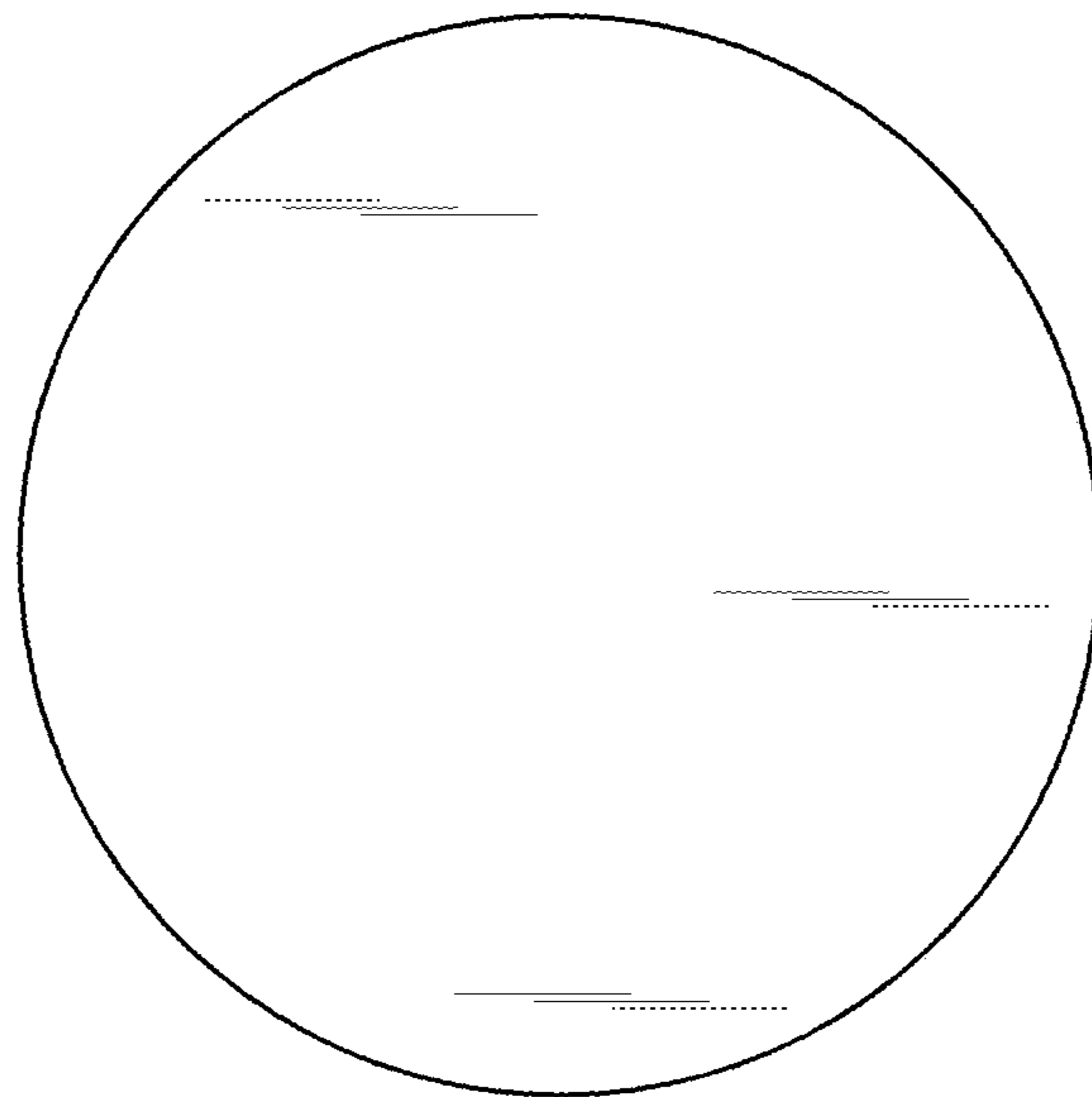


FIG. 8

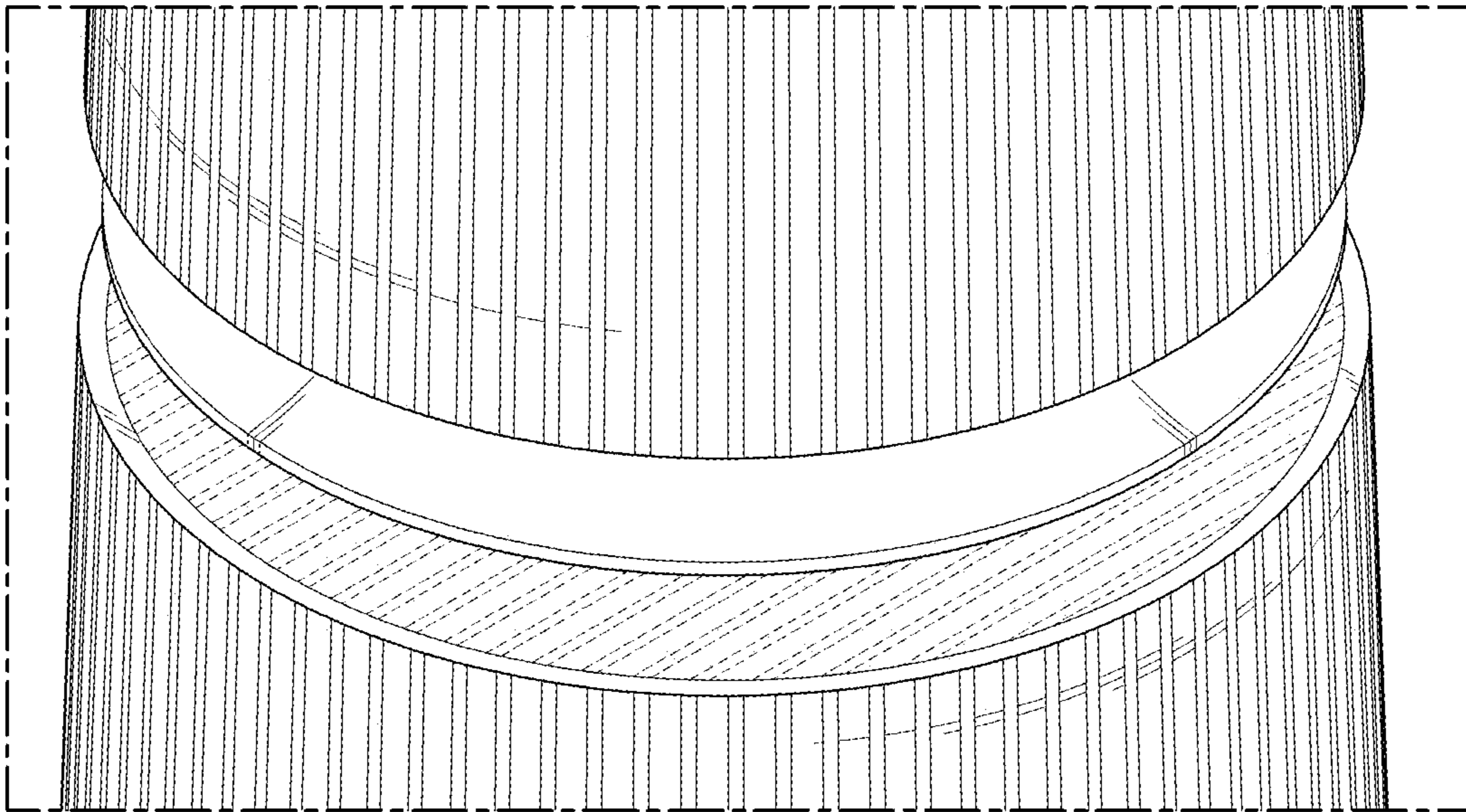


FIG. 9

