

US00D967377S

(12) **United States Design Patent**
Jo et al.

(10) **Patent No.:** **US D967,377 S**
(45) **Date of Patent:** **** Oct. 18, 2022**

(54) **AIR PURIFIER**

(71) Applicant: **Samsung Electronics Co., Ltd.**,
Suwon-si (KR)

(72) Inventors: **Cheolyeon Jo**, Suwon-si (KR); **Taehan Kim**, Suwon-si (KR); **Seungmok Lee**, Suwon-si (KR); **Minkyung Choi**, Suwon-si (KR); **Sodam Park**, Suwon-si (KR); **Yuna Park**, Suwon-si (KR); **Yeaseul You**, Suwon-si (KR)

(73) Assignee: **Samsung Electronics Co., Ltd.**,
Suwon-si (KR)

(**) Term: **15 Years**

(21) Appl. No.: **29/770,437**

(22) Filed: **Feb. 12, 2021**

(30) **Foreign Application Priority Data**

Oct. 8, 2020 (KR) 30-2020-0048348

(51) **LOC (13) Cl.** **23-04**

(52) **U.S. Cl.**
USPC **D23/364**

(58) **Field of Classification Search**
USPC D23/355-366, 352, 369, 332, 333, 335,
D23/336, 342, 351; 422/120, 122;
55/356, 473, 504; 96/97; 261/DIG. 17,
261/DIG. 65, DIG. 88, DIG. 31
CPC .. A61L 9/16; A61L 9/22; B01D 47/00; B01D
47/027; B01D 2221/02; B01D 2259/4508;
B03C 3/155; B03C 3/368; F24F 3/16;
F24F 13/20; F24F 13/28

See application file for complete search history.

(56) **References Cited**

U.S. PATENT DOCUMENTS

9,694,369 B2 * 7/2017 Engberg B03C 3/368
D877,305 S * 3/2020 Shin D23/364

D877,875 S * 3/2020 Shin D23/364
D878,531 S * 3/2020 Shin D23/364
D878,532 S * 3/2020 Shin D23/364
D884,134 S * 5/2020 Shin D23/364

(Continued)

FOREIGN PATENT DOCUMENTS

CN 201630482987 9/2016
CN 201930432153 8/2019

(Continued)

Primary Examiner — David G Muller

(74) *Attorney, Agent, or Firm* — NSIP Law

(57) **CLAIM**

We claim the ornamental design for an air purifier, as shown and described.

DESCRIPTION

FIG. 1 is a front perspective view of an air purifier showing our new design;

FIG. 2 is a front view thereof;

FIG. 3 is a rear view thereof;

FIG. 4 is a left-side view thereof;

FIG. 5 is a right-side view thereof;

FIG. 6 is a top view thereof;

FIG. 7 is a bottom view thereof;

FIG. 8 is an enlarged view of the encircled portion 8 in FIG. 1;

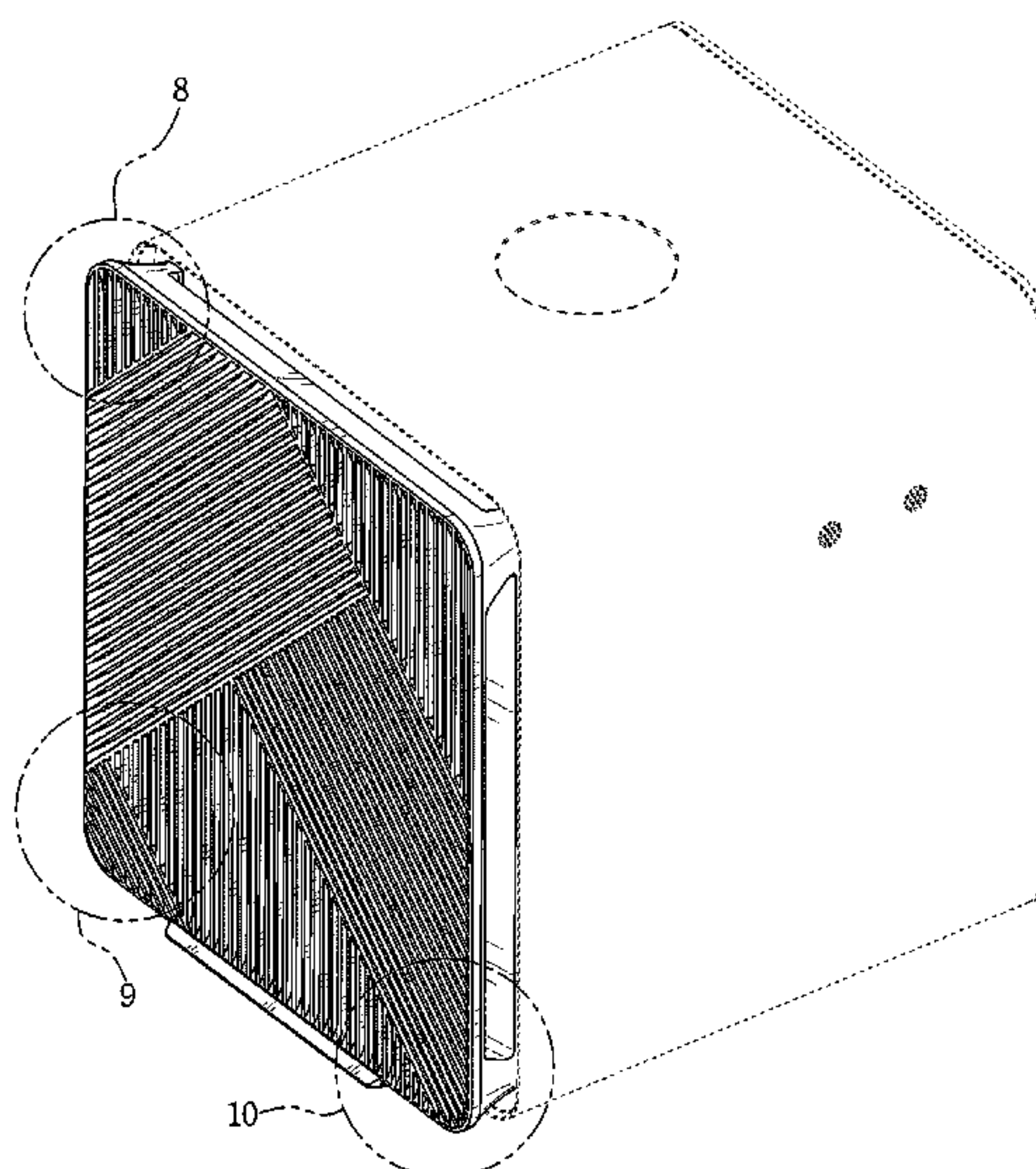
FIG. 9 is an enlarged view of the encircled portion 9 in FIG. 1; and,

FIG. 10 is an enlarged view of the encircled portion 10 in FIG. 1.

The evenly-dashed broken lines in the figures depict portions of the air purifier which form no part of the claimed design.

The dot-dot-dash broken lines encircling portions of the claimed design that are illustrated in enlargements form no part of the claimed design.

1 Claim, 10 Drawing Sheets



(56)

References Cited

U.S. PATENT DOCUMENTS

11,141,688 B2 * 10/2021 Hur F24F 11/58
D944,958 S * 3/2022 Yan D23/364
D947,342 S * 3/2022 Xu D23/364
D948,017 S * 4/2022 Chen D23/364
D948,689 S * 4/2022 Shen F24F 11/30
D23/356

FOREIGN PATENT DOCUMENTS

KR 30-2019-0030313 3/2020
KR 30-2019-0044673 4/2020
KR 30-2019-0058697 6/2020

* cited by examiner

FIG. 1

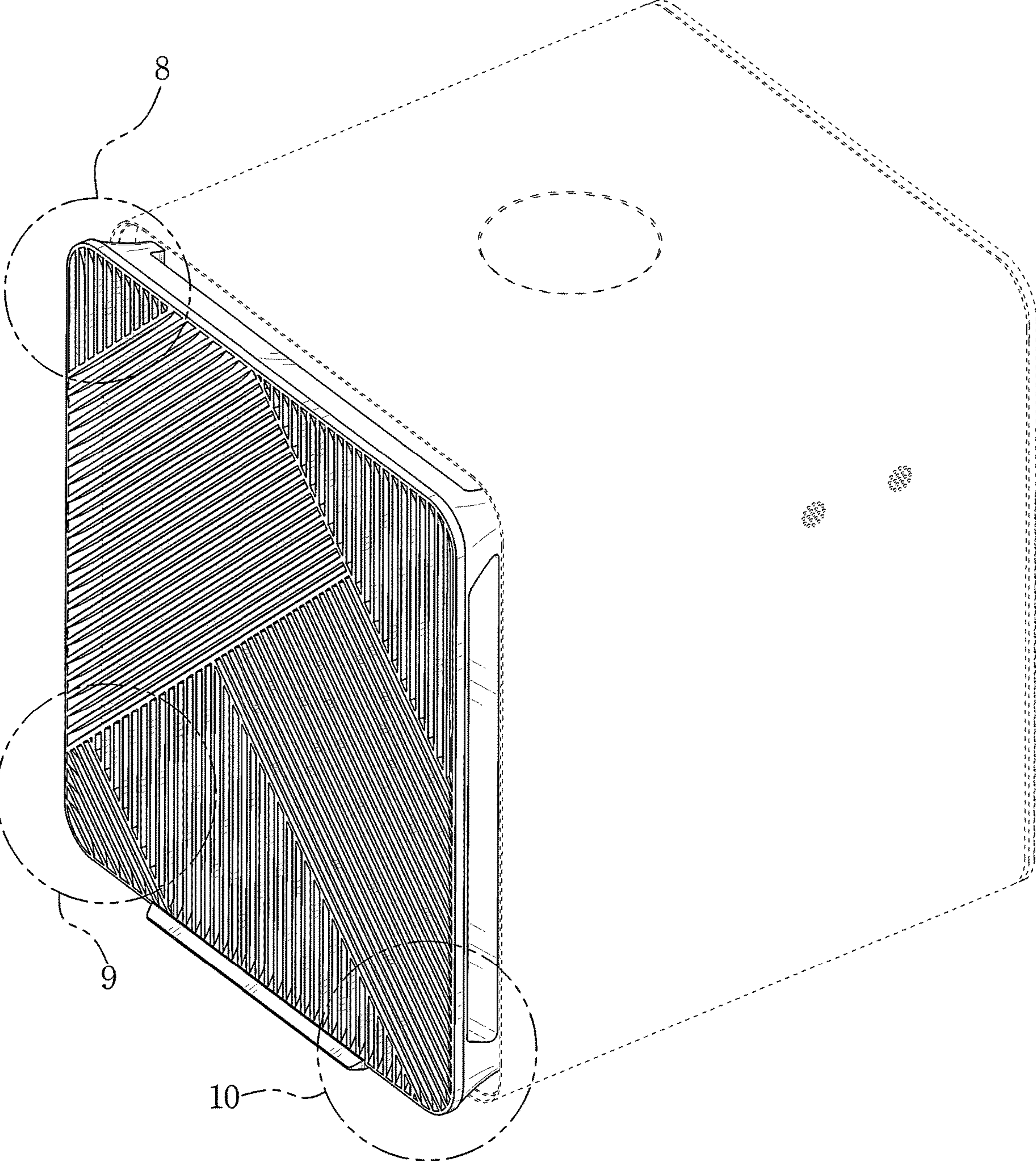


FIG. 2

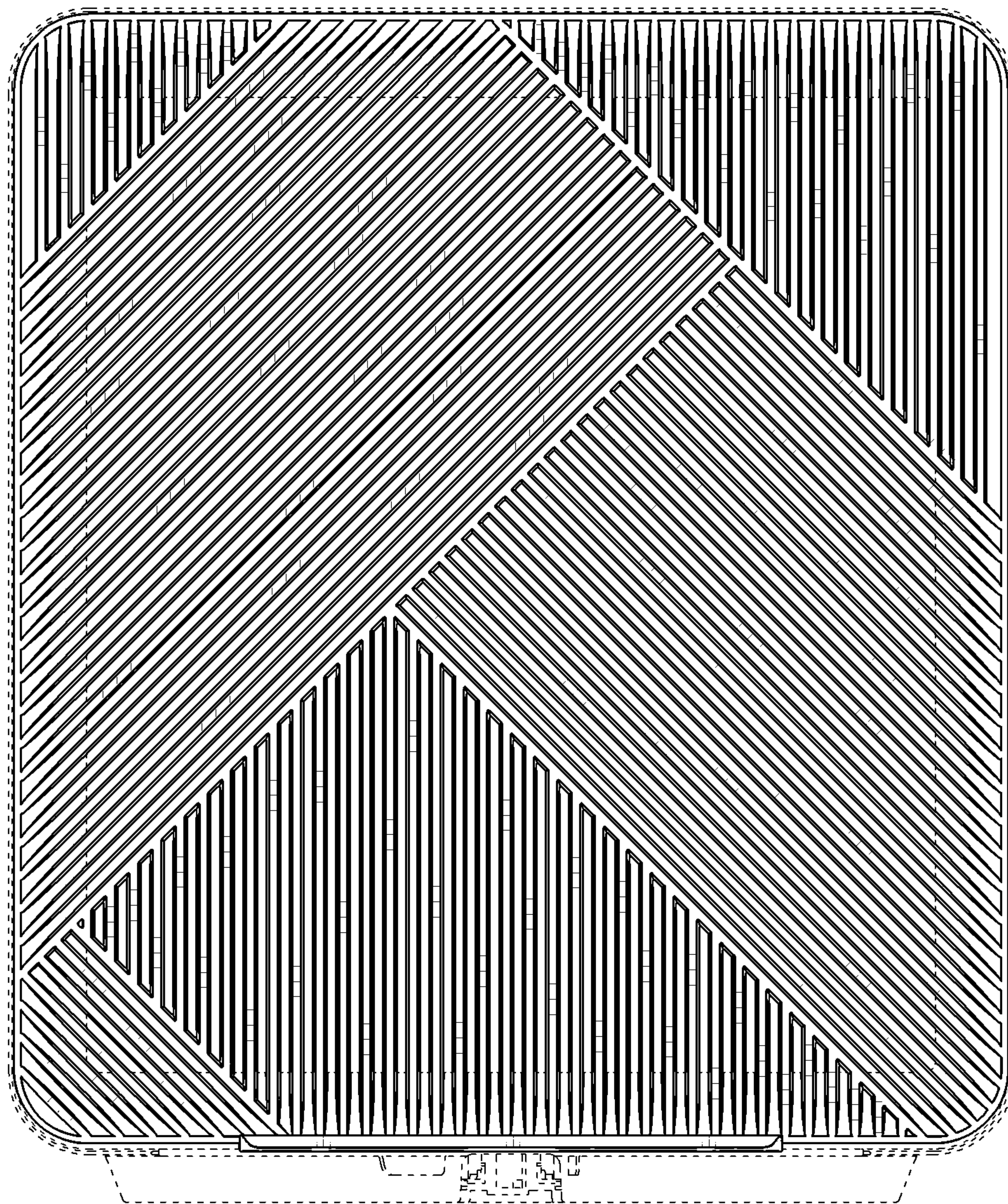


FIG. 3

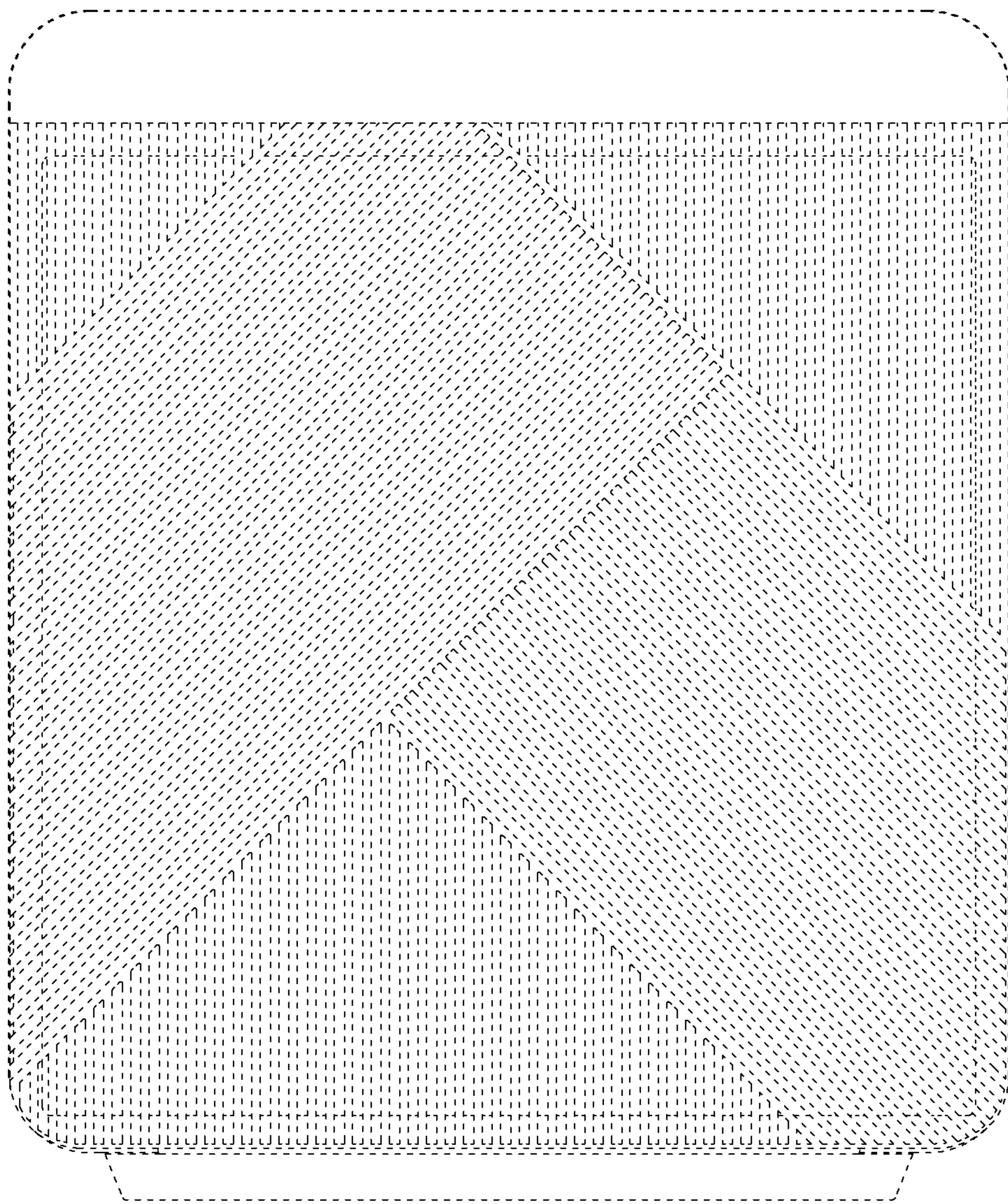


FIG. 4

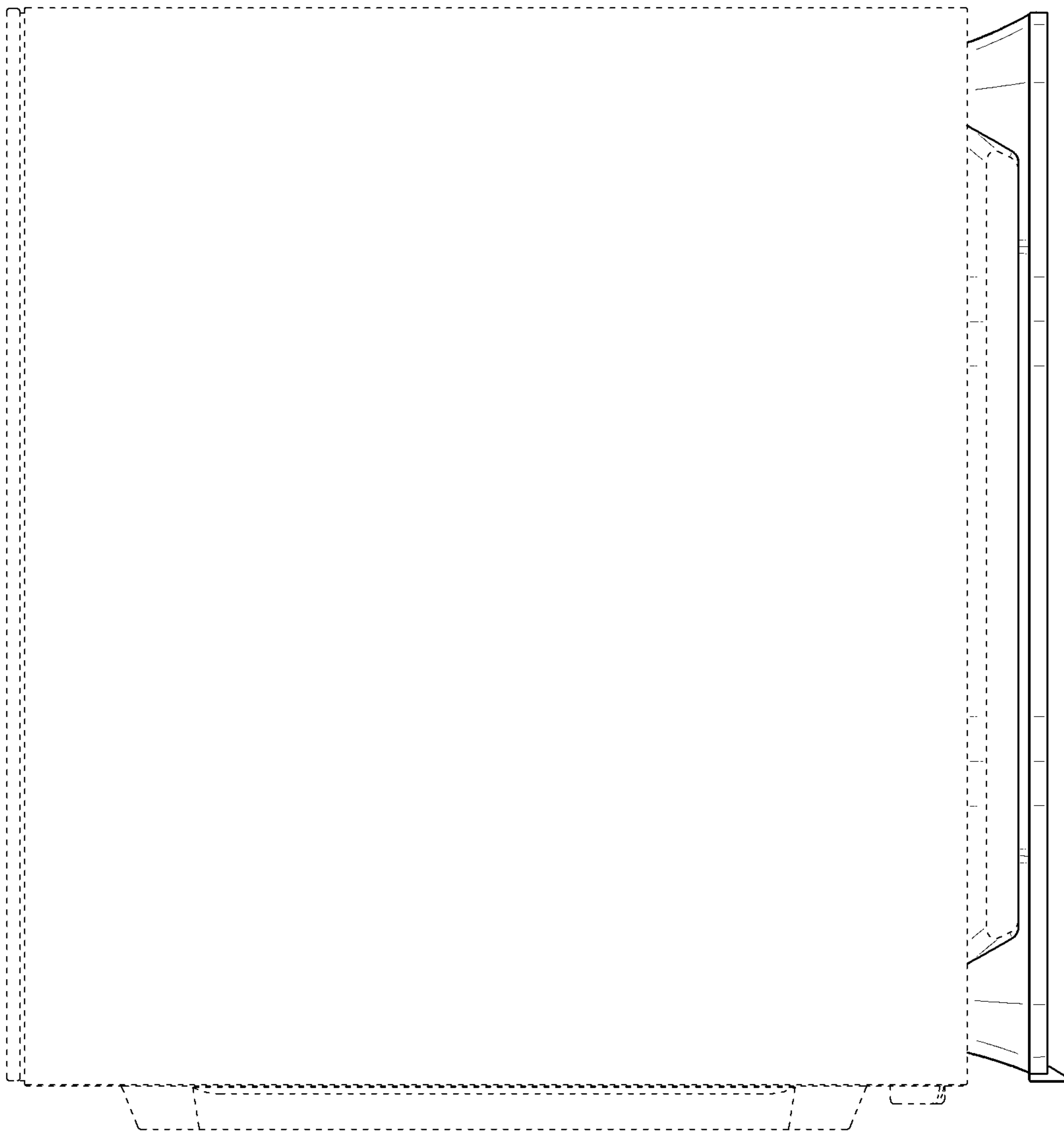


FIG. 5

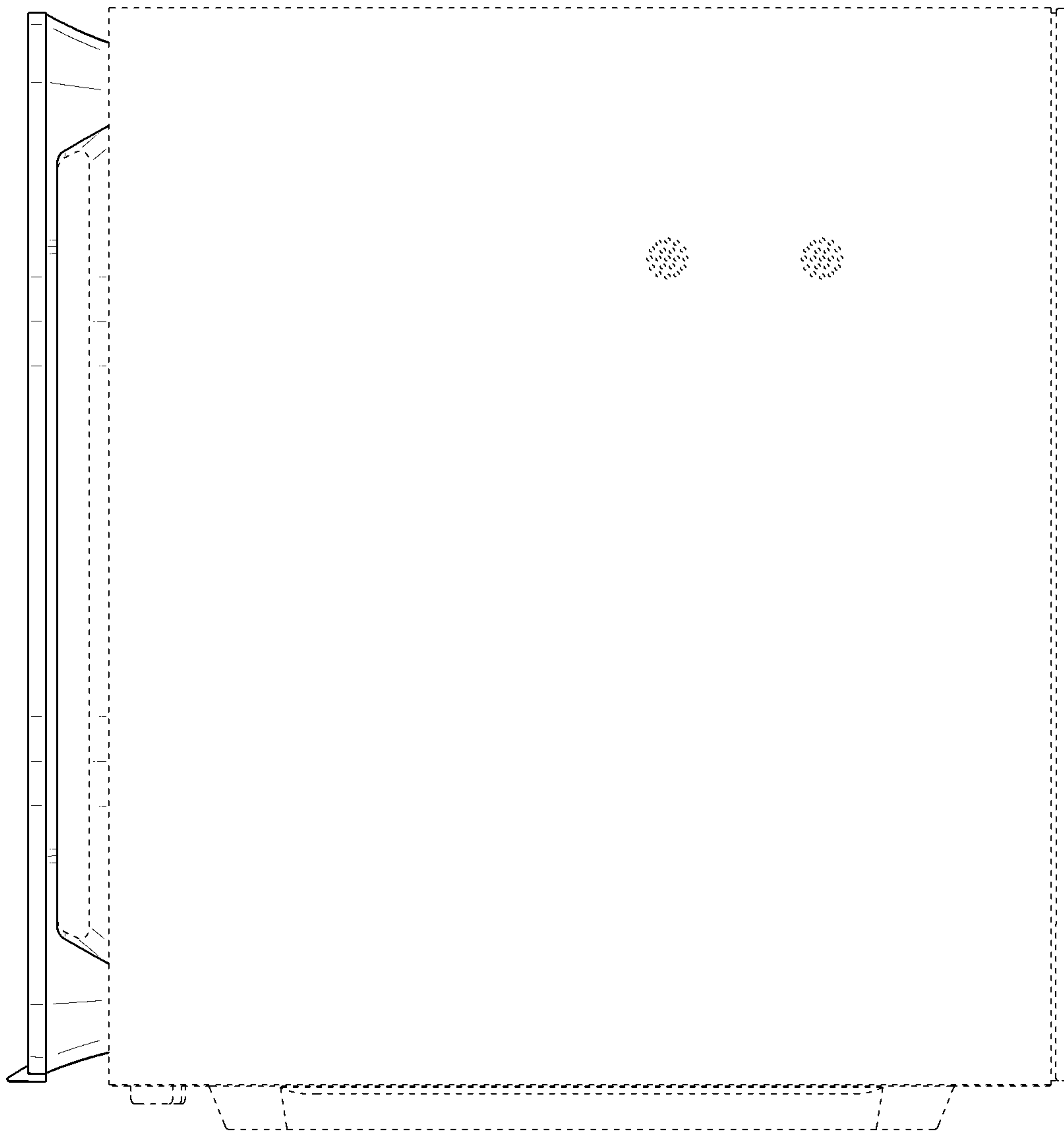


FIG. 6

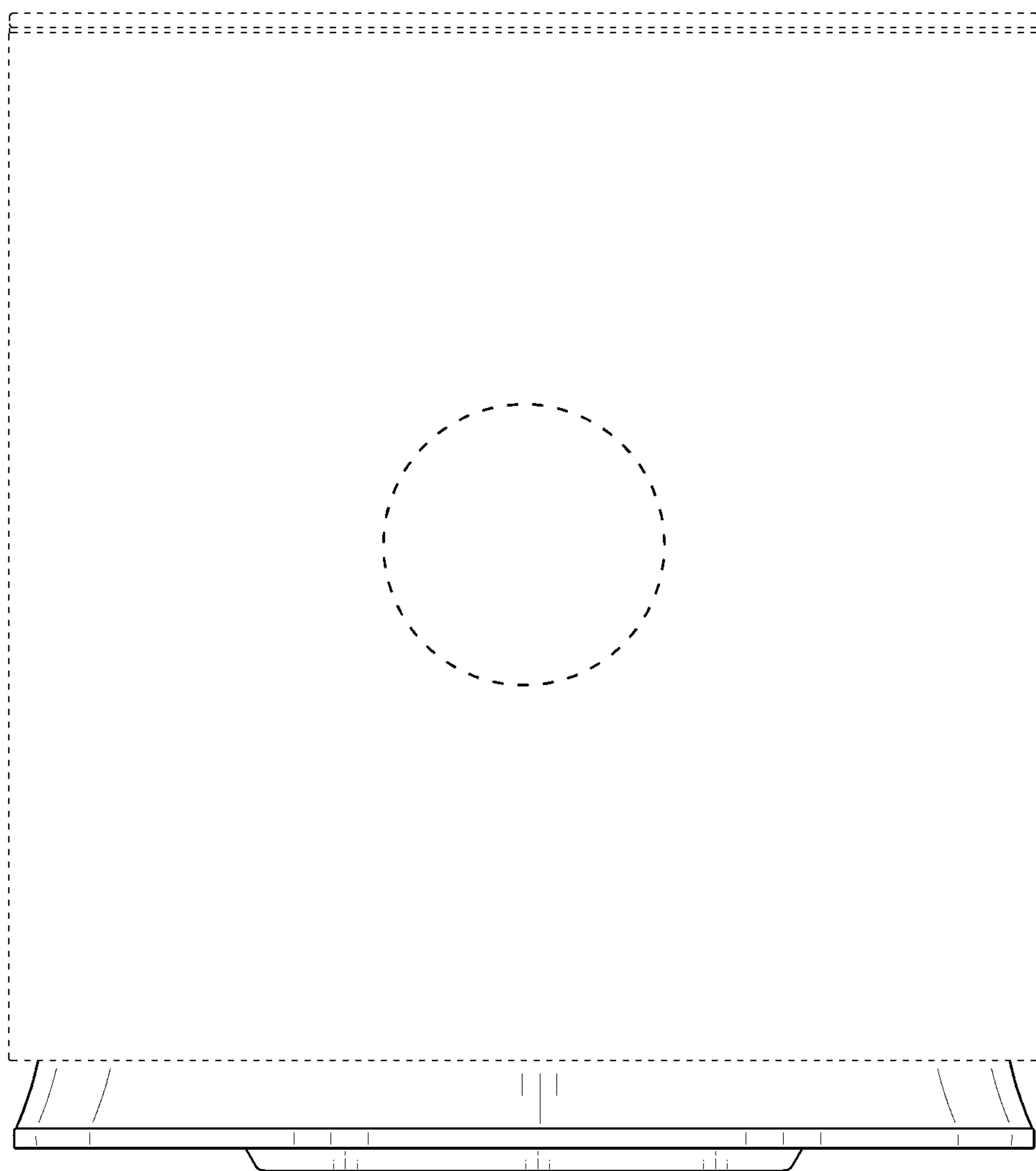


FIG. 7

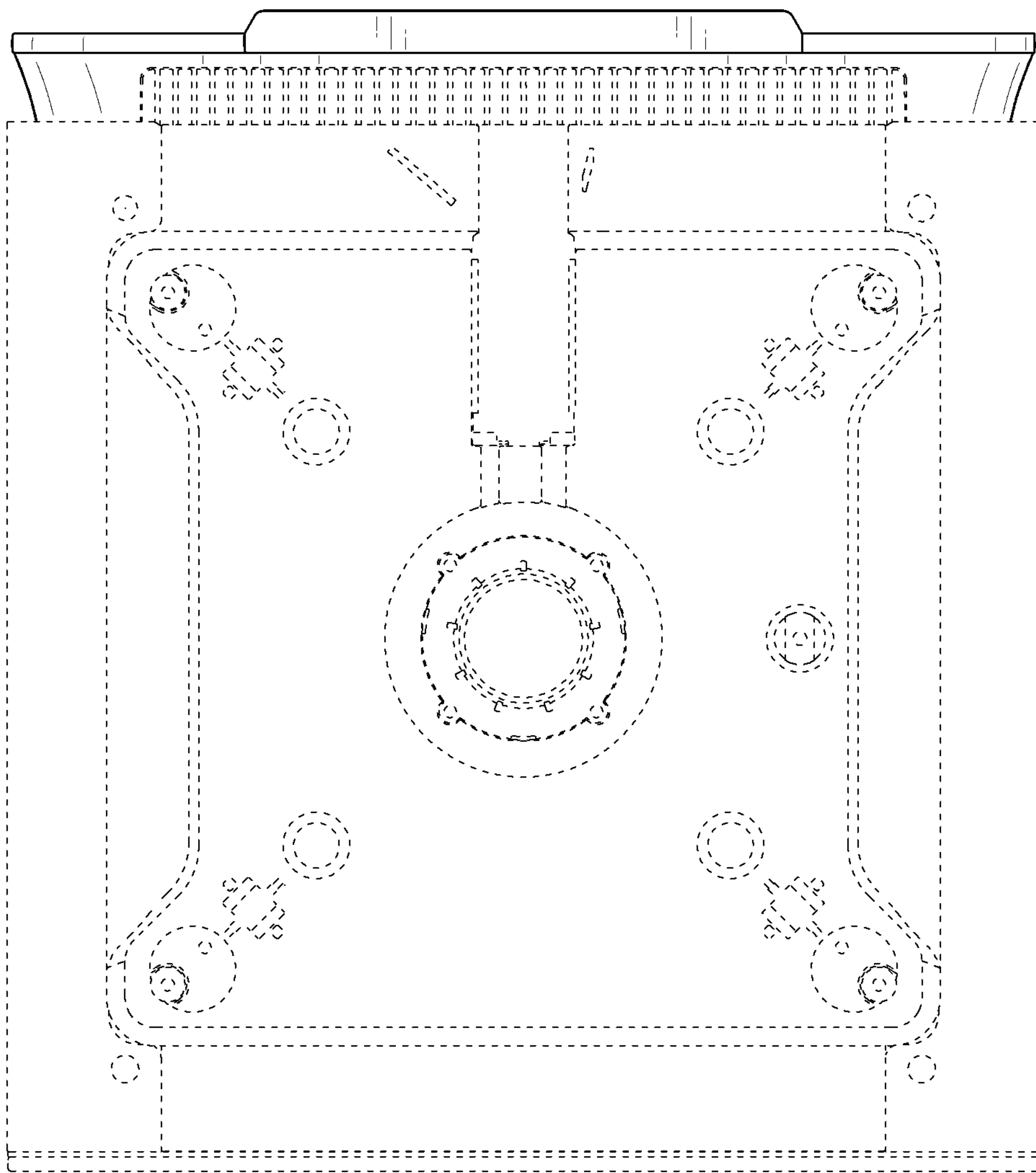


FIG. 8

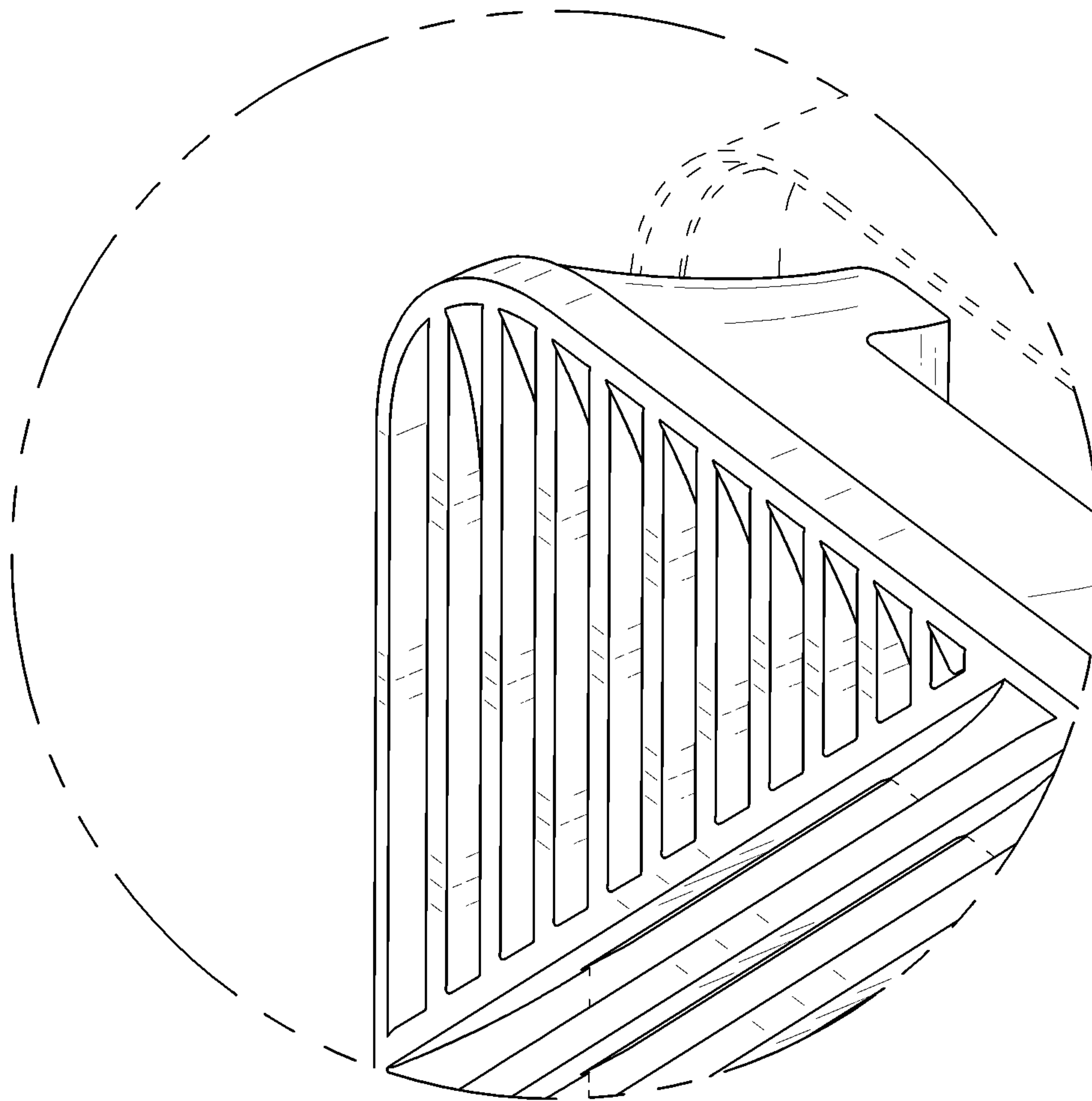


FIG. 9

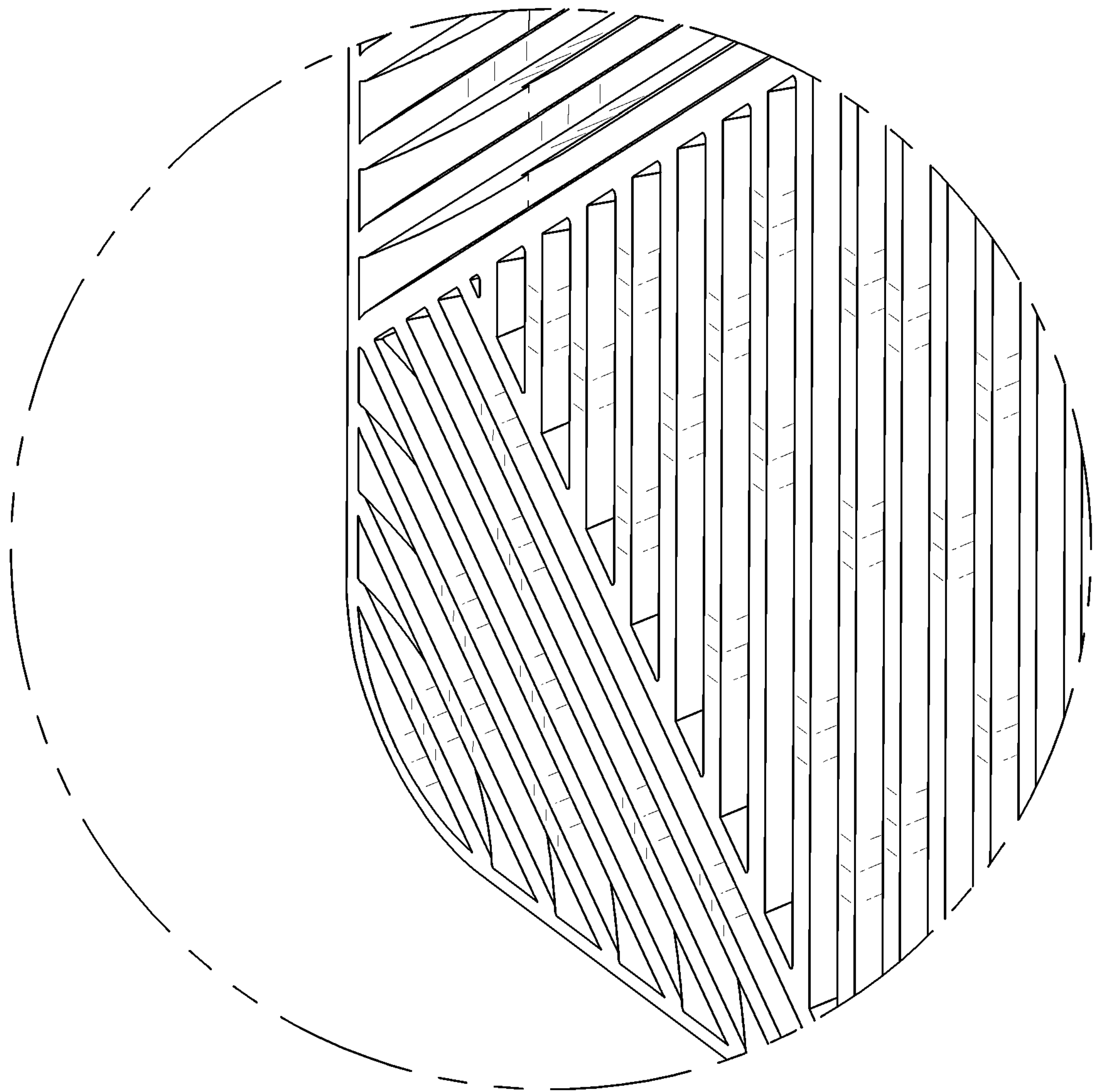


FIG. 10

