



US00D967376S

(12) **United States Design Patent** (10) **Patent No.:** **US D967,376 S**
Han et al. (45) **Date of Patent:** **** *Oct. 18, 2022**

(54) **AIR PURIFIER**

(74) *Attorney, Agent, or Firm* — Birch, Stewart, Kolasch & Birch, LLP

(71) Applicant: **LG ELECTRONICS INC.**, Seoul (KR)

(57) **CLAIM**

(72) Inventors: **Sungkyong Han**, Seoul (KR); **Sehwan Bae**, Seoul (KR); **Myungwhoon Lee**, Seoul (KR); **Kangeui Cho**, Seoul (KR); **Jiug Ha**, Seoul (KR)

We claim the ornamental design for an air purifier, as shown and described.

(73) Assignee: **LG ELECTRONICS INC.**, Seoul (KR)

DESCRIPTION

(*) Notice: This patent is subject to a terminal disclaimer.

FIG. 1 is a perspective view of an air purifier showing the new design;
FIG. 2 is a front elevation view thereof;
FIG. 3 is a rear elevation view thereof;
FIG. 4 is a left-side elevation view thereof;
FIG. 5 is a right-side elevation view thereof;
FIG. 6 is a top plan view thereof;
FIG. 7 is a bottom plan view thereof;
FIG. 8 is a perspective view thereof showing the circulator part at an angle;
FIG. 9 is a front elevation view thereof;
FIG. 10 is a rear elevation view thereof;
FIG. 11 is a left-side elevation view thereof;
FIG. 12 is a right-side elevation view thereof;
FIG. 13 is a top plan view thereof;
FIG. 14 is a bottom plan view thereof;
FIG. 15 is a partial perspective view thereof showing the air purifier in a state of use;
FIG. 16 is a perspective view thereof showing the circulator part at another angle;
FIG. 17 is a front elevation view thereof;
FIG. 18 is a rear elevation view thereof;
FIG. 19 is a left-side elevation view thereof;
FIG. 20 is a right-side elevation view thereof;
FIG. 21 is a top plan view thereof; and
FIG. 22 is a bottom plan view thereof.

(**) Term: **15 Years**

(21) Appl. No.: **29/721,868**

(22) Filed: **Jan. 23, 2020**

(30) **Foreign Application Priority Data**

Jul. 25, 2019 (KR) 30-2019-0035855

(51) **LOC (13) Cl.** **23-04**

(52) **U.S. Cl.**
USPC **D23/364**

(58) **Field of Classification Search**
USPC .. D7/536, 538, 553.8, 554.2, 602-604, 612;
D9/428, 545, 738, 763-764, 767;
(Continued)

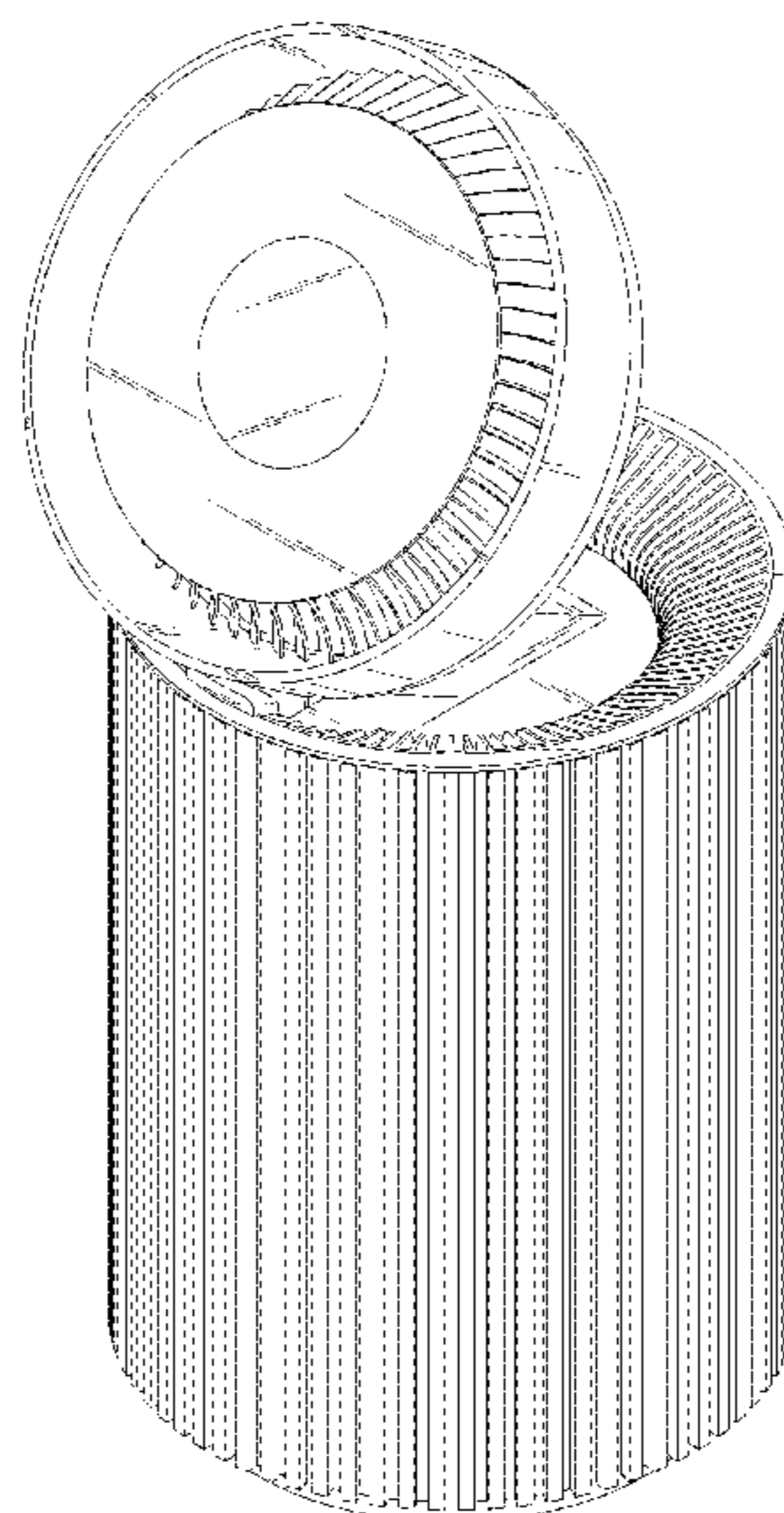
(56) **References Cited**

U.S. PATENT DOCUMENTS

D818,095 S * 5/2018 Cho D23/364
D818,097 S * 5/2018 Cho D23/364
(Continued)

Primary Examiner — Karen S Acker
Assistant Examiner — Jonathan E Fiencke

1 Claim, 22 Drawing Sheets



(58) **Field of Classification Search**

USPC D23/332-335, 337, 342, 352, 355-366,
D23/369-370; D5/1-3, 56-63
CPC .. A61L 9/00; A61L 9/22; B01D 47/00; B01D
47/027; B01D 2259/4508; B03C 3/155;
B03C 3/368; F24F 3/16; F24F 13/20;
F24F 13/28

See application file for complete search history.

(56) **References Cited**

U.S. PATENT DOCUMENTS

D835,766	S	*	12/2018	Chen	D23/364
D838,355	S	*	1/2019	Cho	D23/365
D882,056	S	*	4/2020	Baillie	D23/364
D886,272	S	*	6/2020	Yang	D23/364
D886,975	S	*	6/2020	Yang	D23/364
D888,923	S	*	6/2020	Zhong	D23/364
D905,220	S	*	12/2020	Farone	D23/364
D906,501	S	*	12/2020	Lim	D23/364
D935,590	S	*	11/2021	Xu	D23/364
D938,565	S	*	12/2021	Yang	D23/364
D938,566	S	*	12/2021	Yang	D23/364
D941,980	S	*	1/2022	Zhang	D23/364
D942,604	S	*	2/2022	Yang	D23/364
D943,072	S	*	2/2022	Hu	D23/356
D944,959	S	*	3/2022	Wang	D23/364
D947,341	S	*	3/2022	Xia	D23/364
D948,016	S	*	4/2022	Yoon	D23/364
D950,034	S	*	4/2022	Peng	D23/364
D951,412	S	*	5/2022	Han	D23/364
D952,817	S	*	5/2022	Han	D23/364
D954,241	S	*	6/2022	Han	D23/364
D957,607	S	*	7/2022	Han	D23/364
D957,609	S	*	7/2022	Han	D23/364

* cited by examiner

FIG. 1

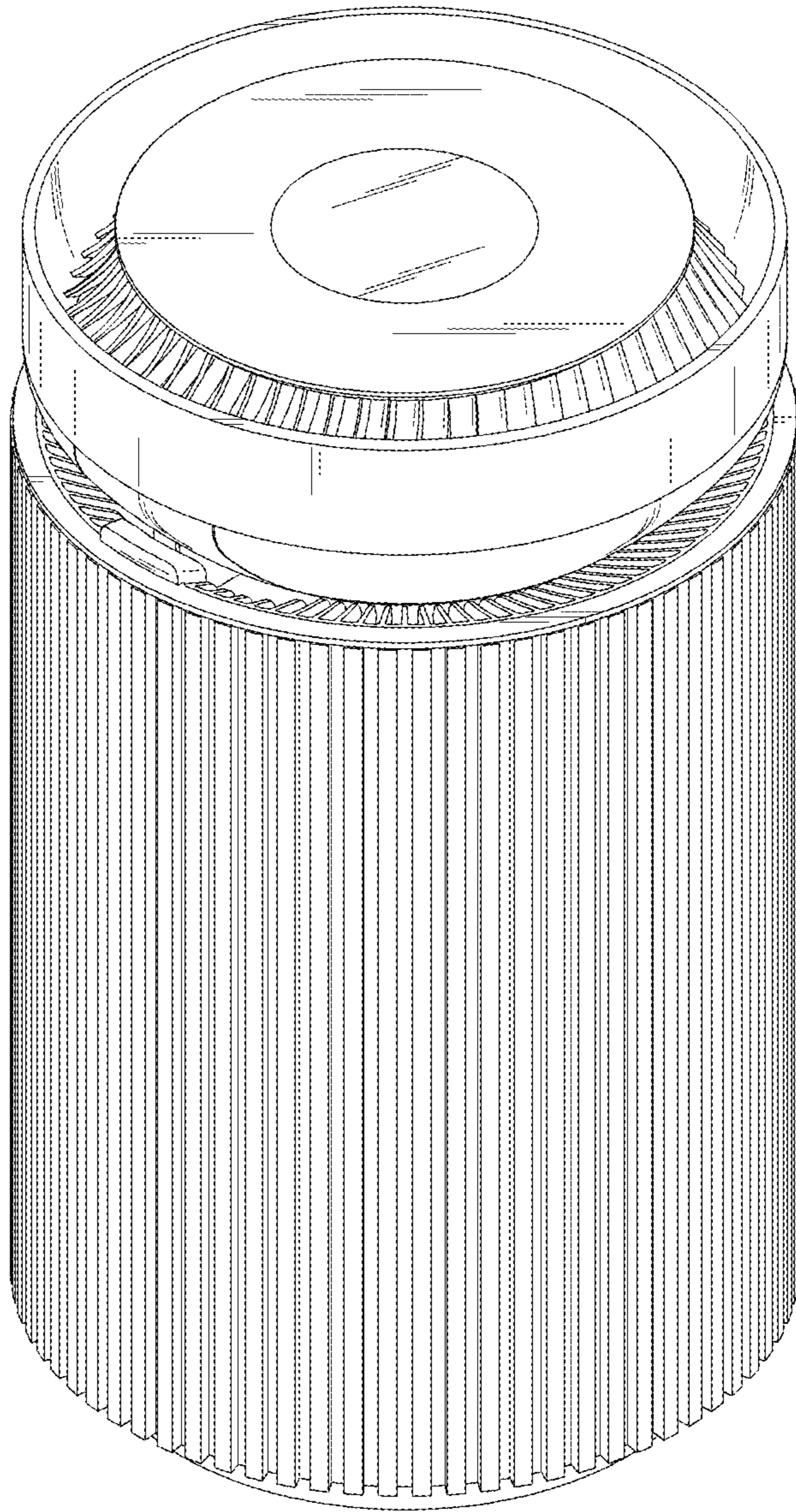


FIG. 2

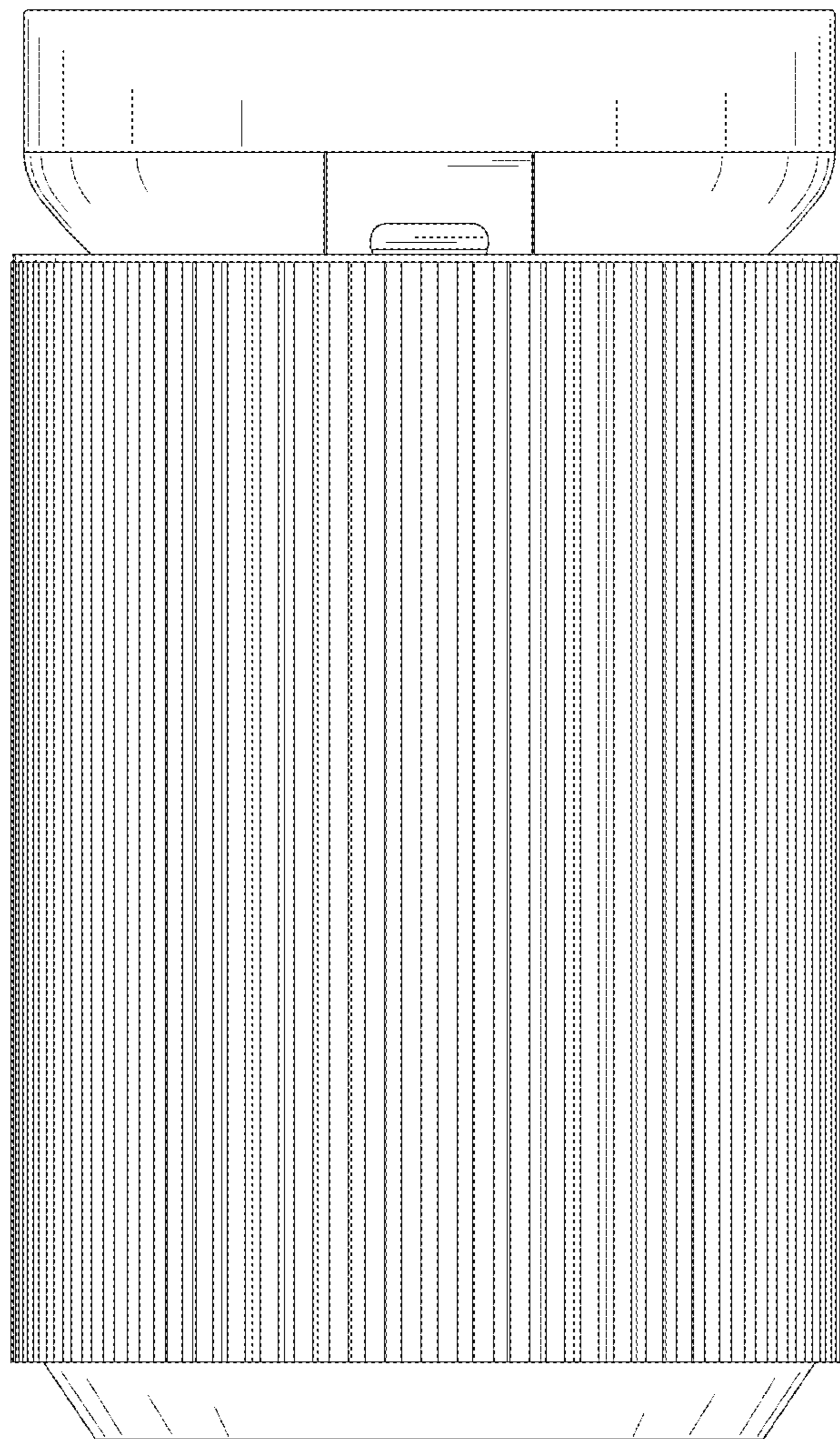


FIG. 3

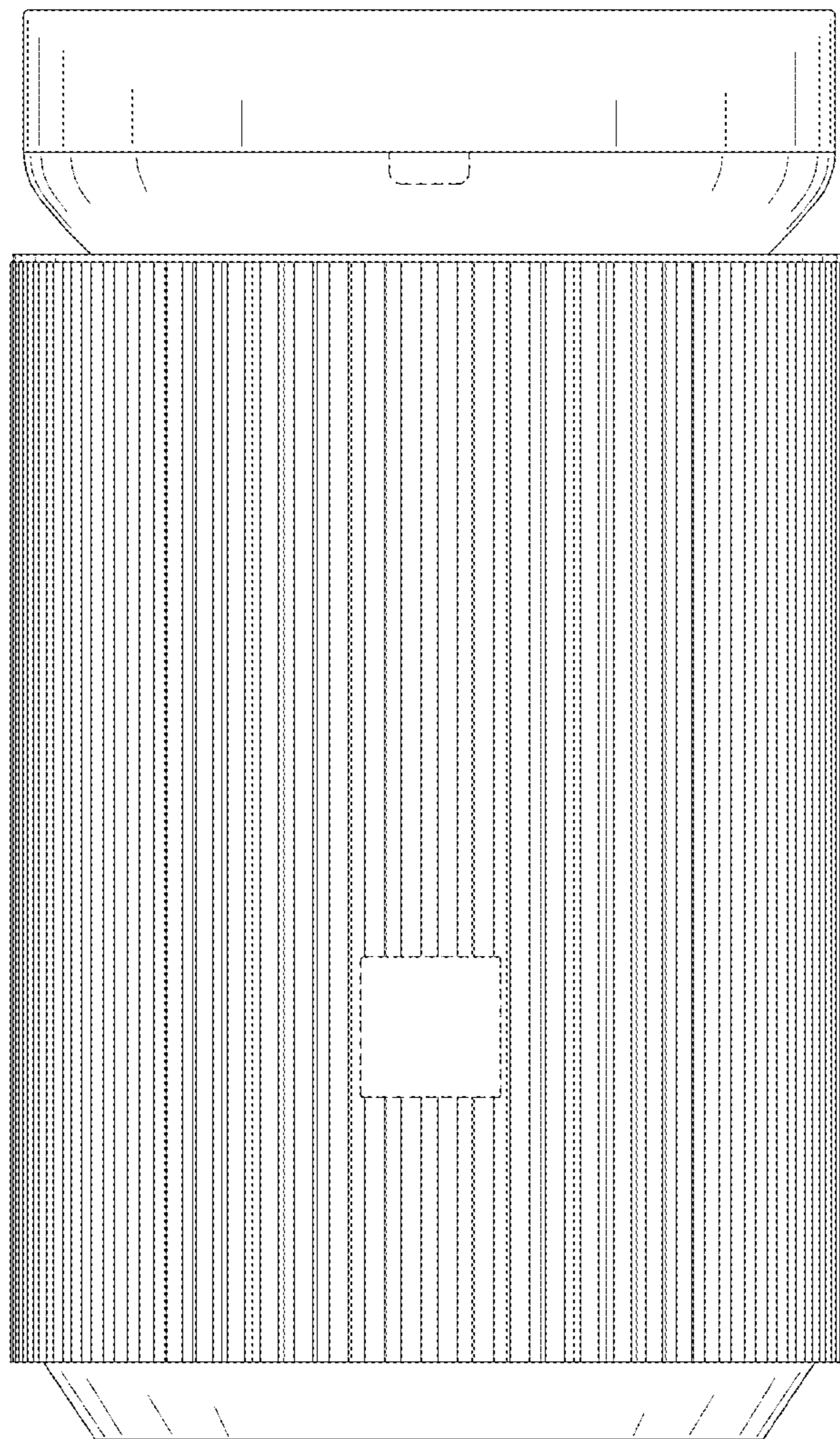


FIG. 4

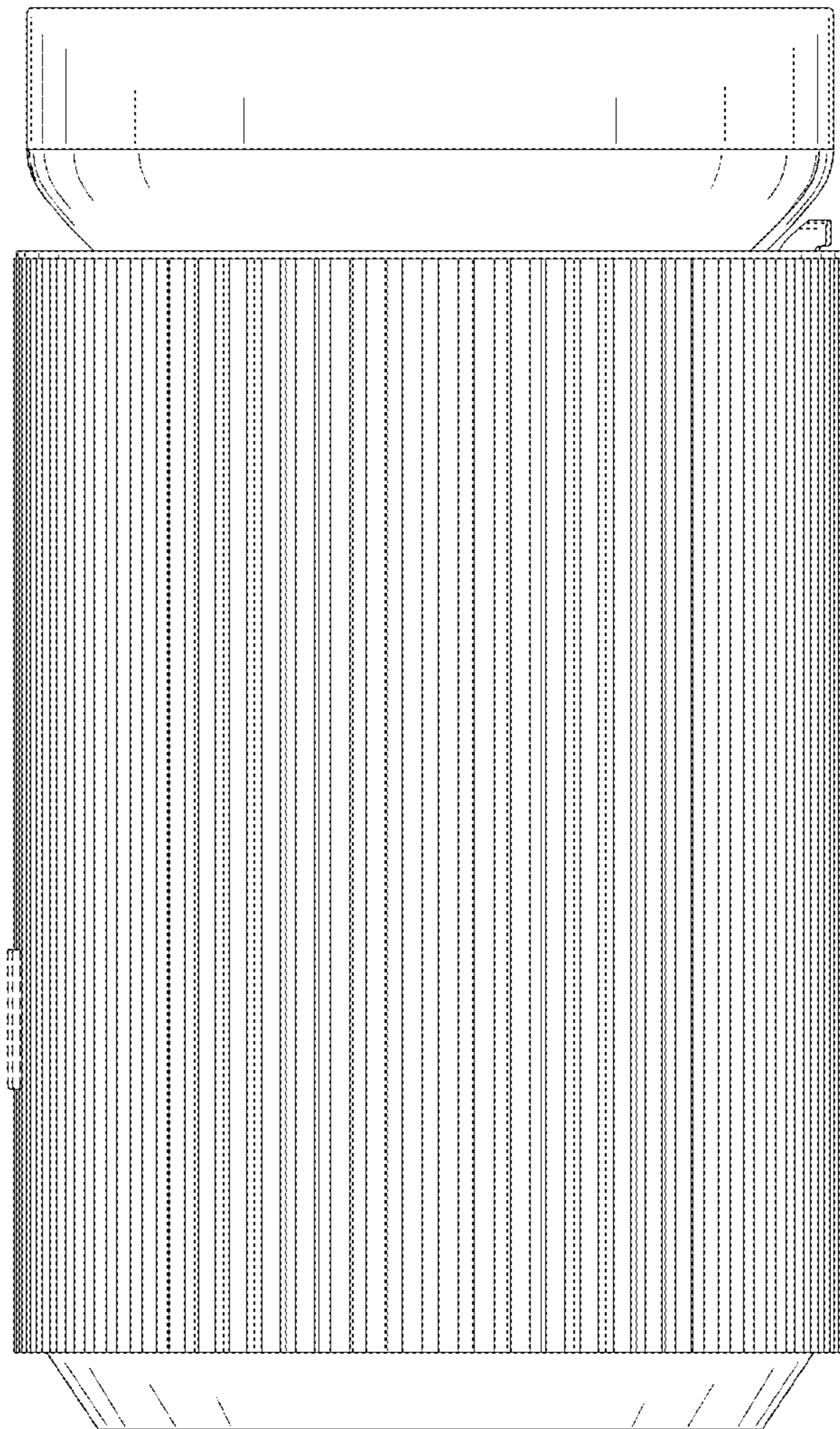


FIG. 5

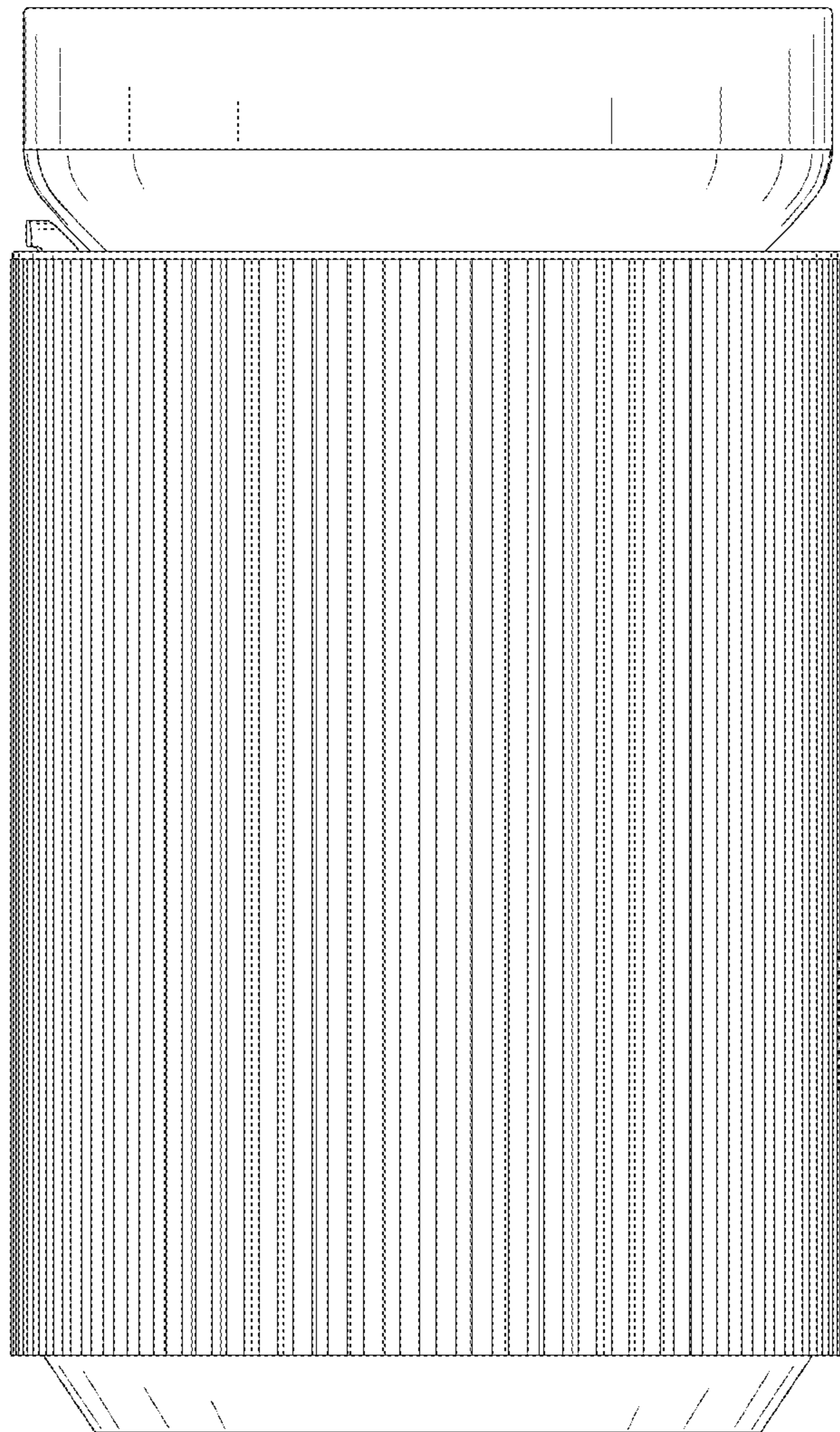


FIG. 6

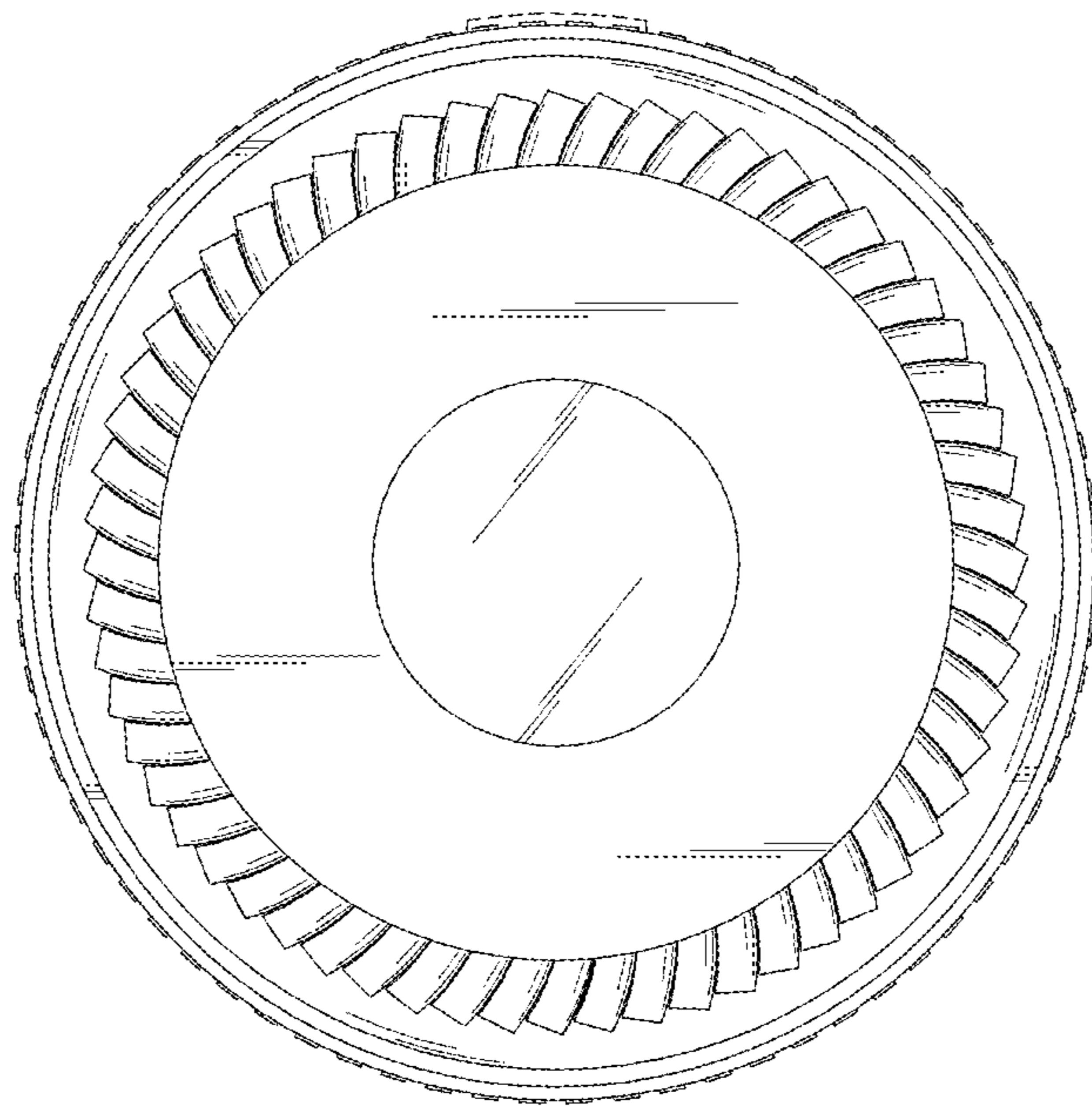


FIG. 7

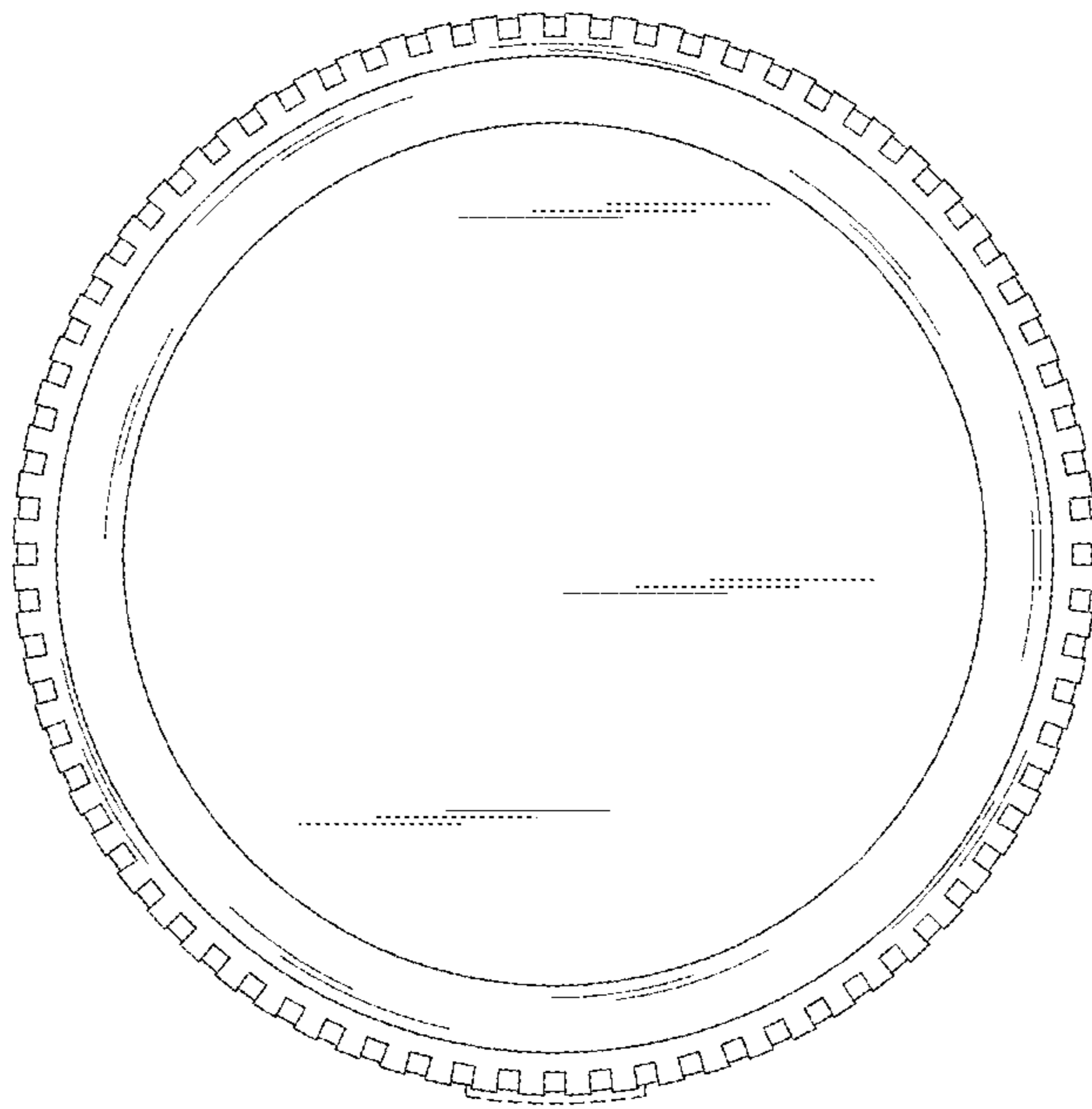


FIG. 8

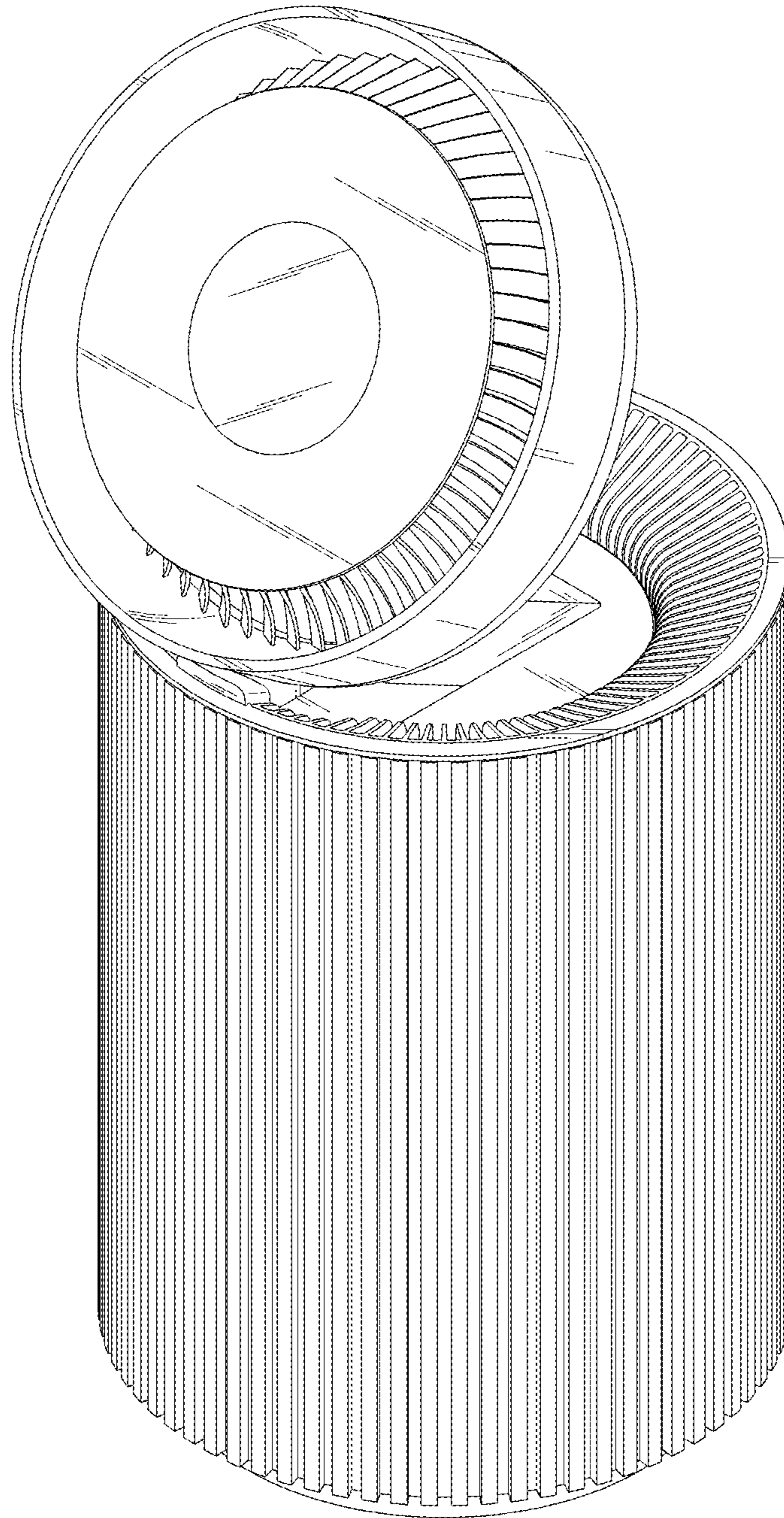


FIG. 9

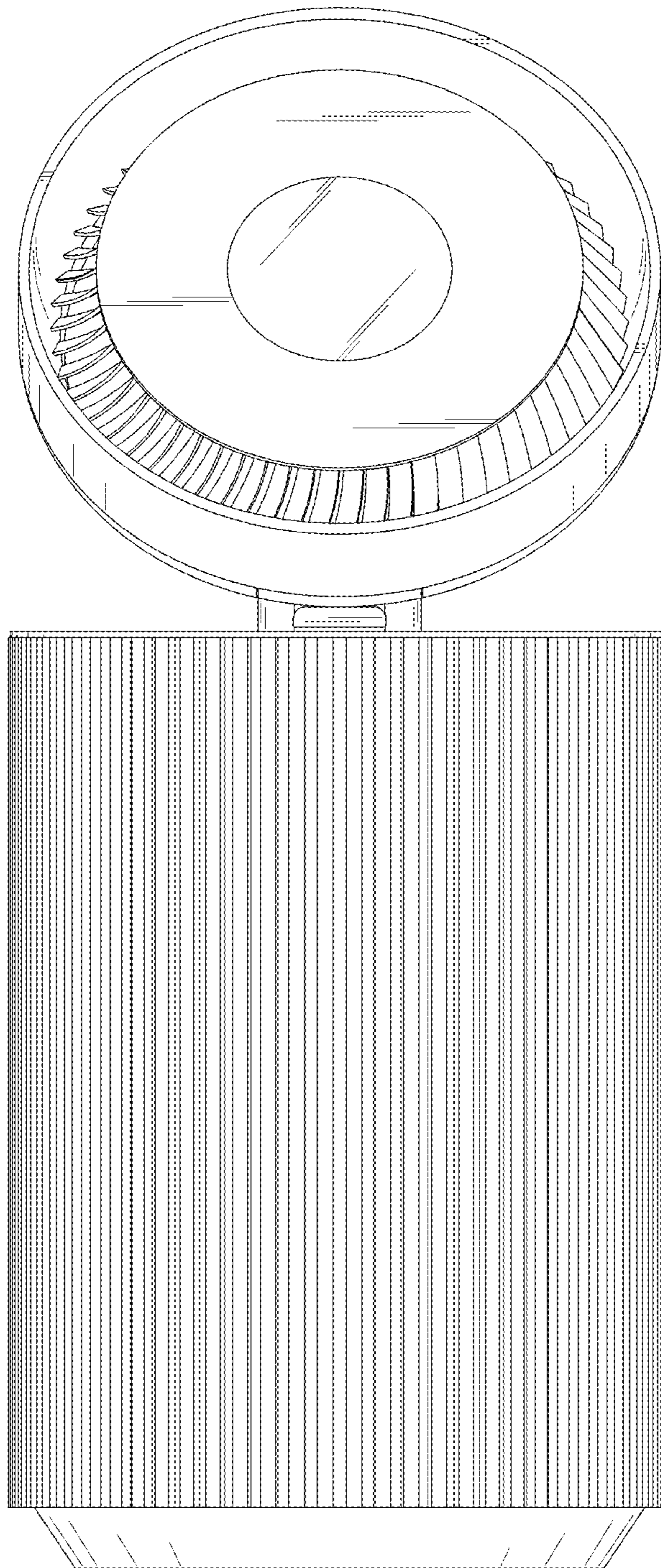


FIG. 10

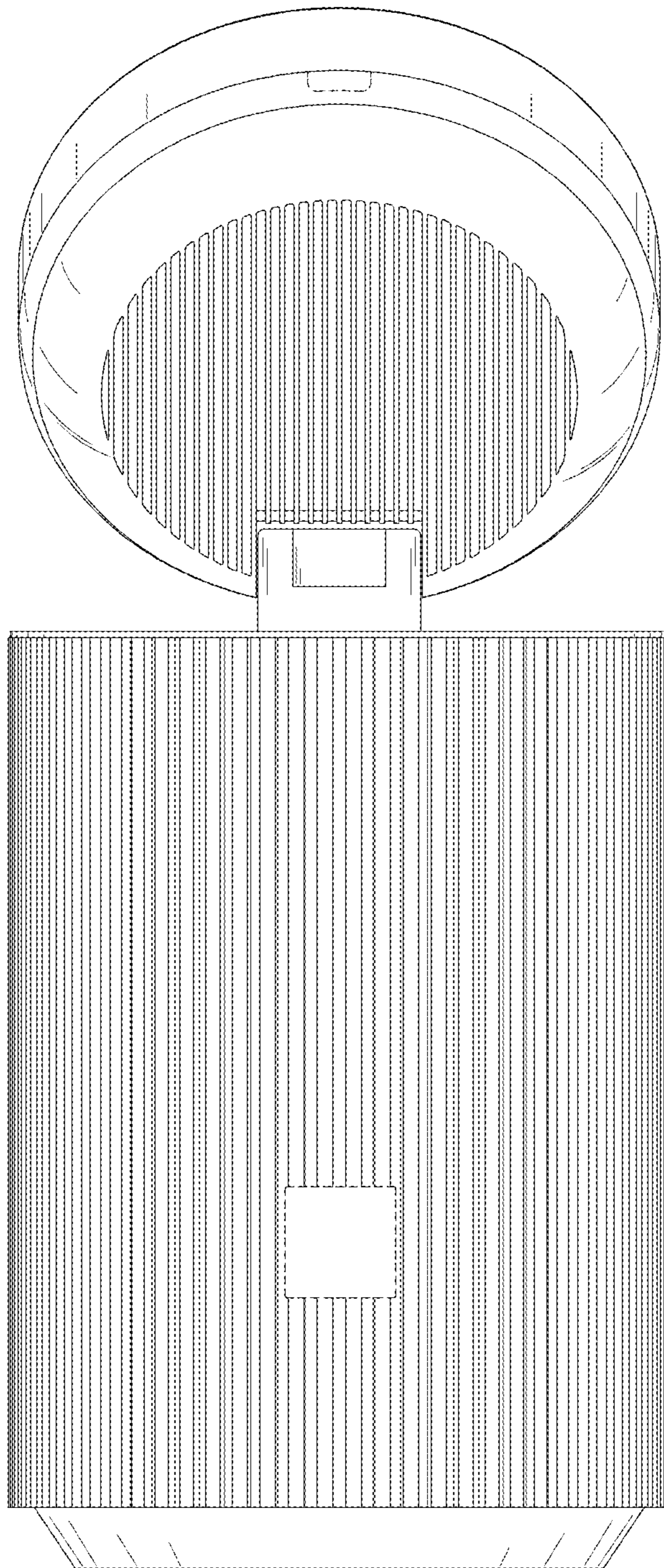


FIG. 11

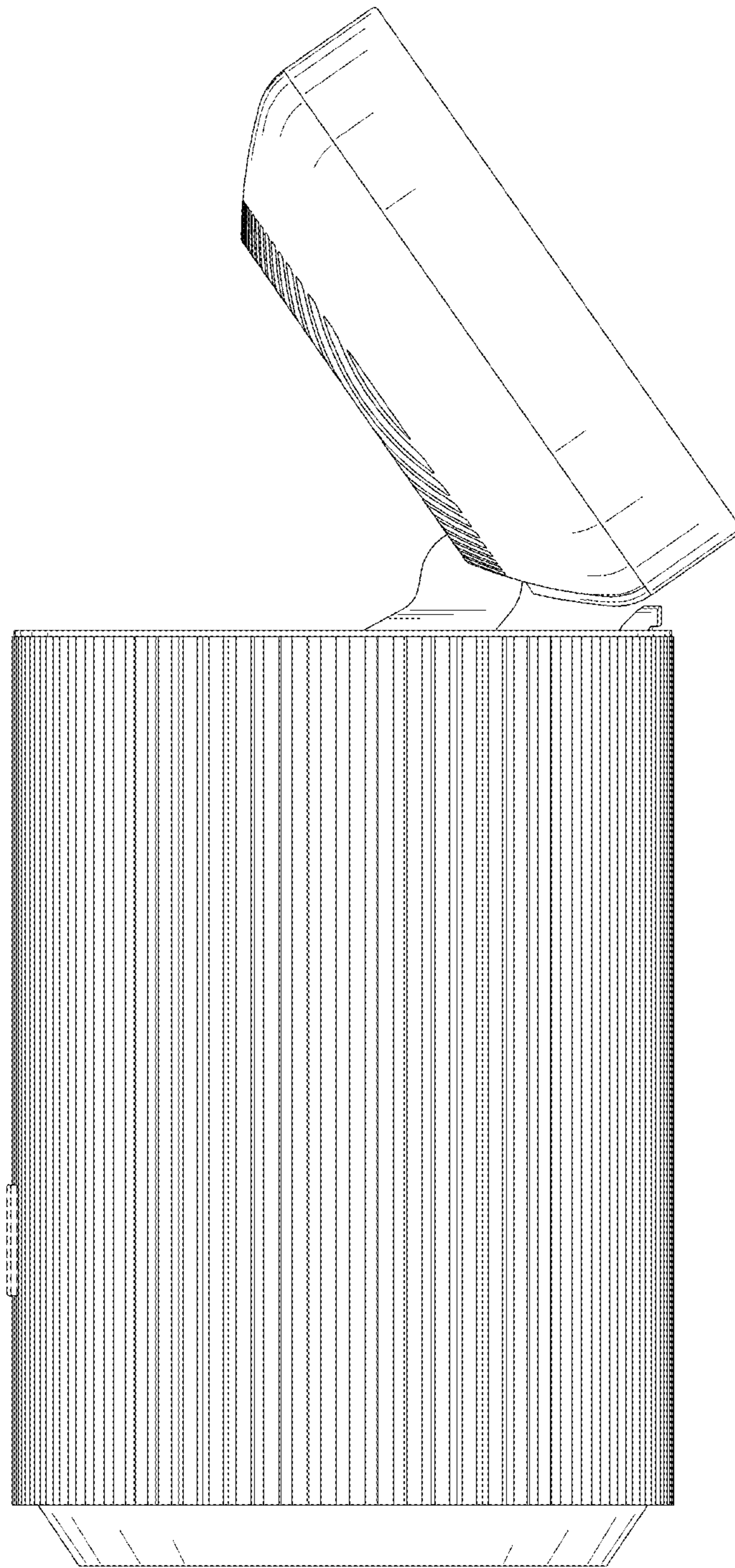


FIG. 12

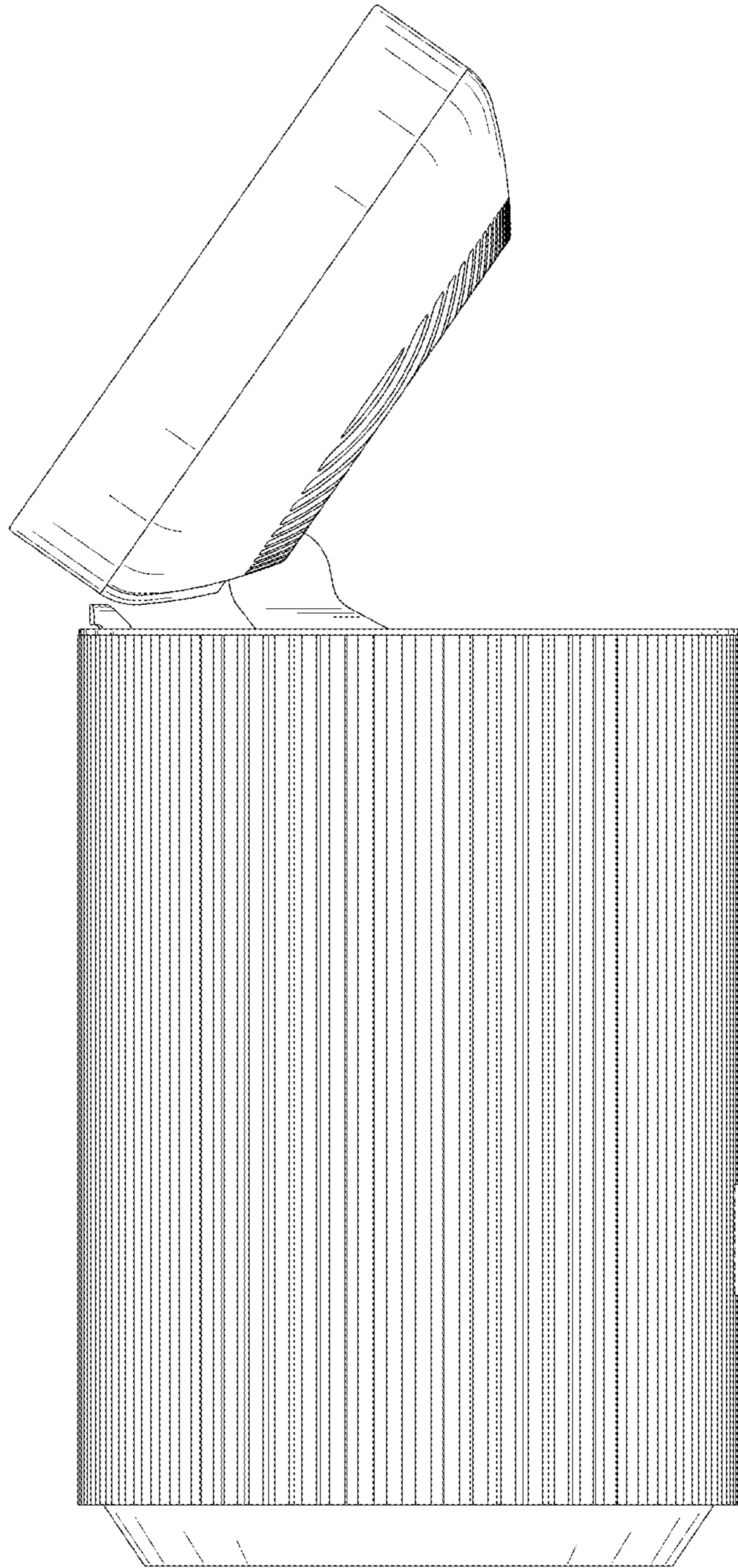


FIG. 13

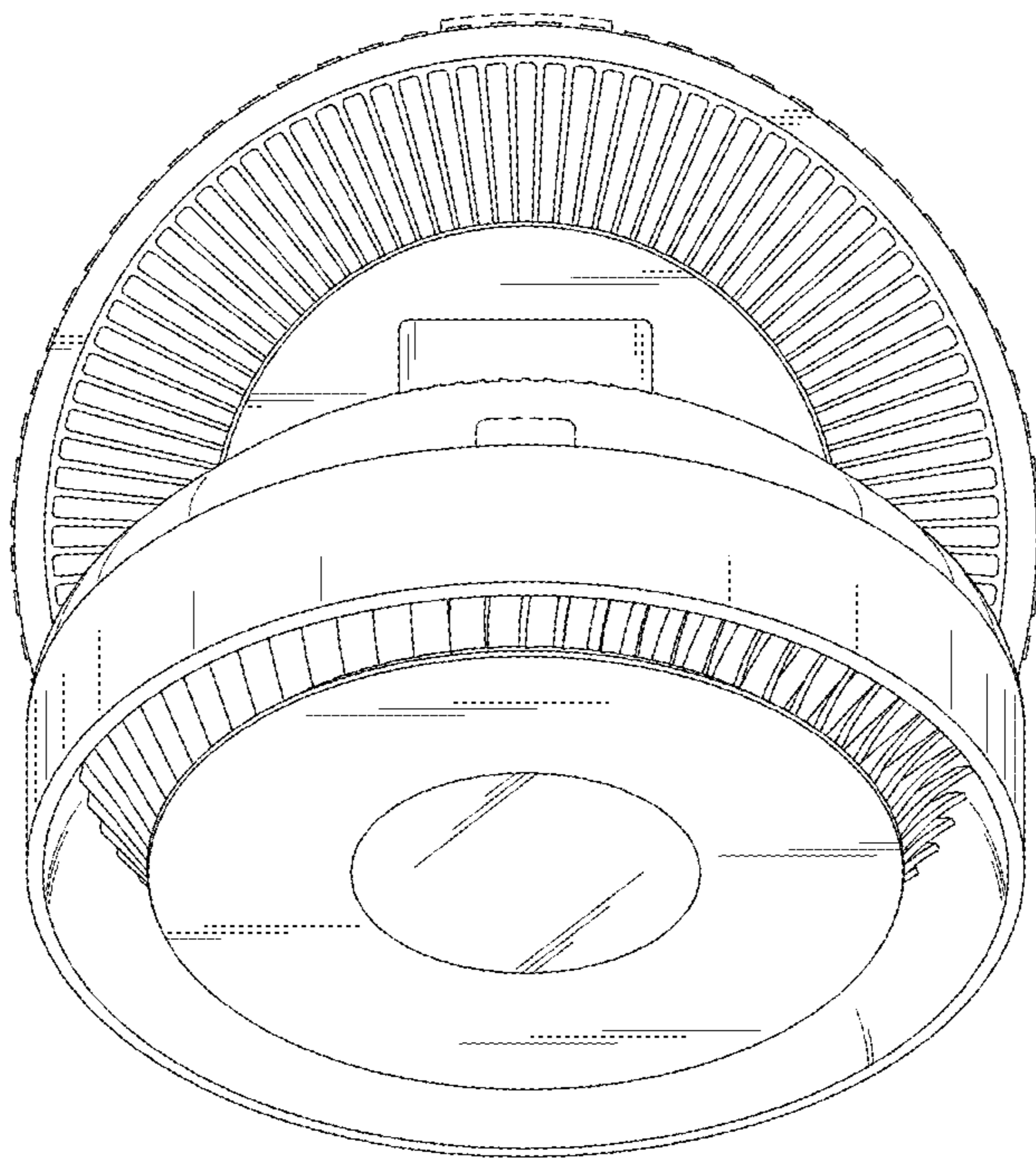


FIG. 14

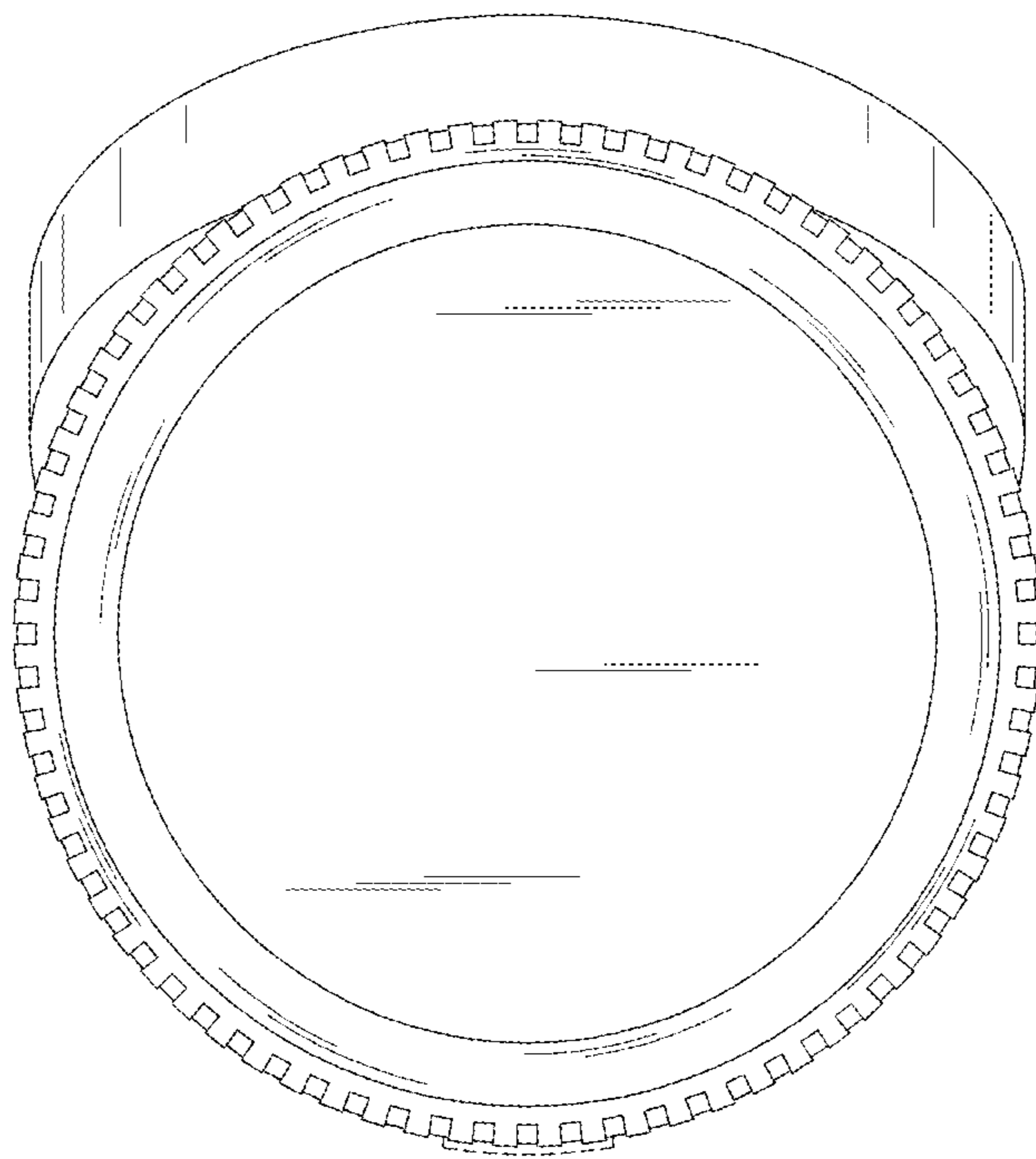


FIG. 15

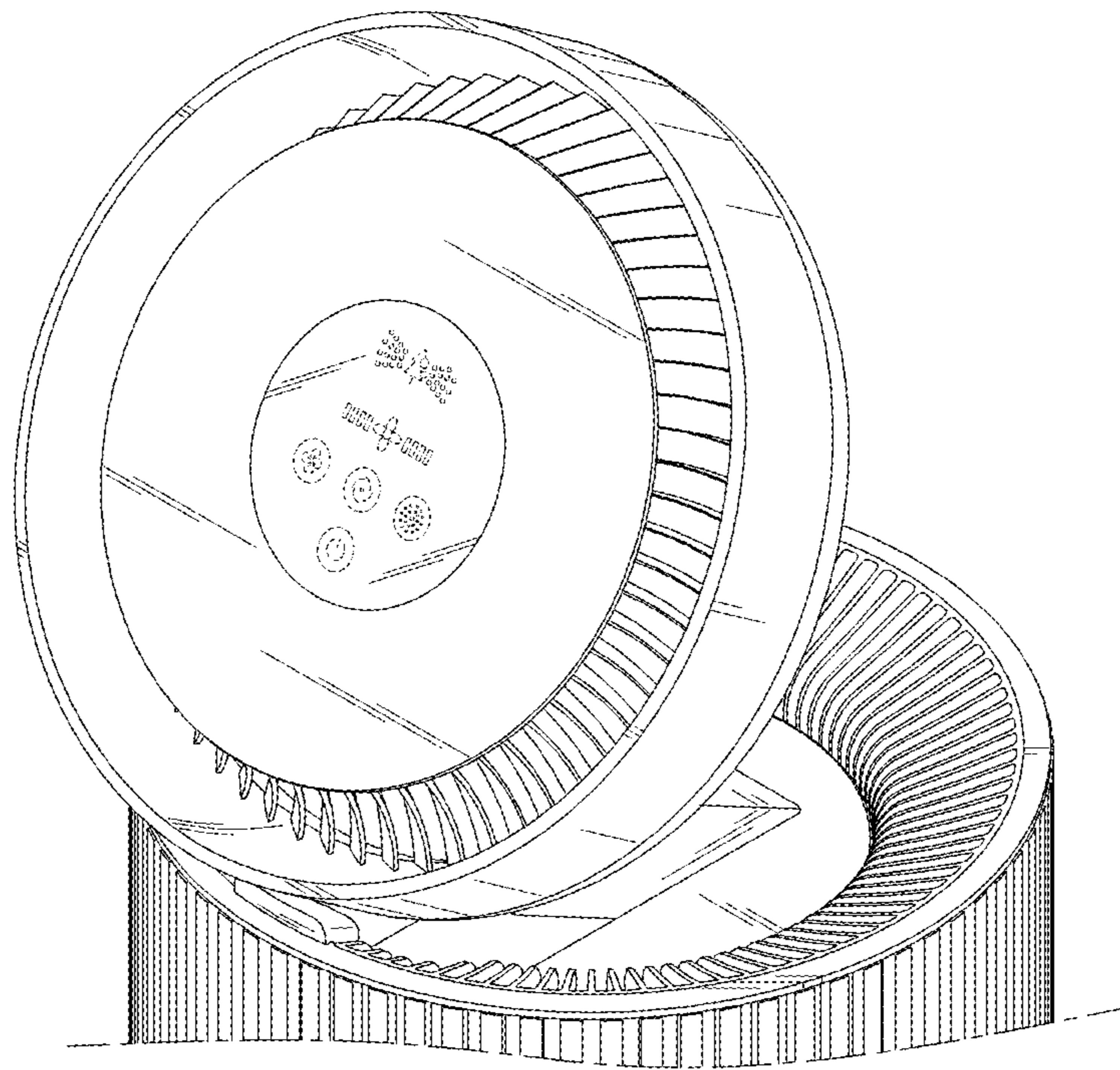


FIG. 16

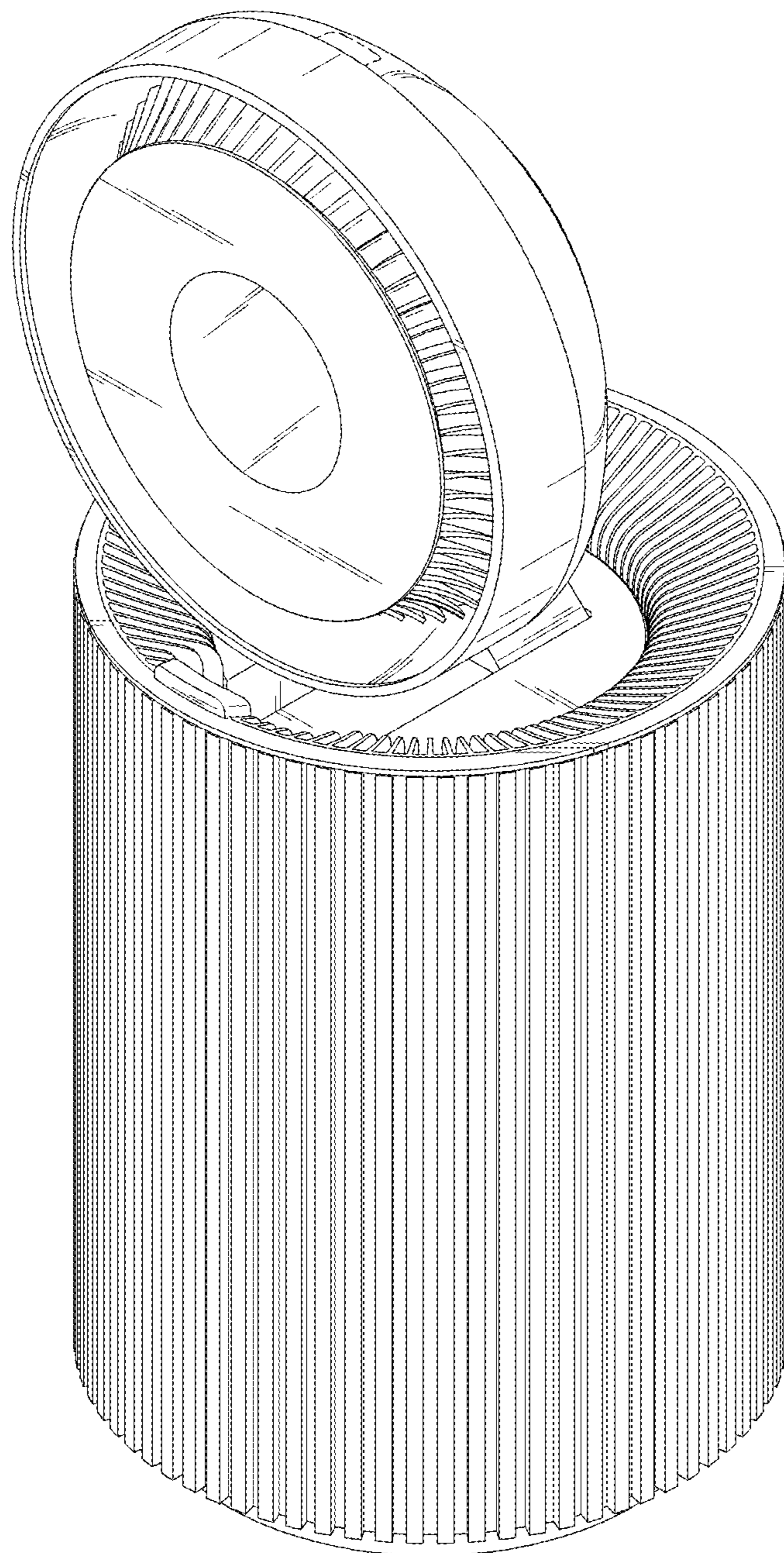


FIG. 17

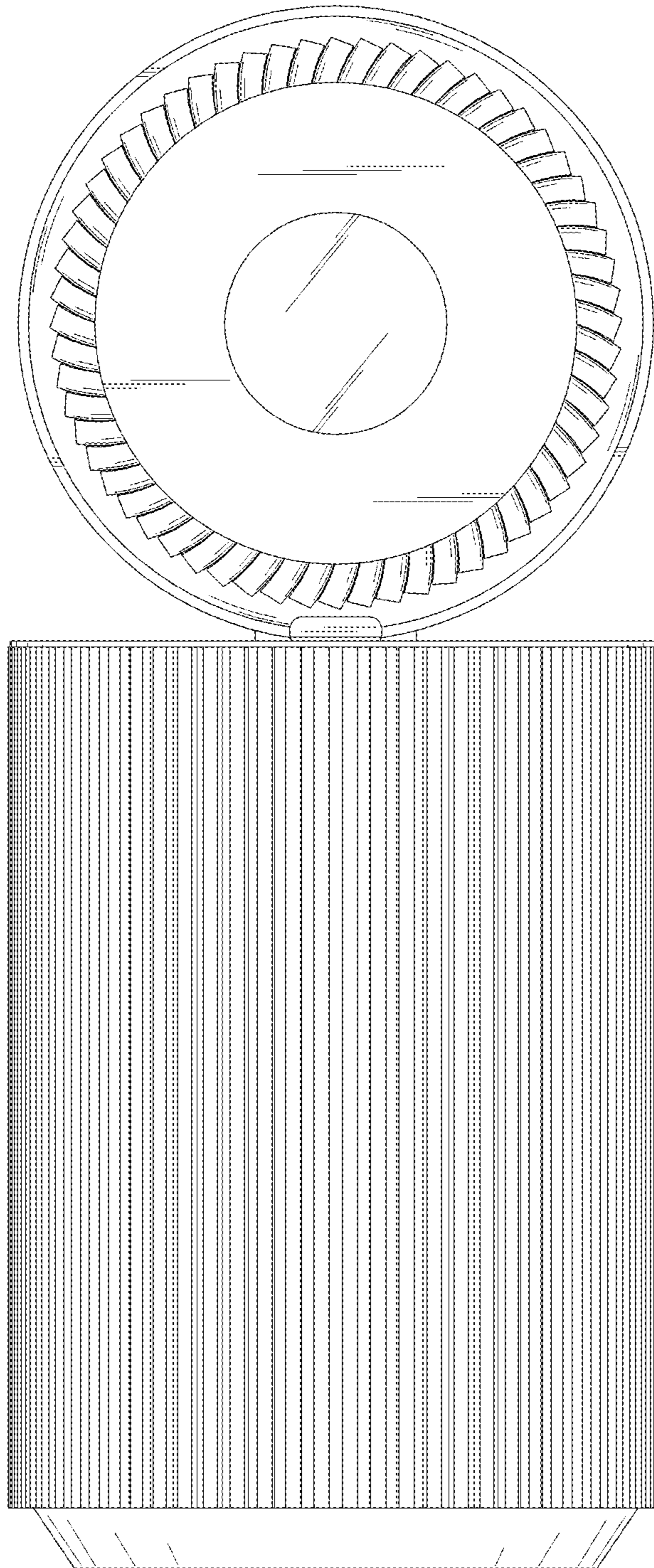


FIG. 18

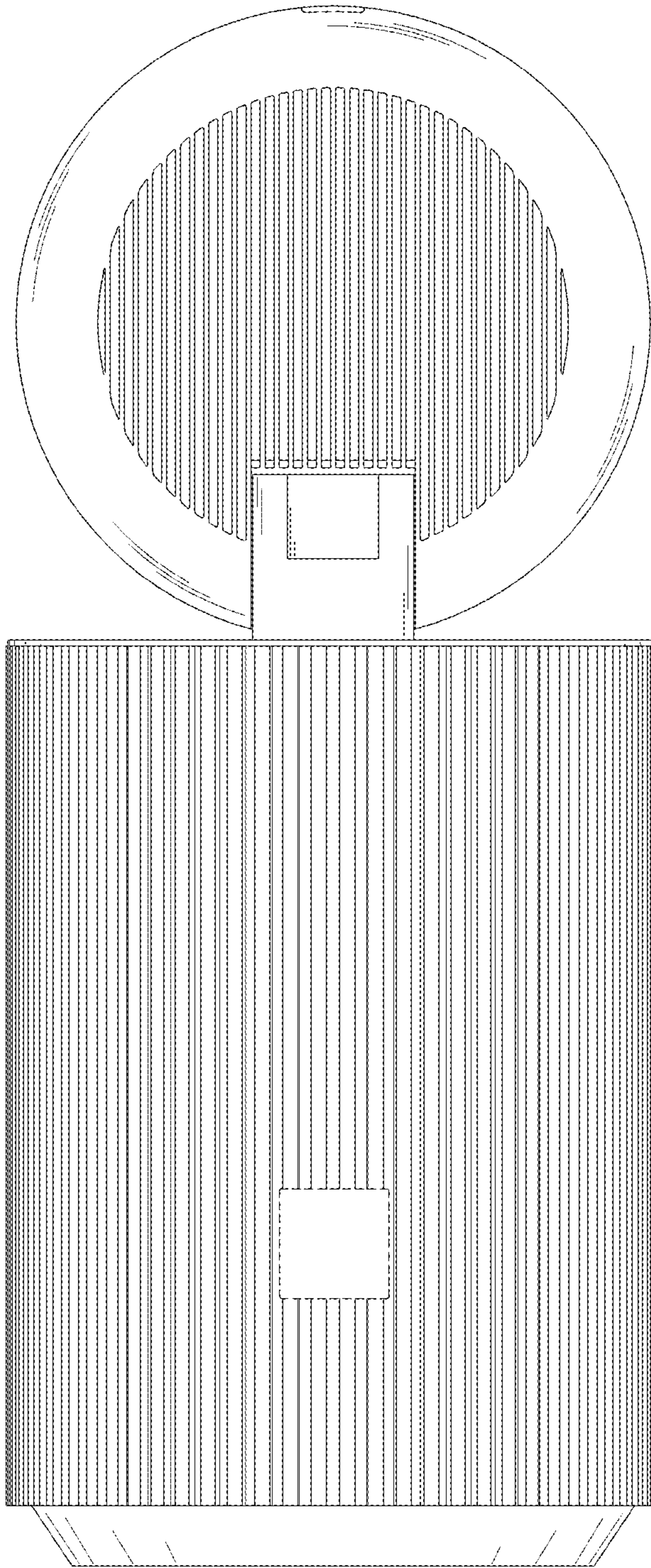


FIG. 19

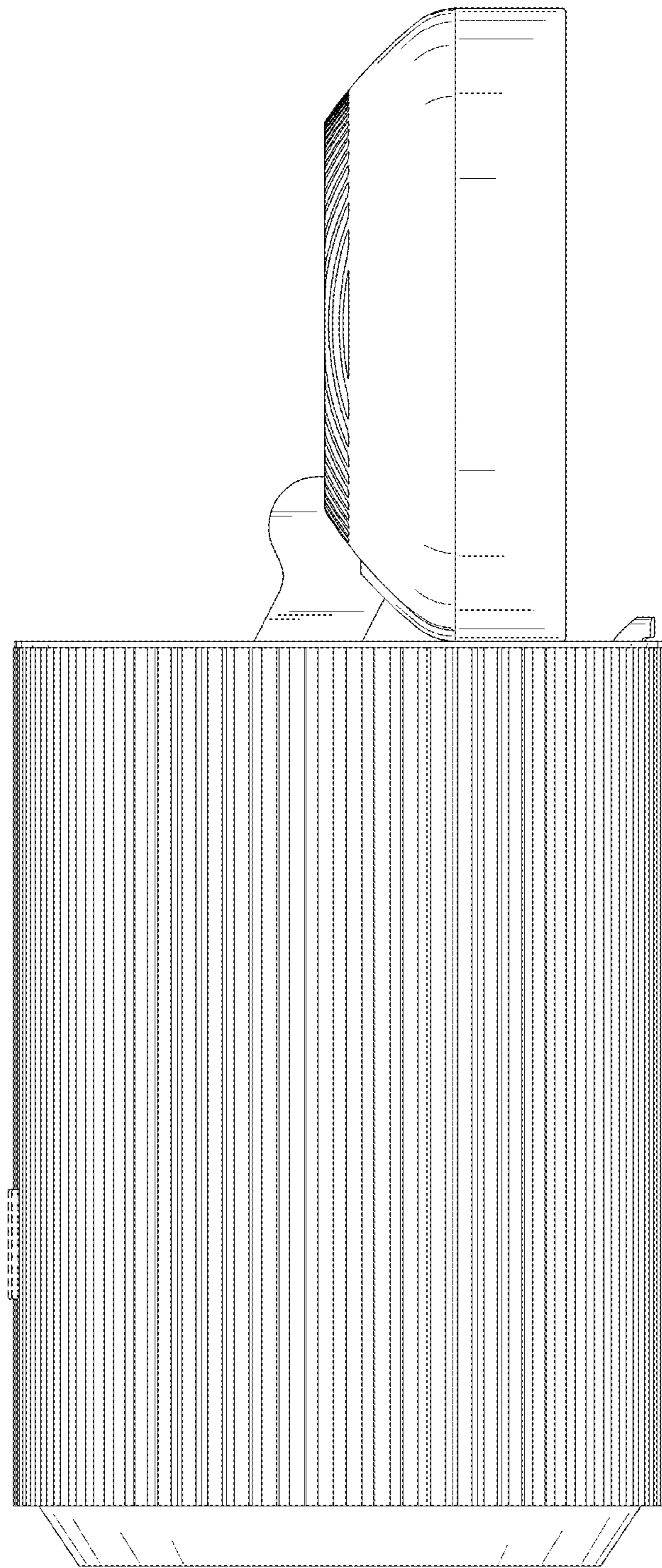


FIG. 20

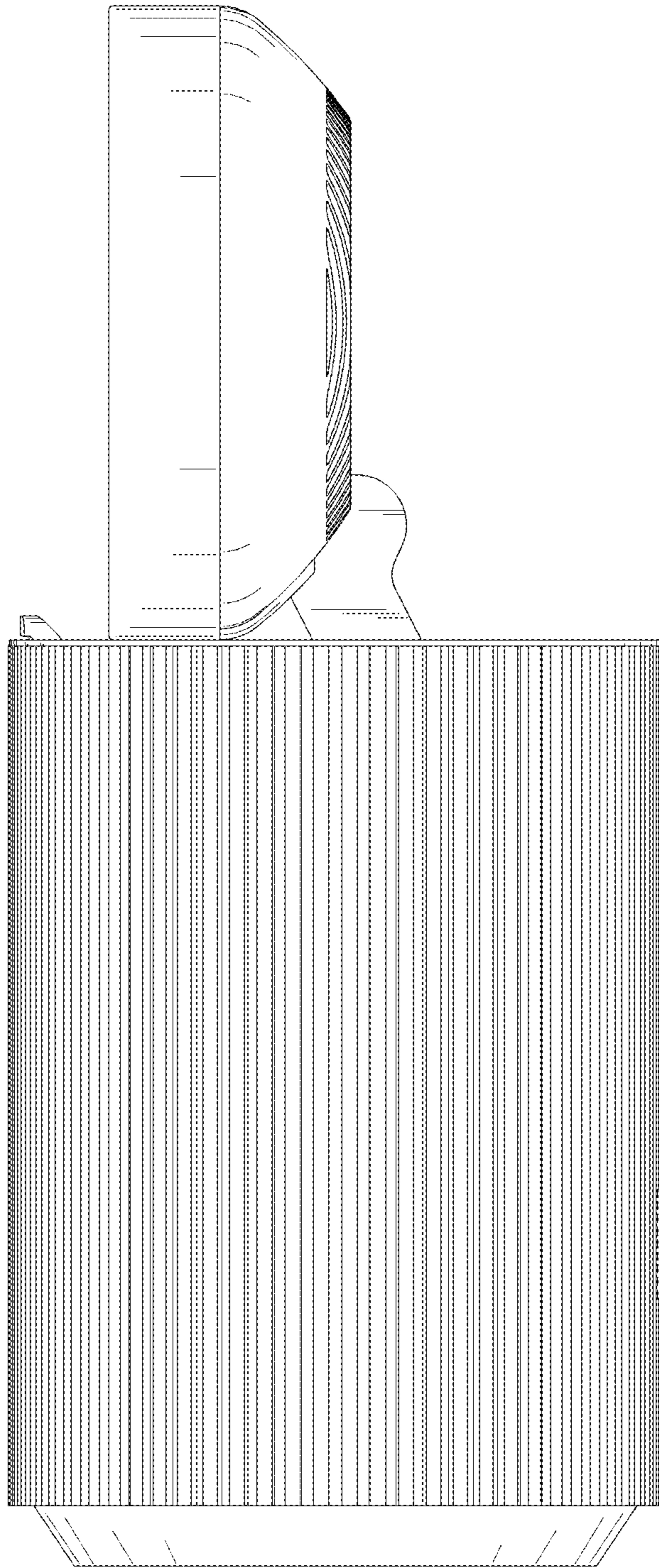


FIG. 21

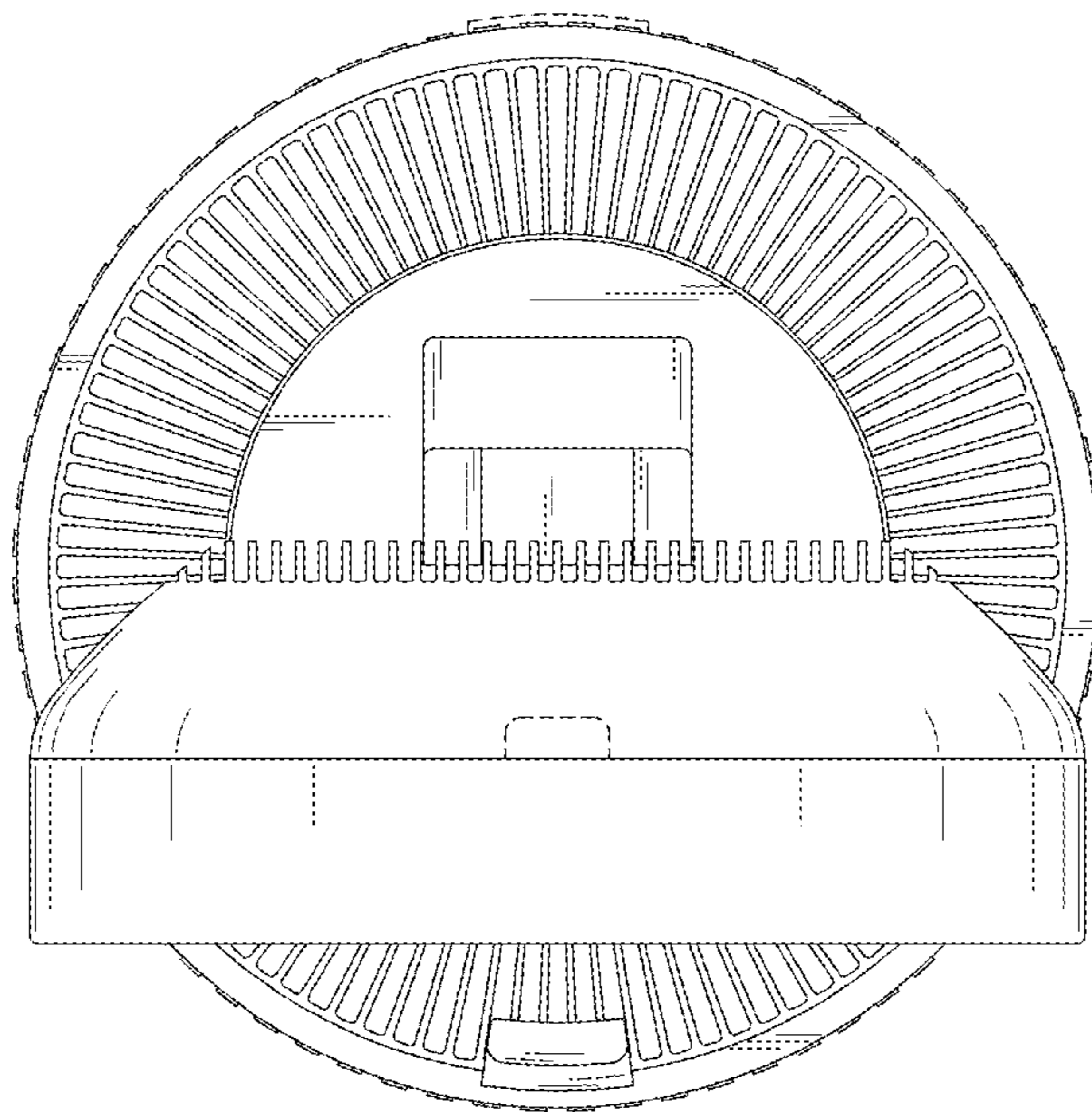


FIG. 22

