

US00D967375S

(12) **United States Design Patent** (10) **Patent No.:** **US D967,375 S**
Han et al. (45) **Date of Patent:** **** *Oct. 18, 2022**

(54) **AIR PURIFIER**

(71) Applicant: **LG ELECTRONICS INC.**, Seoul (KR)

(72) Inventors: **Sungkyong Han**, Seoul (KR); **Sehwan Bae**, Seoul (KR); **Myungwhoon Lee**, Seoul (KR); **Kangeui Cho**, Seoul (KR); **Jiug Ha**, Seoul (KR)

(73) Assignee: **LG Electronics Inc.**, Seoul (KR)

(*) Notice: This patent is subject to a terminal disclaimer.

(**) Term: **15 Years**

(21) Appl. No.: **29/721,862**

(22) Filed: **Jan. 23, 2020**

(30) **Foreign Application Priority Data**

Jul. 25, 2019 (KR) 30-2019-0035861

(51) **LOC (13) Cl.** **23-04**

(52) **U.S. Cl.**
USPC **D23/364**

(58) **Field of Classification Search**
USPC .. D7/536, 538, 553.8, 554.2, 602-604, 612;
D9/428, 545, 738, 763-764, 767;
D23/332-335, 337, 342, 352, 355-366,
D23/369-370; D5/1-3, 56-63
CPC .. A61L 9/00; A61L 9/22; B01D 47/00; B01D
47/027; B01D 2259/4508; B03C 3/155;
(Continued)

(56) **References Cited**

U.S. PATENT DOCUMENTS

D818,095 S * 5/2018 Cho D23/364
D818,097 S * 5/2018 Cho D23/364
D835,766 S * 12/2018 Chen D23/364

(Continued)

Primary Examiner — Karen S Acker

Assistant Examiner — Jonathan E Fiencke

(74) *Attorney, Agent, or Firm* — Birch, Stewart, Kolasch & Birch, LLP

(57) **CLAIM**

We claim the ornamental design for an air purifier, as shown and described.

DESCRIPTION

FIG. 1 is a perspective view of an air purifier showing the new design;

FIG. 2 is a front elevation view thereof;

FIG. 3 is a rear elevation view thereof;

FIG. 4 is a left-side elevation view thereof;

FIG. 5 is a right-side elevation view thereof;

FIG. 6 is a top plan view thereof;

FIG. 7 is a bottom plan view thereof;

FIG. 8 is a perspective view thereof showing the circulator part at an angle;

FIG. 9 is a front elevation view thereof;

FIG. 10 is a rear elevation view thereof;

FIG. 11 is a left-side elevation view thereof;

FIG. 12 is a right-side elevation view thereof;

FIG. 13 is a top plan view thereof;

FIG. 14 is a bottom plan view thereof;

FIG. 15 is a perspective view thereof showing the circulator part at another angle;

FIG. 16 is a front elevation view thereof;

FIG. 17 is a rear elevation view thereof;

FIG. 18 is a left-side elevation view thereof;

FIG. 19 is a right-side elevation view thereof;

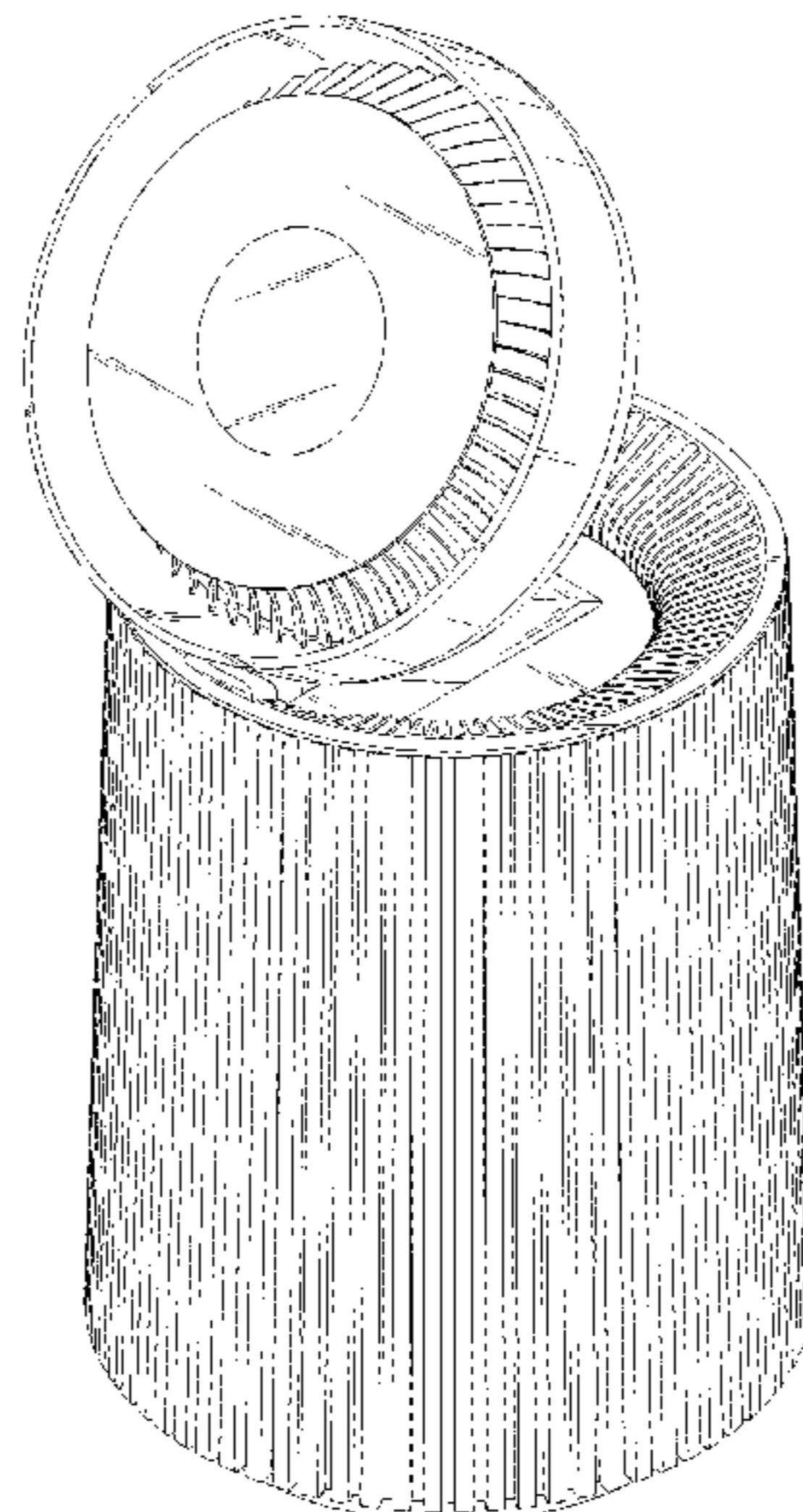
FIG. 20 is a top plan view thereof;

FIG. 21 is a bottom plan view thereof; and,

FIG. 22 is a partial perspective view thereof showing the air purifier in a state of use.

The evenly spaced broken lines depict features of the air purifier that form no part of the claimed design. The dot dash dot broken line in FIG. 22 denotes the boundary of the partial view and forms no part of the claimed design.

1 Claim, 22 Drawing Sheets



(58) **Field of Classification Search**

CPC ... B03C 3/368; F24F 3/16; F24F 13/20; F24F
13/28

See application file for complete search history.

(56) **References Cited**

U.S. PATENT DOCUMENTS

D838,355	S	*	1/2019	Cho	D23/365
D882,056	S	*	4/2020	Baillie	D23/364
D886,272	S	*	6/2020	Yang	D23/364
D886,975	S	*	6/2020	Yang	D23/364
D888,923	S	*	6/2020	Zhong	D23/364
D905,220	S	*	12/2020	Farone	D23/364
D906,501	S	*	12/2020	Lim	D23/364
D935,590	S	*	11/2021	Xu	D23/364
D938,565	S	*	12/2021	Yang	D23/364
D938,566	S	*	12/2021	Yang	D23/364
D941,980	S	*	1/2022	Zhang	D23/364
D942,604	S	*	2/2022	Yang	D23/364
D943,072	S	*	2/2022	Hu	D23/356
D944,959	S	*	3/2022	Wang	D23/364
D947,341	S	*	3/2022	Xia	D23/364
D948,016	S	*	4/2022	Yoon	D23/364
D950,034	S	*	4/2022	Peng	D23/364
D951,412	S	*	5/2022	Han	D23/364
D952,817	S	*	5/2022	Han	D23/364
D954,241	S	*	6/2022	Han	D23/364
D957,607	S	*	7/2022	Han	D23/364
D957,609	S	*	7/2022	Han	D23/364

* cited by examiner

FIG. 1

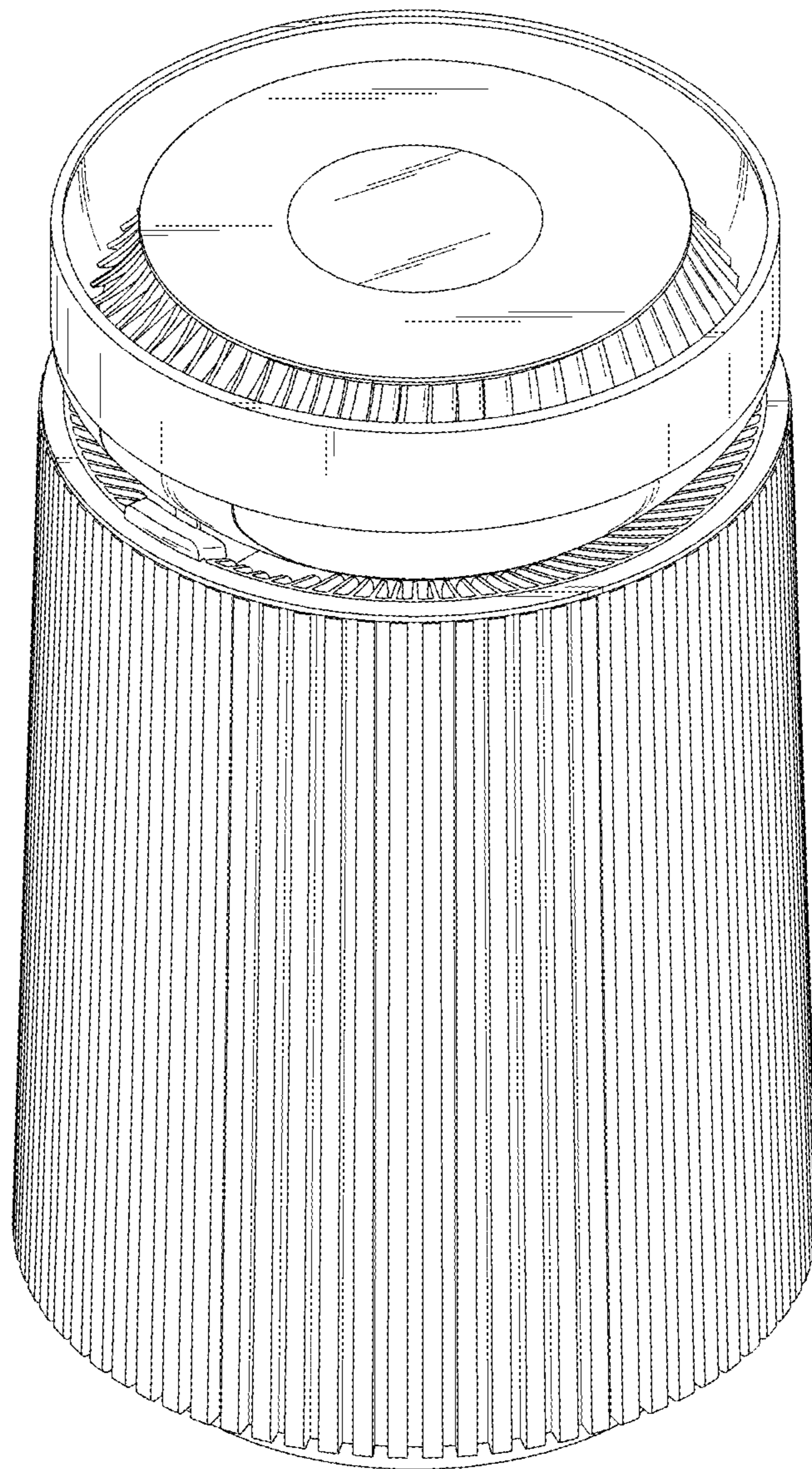


FIG. 2

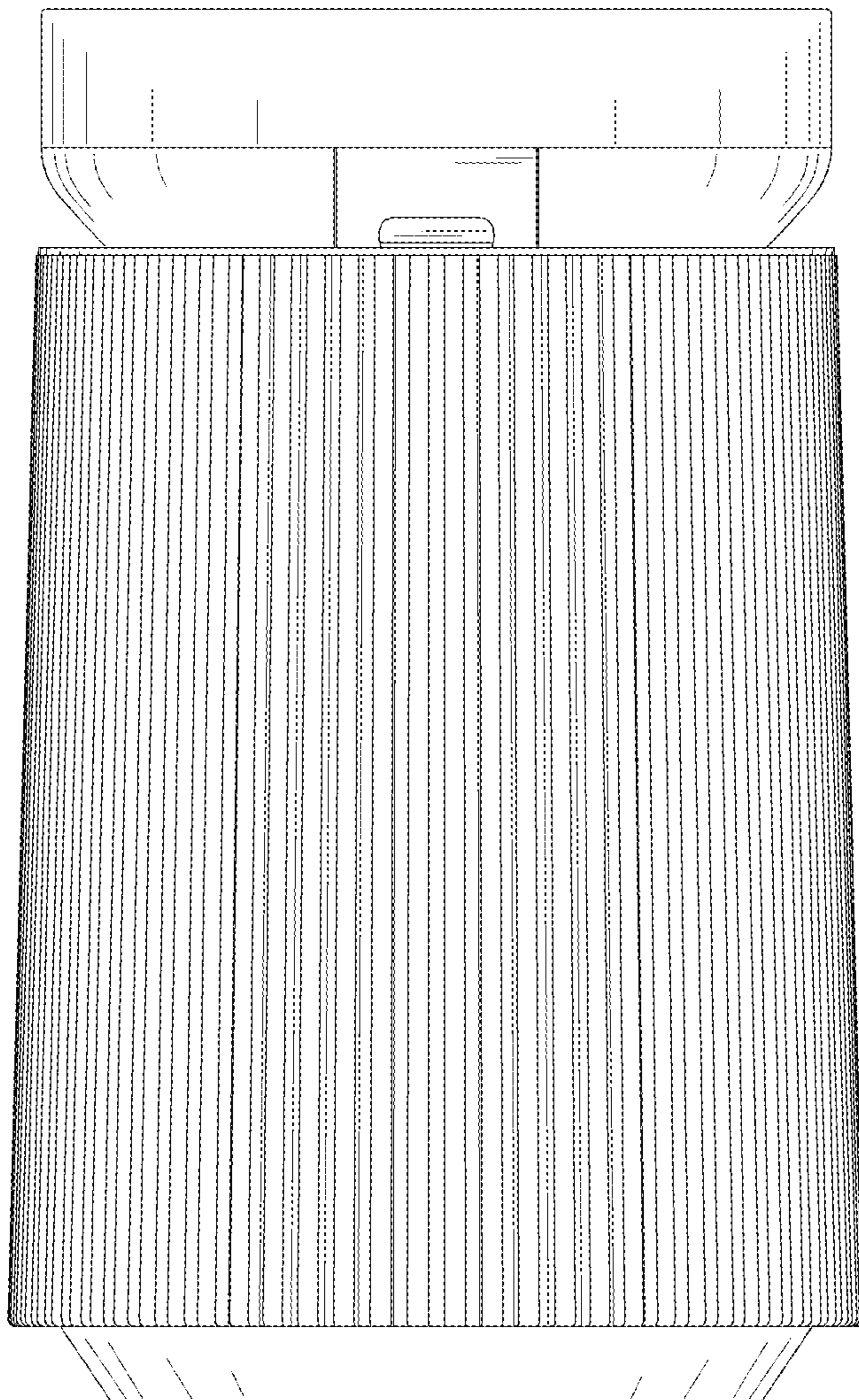


FIG. 3

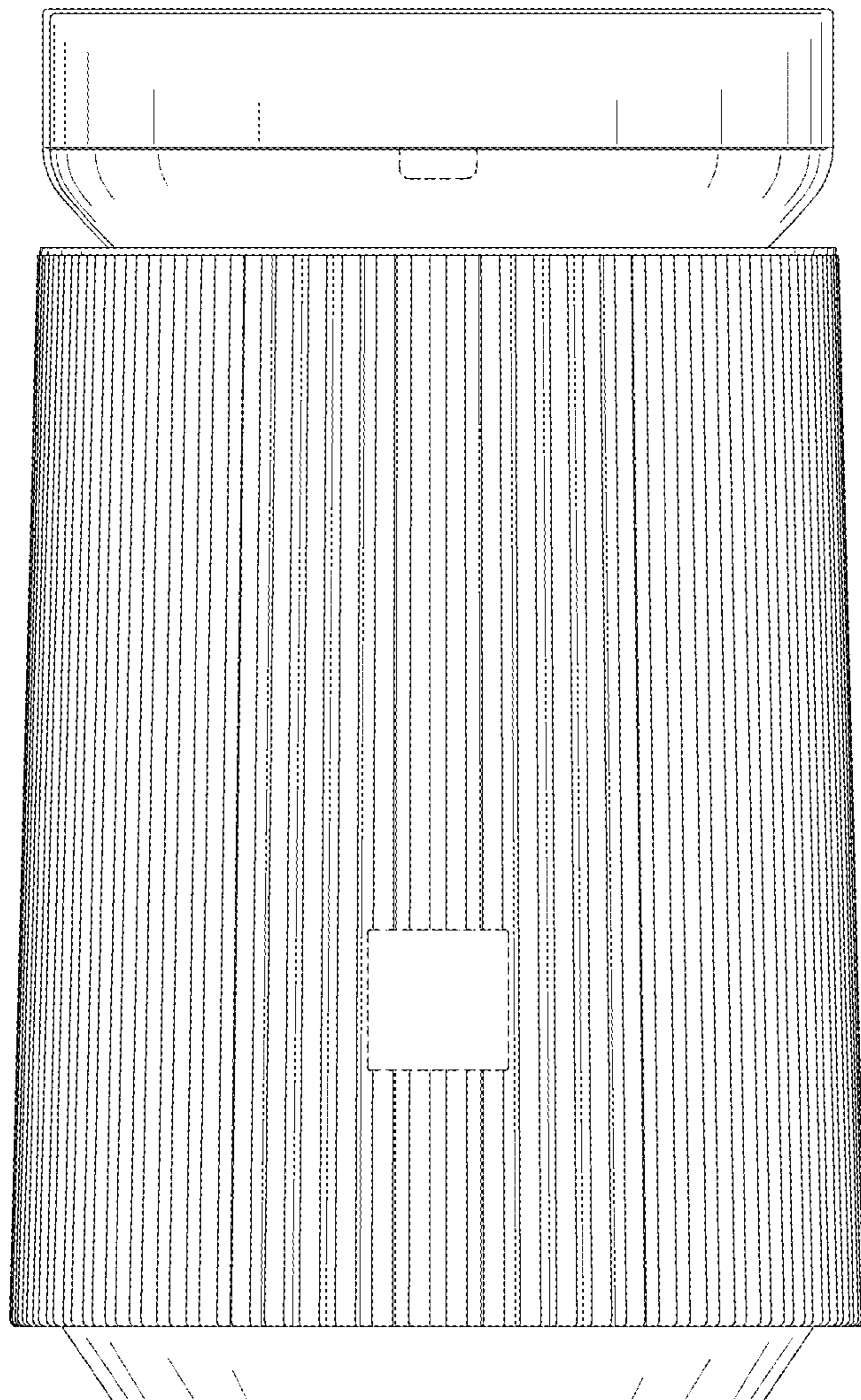


FIG. 4

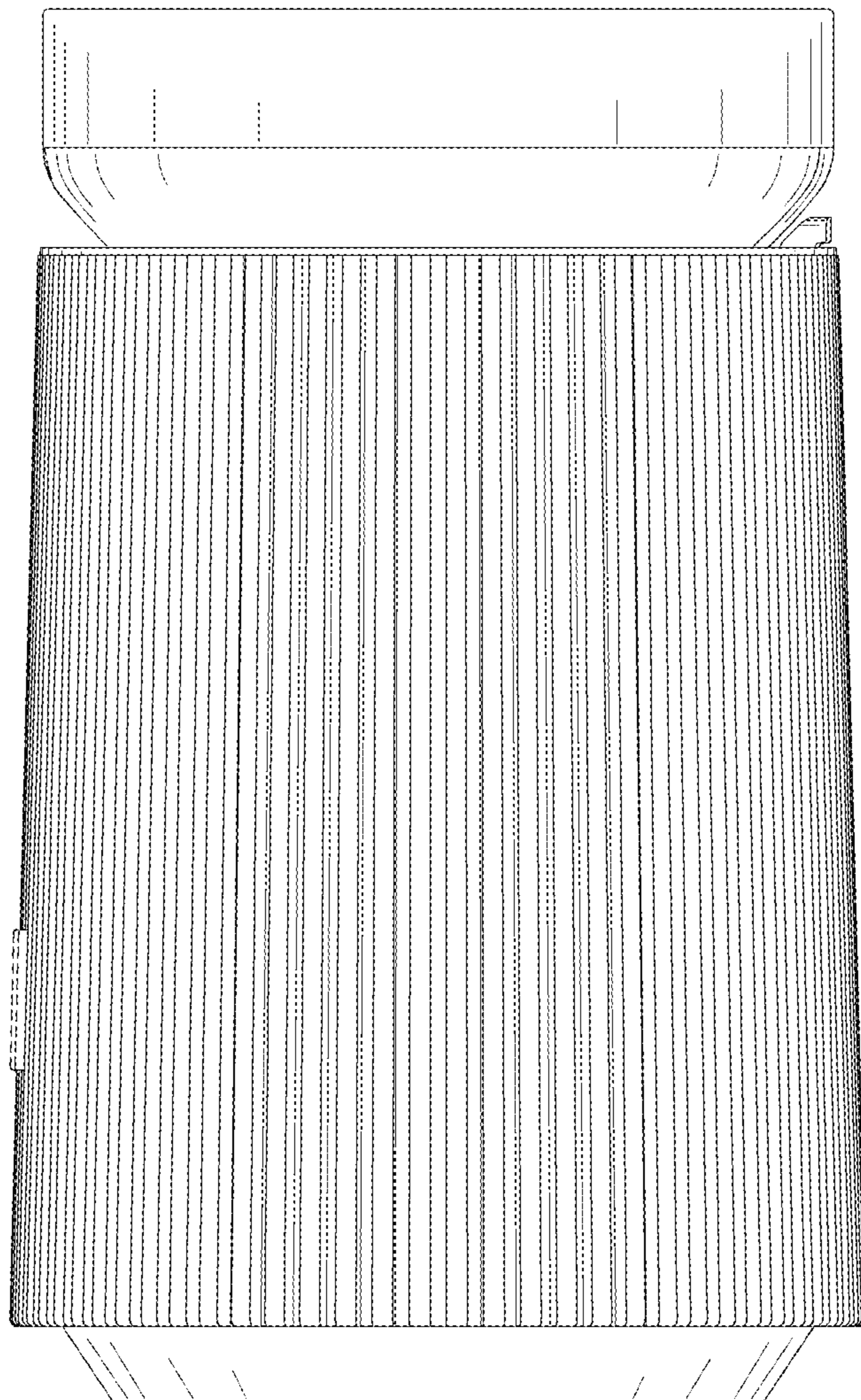


FIG. 5

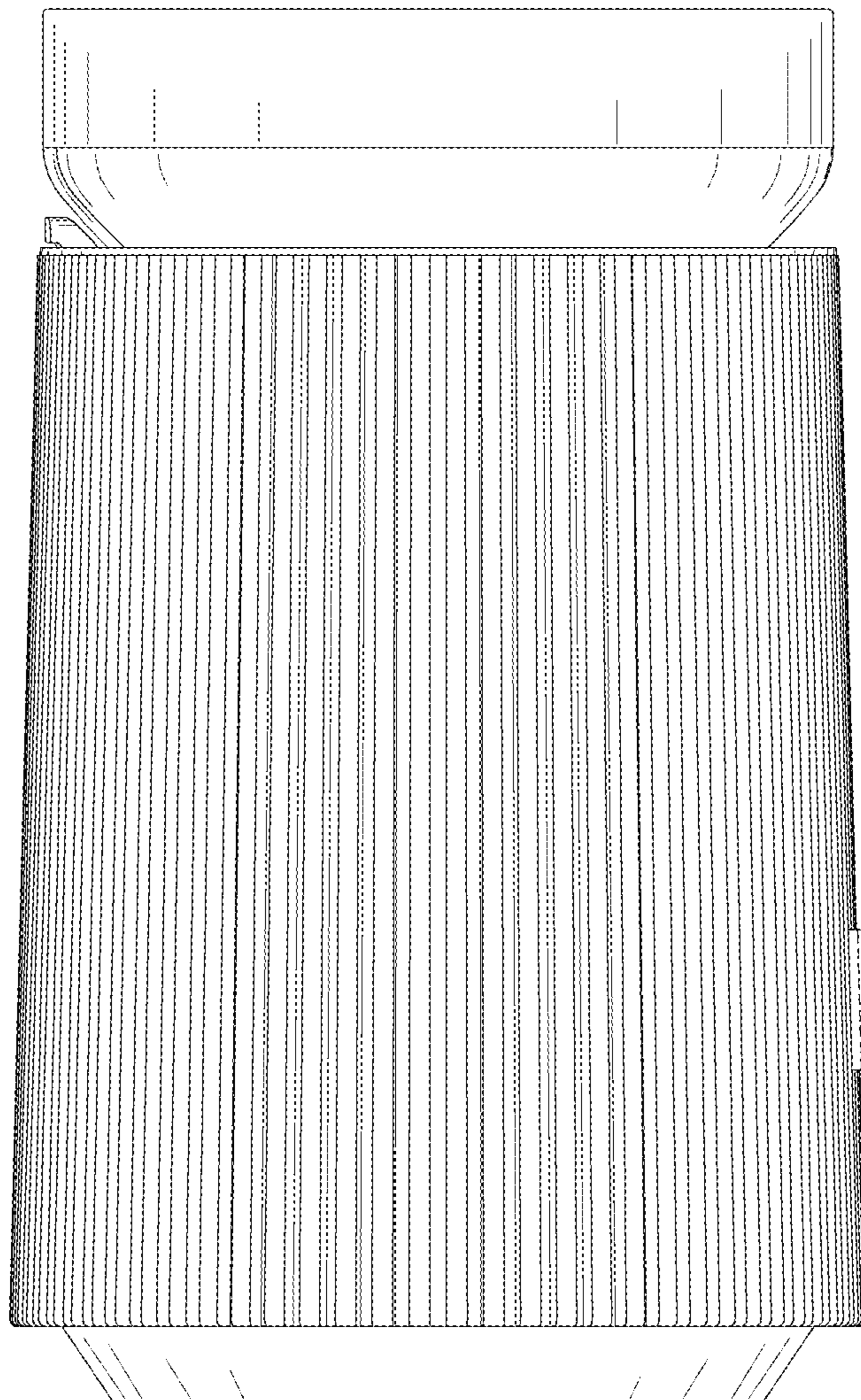


FIG. 6

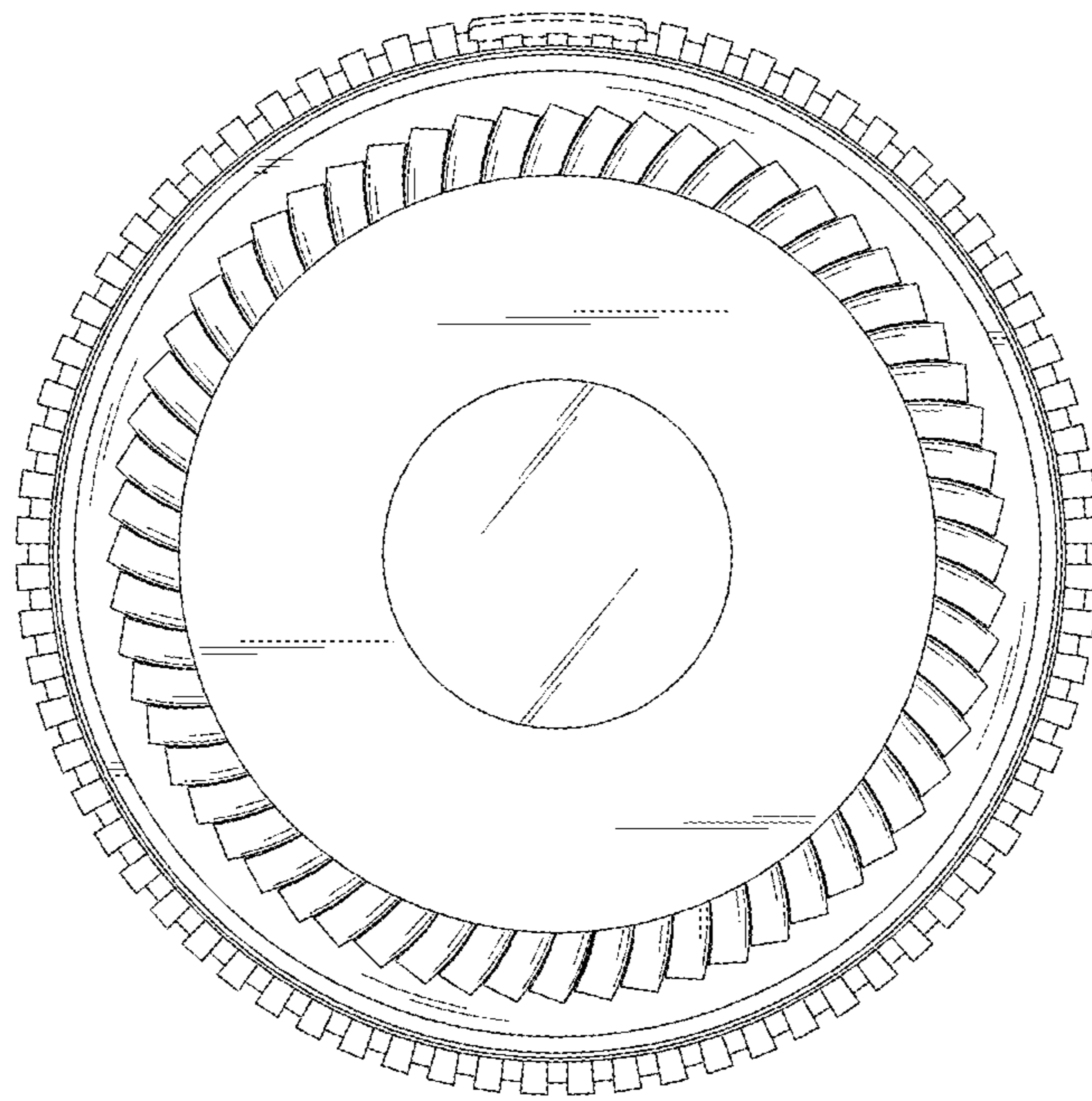


FIG. 7

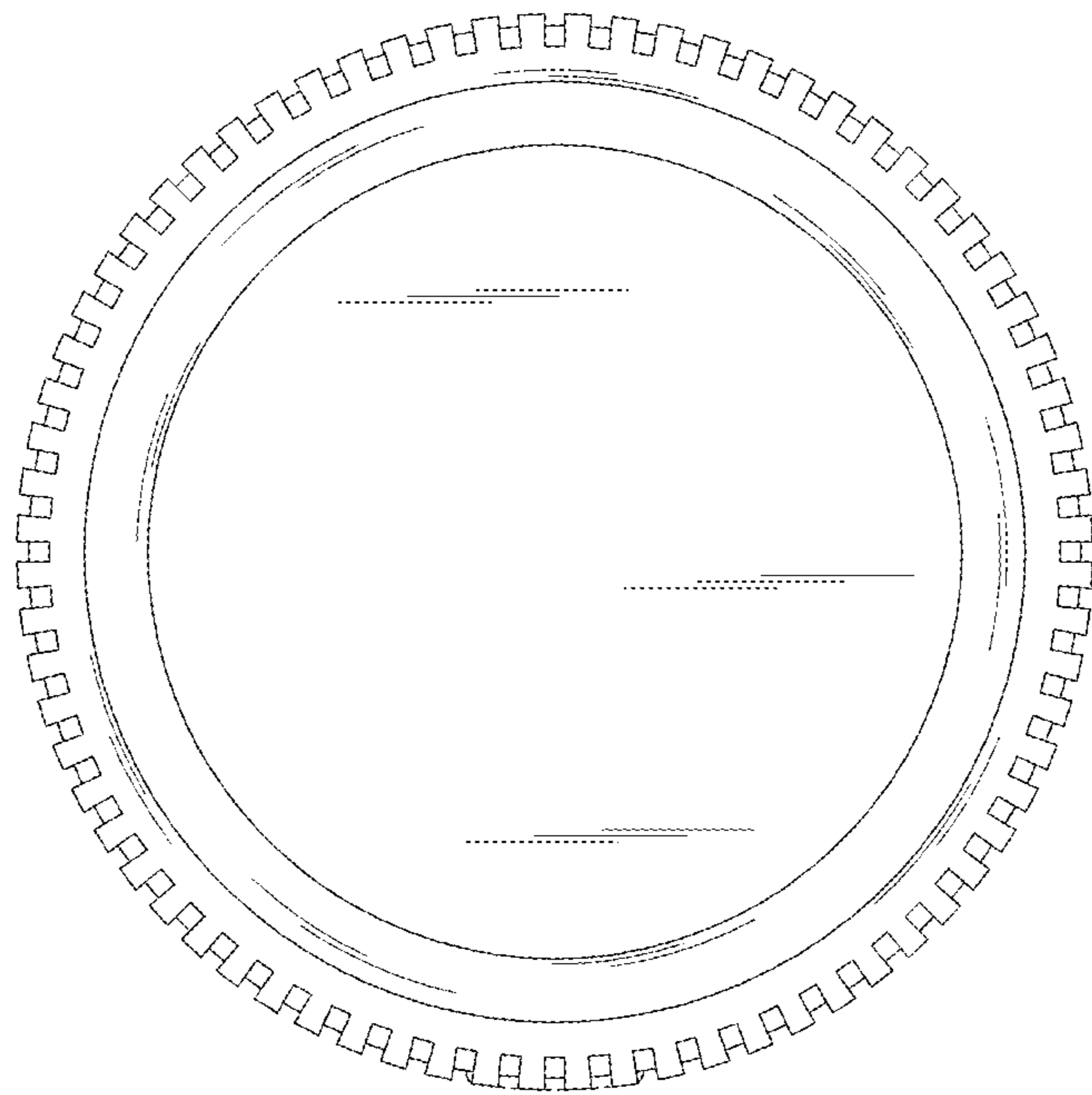


FIG. 8

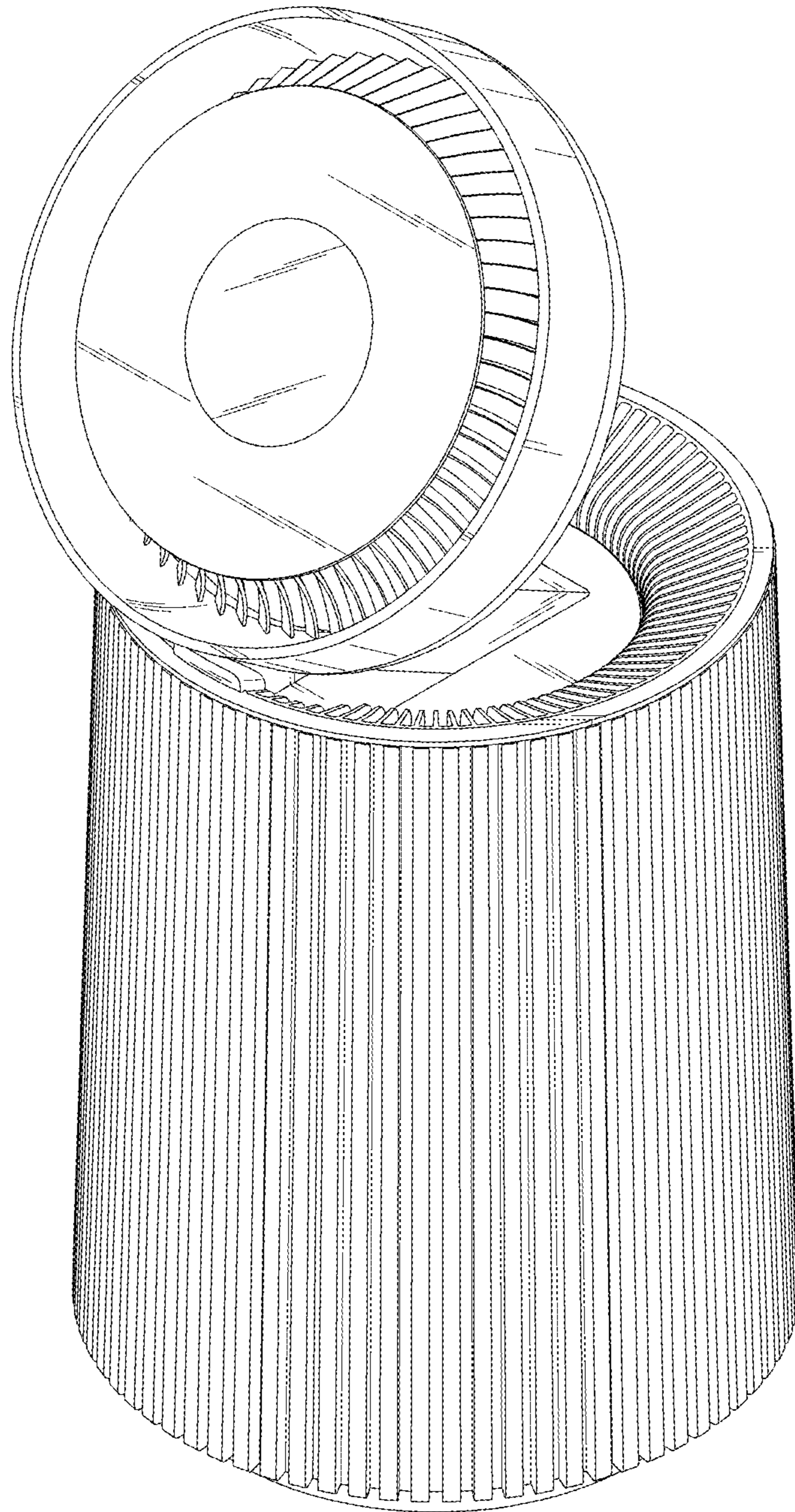


FIG. 9

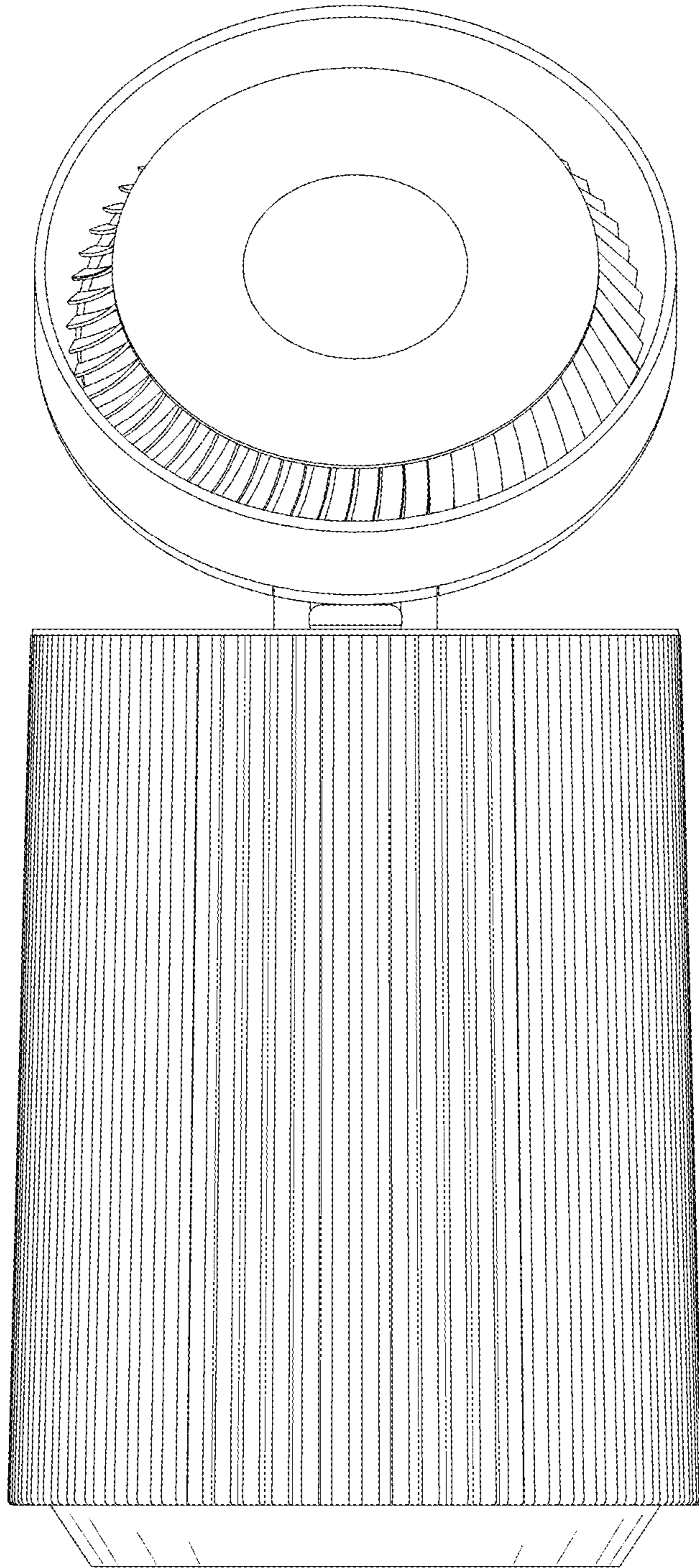


FIG. 10

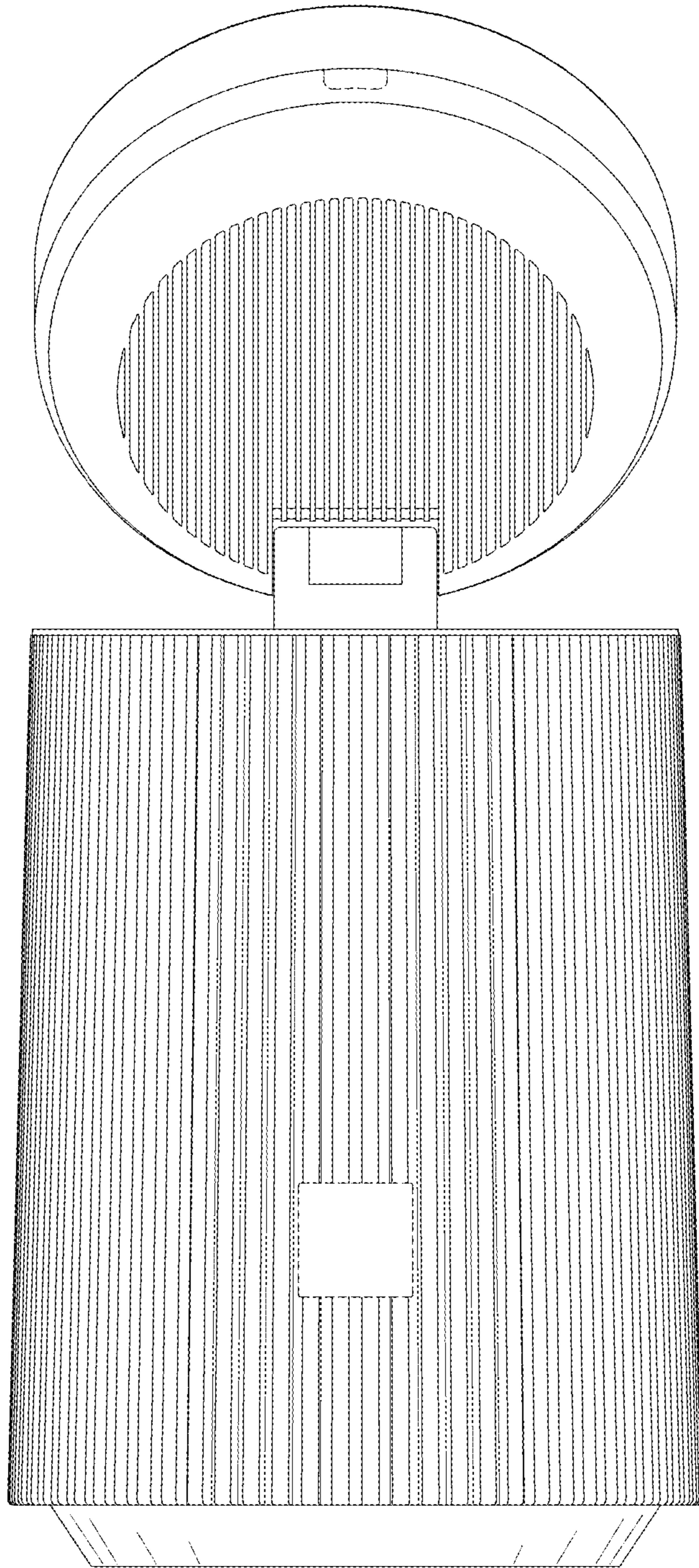


FIG. 11

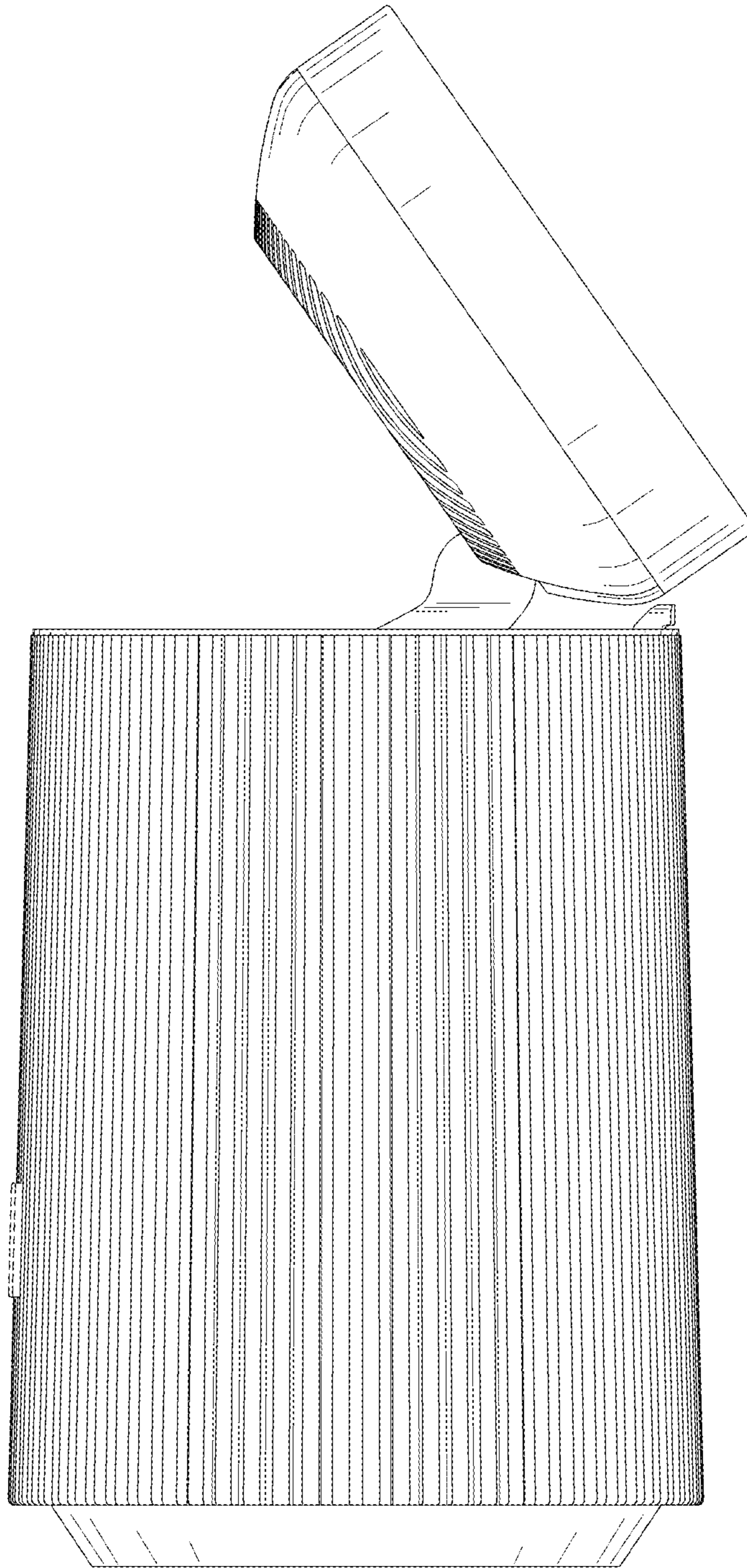


FIG. 12

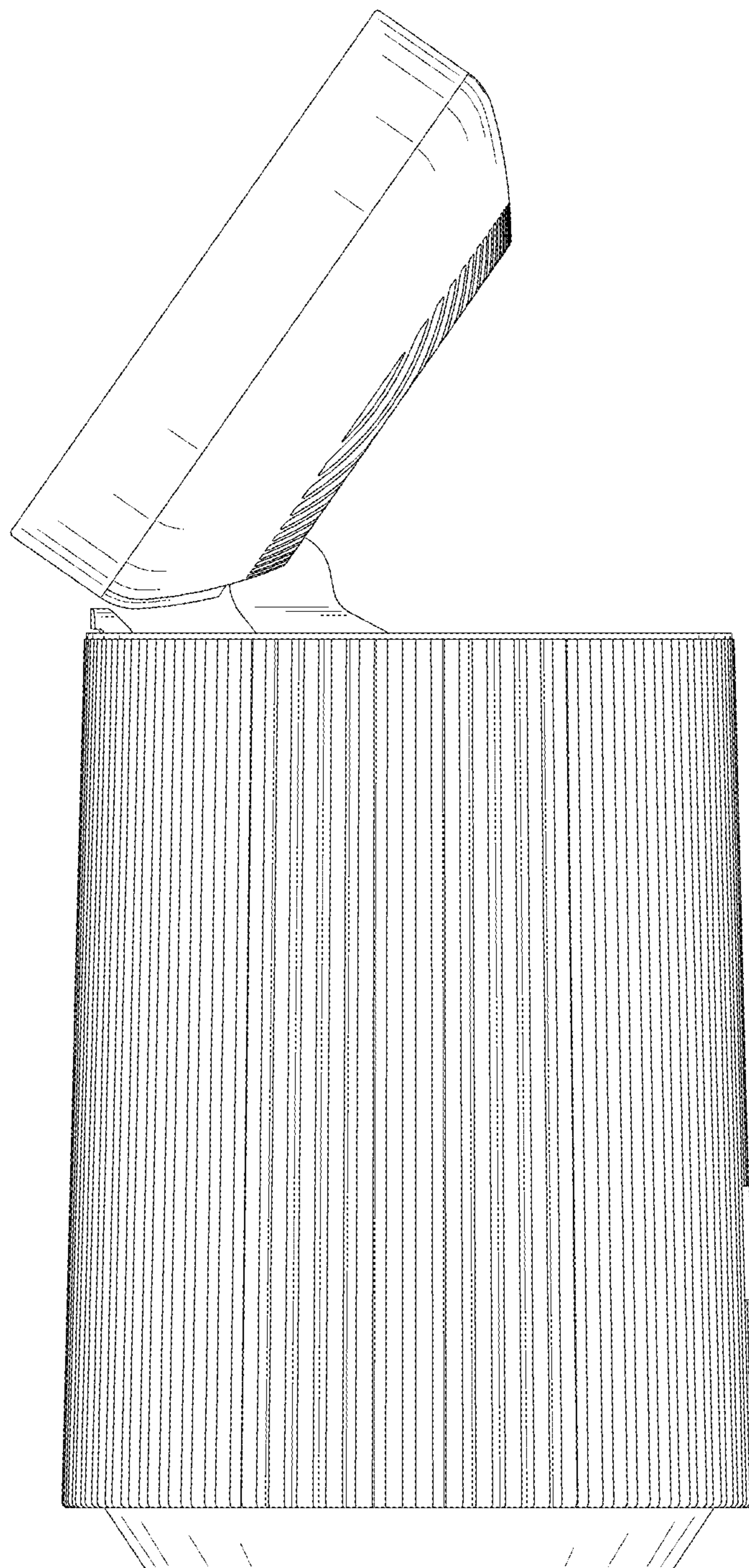


FIG. 13

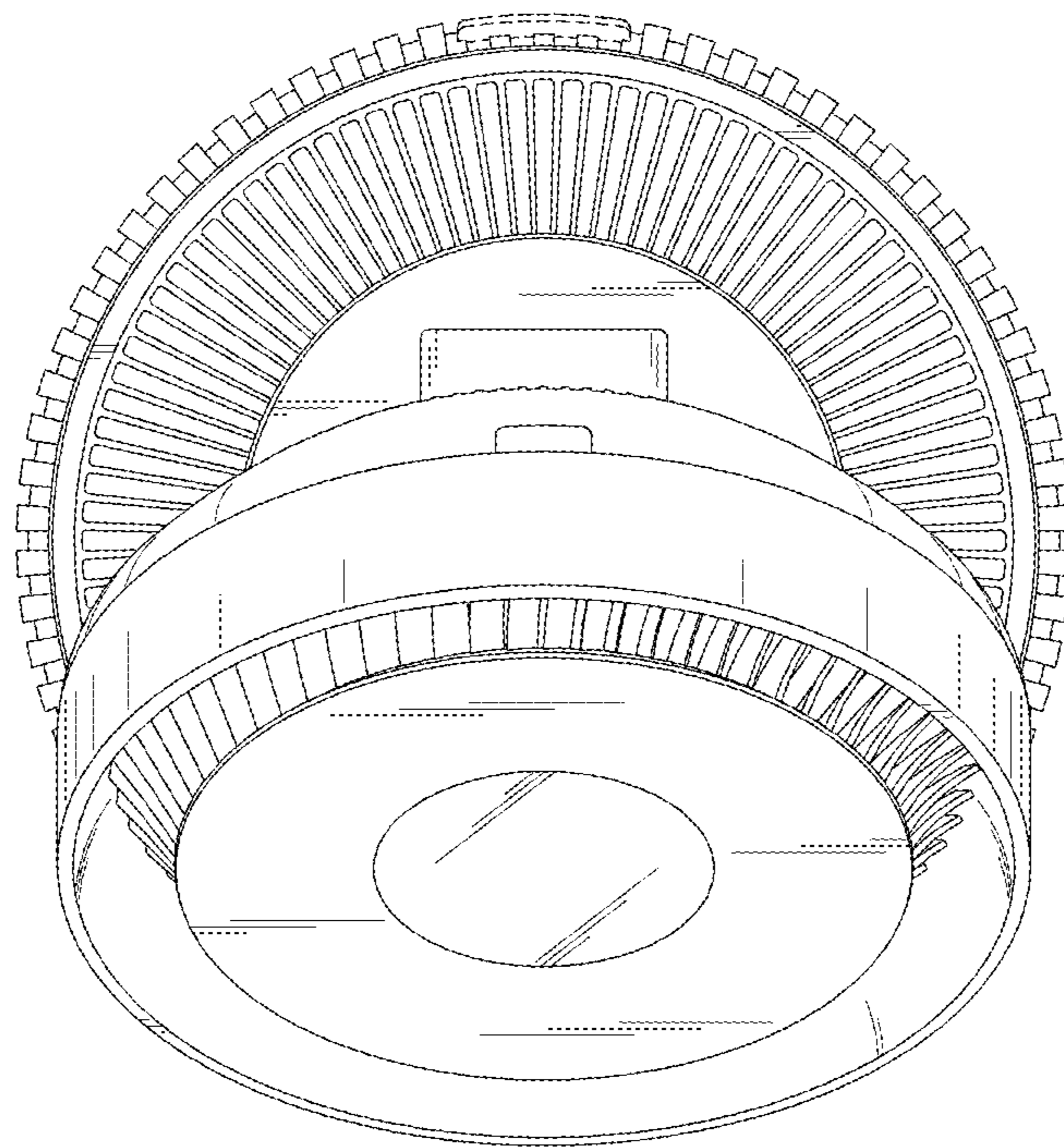


FIG. 14

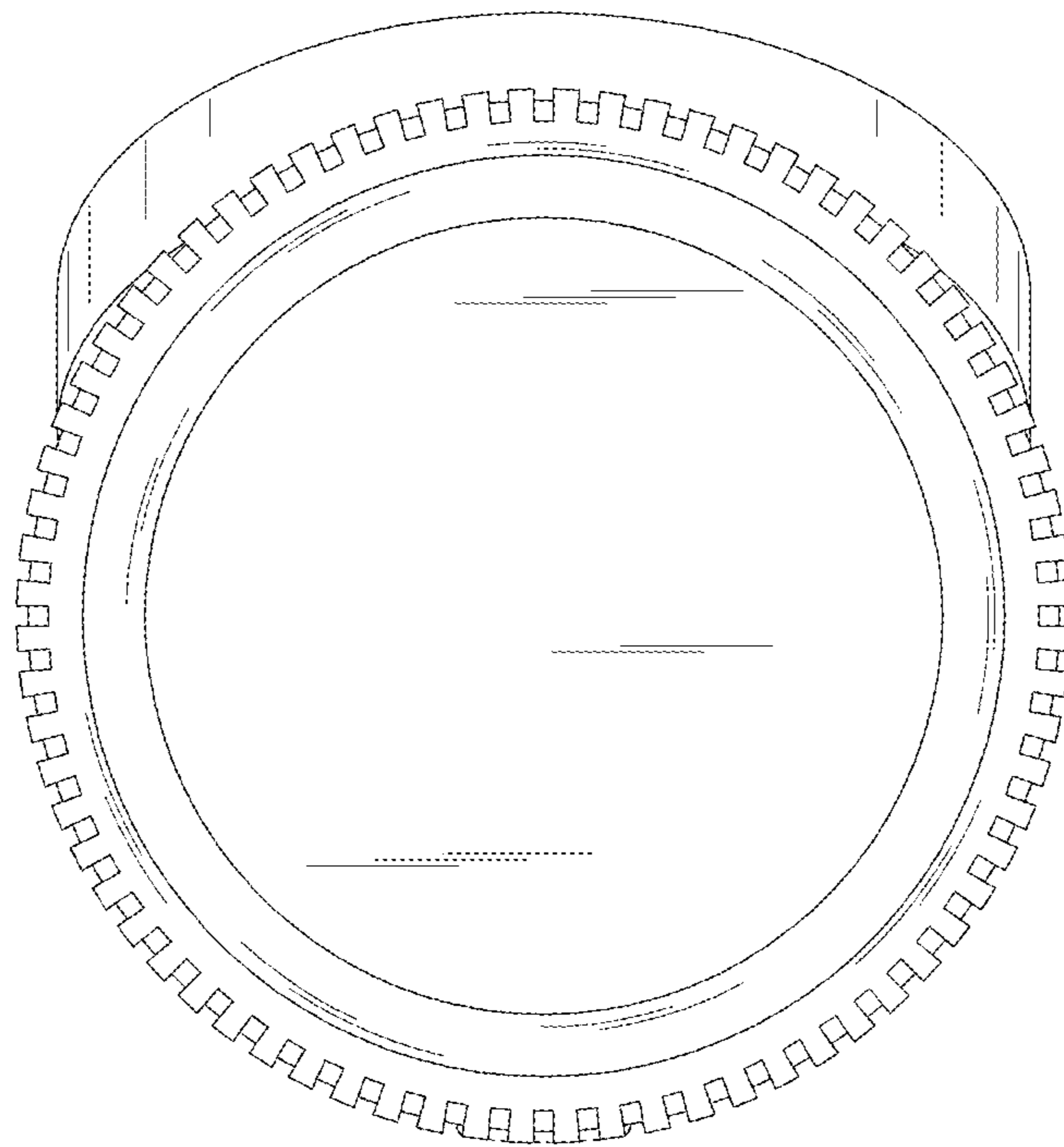


FIG. 15

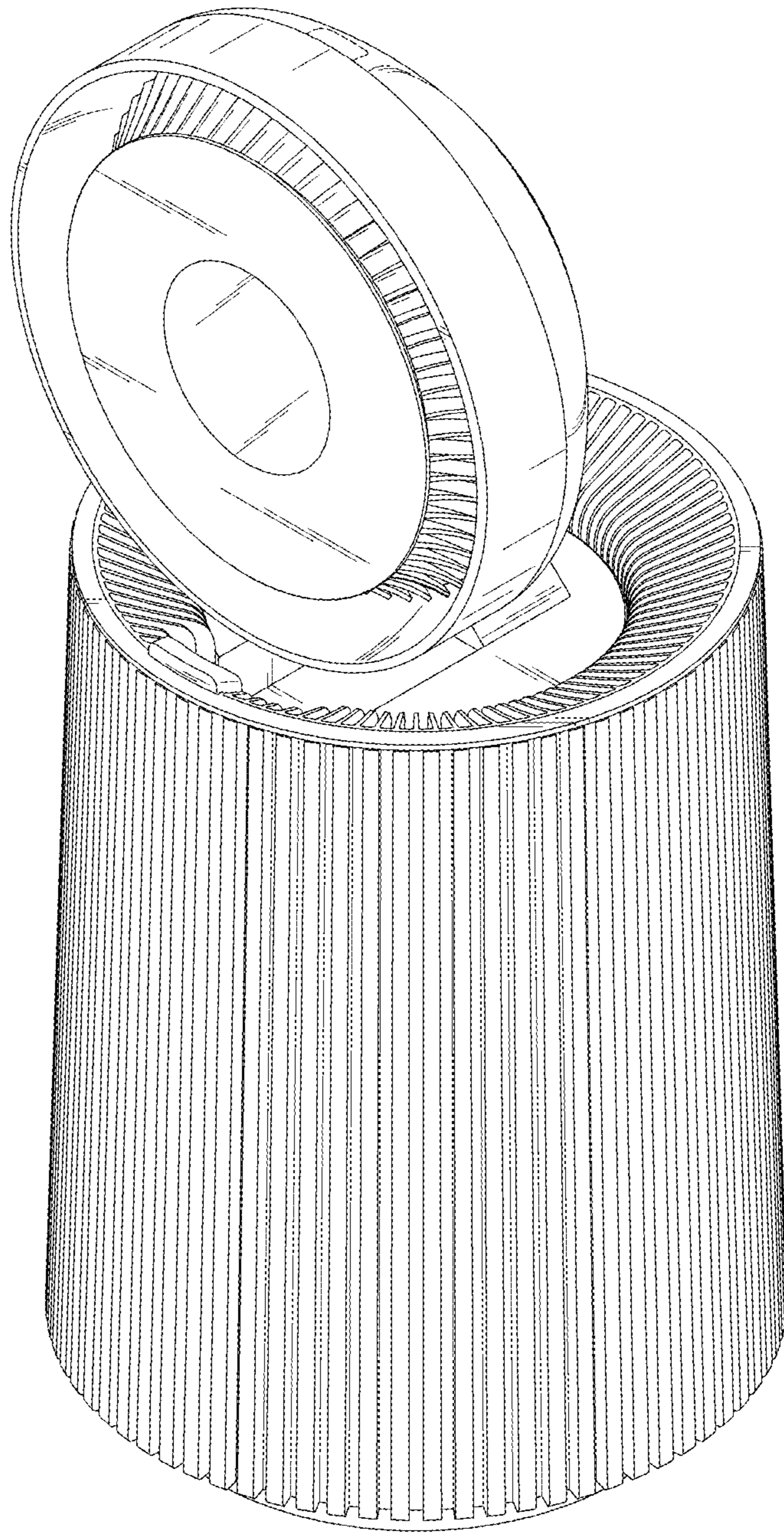


FIG. 16

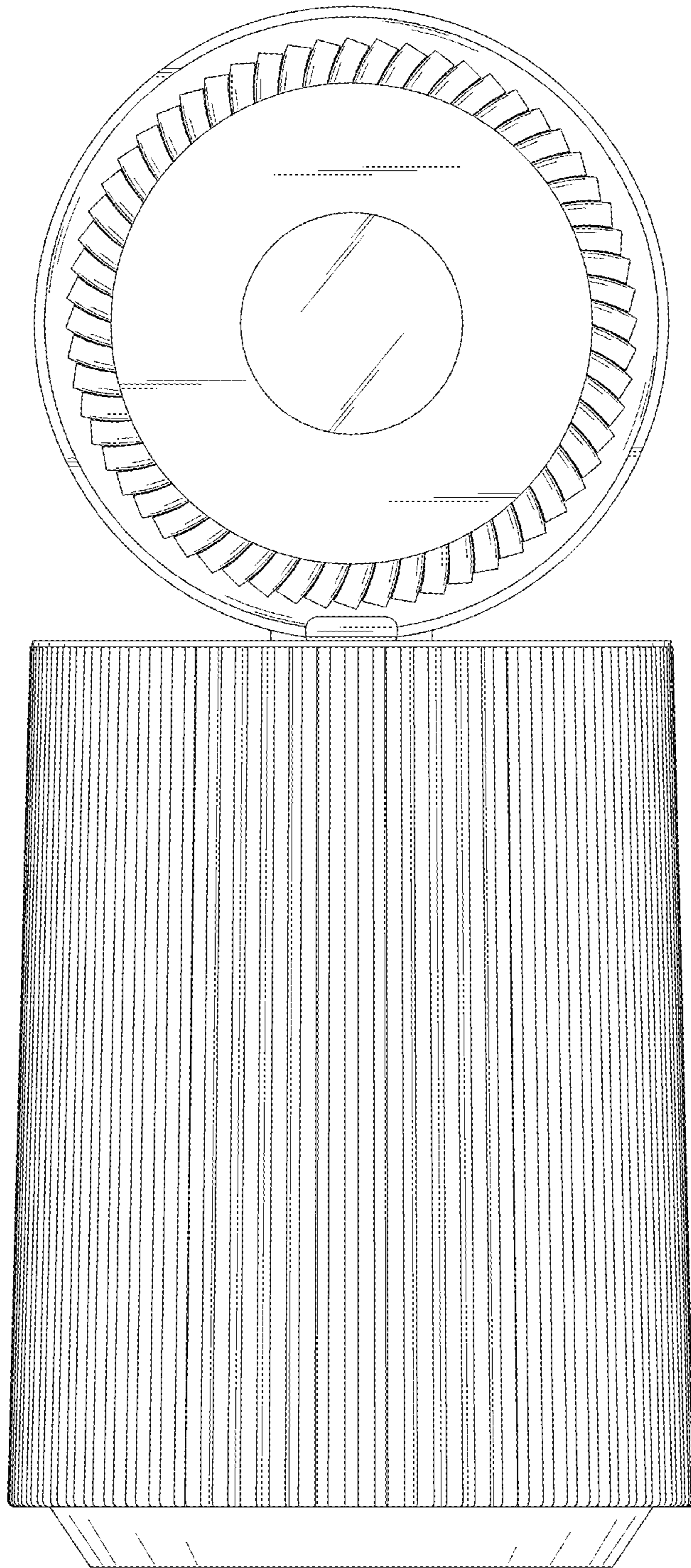


FIG. 17

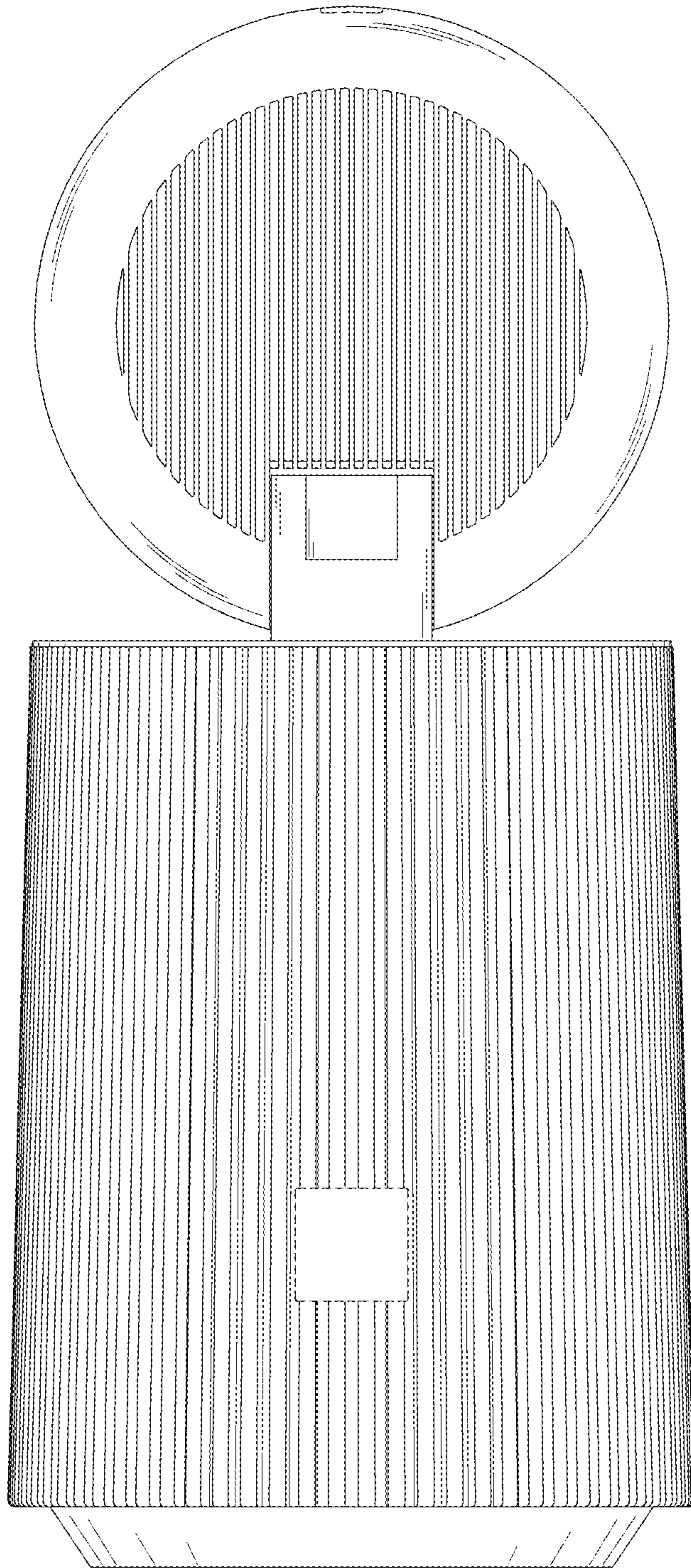


FIG. 18

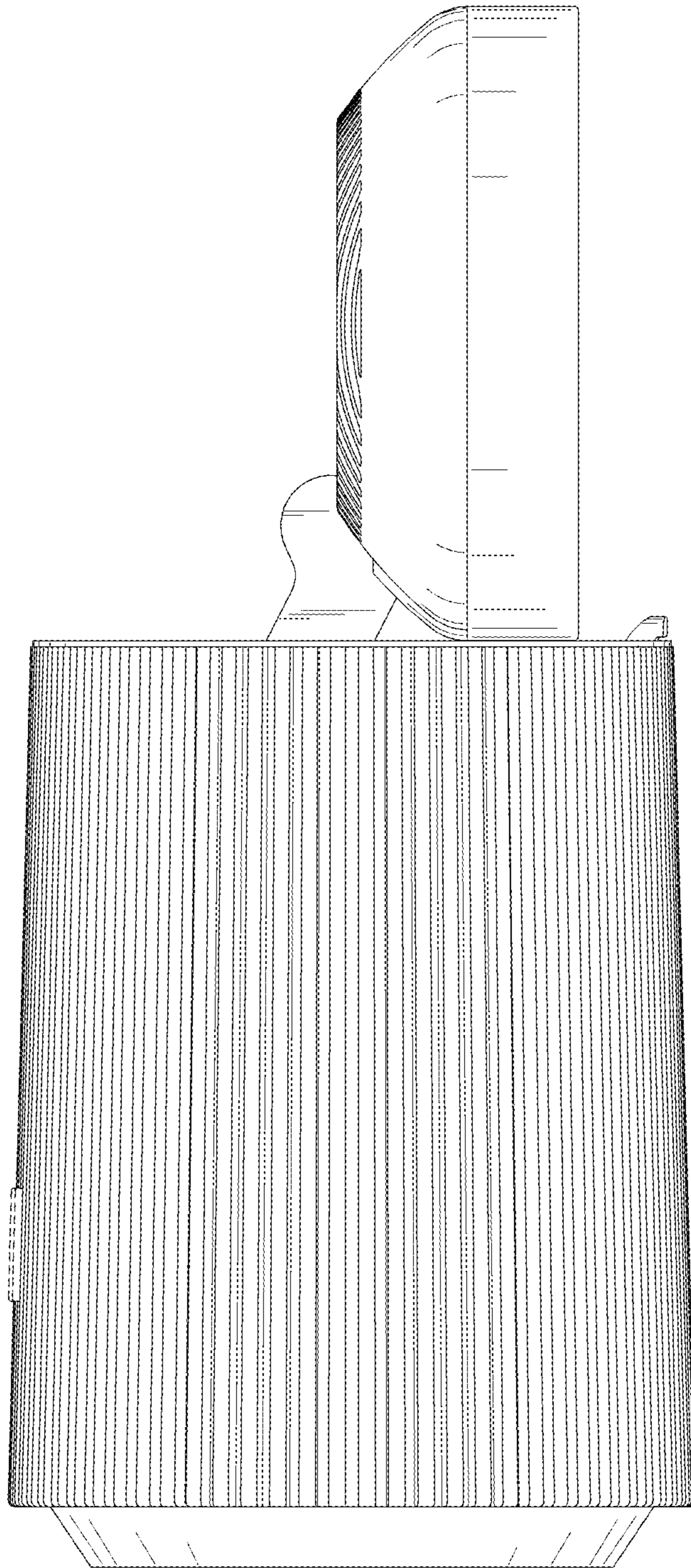


FIG. 19

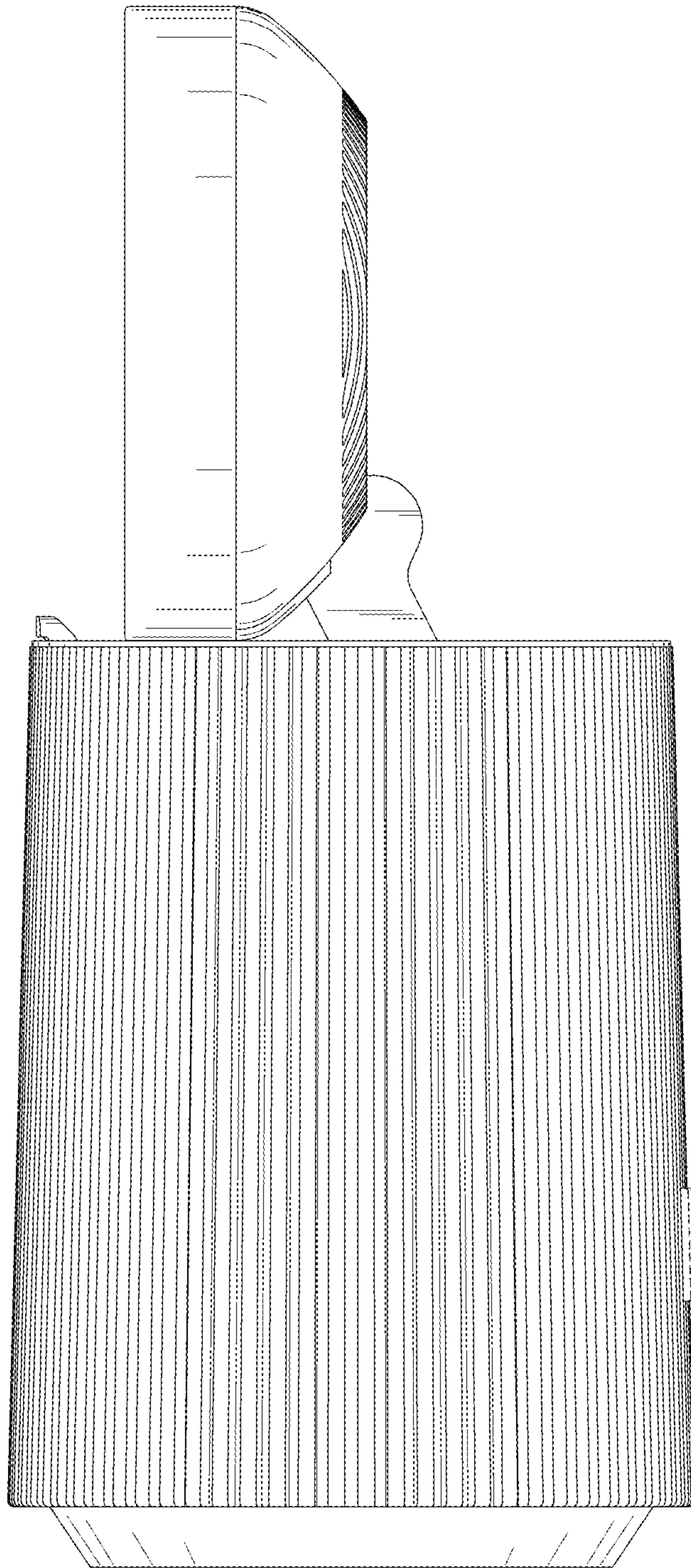


FIG. 20

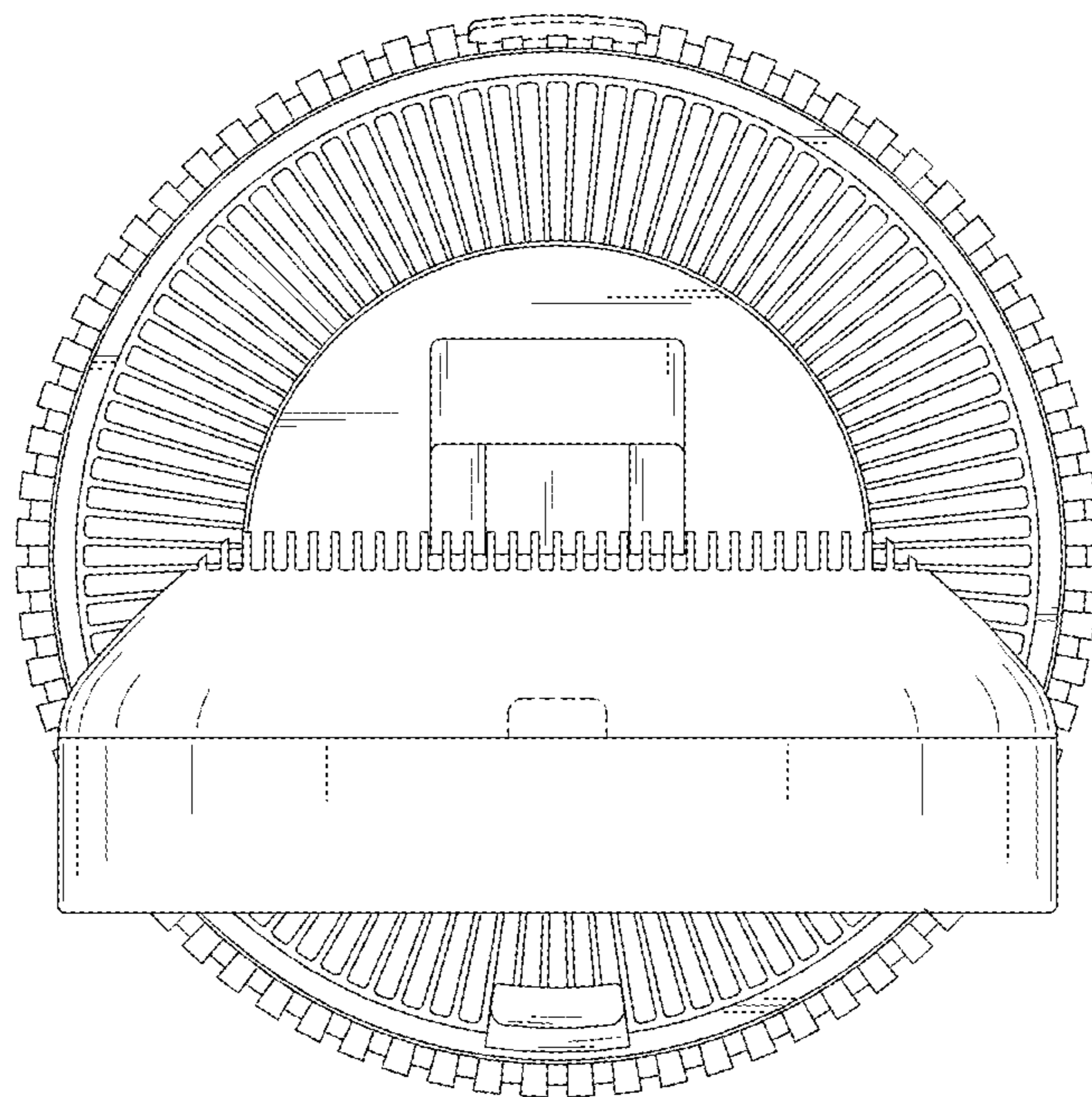


FIG. 21

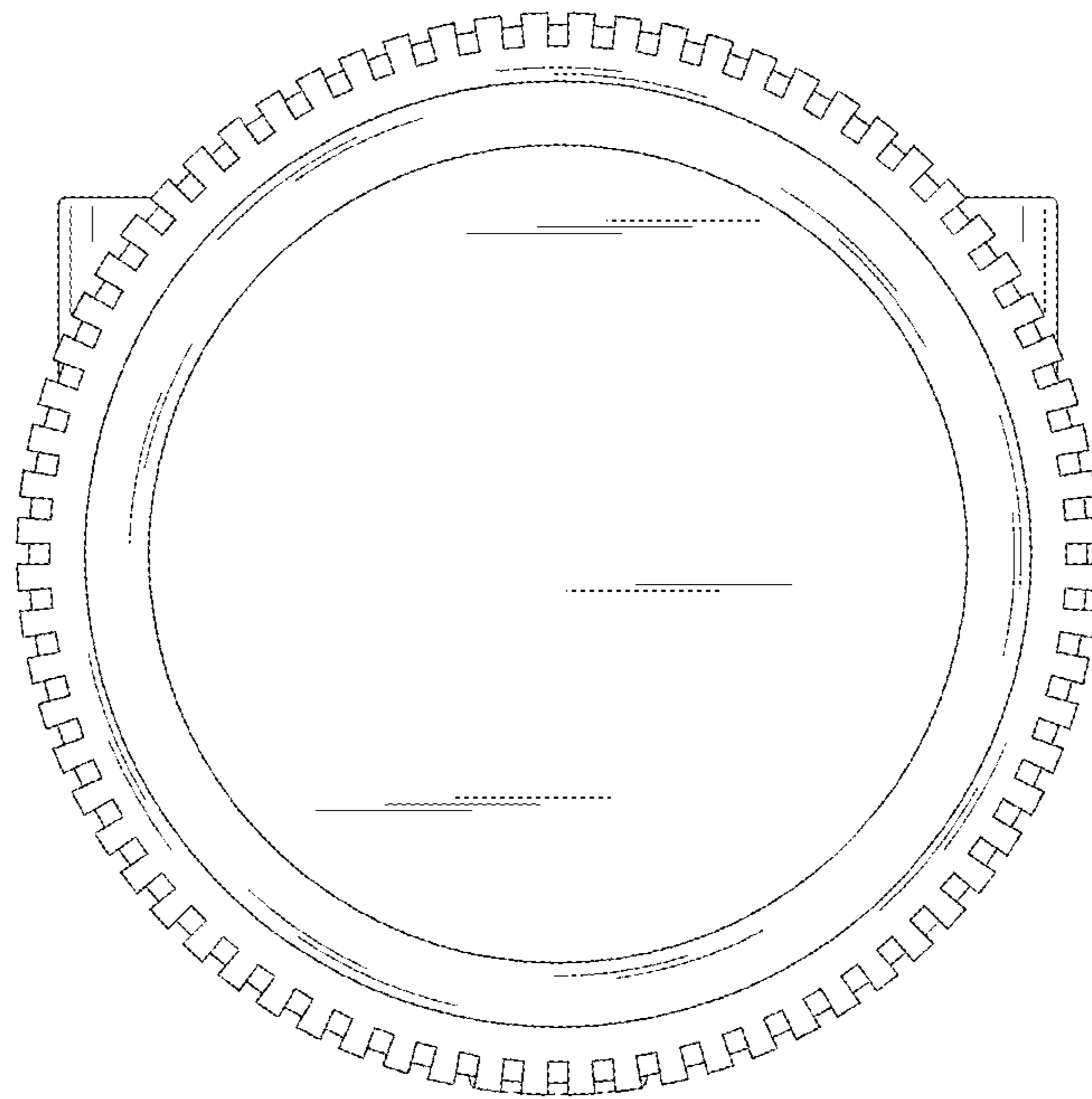


FIG. 22

