

US00D967373S

(12) **United States Design Patent**
Han et al.

(10) **Patent No.:** **US D967,373 S**

(45) **Date of Patent:** **** *Oct. 18, 2022**

(54) **AIR PURIFIER**

(71) Applicant: **LG ELECTRONICS INC.**, Seoul (KR)

(72) Inventors: **Sungkyong Han**, Seoul (KR); **Sehwan Bae**, Seoul (KR); **Myungwhoon Lee**, Seoul (KR); **Kangeui Cho**, Seoul (KR); **Jiug Ha**, Seoul (KR)

(73) Assignee: **LG ELECTRONICS INC.**, Seoul (KR)

(*) Notice: This patent is subject to a terminal disclaimer.

(**) Term: **15 Years**

(21) Appl. No.: **29/721,837**

(22) Filed: **Jan. 23, 2020**

(30) **Foreign Application Priority Data**

Jul. 25, 2019 (KR) 30-2019-0035856

(51) **LOC (13) Cl.** **23-04**

(52) **U.S. Cl.**
USPC **D23/364**

(58) **Field of Classification Search**
USPC .. D7/536, 538, 553.8, 554.2, 602-604, 612;
D9/428, 545, 738, 763-764, 767;
D23/332-335, 337, 342, 352, 355-366,
D23/369-370; D5/1-3, 56-63
CPC .. A61L 9/00; A61L 9/22; B01D 47/00; B01D
47/027; B01D 2259/4508; B03C 3/155;
B03C 3/368; F24F 3/16; F24F 13/20;
F24F 13/28
See application file for complete search history.

(56) **References Cited**

U.S. PATENT DOCUMENTS

D652,634 S * 1/2012 Leimbach D5/60
D805,622 S * 12/2017 Lee D23/364

D818,096 S * 5/2018 Cho D23/364
D818,097 S * 5/2018 Cho D23/364
D818,098 S * 5/2018 Cho D23/364
D829,313 S * 9/2018 Cho B01D 46/0047
D23/364
D829,314 S * 9/2018 Cho D23/364
D832,414 S * 10/2018 Sharma B01D 53/0415
D23/364
D941,980 S * 1/2022 Zhang D23/364
D942,604 S * 2/2022 Yang D23/364
D943,072 S * 2/2022 Hu D23/356
D944,959 S * 3/2022 Wang D23/364
D947,341 S * 3/2022 Xia D23/364
D948,016 S * 4/2022 Yoon D23/364

(Continued)

Primary Examiner — Karen S Acker
Assistant Examiner — Jonathan E Fiencke
(74) *Attorney, Agent, or Firm* — Birch, Stewart, Kolasch & Birch, LLP

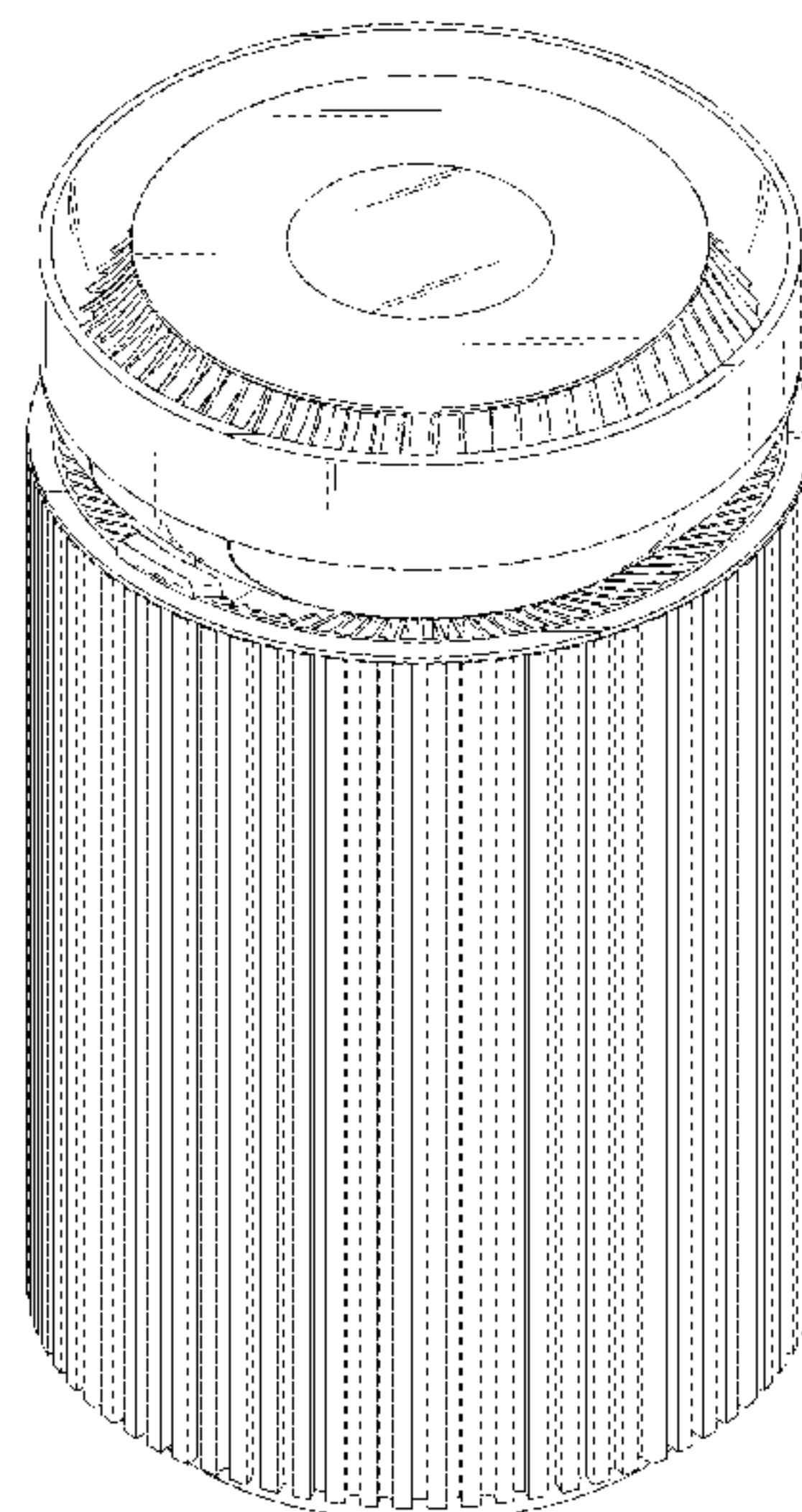
(57) **CLAIM**

We claim the ornamental design for an air purifier, as shown and described.

DESCRIPTION

FIG. 1 is a perspective view of an air purifier showing the new design;
FIG. 2 is a front elevation view thereof;
FIG. 3 is a rear elevation view thereof;
FIG. 4 is a left-side elevation view thereof;
FIG. 5 is a right-side elevation view thereof;
FIG. 6 is a top plan view thereof;
FIG. 7 is a bottom plan view thereof; and,
FIG. 8 is a partial perspective view thereof showing the air purifier in a state of use.
The evenly spaced broken lines depict features of the air purifier that form no part of the claimed design. The dot dash dot broken line in FIG. 8 denotes the boundary of the partial view and forms no part of the claimed design.

1 Claim, 8 Drawing Sheets



(56)

References Cited

U.S. PATENT DOCUMENTS

D950,034	S	*	4/2022	Peng	D23/364
D951,412	S	*	5/2022	Han	D23/364
D952,817	S	*	5/2022	Han	D23/364
D954,241	S	*	6/2022	Han	D23/364
D957,607	S	*	7/2022	Han	D23/364
D957,609	S	*	7/2022	Han	D23/364
2018/0256770	A1	*	9/2018	Jang	A61L 9/12
2019/0264948	A1	*	8/2019	Jung	B01D 46/0047
2020/0188827	A1	*	6/2020	Yang	B01D 53/0415
2021/0278097	A1	*	9/2021	Min	F24F 13/20
2022/0011009	A1	*	1/2022	Lee	F24F 13/28
2022/0011011	A1	*	1/2022	Yang	F24F 13/082

* cited by examiner

FIG. 1

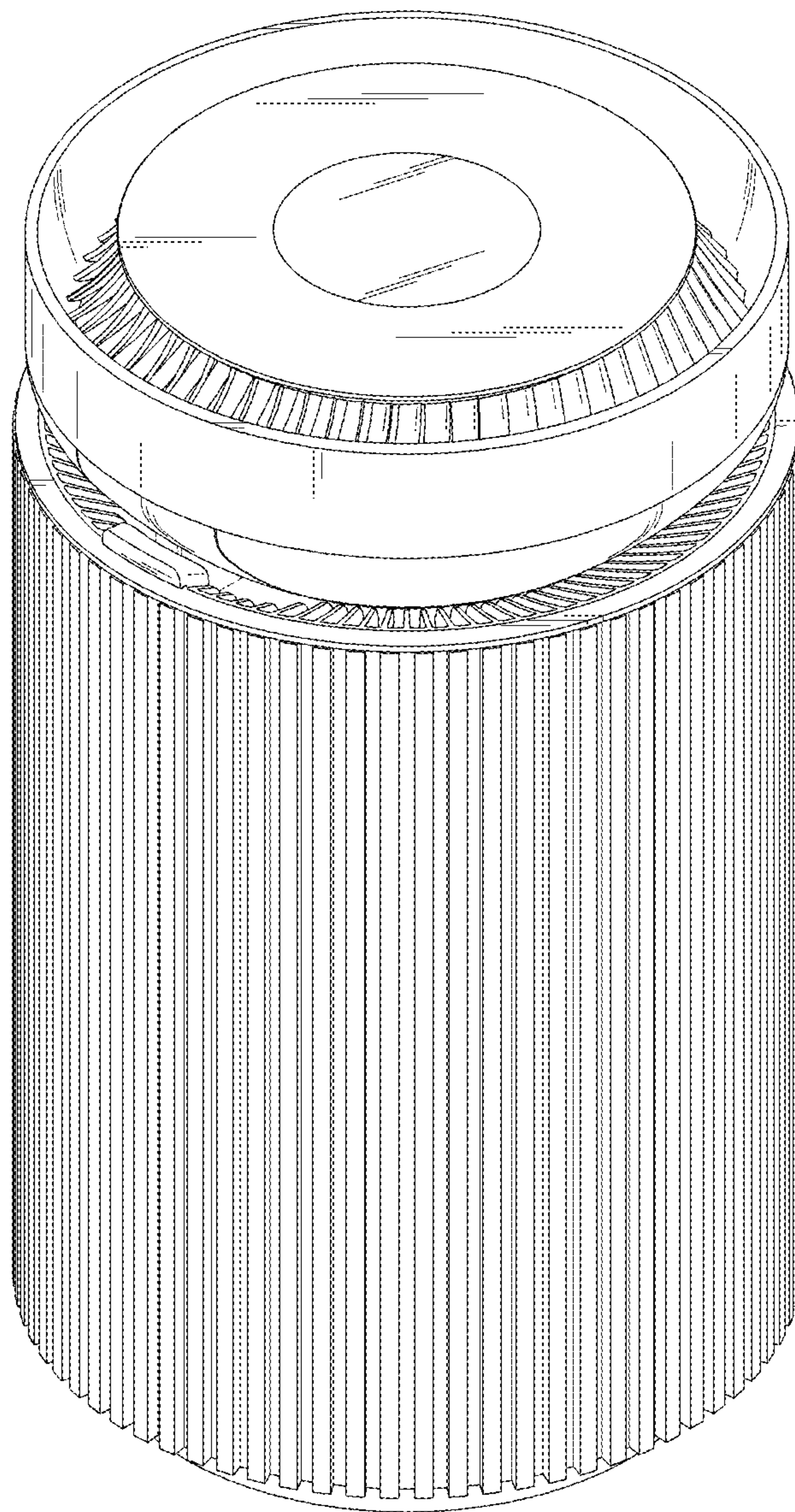


FIG. 2

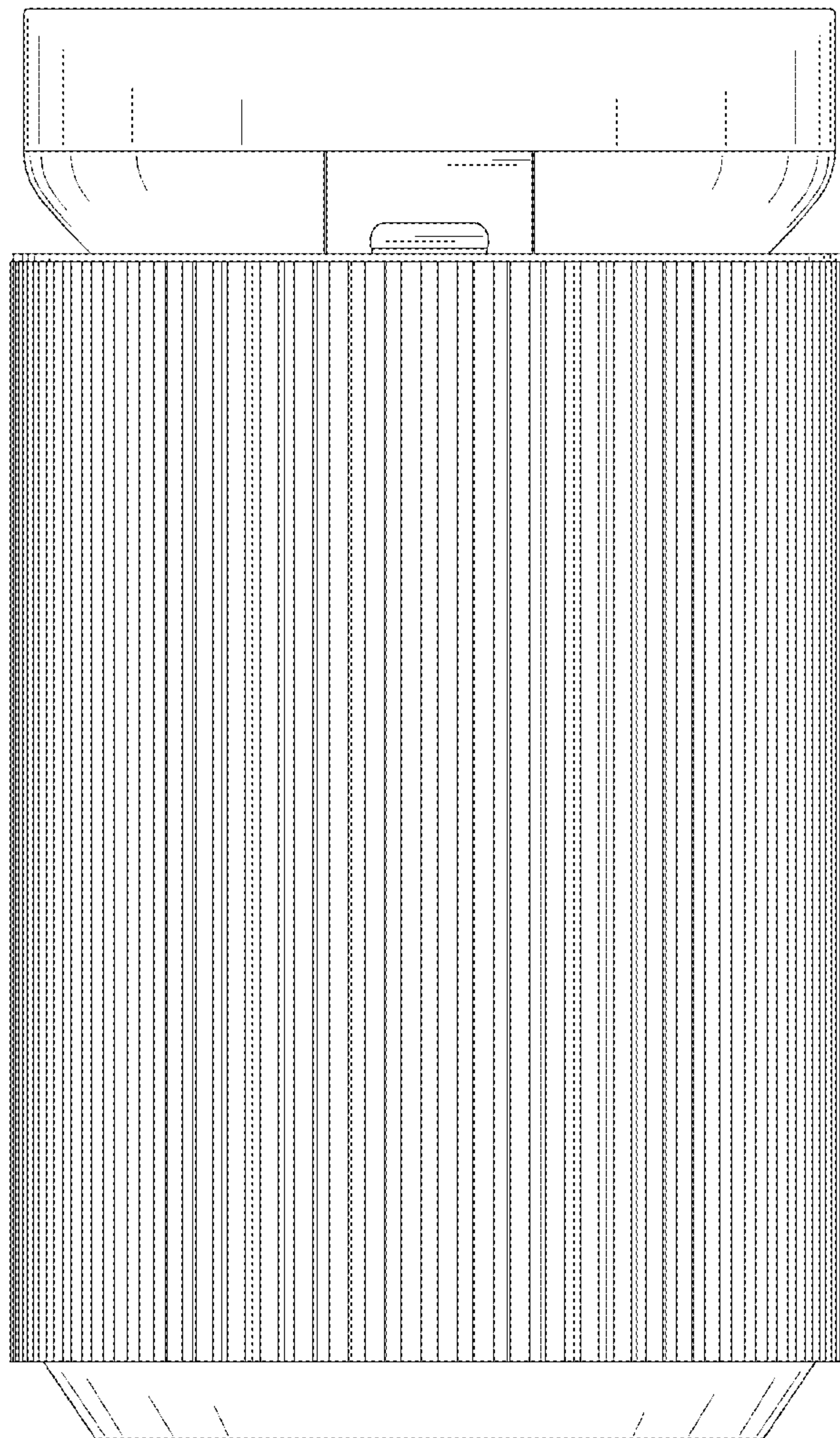


FIG. 3

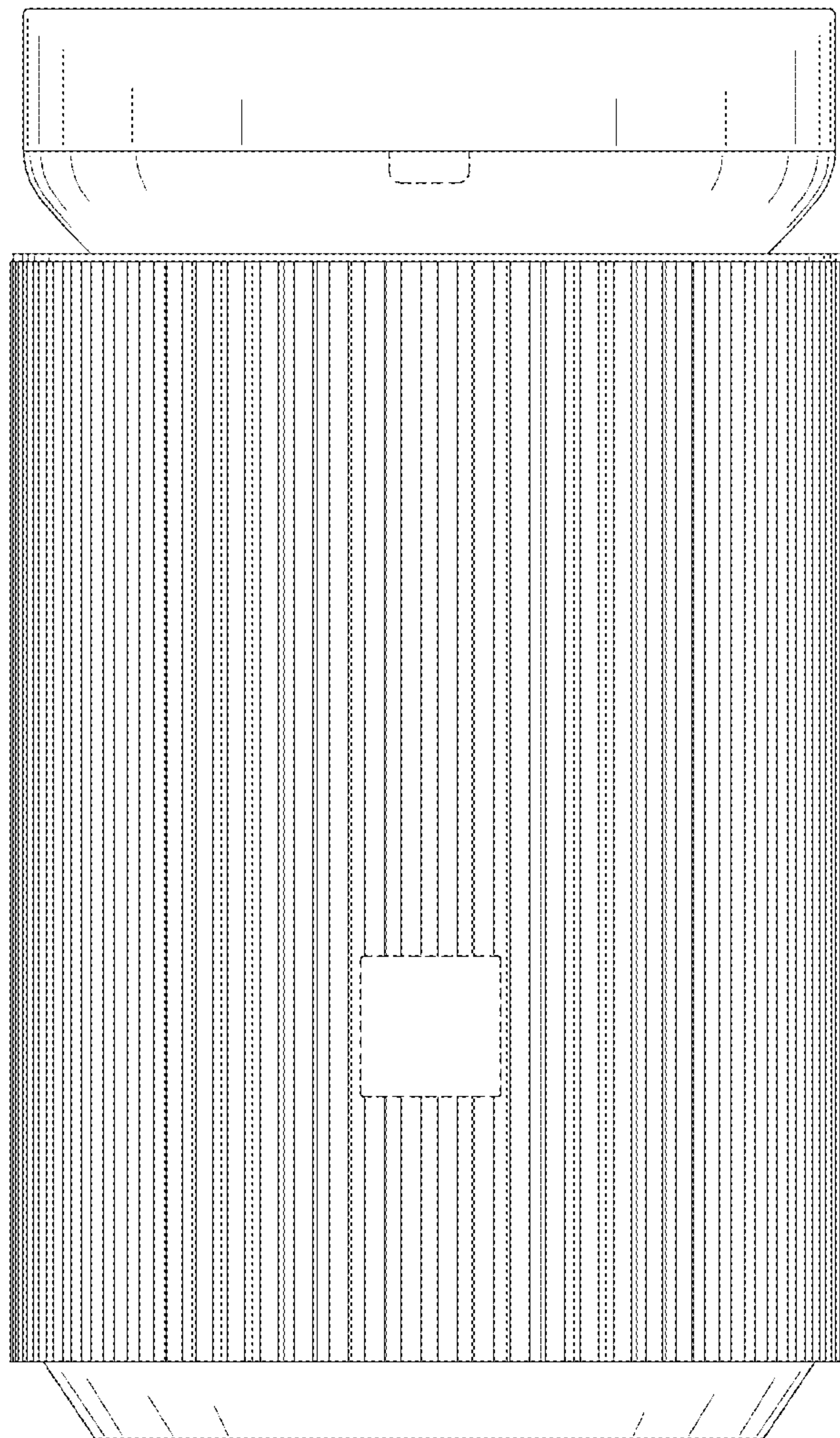


FIG. 4

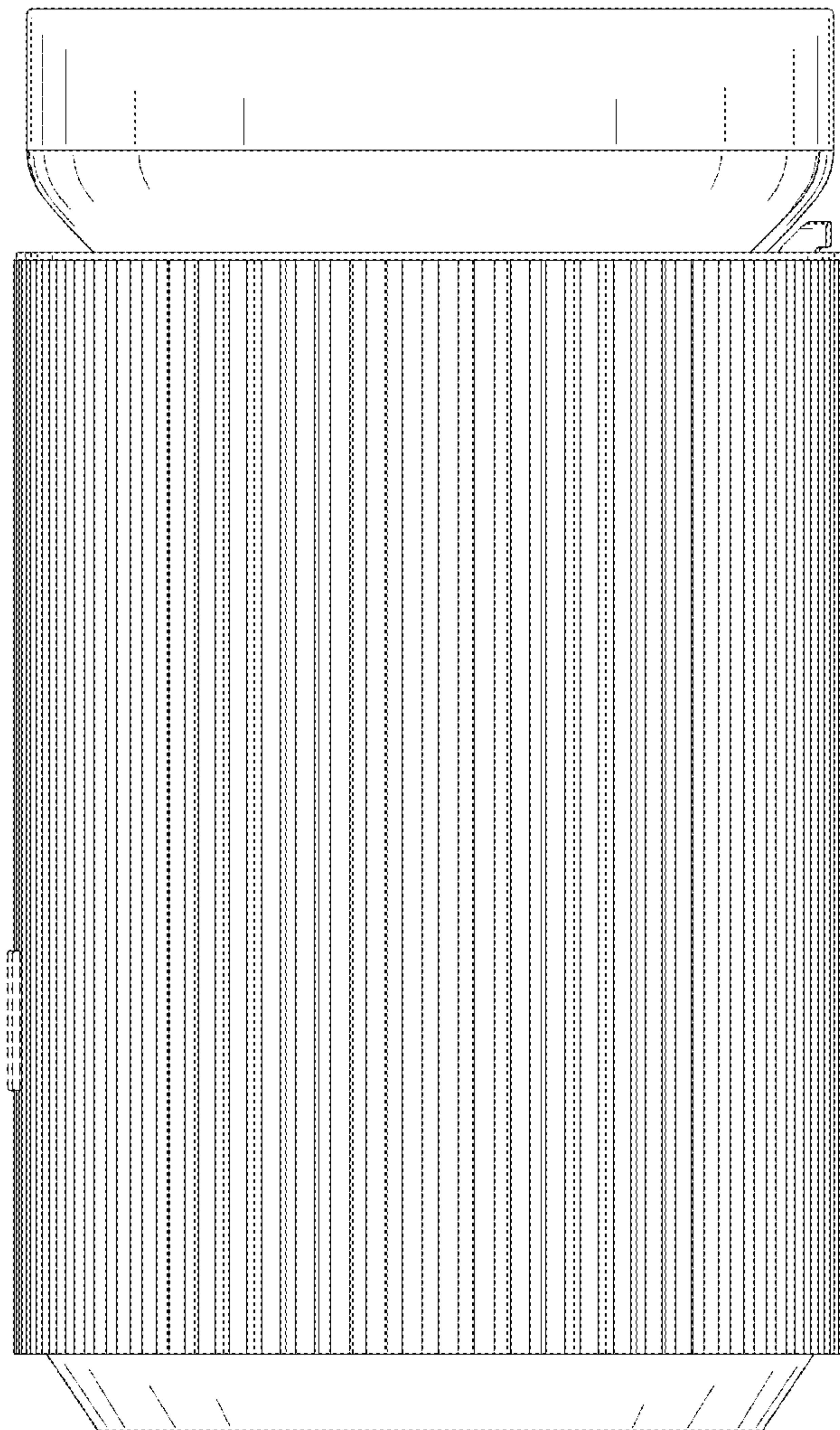


FIG. 5

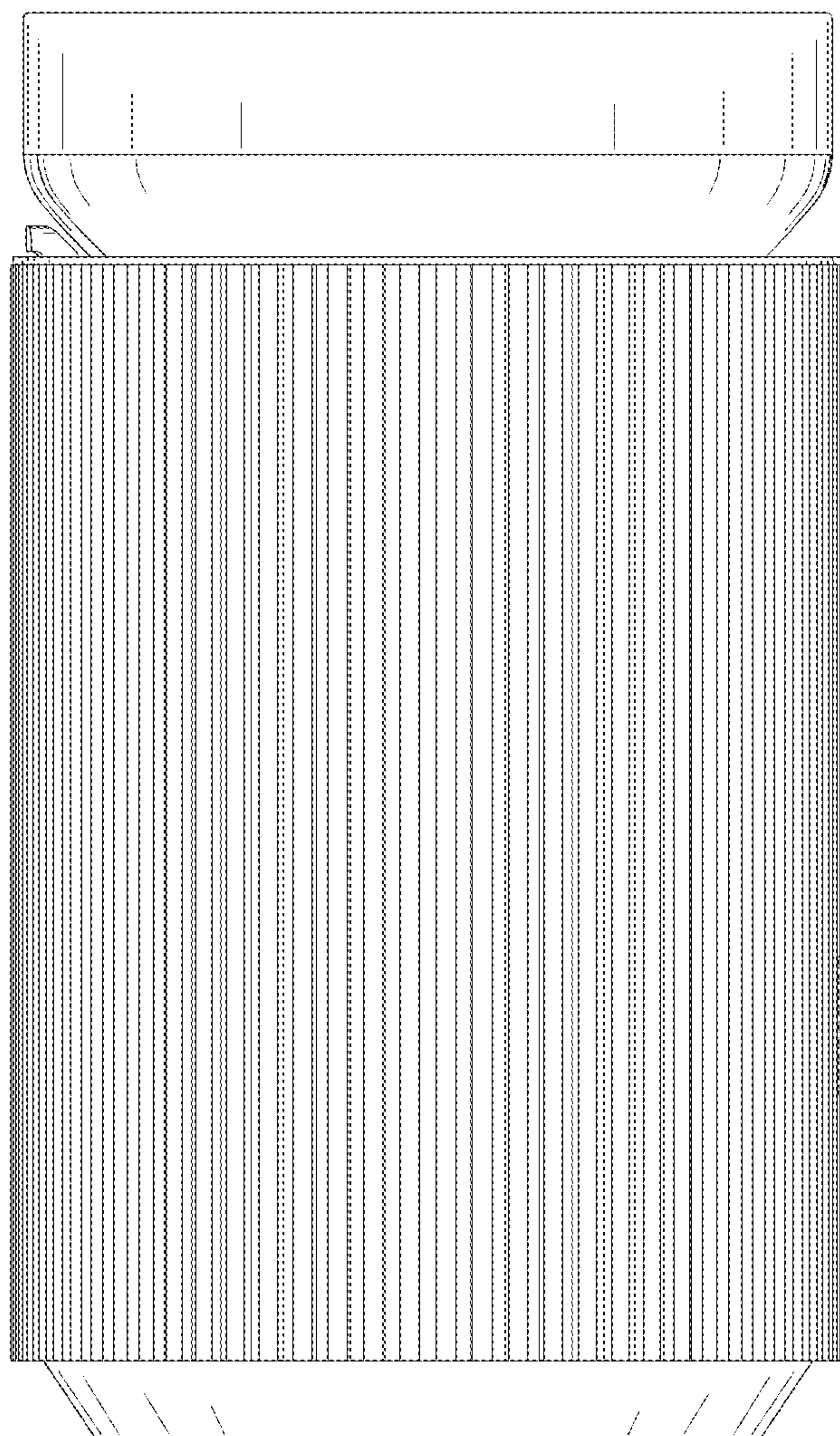


FIG. 6

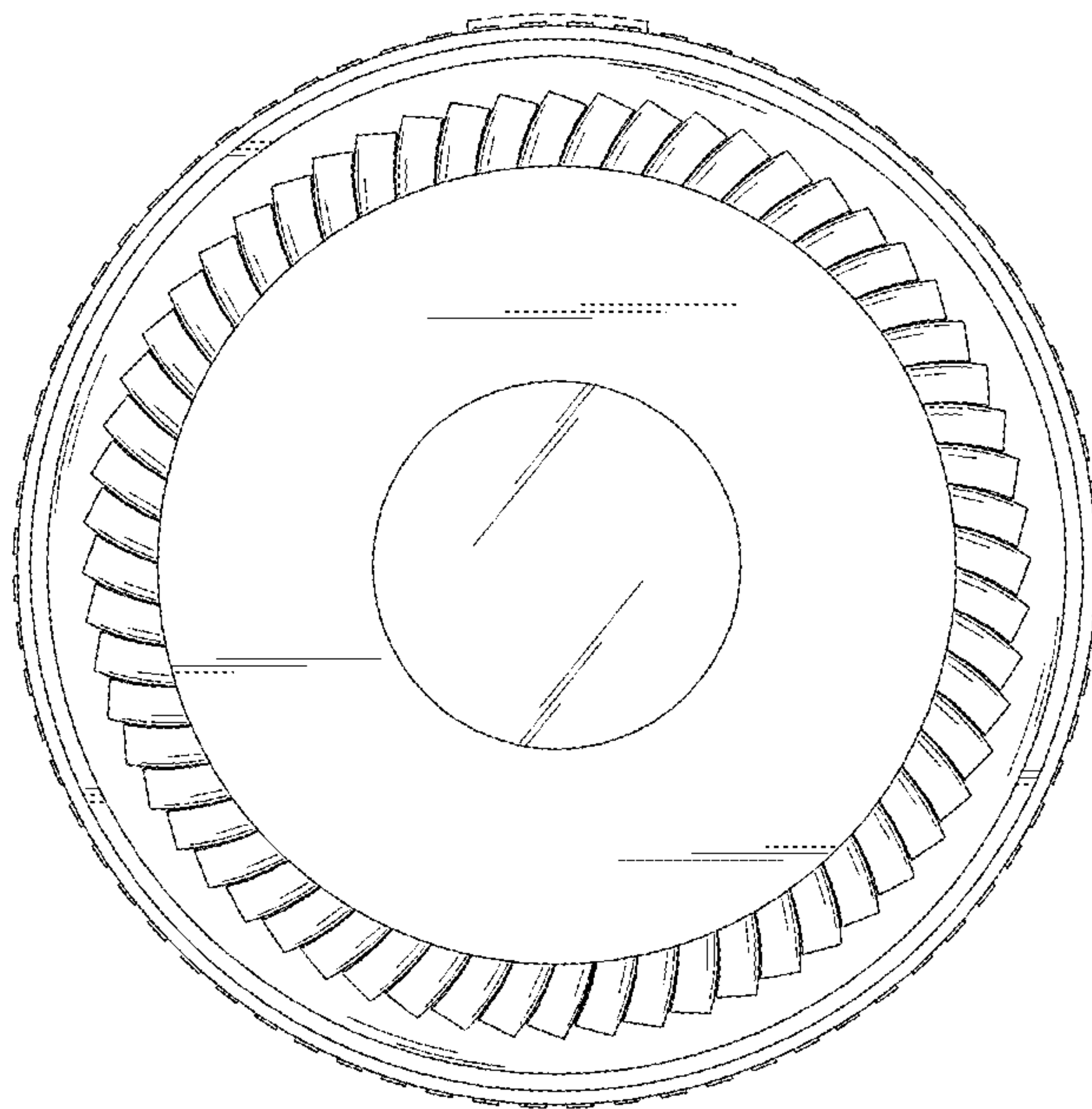


FIG. 7

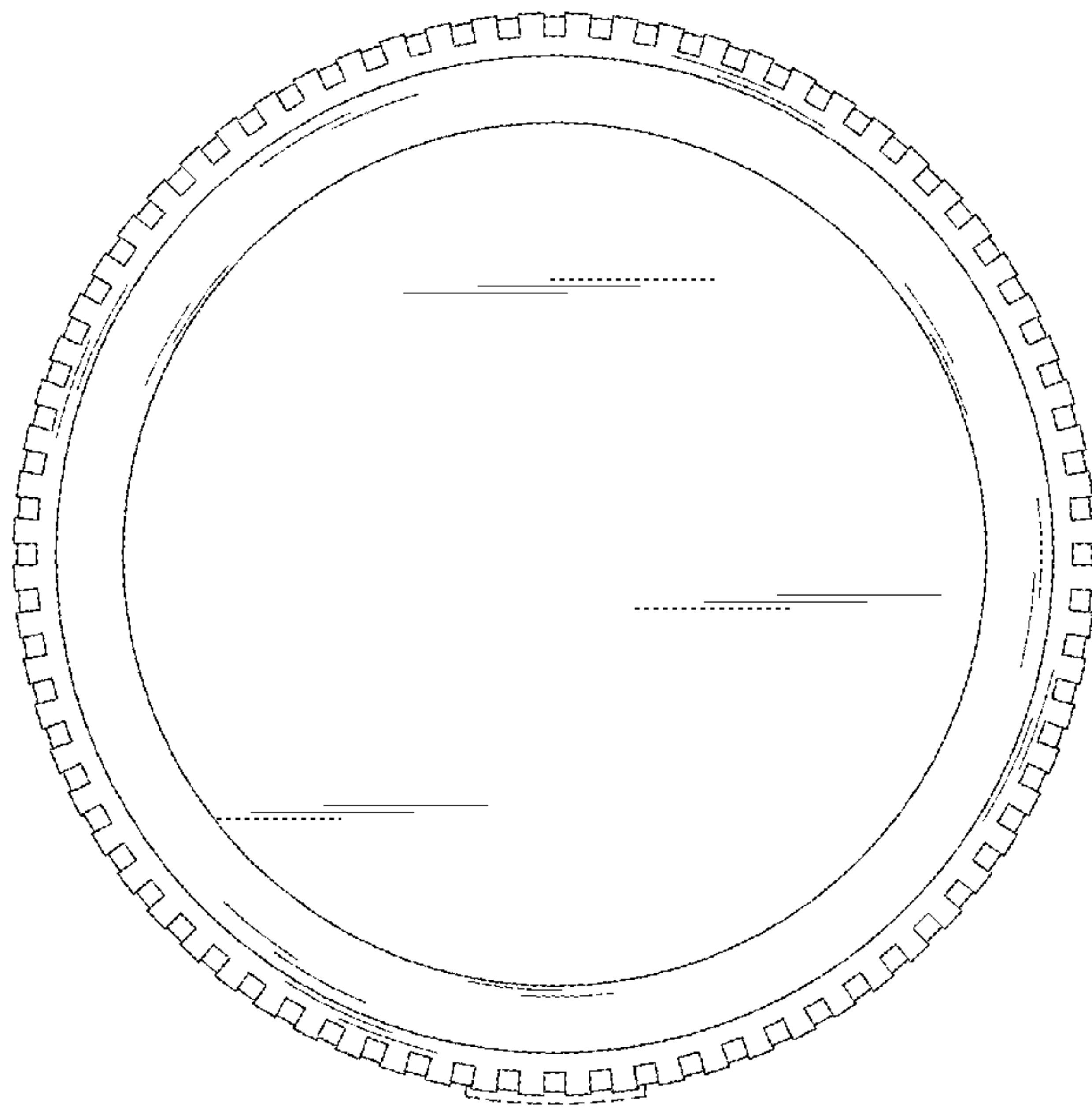


FIG. 8

