



US00D967371S

(12) **United States Design Patent**
Han et al.

(10) **Patent No.:** **US D967,371 S**
(45) **Date of Patent:** **** Oct. 18, 2022**

(54) **AIR PURIFIER**
(71) Applicant: **LG ELECTRONICS INC., Seoul (KR)**
(72) Inventors: **Sungkyong Han, Seoul (KR); Sehwan Bae, Seoul (KR); Myungwhoon Lee, Seoul (KR); Kangeui Cho, Seoul (KR); Jiug Ha, Seoul (KR)**
(73) Assignee: **LG ELECTRONICS INC., Seoul (KR)**
(**) Term: **15 Years**

D818,096 S * 5/2018 Cho D23/364
D818,097 S * 5/2018 Cho D23/364
D818,098 S * 5/2018 Cho D23/364
D829,313 S * 9/2018 Cho B01D 46/0047
D23/364
D829,314 S * 9/2018 Cho D23/364
D832,414 S * 10/2018 Sharma B01D 53/0415
D23/364
D941,980 S * 1/2022 Zhang D23/364
D942,604 S * 2/2022 Yang D23/364
D943,072 S * 2/2022 Hu D23/356
D944,959 S * 3/2022 Wang D23/364
D947,341 S * 3/2022 Xia D23/364
D948,016 S * 4/2022 Yoon D23/364
D950,034 S * 4/2022 Peng D23/364

(Continued)

(21) Appl. No.: **29/721,825**
(22) Filed: **Jan. 23, 2020**

Primary Examiner — Karen S Acker
Assistant Examiner — Jonathan E Fiencke
(74) *Attorney, Agent, or Firm* — Birch, Stewart, Kolasch & Birch, LLP

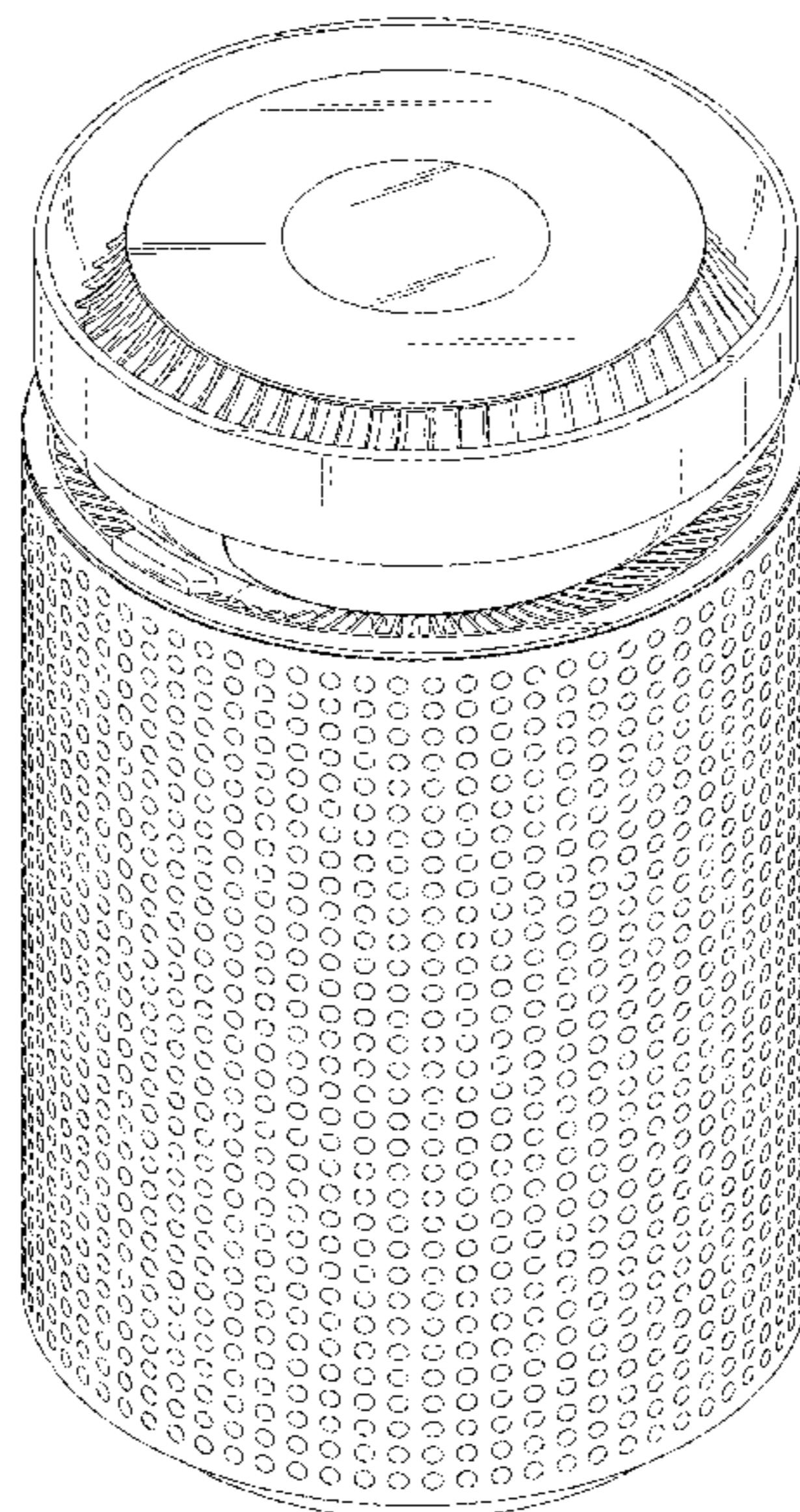
(30) **Foreign Application Priority Data**
Jul. 25, 2019 (KR) 30-2019-0035859
(51) **LOC (13) Cl.** **23-04**
(52) **U.S. Cl.**
USPC **D23/364**
(58) **Field of Classification Search**
USPC .. D7/536, 538, 553.8, 554.2, 602–604, 612;
D9/428, 545, 738, 763–764, 767;
D23/332–335, 337, 342, 352, 355–366,
D23/369–370; D5/1–3, 56–63
CPC .. A61L 9/00; A61L 9/22; B01D 47/00; B01D
47/027; B01D 2259/4508; B03C 3/155;
B03C 3/368; F24F 3/16; F24F 13/20;
F24F 13/28
See application file for complete search history.

(57) **CLAIM**
We claim the ornamental design for an air purifier, as shown and described.

(56) **References Cited**
U.S. PATENT DOCUMENTS
D652,634 S * 1/2012 Leimbach D5/60
D805,622 S * 12/2017 Lee D23/364

DESCRIPTION
FIG. 1 is a perspective view of an air purifier showing the new design;
FIG. 2 is a front elevation view thereof;
FIG. 3 is a rear elevation view thereof;
FIG. 4 is a left-side elevation view thereof;
FIG. 5 is a right-side elevation view thereof;
FIG. 6 is a top plan view thereof;
FIG. 7 is a bottom plan view thereof; and,
FIG. 8 is a partial perspective view thereof showing the air purifier in a state of use.
The evenly spaced broken line features depict portions of the air purifier that form no part of the claimed design. The dot dash dot broken line in FIG. 8 denotes the boundary of the partial view and forms no part of the claimed design.

1 Claim, 8 Drawing Sheets



(56)

References Cited

U.S. PATENT DOCUMENTS

D951,412	S	*	5/2022	Han	D23/364
D952,817	S	*	5/2022	Han	D23/364
D954,241	S	*	6/2022	Han	D23/364
D957,607	S	*	7/2022	Han	D23/364
D957,609	S	*	7/2022	Han	D23/364
2018/0256770	A1	*	9/2018	Jang	A61L 9/12
2019/0264948	A1	*	8/2019	Jung	B01D 46/0047
2020/0188827	A1	*	6/2020	Yang	B01D 53/0415
2021/0278097	A1	*	9/2021	Min	F24F 13/20
2022/0011009	A1	*	1/2022	Lee	F24F 13/28
2022/0011011	A1	*	1/2022	Yang	F24F 13/082

* cited by examiner

FIG. 1

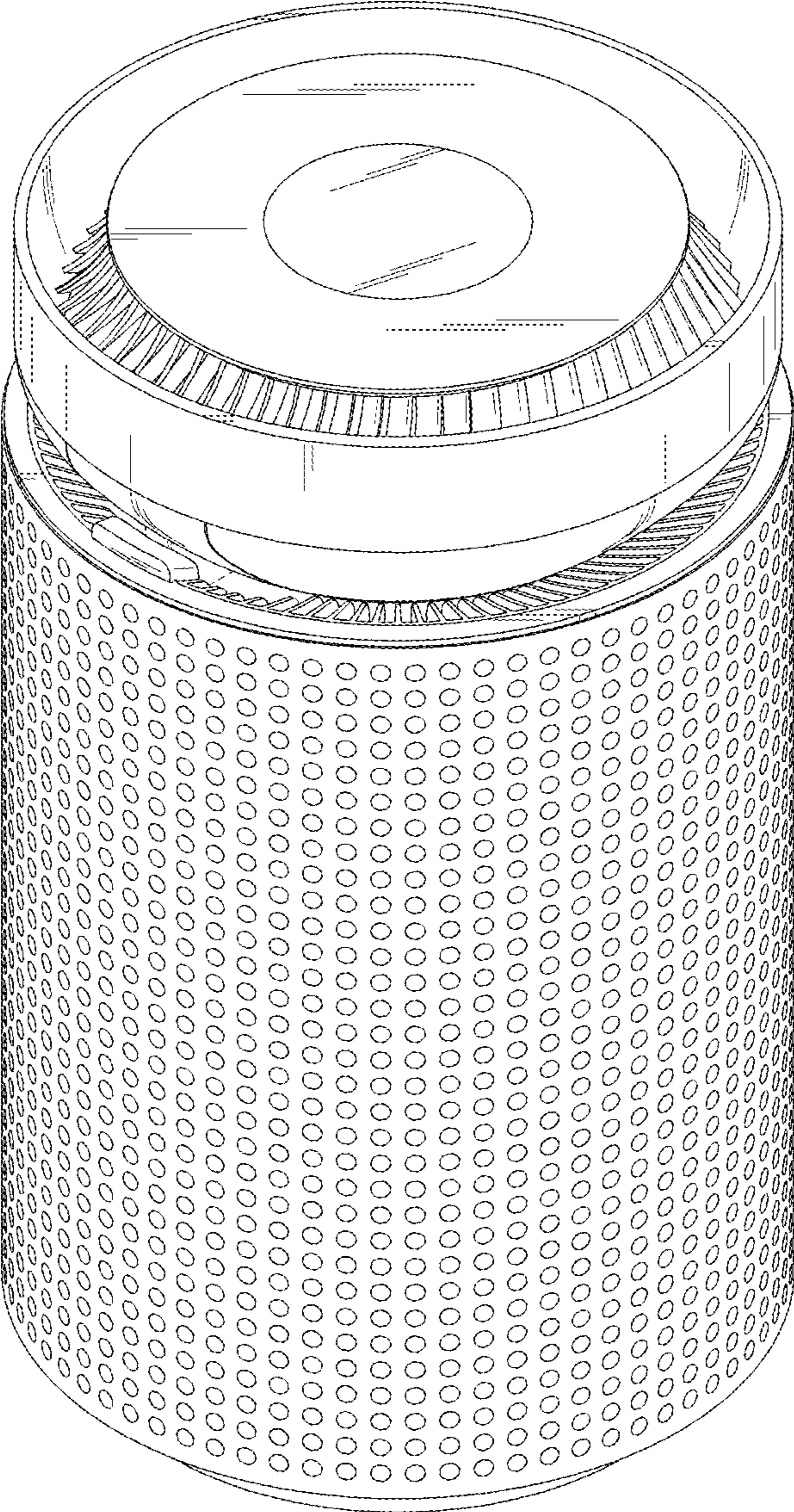


FIG. 2

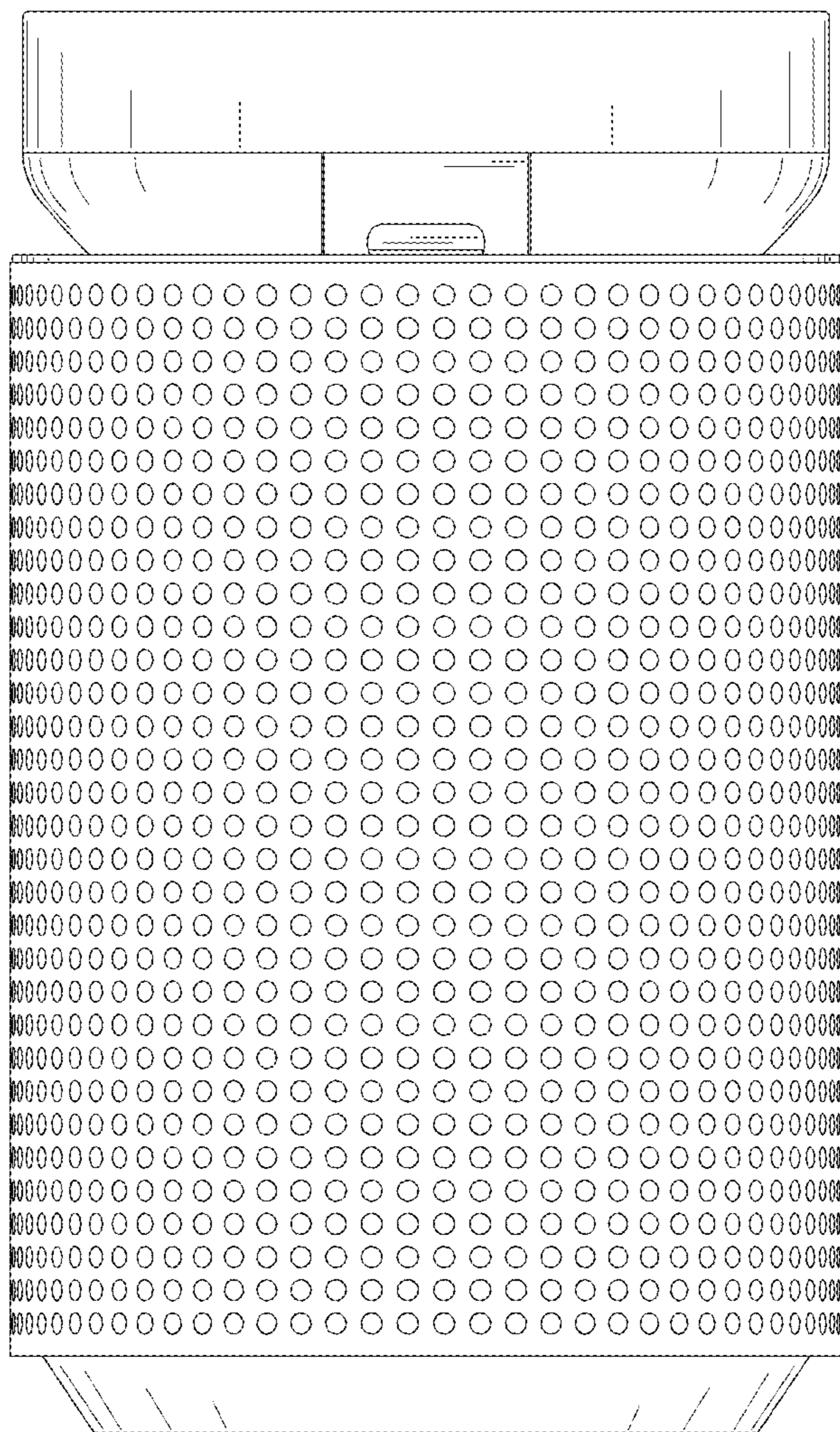


FIG. 3

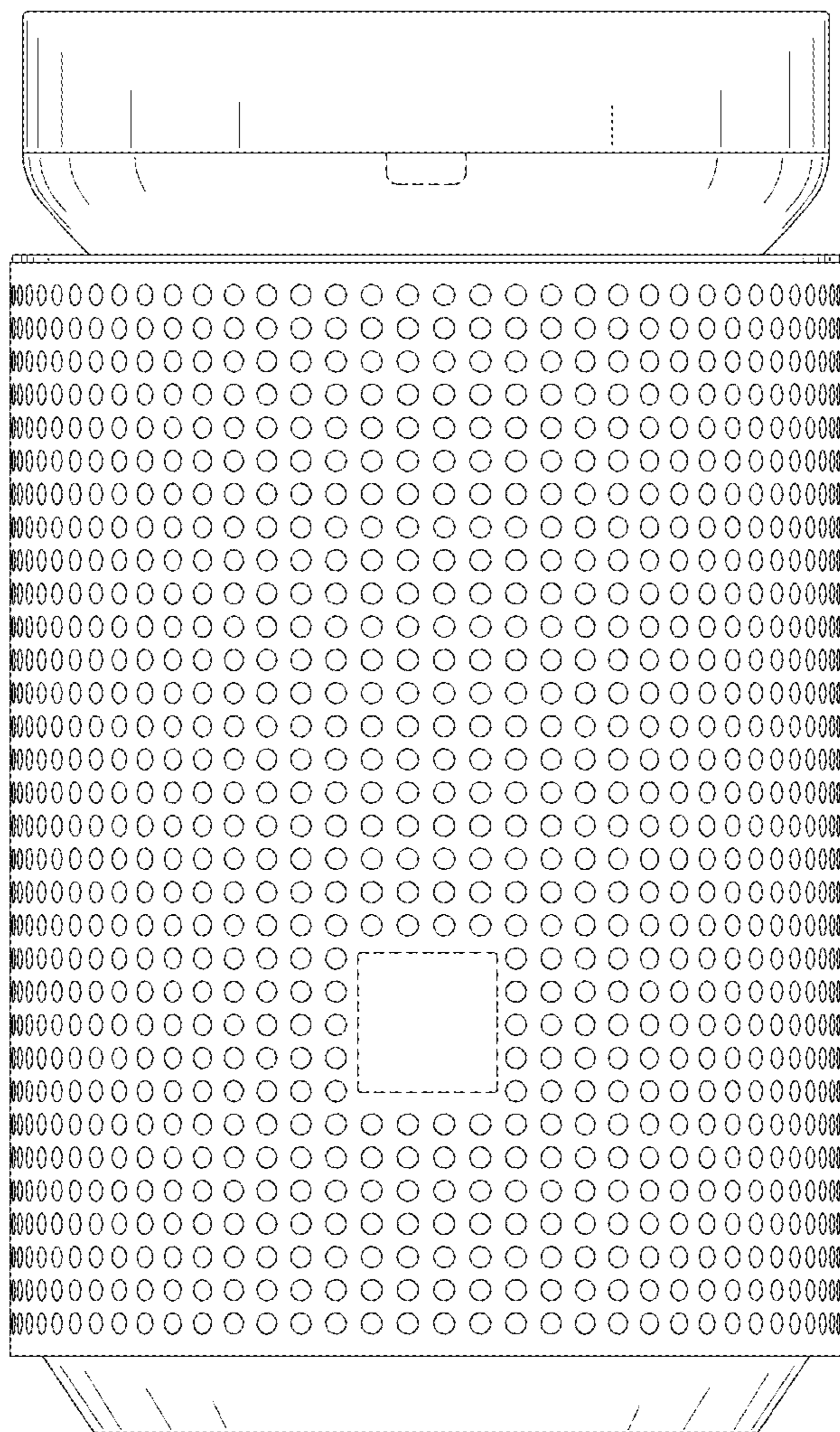


FIG. 4

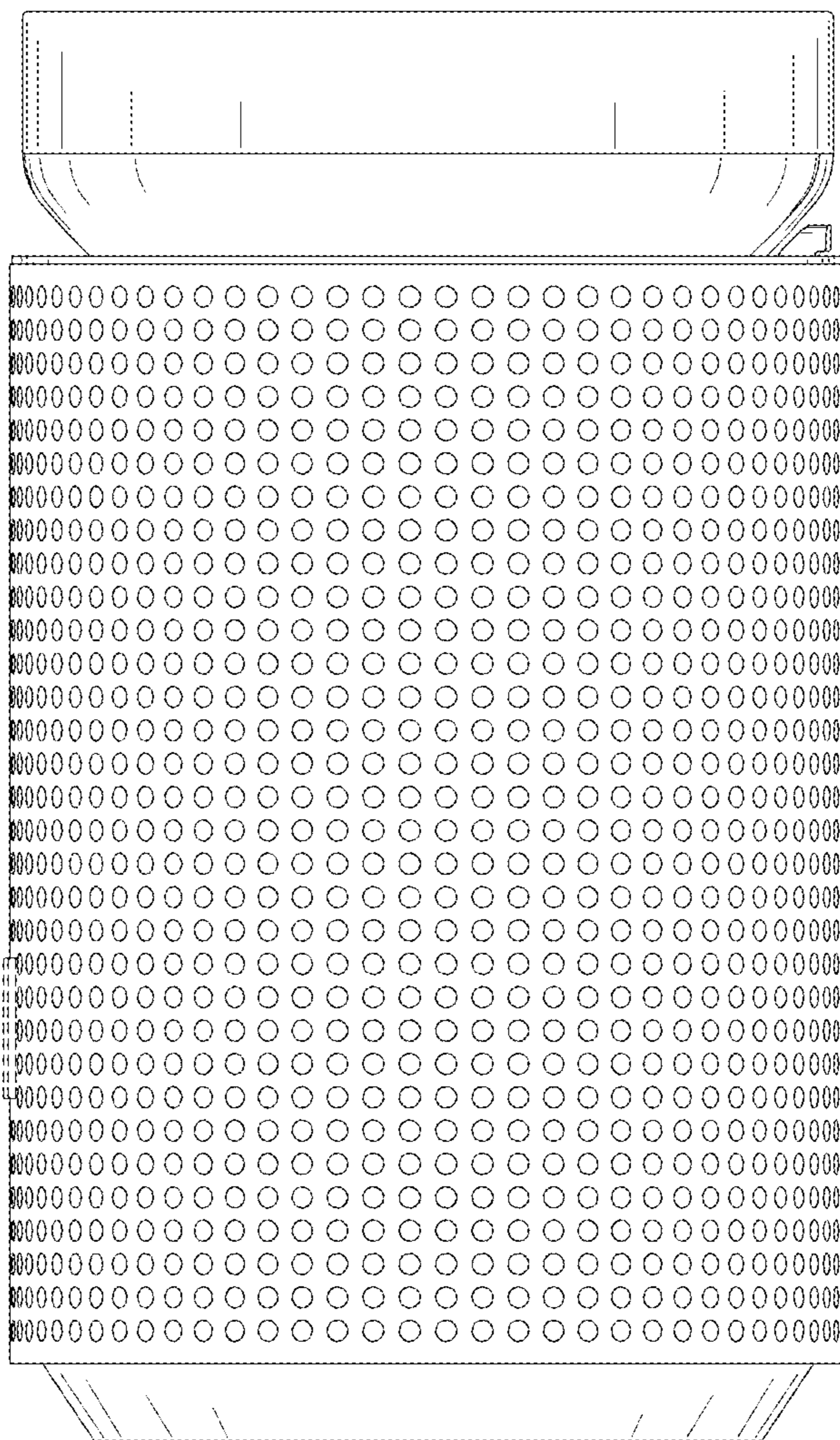


FIG. 5

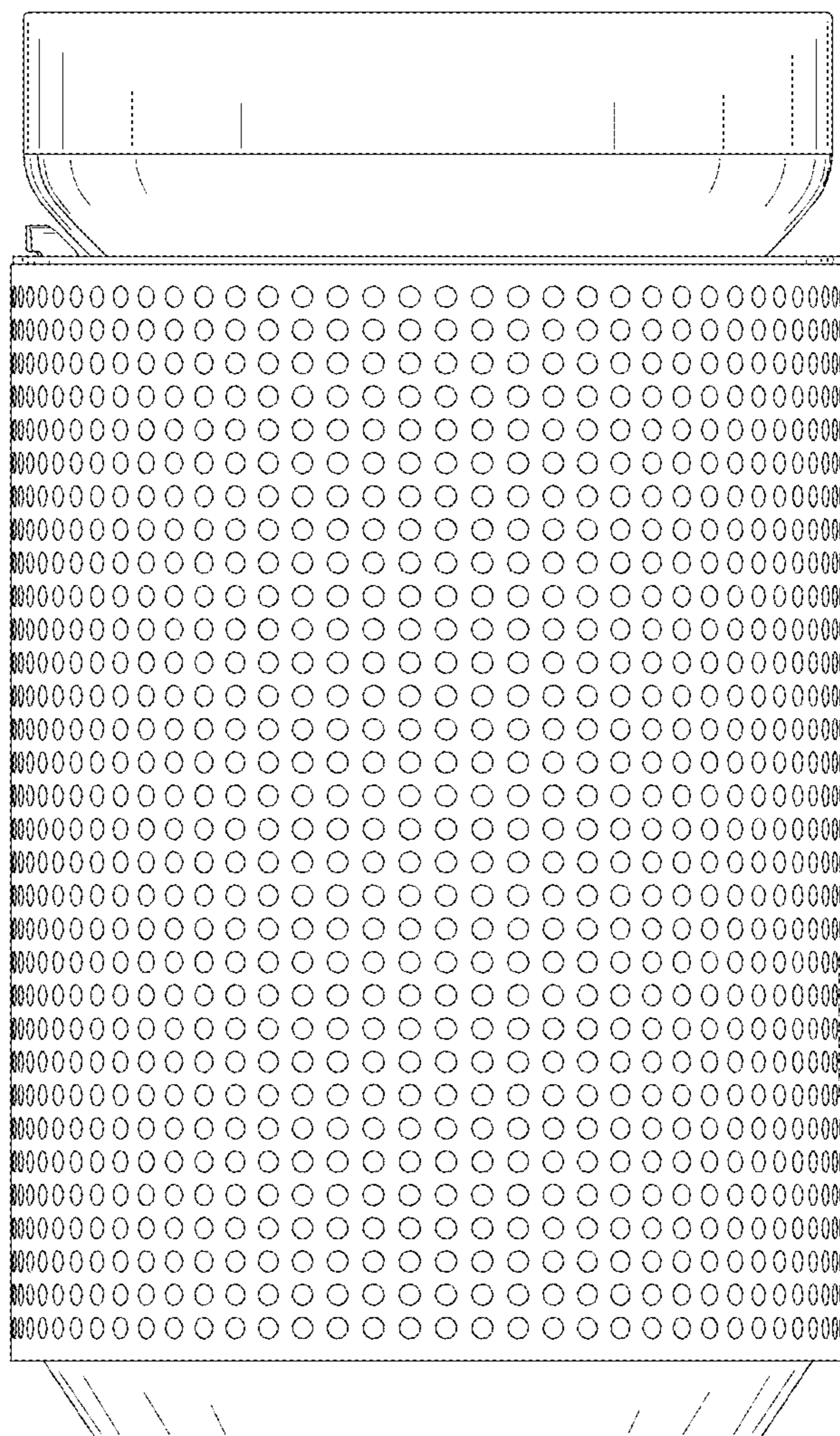


FIG. 6

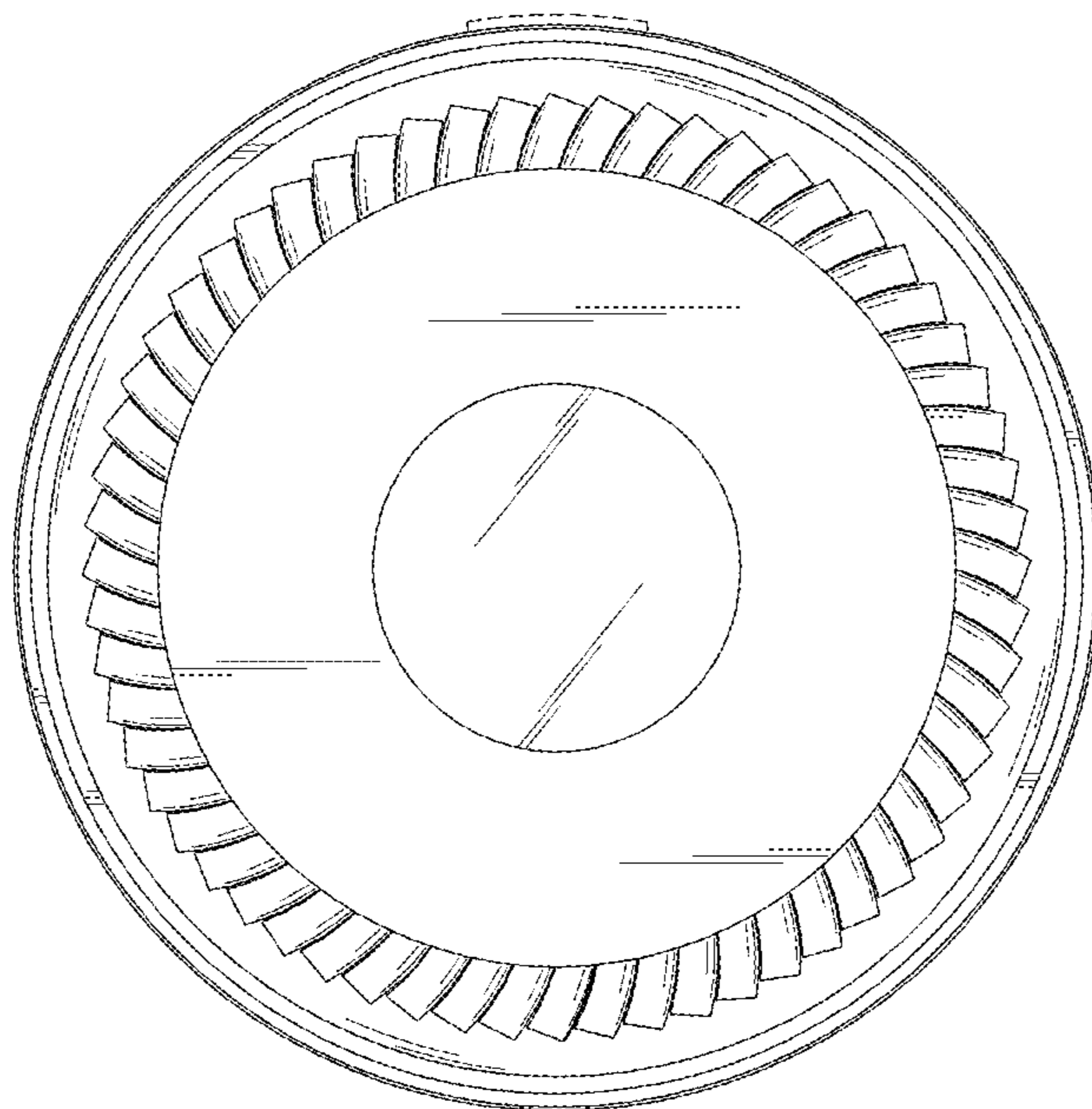


FIG. 7

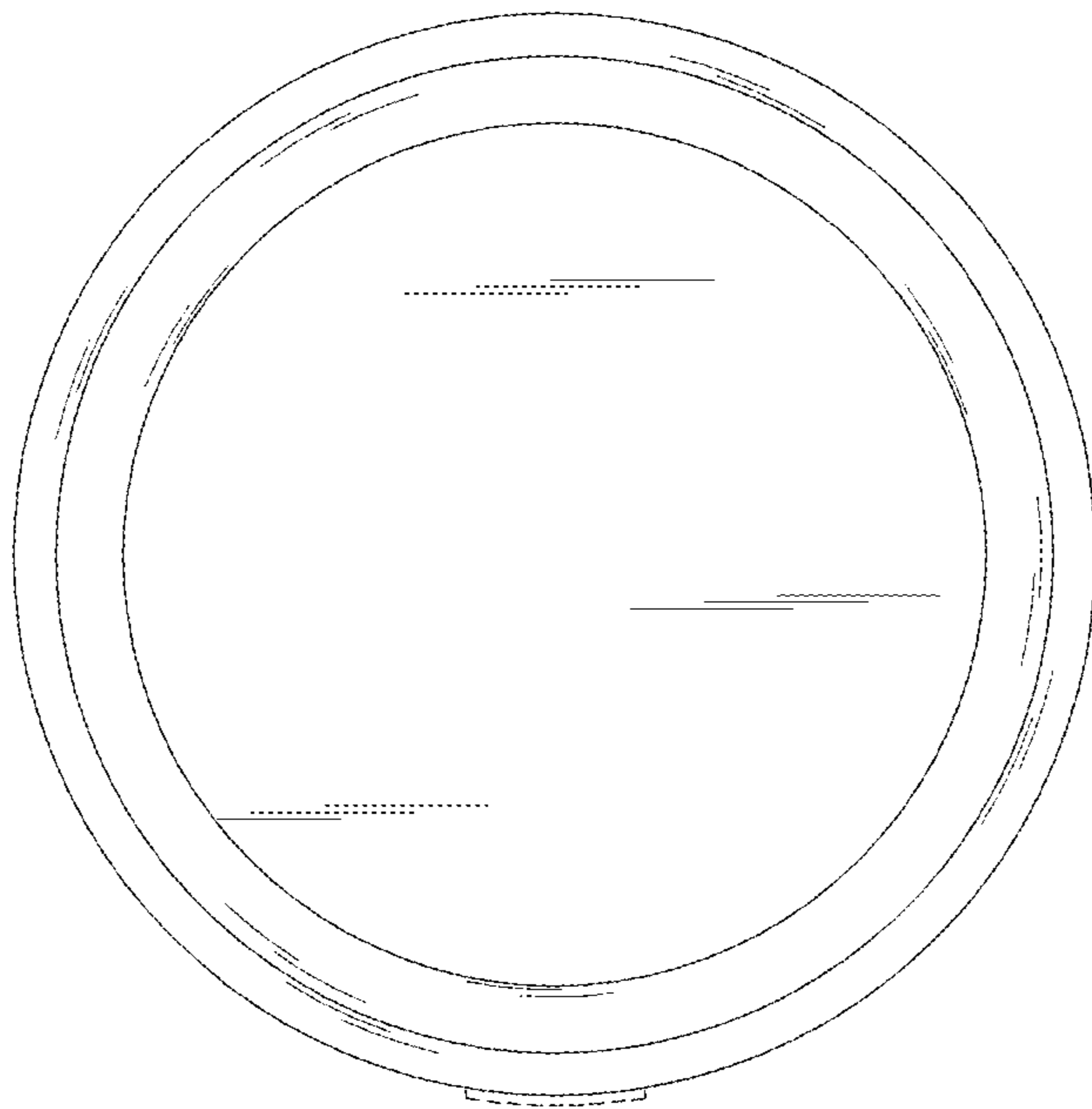


FIG. 8

