



US00D967369S

(12) **United States Design Patent** (10) **Patent No.:** **US D967,369 S**
Han et al. (45) **Date of Patent:** **** *Oct. 18, 2022**

(54) **AIR PURIFIER**
(71) Applicant: **LG ELECTRONICS INC.**, Seoul (KR)
(72) Inventors: **Sungkyong Han**, Seoul (KR); **Sehwan Bae**, Seoul (KR); **Myungwhoon Lee**, Seoul (KR); **Kangeui Cho**, Seoul (KR); **Jiug Ha**, Seoul (KR)

D569,628 S * 5/2008 Harkenrider D5/60
D597,741 S * 8/2009 Harkenrider D5/60
D656,741 S * 4/2012 Snyder D5/60
D805,622 S * 12/2017 Lee D23/364
D818,096 S * 5/2018 Cho B01D 53/0415
D23/364
D818,097 S * 5/2018 Cho A61L 9/12
D23/364

(Continued)

(73) Assignee: **LG ELECTRONICS INC.**, Seoul (KR)

Primary Examiner — Karen S Acker
Assistant Examiner — Jonathan E. Fiencke
(74) *Attorney, Agent, or Firm* — Birch, Stewart, Kolasch & Birch, LLP

(*) Notice: This patent is subject to a terminal disclaimer.

(**) Term: **15 Years**

(57) **CLAIM**

(21) Appl. No.: **29/721,821**

We claim the ornamental design for an air purifier, as shown and described.

(22) Filed: **Jan. 23, 2020**

(30) **Foreign Application Priority Data**

DESCRIPTION

Jul. 25, 2019 (KR) 30-2019-0035865

(51) **LOC (13) Cl.** **23-04**

(52) **U.S. Cl.**
USPC **D23/364**

(58) **Field of Classification Search**
USPC .. D7/536, 538, 553.8, 554.2, 602-604, 612;
D9/428, 545, 738, 763-764, 767;
D23/332-335, 337, 342, 352, 355-366,
D23/369-370; D5/1-3, 56-63
CPC .. A61L 9/00; A61L 9/22; B01D 47/00; B01D
47/027; B01D 2259/4508; B03C 3/155;
B03C 3/368; F24F 3/16; F24F 13/20;
F24F 13/28

See application file for complete search history.

(56) **References Cited**

U.S. PATENT DOCUMENTS

D566,404 S * 4/2008 Harkenrider D5/60
D566,971 S * 4/2008 Harkenrider D5/60

FIG. 1 is a perspective view of an air purifier showing the new design;
FIG. 2 is a front elevation view thereof;
FIG. 3 is a rear elevation view thereof;
FIG. 4 is a left-side elevation view thereof;
FIG. 5 is a right-side elevation view thereof;
FIG. 6 is a top plan view thereof;
FIG. 7 is a bottom plan view thereof;
FIG. 8 is a perspective view thereof showing the circulator part at an angle;
FIG. 9 is a perspective view thereof showing the circulator part at another angle; and,
FIG. 10 is a partial perspective view thereof showing the air purifier in a state of use.

The evenly spaced broken lines and unshaded areas depict portions of the air purifier that form no part of the claimed design. The dot dash dot broken line in FIG. 10 denotes the boundary of the partial view and forms no part of the claimed design.

1 Claim, 10 Drawing Sheets

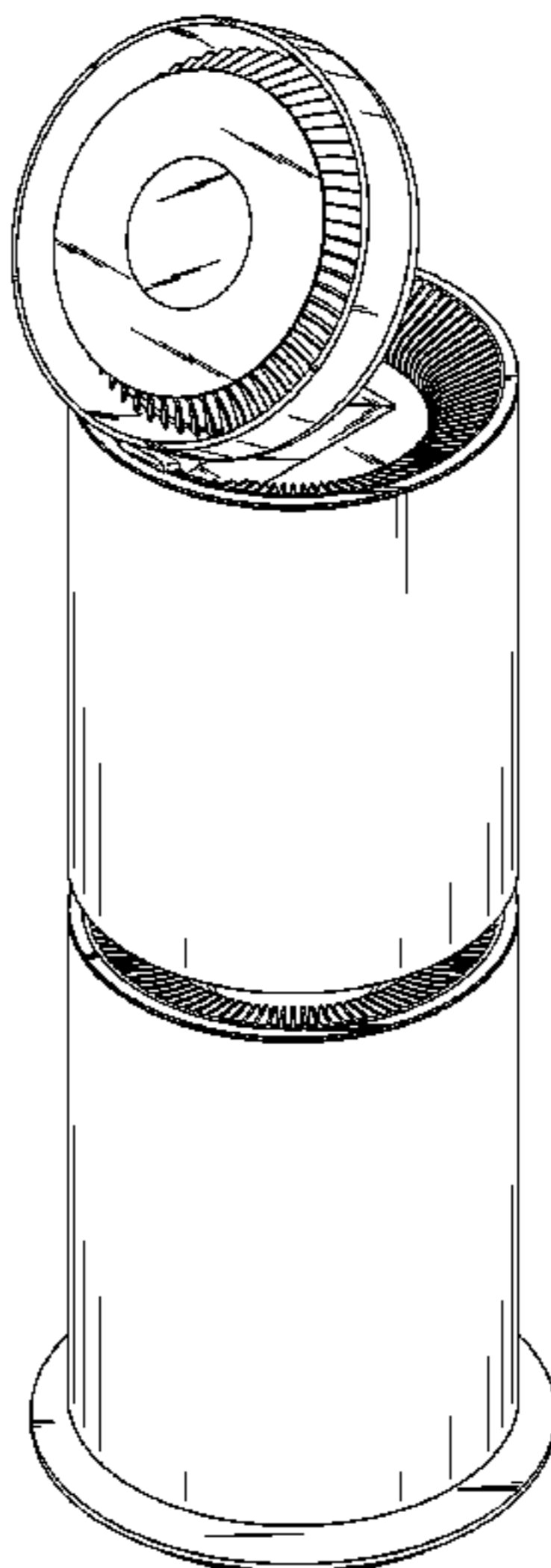


FIG. 1

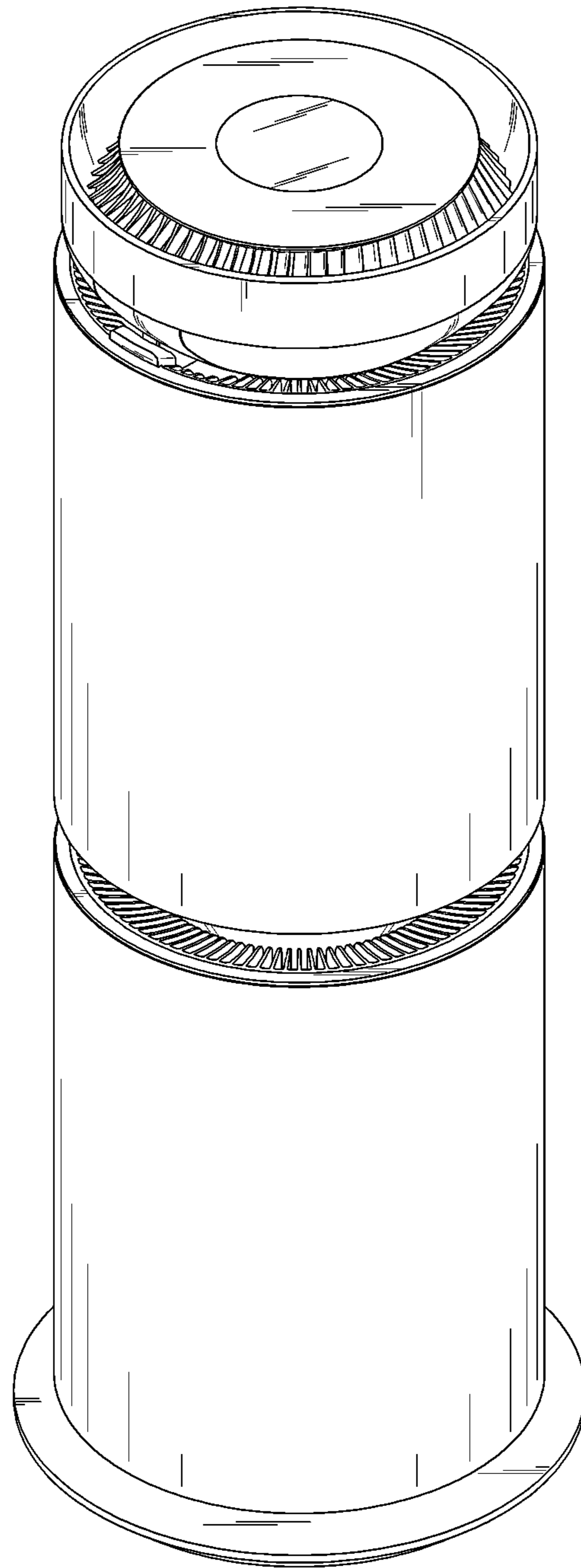


FIG. 2

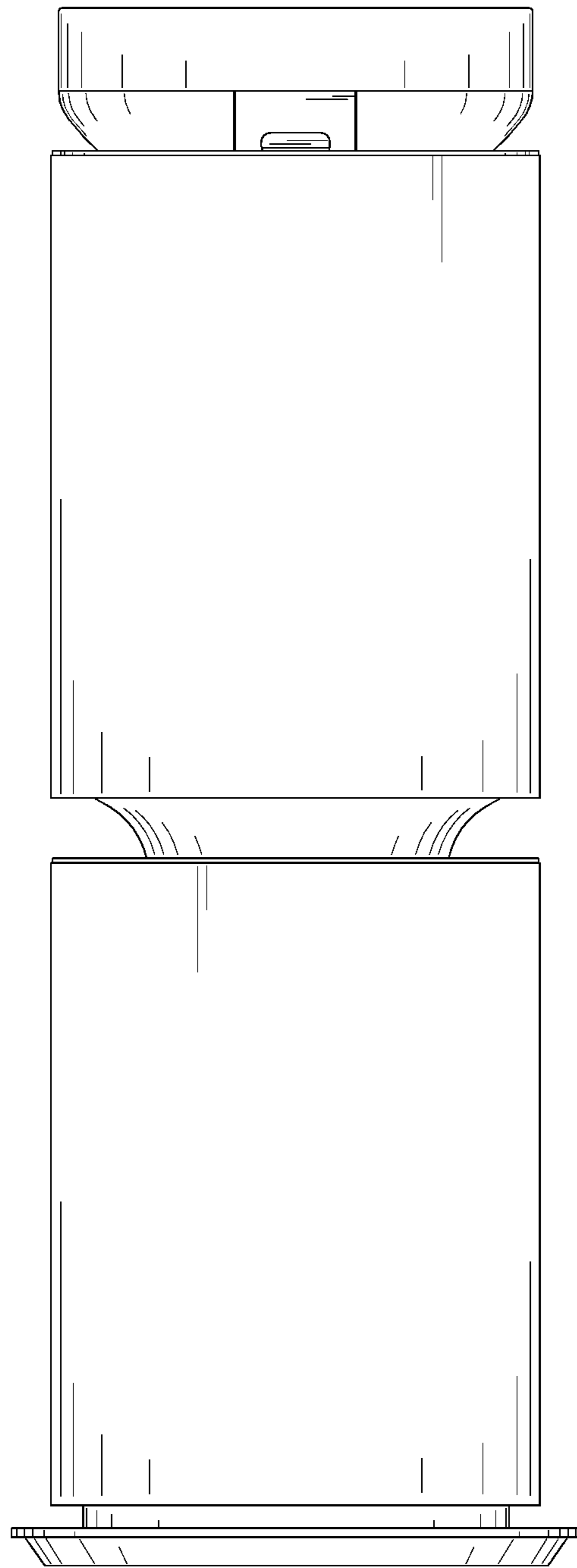


FIG. 3

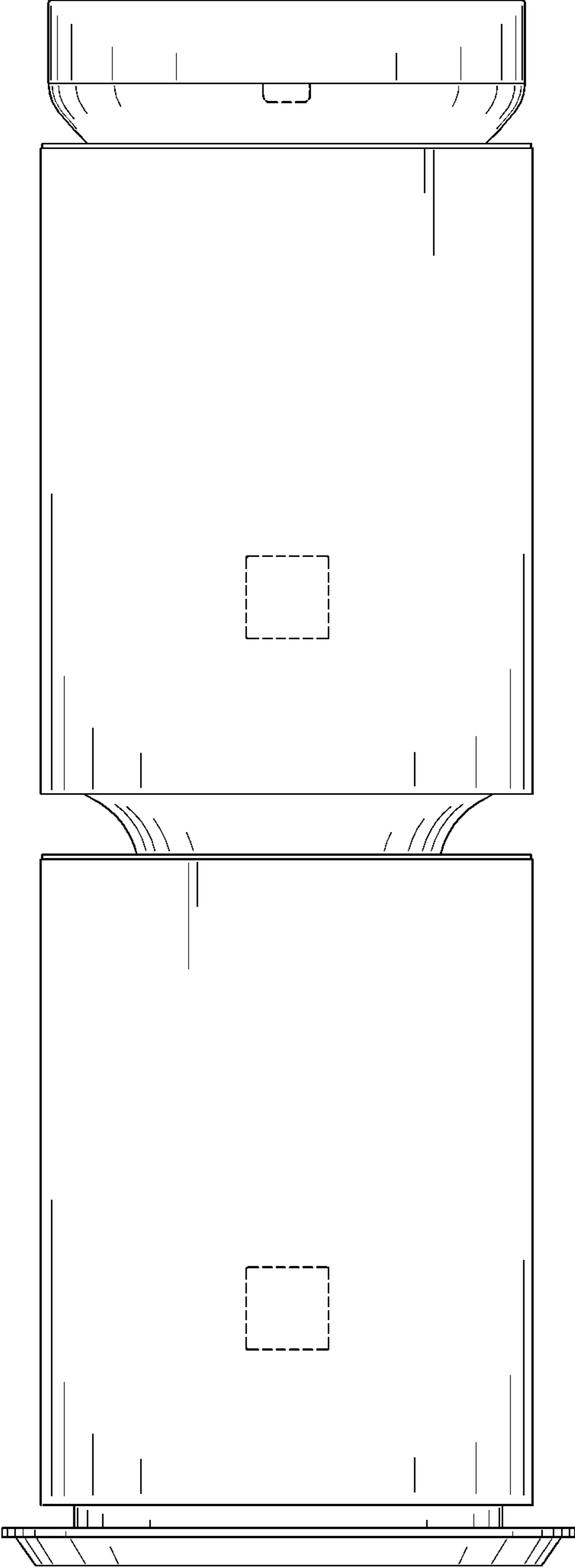


FIG. 4

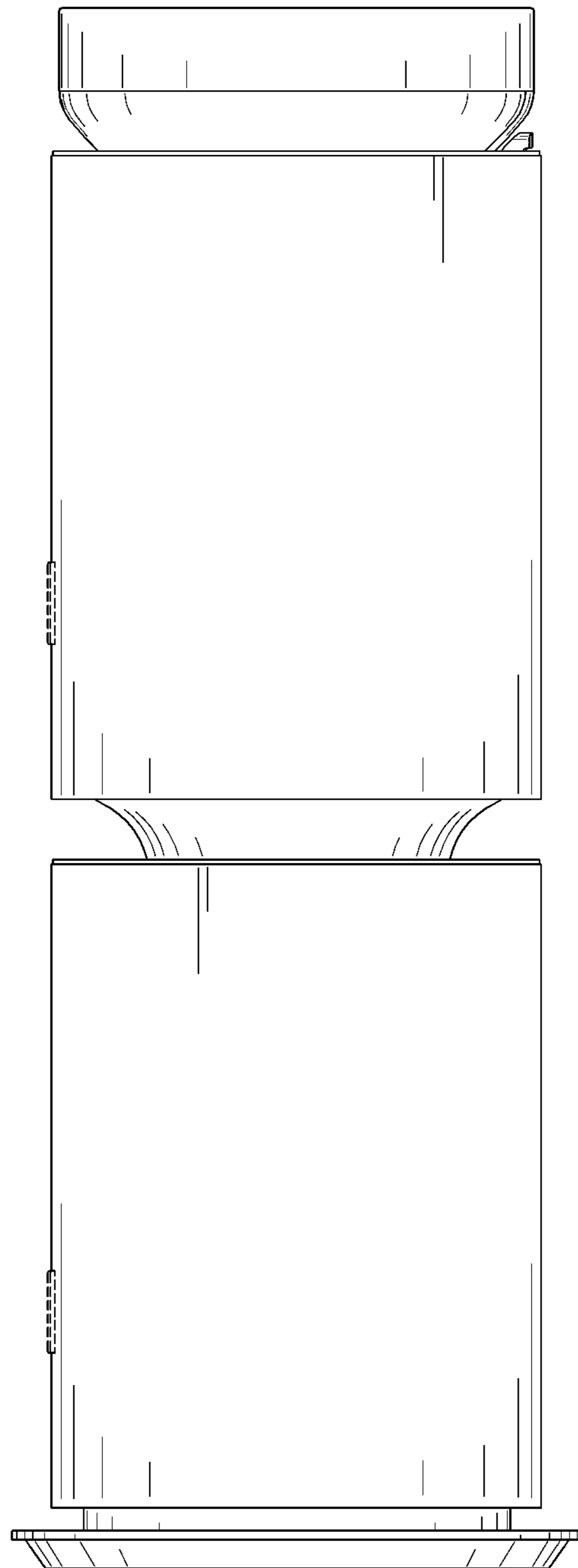


FIG. 5

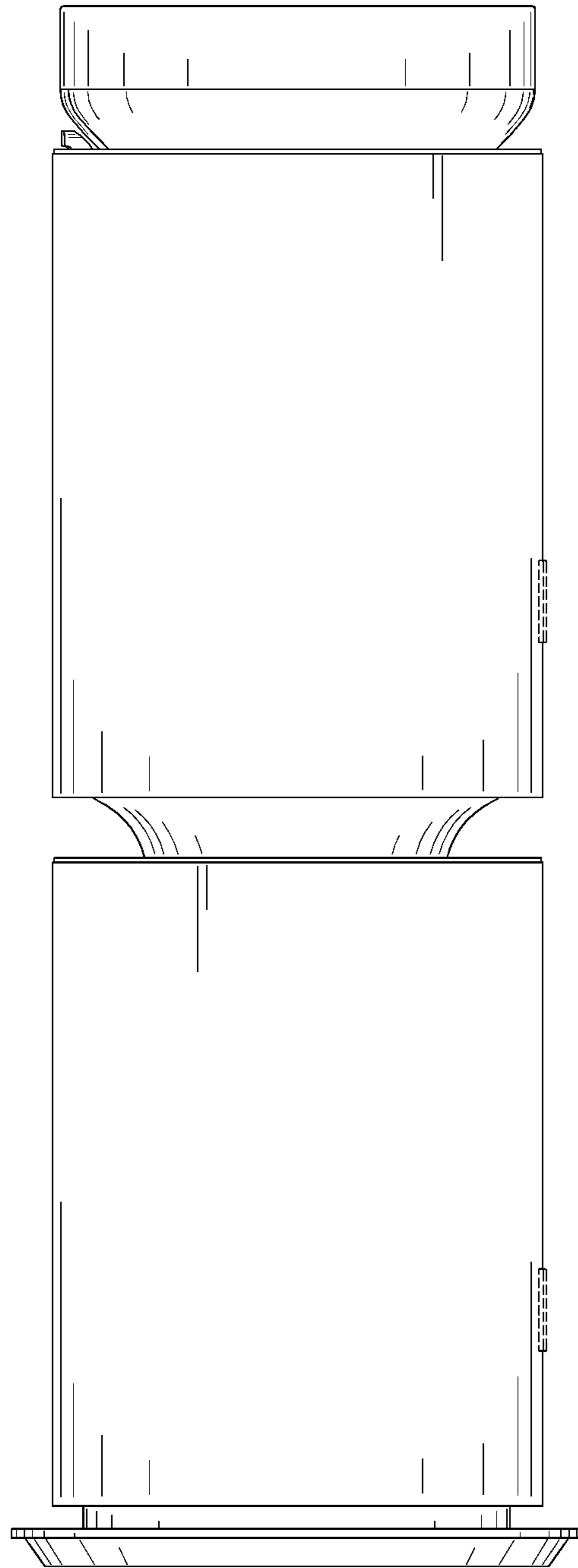


FIG. 6

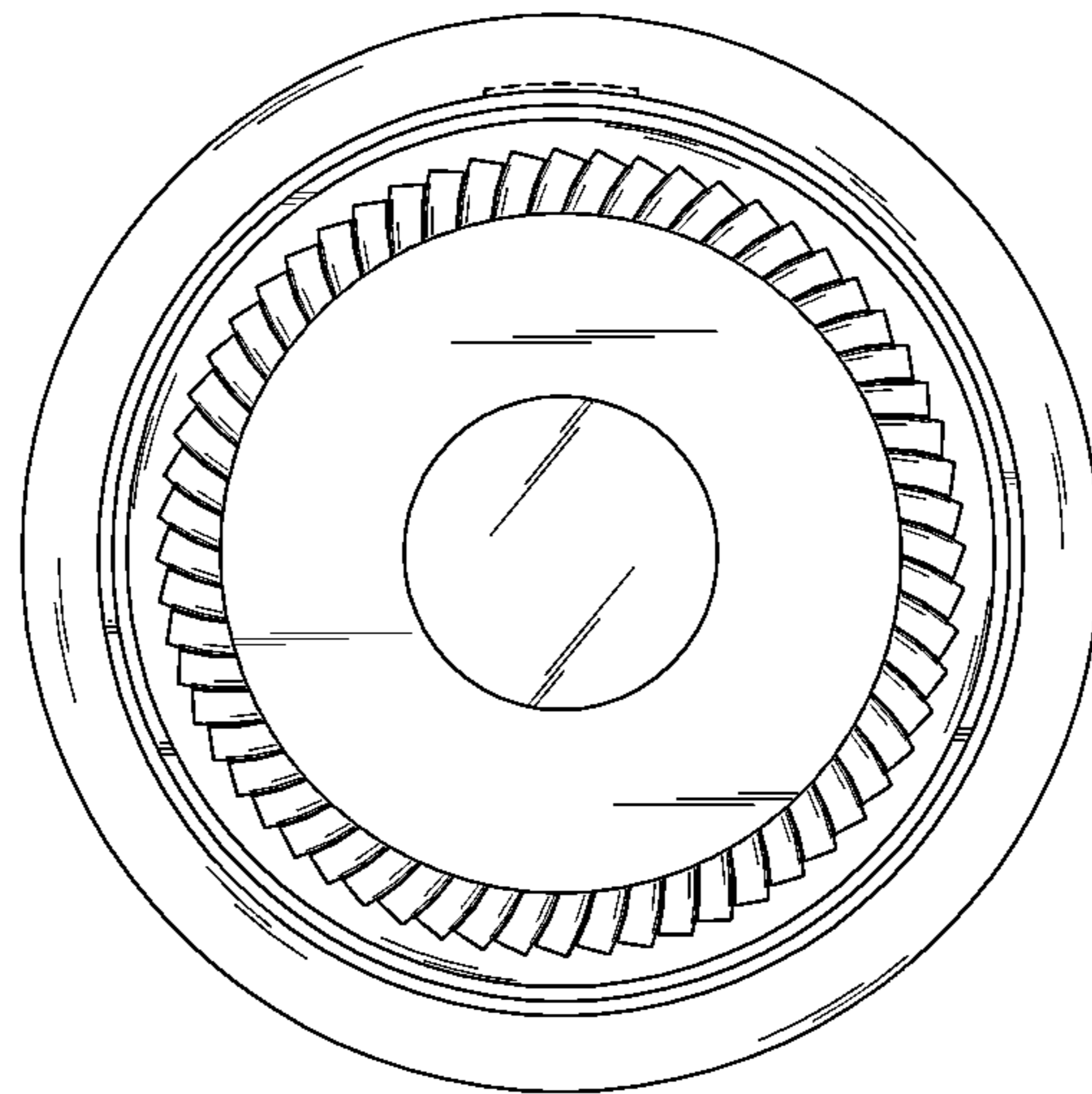


FIG. 7

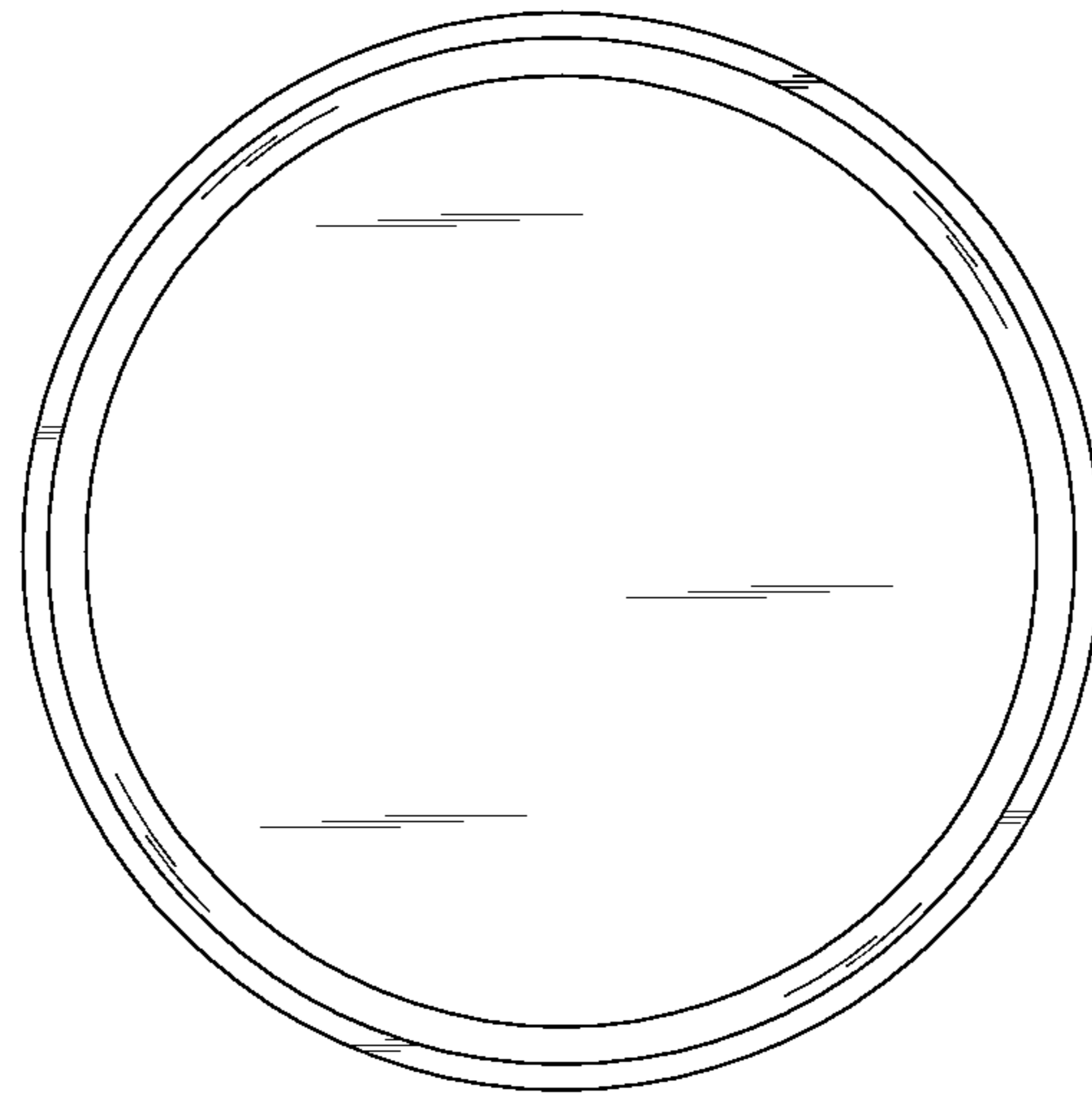


FIG. 8

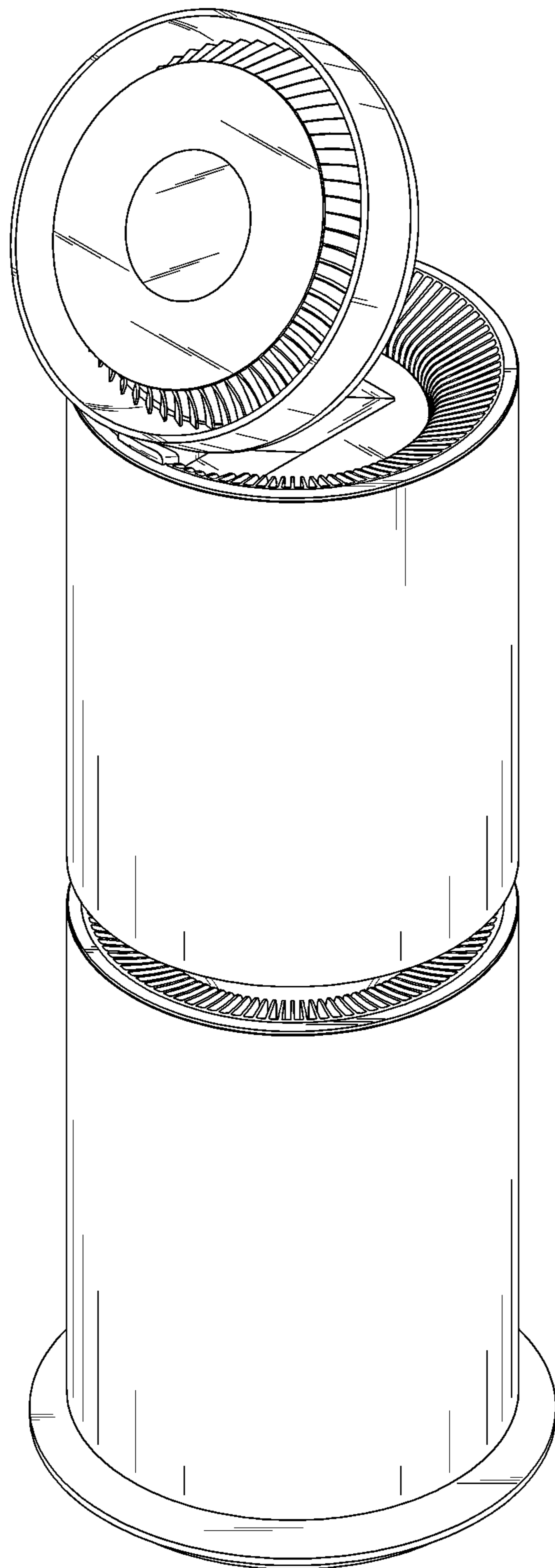


FIG. 9

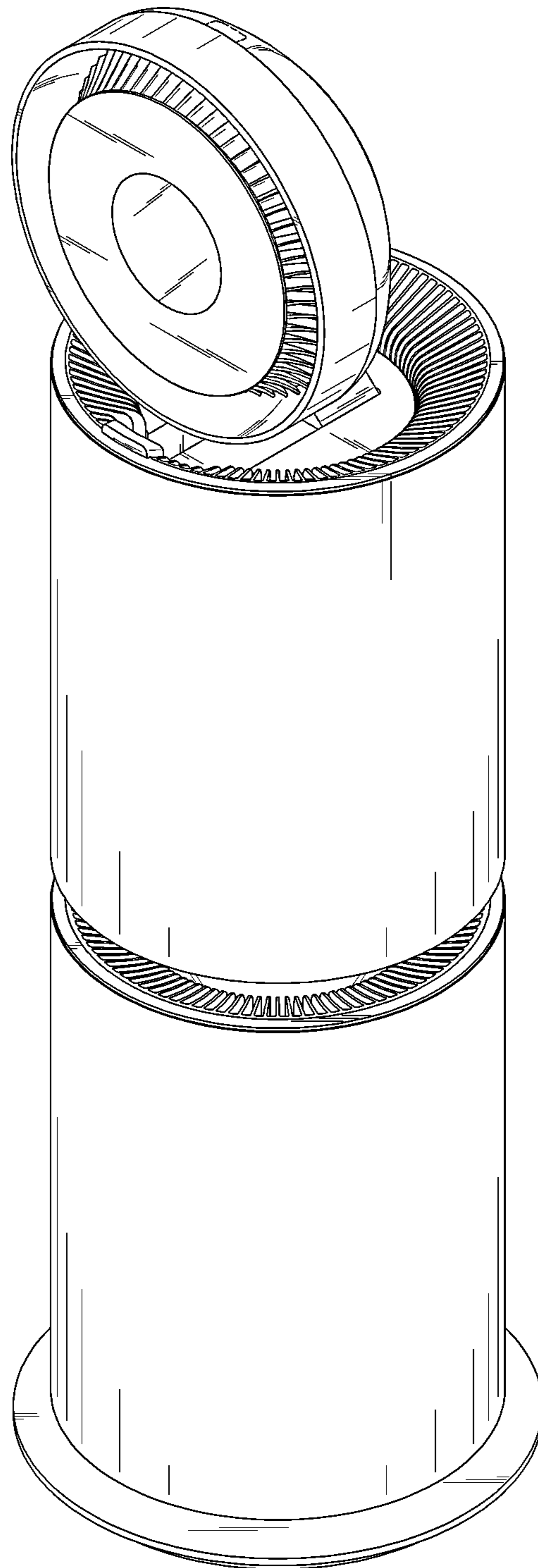


FIG. 10

