



US00D967364S

(12) **United States Design Patent**
Hu

(10) **Patent No.:** **US D967,364 S**
(45) **Date of Patent:** **** Oct. 18, 2022**

(54) **AIR COOLER**
(71) Applicant: **Shenzhen Hailixuan Technology Co., Ltd.**, Shenzhen (CN)
(72) Inventor: **Chang Xi Hu**, Shenzhen (CN)
(73) Assignee: **Shenzhen Hailixuan Technology Co., Ltd.**, Shenzhen (CN)
(**) Term: **15 Years**

D791,290 S *	7/2017	Shapiro	D23/335
D791,292 S *	7/2017	Kim	D23/333
D827,115 S	8/2018	Petersen et al.	
D841,140 S *	2/2019	Chen	D23/336
D849,220 S *	5/2019	Fang	D23/351
D852,340 S	6/2019	Barlettano	
D903,073 S	11/2020	Li	
D912,796 S *	3/2021	Huang	D23/364
D913,466 S *	3/2021	Shen	D23/351
D933,179 S *	10/2021	Fu	D23/333
D945,587 S *	3/2022	Yan	D23/364
D948,679 S *	4/2022	Barlettano	D23/333

* cited by examiner

(21) Appl. No.: **29/805,099**

Primary Examiner — Natasha Vujcic

(22) Filed: **Aug. 25, 2021**

(51) **LOC (13) Cl.** **23-04**

(57) **CLAIM**

(52) **U.S. Cl.**
USPC **D23/351**

The ornamental design for an air cooler, as shown and described.

(58) **Field of Classification Search**
USPC D23/333, 351–354, 388
CPC F24F 1/00; F24F 1/0007; F24F 1/02; F24F 1/08; F24F 1/42; F24F 1/56; F24F 1/60; F24F 3/044; F24F 3/048; F24F 3/16; G05D 23/1905; G05D 23/1932; G05D 23/1902; G05D 23/1931; G05B 19/0426; G05B 19/409; G05B 15/02
See application file for complete search history.

DESCRIPTION

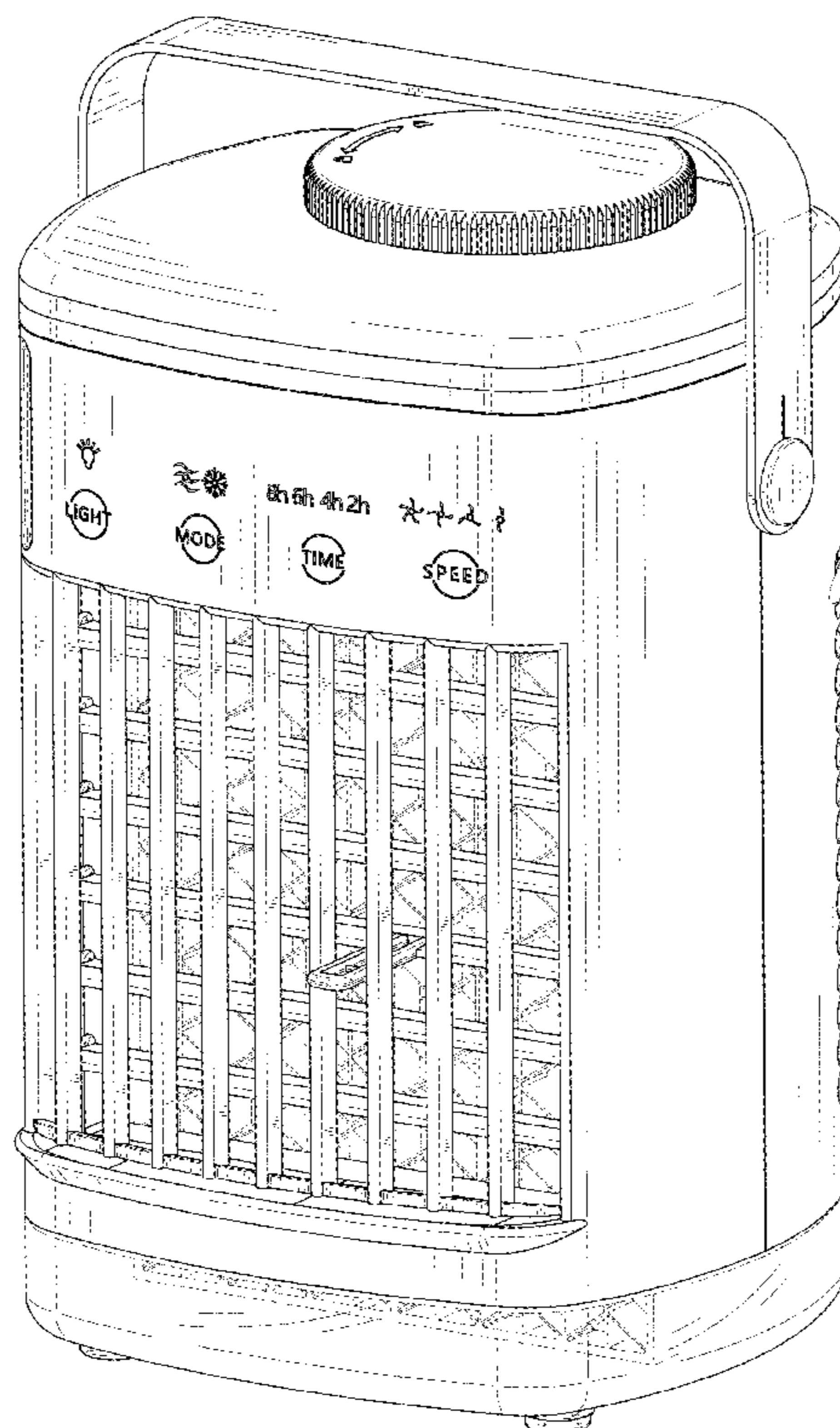
FIG. 1 is a front and top perspective view of an air cooler, showing my new design;
FIG. 2 is a rear and bottom perspective view thereof;
FIG. 3 is a front elevation view thereof;
FIG. 4 is a rear view thereof;
FIG. 5 is a left side elevation view thereof;
FIG. 6 is a right side elevation view thereof;
FIG. 7 is a top plan view thereof; and,
FIG. 8 is a bottom plan view thereof.
The broken lines depict portions of the air cooler in which the design is embodied that form no part of the claimed design.

(56) **References Cited**

U.S. PATENT DOCUMENTS

D395,490 S *	6/1998	Jane'	D23/335
D673,665 S *	1/2013	Langford	D23/359
D750,209 S *	2/2016	Satou	D23/364

1 Claim, 8 Drawing Sheets



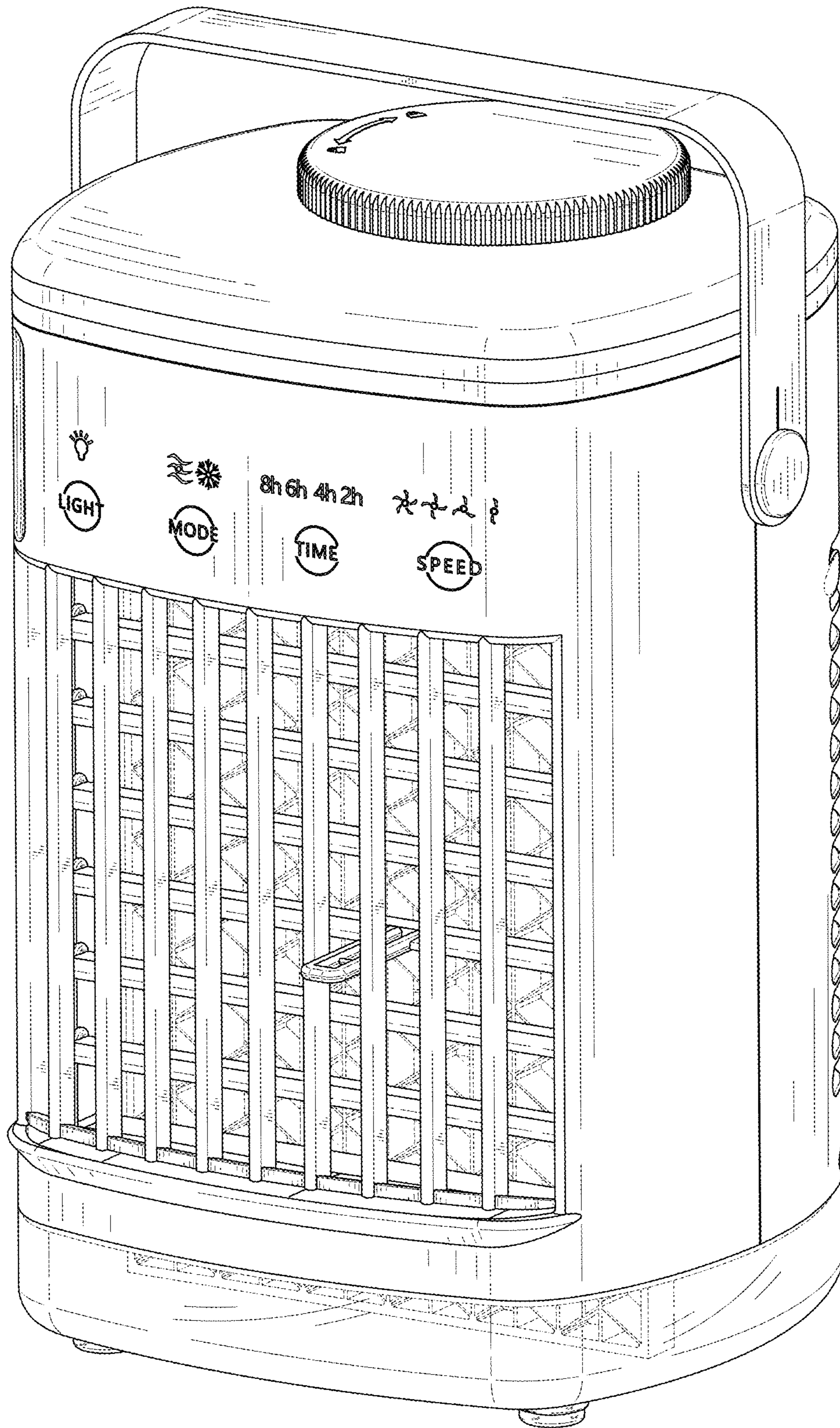


FIG. 1

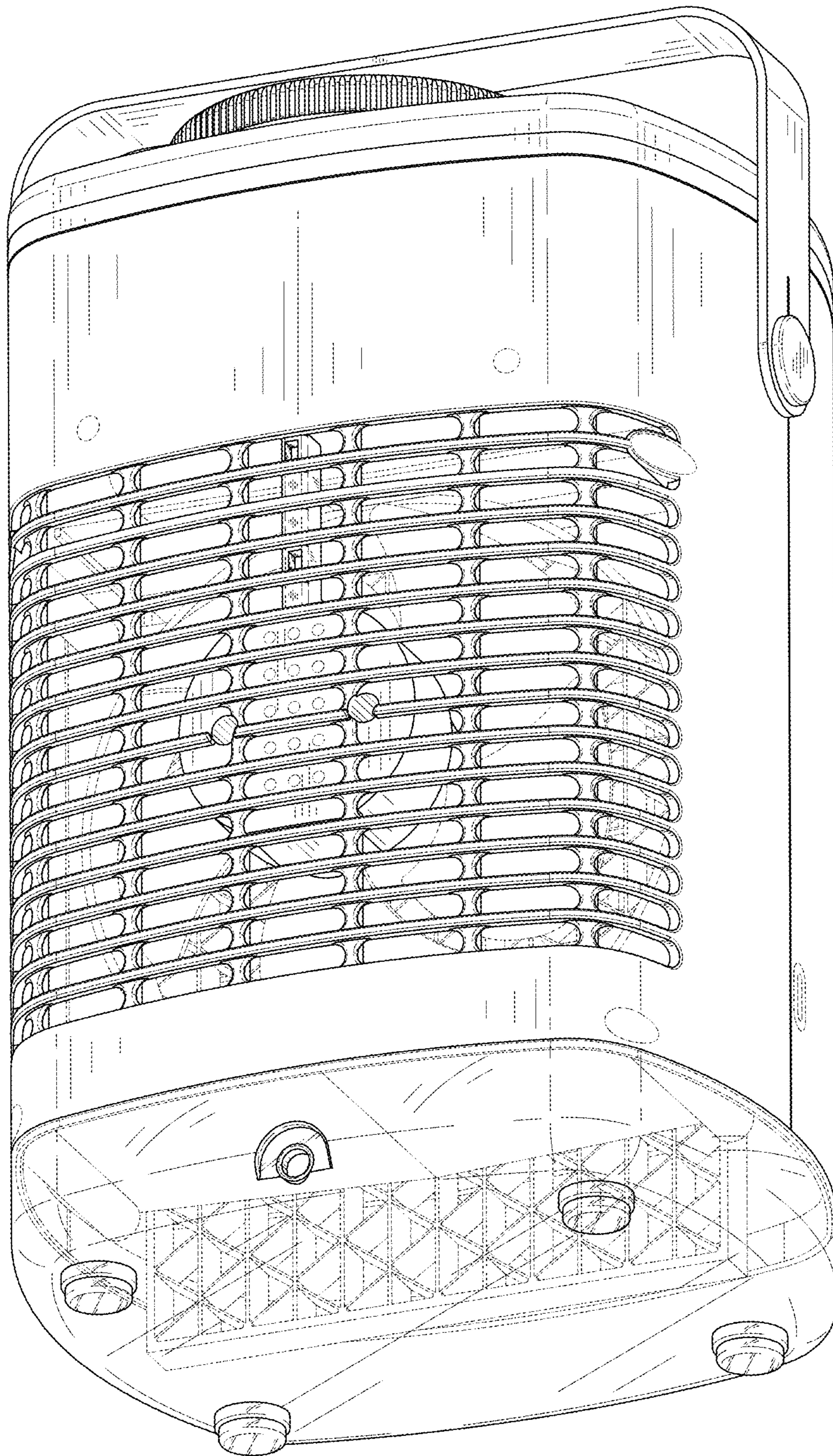


FIG. 2

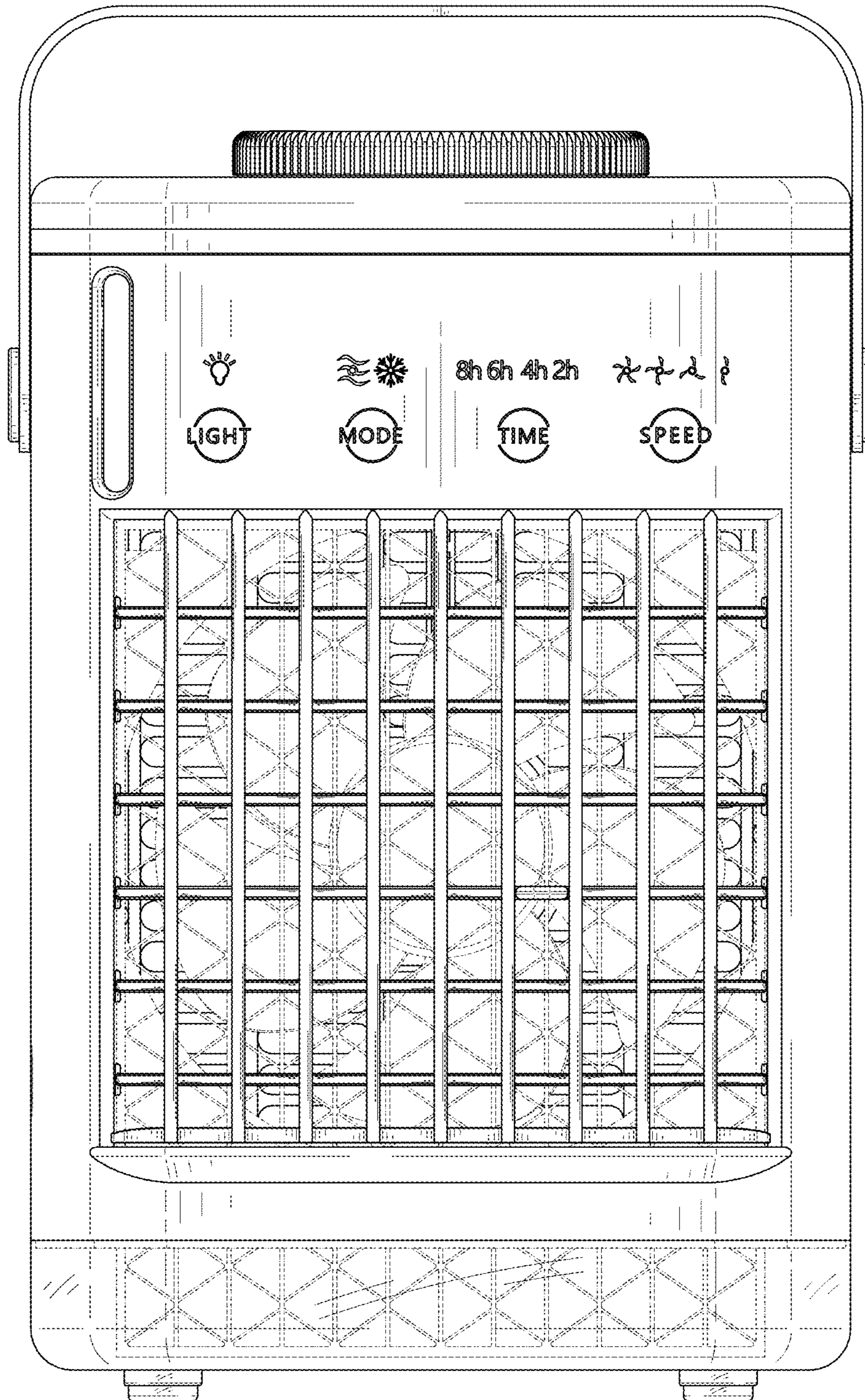


FIG. 3

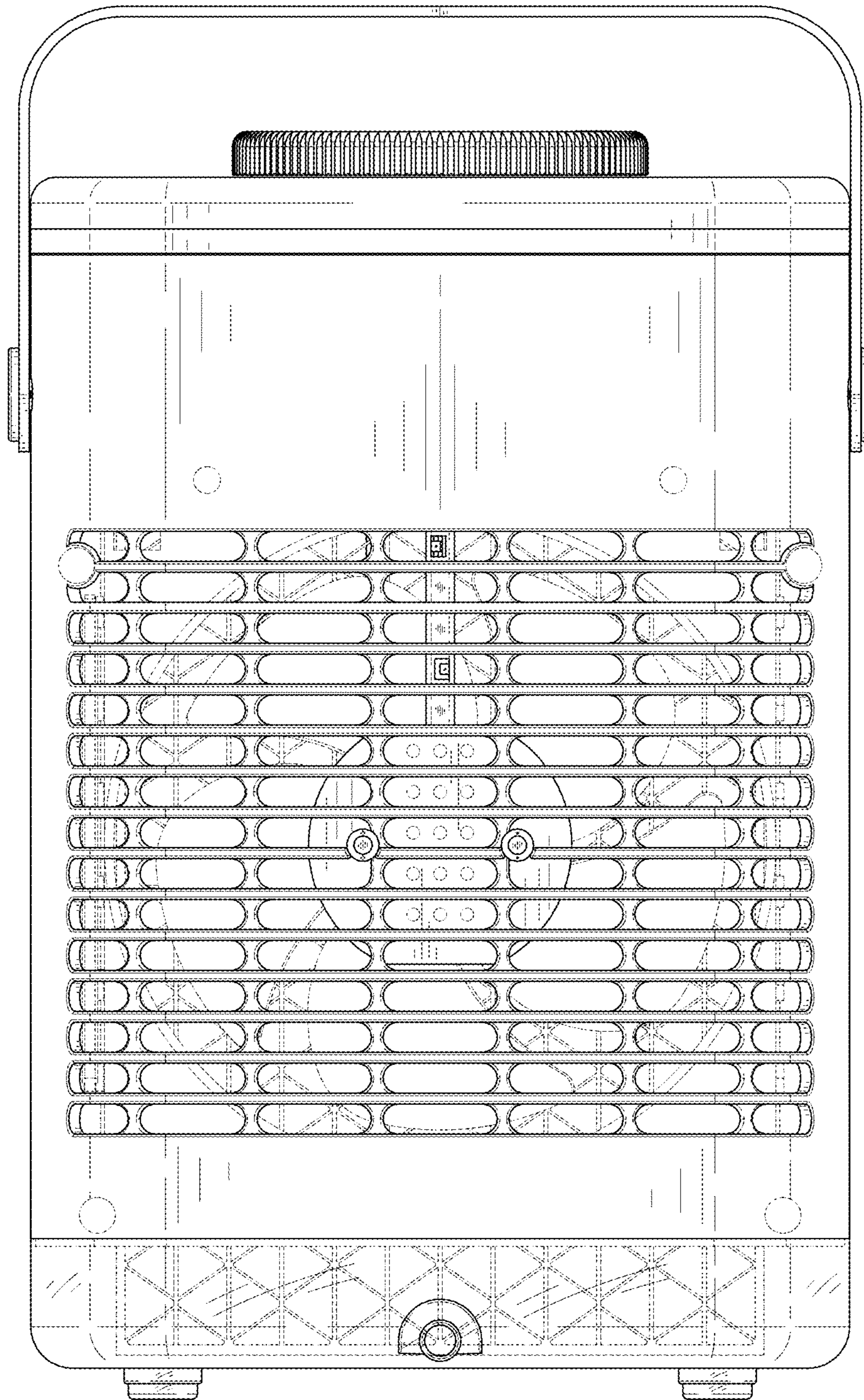


FIG. 4

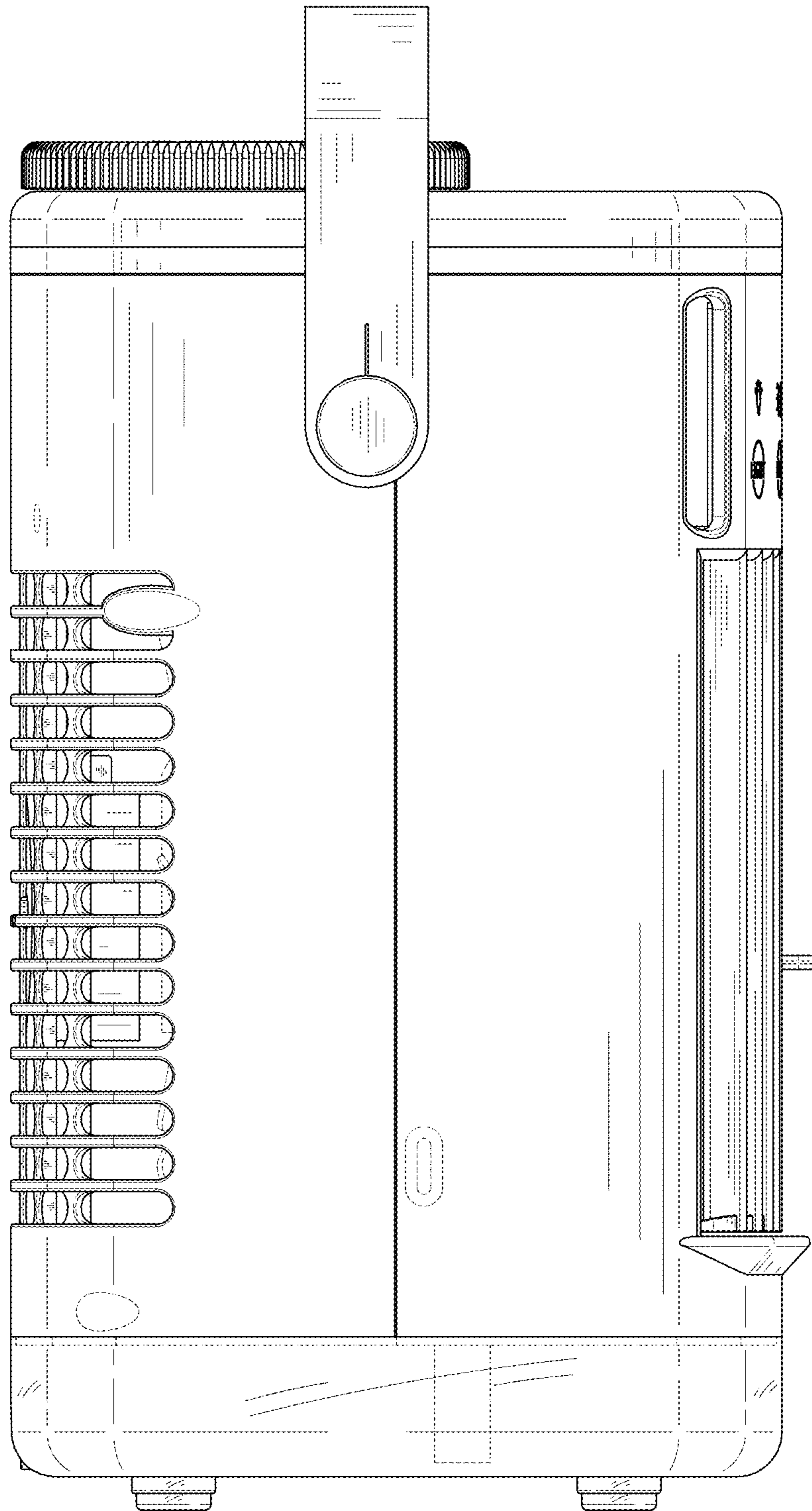


FIG. 5

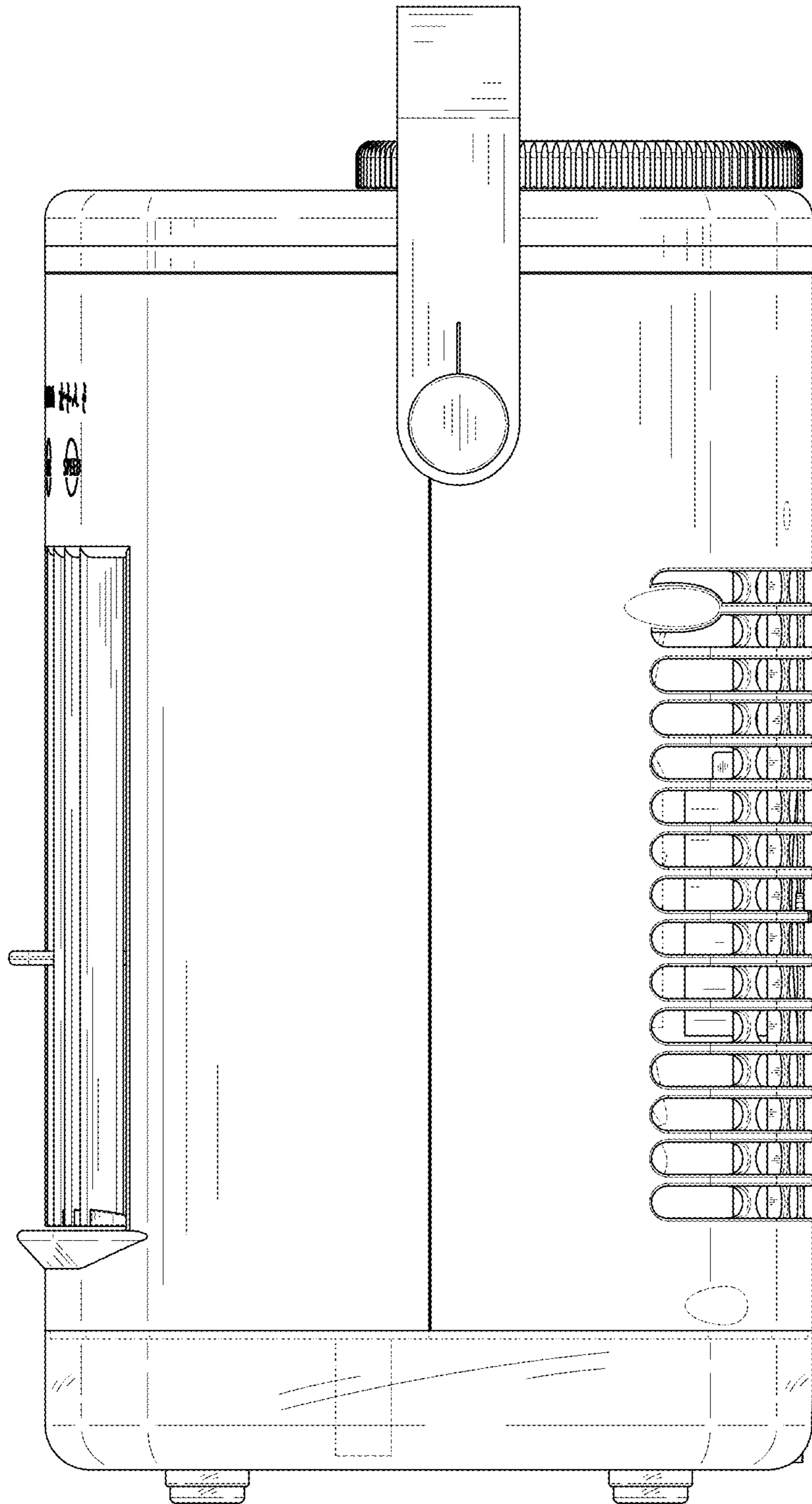


FIG. 6

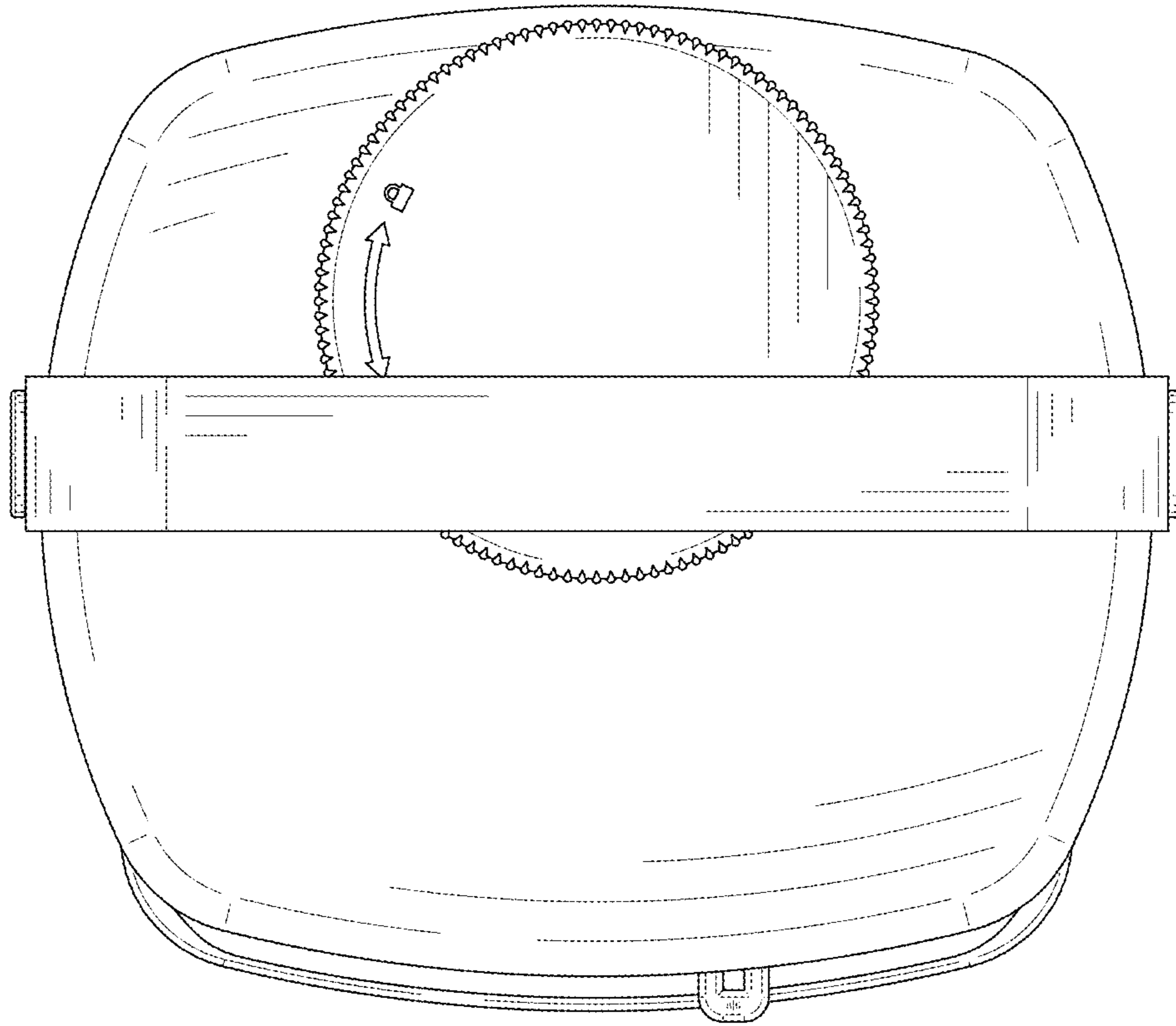


FIG. 7

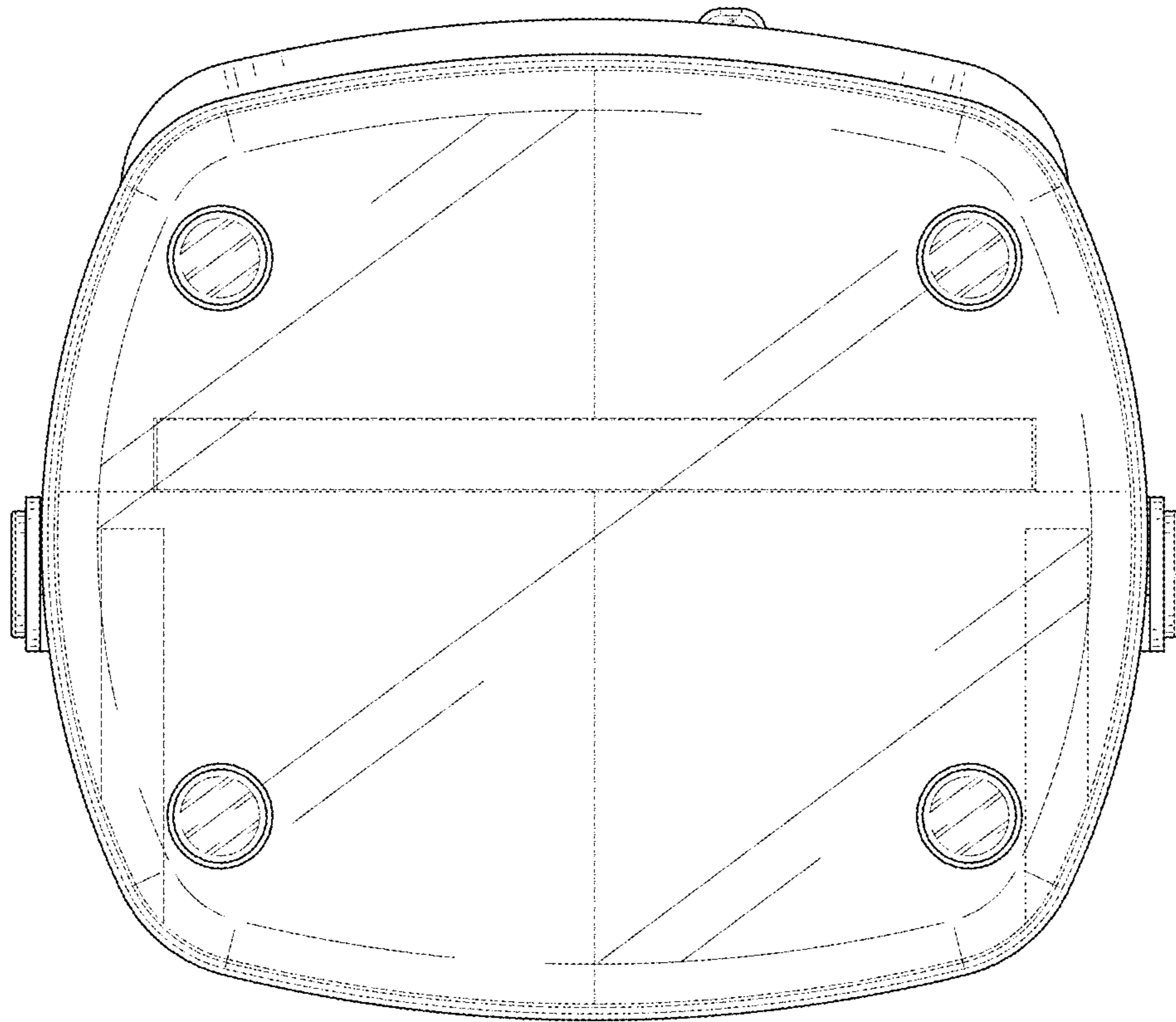


FIG. 8