



US00D967363S

(12) **United States Design Patent** (10) **Patent No.:** **US D967,363 S**
Barlettano (45) **Date of Patent:** **** Oct. 18, 2022**

(54) **PERSONAL AIR COOLER**
(71) Applicant: **Ontel Products Corporation**, Fairfield, NJ (US)

D282,101 S 1/1986 Yuen
D282,102 S 1/1986 Yuen
D291,350 S * 8/1987 Sherman D23/335
(Continued)

(72) Inventor: **Scott Barlettano**, Wayne, NJ (US)

FOREIGN PATENT DOCUMENTS

(73) Assignee: **Ontel Products Corporation**, Fairfield, NJ (US)

CN 3589286 S 12/2006
CN 3643876 S 5/2007
(Continued)

(**) Term: **15 Years**

OTHER PUBLICATIONS

(21) Appl. No.: **29/777,268**

Global Sources Home Products, No. 10, vol. 8, p. 11, Design Division of the Japan Patent Office; Nov. 27, 2014.

(22) Filed: **Apr. 5, 2021**

(Continued)

(51) **LOC (13) Cl.** **23-04**

(52) **U.S. Cl.**
USPC **D23/333**

(58) **Field of Classification Search**
USPC D23/209, 333, 335, 351-367, 388;
D13/111, 102; D15/7-9.3, 144, 144.2;
D34/7; D7/300, 306, 602, 603, 606
CPC . A01G 13/06; A24F 25/00; A61L 9/00; A61L 9/03; A61L 9/04; A61L 9/14; A61L 9/015; A61L 9/032; A61L 2209/14; A61L 9/035; A61L 9/122; B05B 7/1686; F24F 1/00; F24F 1/027; F24F 1/02; F24F 1/08; F24F 1/42; F24F 1/56; F24F 1/60; F24F 1/62; F24F 1/64; F24F 1/0007; F24F 3/12; F24F 3/14; F24F 3/16; F24F 3/048; F24F 13/32; F24F 2221/20

See application file for complete search history.

Primary Examiner — Gino Colan
Assistant Examiner — David OBrien
(74) *Attorney, Agent, or Firm* — Dickinson Wright PLLC

(57) **CLAIM**

I claim the ornamental design for a personal air cooler, as shown and described.

DESCRIPTION

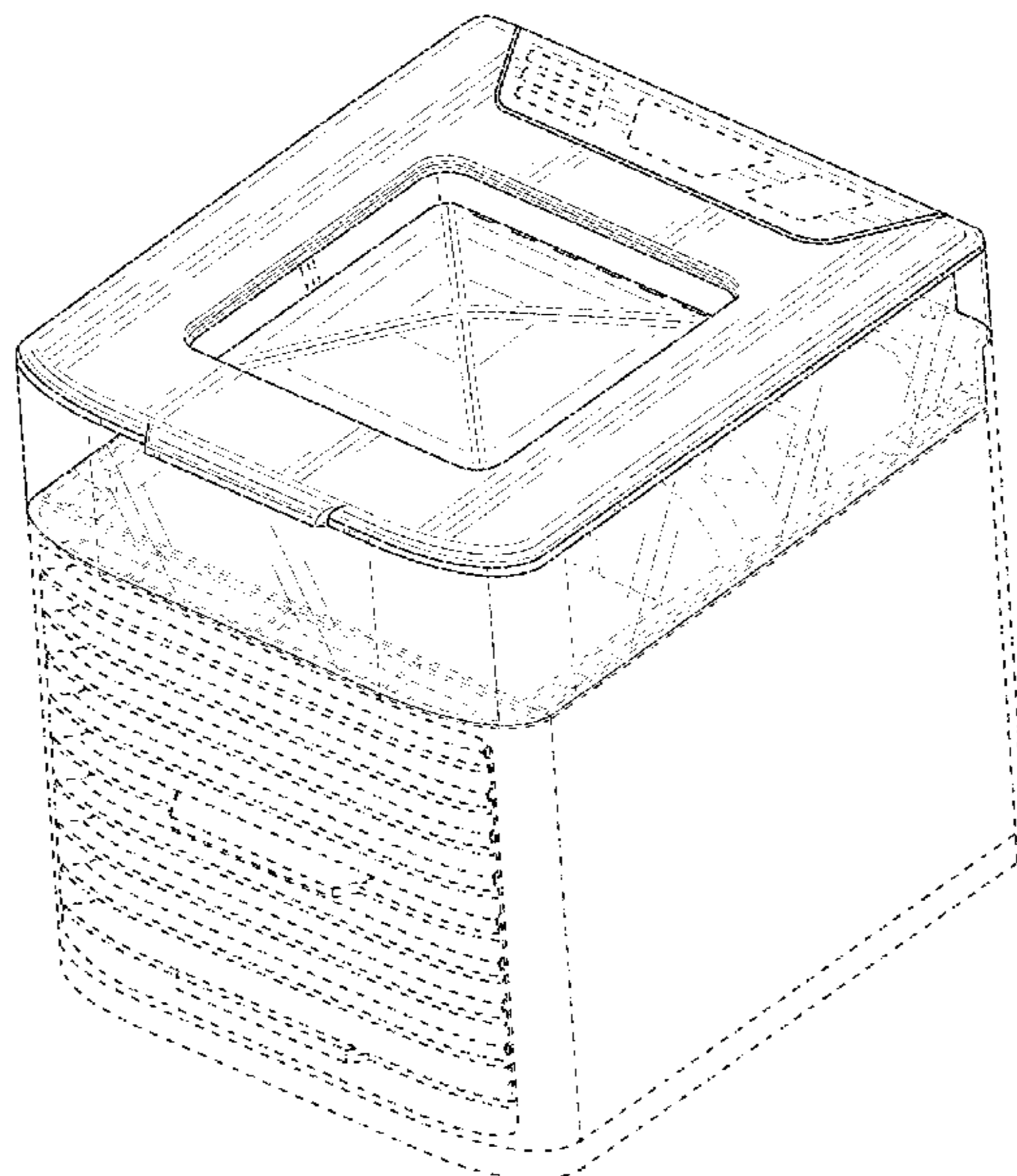
FIG. 1 is a top-side perspective view of a personal air cooler; FIG. 2 is a front view of the personal air cooler of FIG. 1; FIG. 3 is a left side view of the personal air cooler of FIG. 1; FIG. 4 is a right side view of the personal air cooler of FIG. 1; FIG. 5 is a rear view of the personal air cooler of FIG. 1; FIG. 6 is a top view of the personal air cooler of FIG. 1; and FIG. 7 is a bottom view of the personal air cooler of FIG. 1. The broken lines in the drawings illustrate portions of the personal air cooler that form no part of the claimed design.

(56) **References Cited**

U.S. PATENT DOCUMENTS

D185,748 S 7/1959 Goettl
D188,357 S 7/1960 Klotz
3,176,117 A 3/1965 Knoll
4,016,835 A 4/1977 Yarden et al.
D279,815 S 7/1985 Yuen

1 Claim, 7 Drawing Sheets



(56)

References Cited

U.S. PATENT DOCUMENTS

4,835,982 A 6/1989 Ferdows
 D313,069 S 12/1990 McCormick
 4,977,755 A 12/1990 Tulley
 D319,498 S 8/1991 Huang
 D323,874 S * 2/1992 Hirman D23/209
 5,162,088 A 11/1992 Peng et al.
 5,309,726 A 5/1994 Asbridge
 D361,828 S 8/1995 Chen
 D367,525 S * 2/1996 Gruebel D23/333
 D376,418 S * 12/1996 Wang D23/332
 D384,407 S 9/1997 Yamada
 D402,745 S 12/1998 Termeer et al.
 D402,746 S 12/1998 Clark et al.
 D414,253 S 9/1999 Kobayashi
 D416,993 S 11/1999 Dong et al.
 6,098,895 A 8/2000 Walzel et al.
 D433,111 S 10/2000 Wright
 6,155,782 A 12/2000 Hsu
 D448,071 S 9/2001 Birdsell et al.
 6,293,121 B1 9/2001 Labrador
 D453,558 S 2/2002 Segawa et al.
 D468,005 S 12/2002 Bailey
 6,581,402 B2 6/2003 Maisotsenko et al.
 D516,689 S 3/2006 Salmon et al.
 D536,780 S 2/2007 Lerche et al.
 D543,614 S 5/2007 Chen
 D553,725 S 10/2007 Shimizu
 D559,973 S 1/2008 Rabito
 D594,960 S 6/2009 Orihara
 D606,645 S 12/2009 Orihara
 7,698,906 B2 4/2010 Jarvis
 D616,080 S 5/2010 Ching
 D621,026 S 8/2010 Peterson et al.
 7,997,565 B1 8/2011 Chan
 D691,250 S 10/2013 Chan
 D731,633 S 6/2015 Farone et al.
 D733,273 S 6/2015 Jeon
 D733,860 S 7/2015 Konno
 D769,431 S 10/2016 Lopez
 D788,279 S * 5/2017 Lee D23/359
 D791,290 S 7/2017 Shapiro
 D804,001 S 11/2017 Cartwright
 10,006,648 B2 6/2018 Vandermeulen et al.
 D827,115 S 8/2018 Petersen
 D841,795 S 2/2019 Chen
 D849,220 S * 5/2019 Fang D23/364
 D852,340 S * 6/2019 Barlettano F24F 1/02
 D23/333
 D875,235 S 2/2020 Coleman et al.
 10,712,029 B1 * 7/2020 Barlettano F24F 8/117
 D896,936 S * 9/2020 Ou D23/333
 2009/0211291 A1 8/2009 Gildersleeve et al.
 2014/0260402 A1 9/2014 Varma
 2015/0247644 A1 9/2015 Stearns
 2017/0138650 A1 5/2017 Eiserer
 2019/0226696 A1 7/2019 Kim et al.
 2020/0326081 A1 10/2020 Barlettano
 2021/0148584 A1 5/2021 Barlettano

FOREIGN PATENT DOCUMENTS

CN 201331225 Y 10/2009
 CN 301559760 S 11/2010
 CN 301635055 S 3/2011
 CN 202032693 U 11/2011
 CN 301743975 S 11/2011
 CN 202470270 U 10/2012
 CN 302405864 S 4/2013
 CN 302782479 S 4/2014
 CN 302809630 S 4/2014
 CN 302809632 S 4/2014
 CN 203848426 U 9/2014
 CN 303013053 S 11/2014
 CN 303321645 S 8/2015

CN 106091220 A 11/2016
 CN 304047506 S 2/2017
 CN 304206641 S 7/2017
 CN 304229250 S 8/2017
 CN 304232931 S 8/2017
 CN 304275843 S 9/2017
 CN 107327992 A 11/2017
 CN 304409176 S 12/2017
 CN 206905164 U 1/2018
 CN 207262610 U 4/2018
 CN 304589588 S 4/2018
 CN 304594138 S 4/2018
 CN 304607851 S 5/2018
 CN 304607887 S 5/2018
 CN 207527751 U 6/2018
 CN 207975768 U 10/2018
 CN 304870145 S 10/2018
 CN 108826551 A 11/2018
 CN 208042402 U 11/2018
 CN 304934939 S 12/2018
 CN 304947235 S 12/2018
 CN 305072142 S 3/2019
 CN 305223717 S 6/2019
 CN 305281766 S 7/2019
 CN 209639184 U 11/2019
 CN 209689113 U 11/2019
 CN 305474029 S 12/2019
 CN 305612741 S 2/2020
 CN 305612750 S 2/2020
 CN 305627369 S 2/2020
 CN 305627370 S 2/2020
 CN 305672142 S 3/2020
 CN 210290192 U 4/2020
 CN 305708993 S 4/2020
 CN 210290192 U 10/2020
 CN 306360588 S 3/2021
 EP 661504 A1 7/1995
 EP 0017127704-0001 6/2010
 GB 2420083 A 5/2006
 JP D1258427 S 12/2005
 JP 1374275 11/2009
 JP 1388881 5/2010
 JP D1671987 S 10/2020
 KR 100543336 B1 12/1899
 KR 30-0309259 10/2002
 KR 30-0309260 10/2002
 KR 100543336 B1 1/2006
 KR 30602966-1 6/2013
 KR 30-0764177 10/2014
 KR 30-0765886 10/2014
 KR 30-0865259 7/2016
 KR 20160083171 A 7/2016
 TW M490518 U 11/2014
 WO 9513506 A1 5/1995
 WO 2005073642 A1 8/2005
 WO 2018058132 A1 3/2018

OTHER PUBLICATIONS

GDSTime EC Cooling Fan, www.amazon.com/dp/B07H8W376G, retrieved Nov. 7, 2018.
 Ontel AA-MC4 Arctic Air Personal Space & Portable Cooler | The Quick & Easy Way to Cool Any Space, As Seen On TV, www.amazon.com/AA-MC4-Arctic-Personal-Portable-Cooler/dp/B0787DD3RX, retrieved Oct. 31, 2018.
 Evapolar Air Cooler evaSMART EV-3000 Opaque White US Plug, www.amazon.com/dp/B075G1HBNW, retrieved Oct. 31, 2018.
 Evapolar EV1000CART Replacement Evaporative Cartridge for EV-1000 evaLIGHT Personal Air Cooler and Humidifier, www.amazon.com/Evapolar-EV1000CART-Replacement-Evaporative-Humidifier/dp/B06XT5B742, retrieved Oct. 31, 2018.
 HoMedics MyChill Personal Space Cooler in Blue, www.amazon.com/HoMedics-MyChill-Personal-Space-Cooler/dp/B075564HQZ, retrieved Oct. 31, 2018.
 Filter for Personal Space Cooler, Arctic Air Cooler Replacement Filter Humidifier, www.amazon.com/dp/B07DGWMSH6/, retrieved Oct. 31, 2018.

(56)

References Cited

OTHER PUBLICATIONS

Ontel Arctic Air Personal Space Cooler Replacement Filter Authentic OEM, www.amazon.com/dp/B07DQ6DXXC/, retrieved Oct. 31, 2018.

World's First Personal Air Cooler (Evapolar), www.youtube.com/watch?v=k4NxBWPTqOA, published Aug. 23, 2016.

Domus, vol. 767, Jan. 31, 1995, p. 108, Design Division of the Japan Patent Office.

Issuance of Notice of Grant for Japanese Design Application No. 2018-013816.

Costway Evaporative Cooler—Oscillating Air Cooler with LED Display—Remote Control—125 Square Foot Cooling, 8-Hour Timing Function, for Home & Office, Cooling & Humidification Function (41-Inch), <https://www.amazon.com/dp/B07XNTDGLD>, accessed May 29, 2020.

GLmblo Baby Stroller Mini Fan, https://www.amazon.com/GLmblo-Stroller-Portable-Cooler-Child/dp/B07V6R2DC8/ef=sr_1_2?keywords=portable+evaporative+cooler+stroller&qid=1578343377&sr=8-2, retrieved Mar. 26, 2020.

European Search Report; Appl. No. 19154738.9, dated Aug. 29, 2019; 4 pages.

Filter for Personal Space Cooler, Arctic Air Cooler Replacement Filler Humidifier, www.amazon.com/dp/B07DGWMSH6/, retrieved Oct. 31, 2018.

NewAir AF-310 Portable Evaporative Air Fan and Humidifier. Personal Indoor Outdoor Swamp Cooler, <https://www.amazon.com/NewAir-Portable-Evaporative-Humidifier-AF-310/dp/B009KGB4FK/>, accessed on May 29, 2020.

Luma Comfort EC45S Tower Evaporative Cooler with 125 Square Foot Cooling, 250 CFM, <https://www.amazon.com/Luma-Comfort-EC45S-Evaporative-Cooling/dp/B007SNQ4FM/>, accessed on May 29, 2020.

Luonita Portable Air Conditioner, <https://www.amazon.com/Luonita-Portable-Conditioner-Humidifier-Evaporative/dp/B07TXZ57XR/>, retrieved Mar. 26, 2020.

* cited by examiner

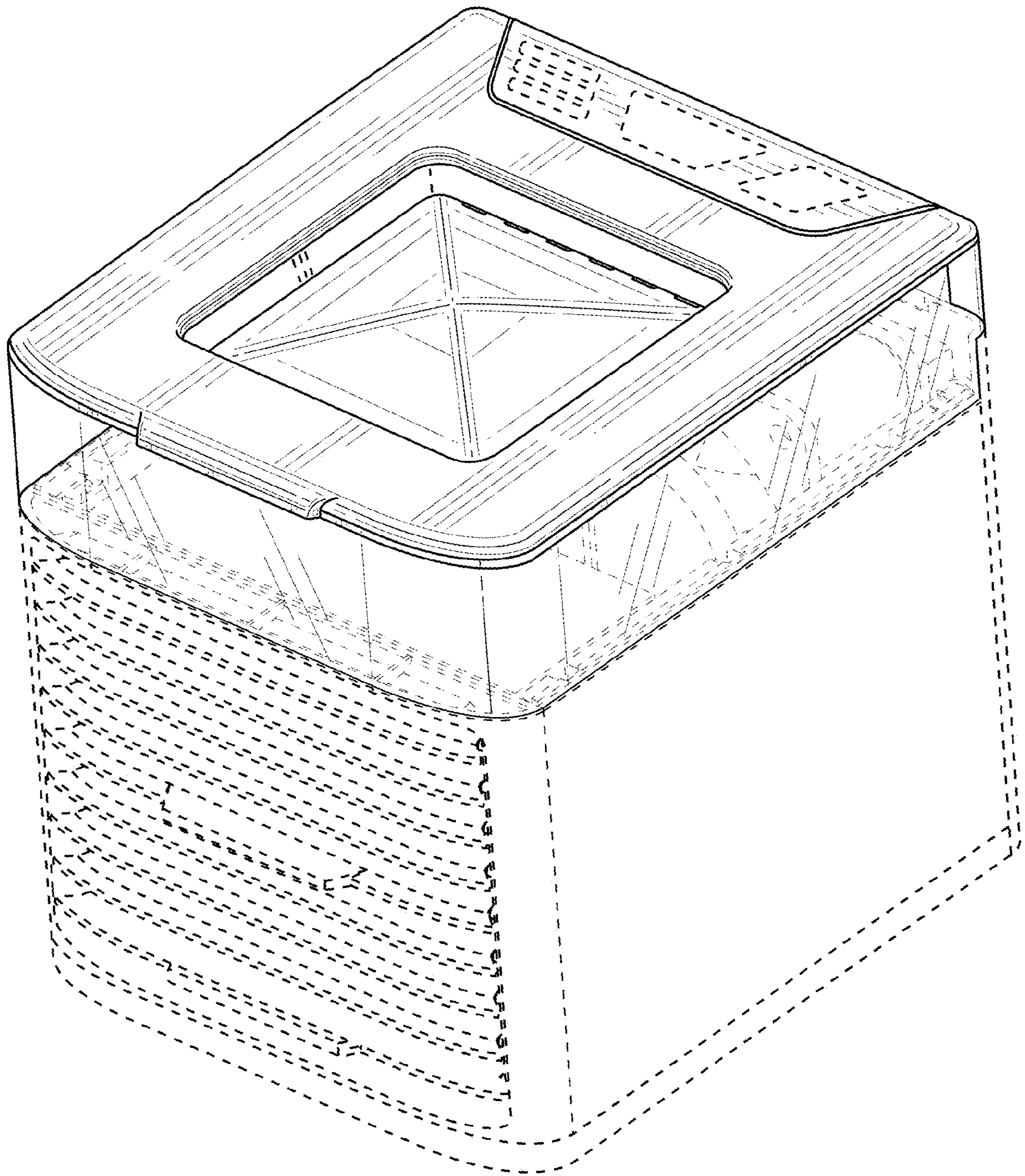


FIG. 1

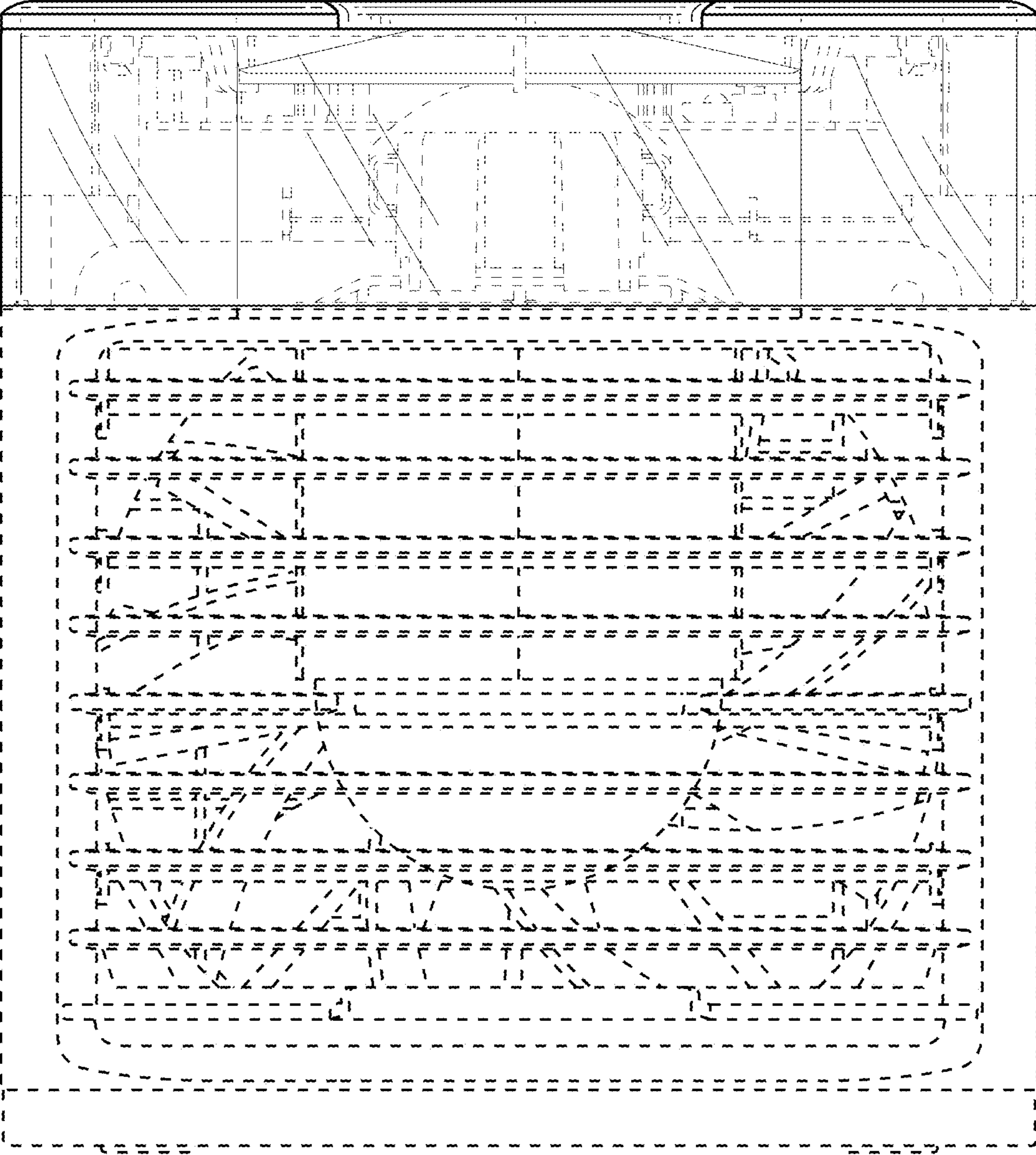


FIG. 2

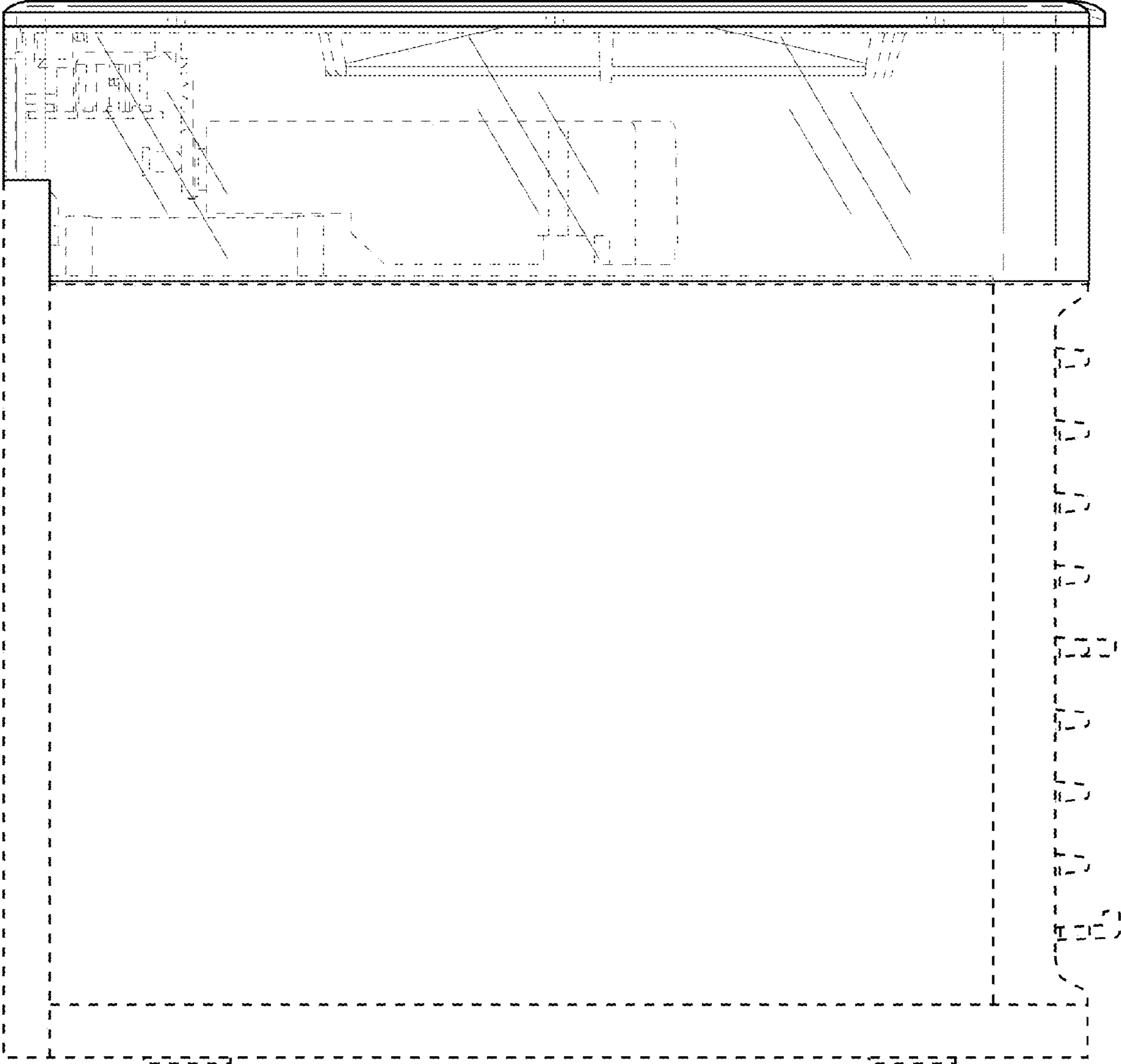


FIG. 3

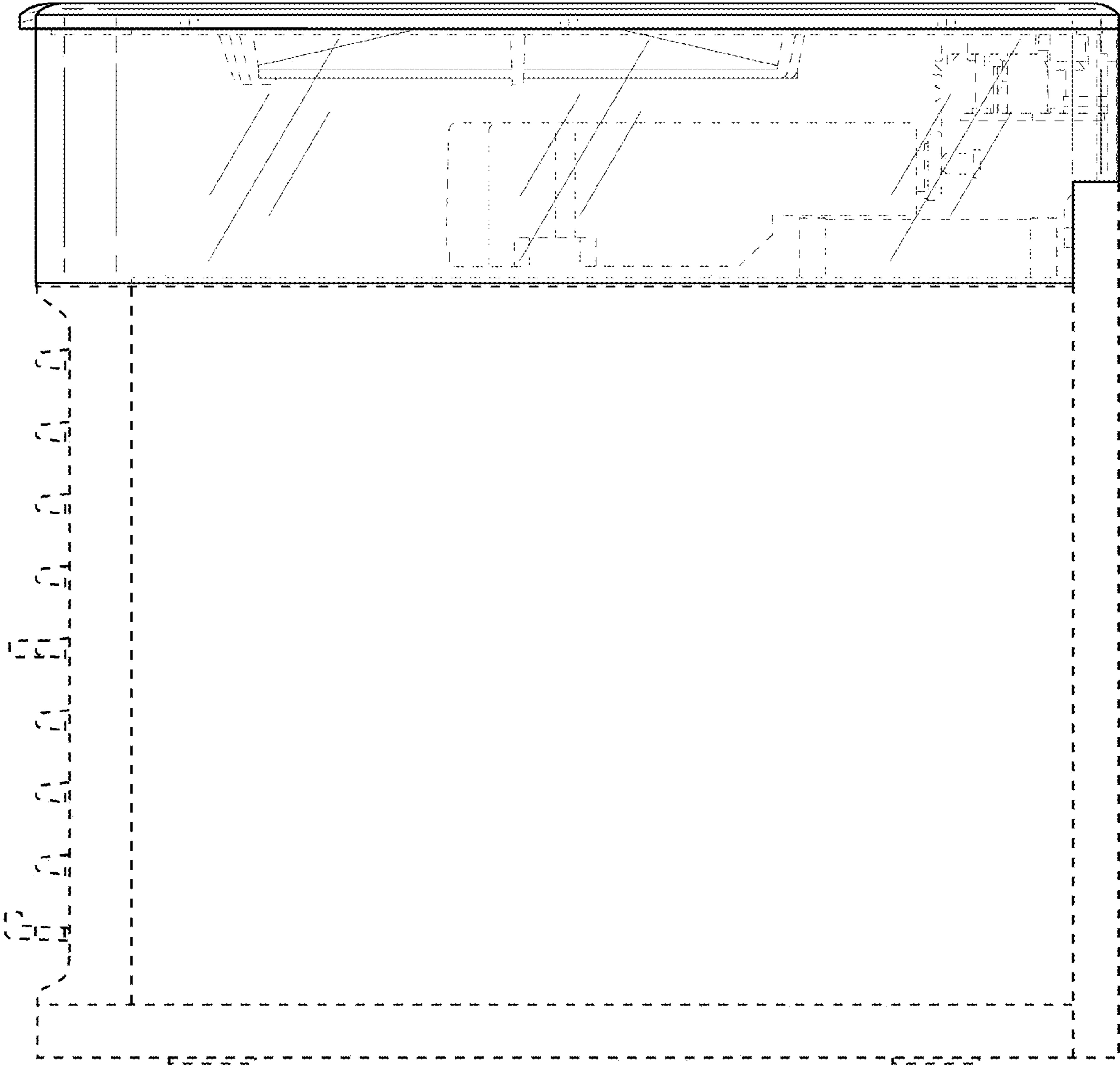


FIG. 4

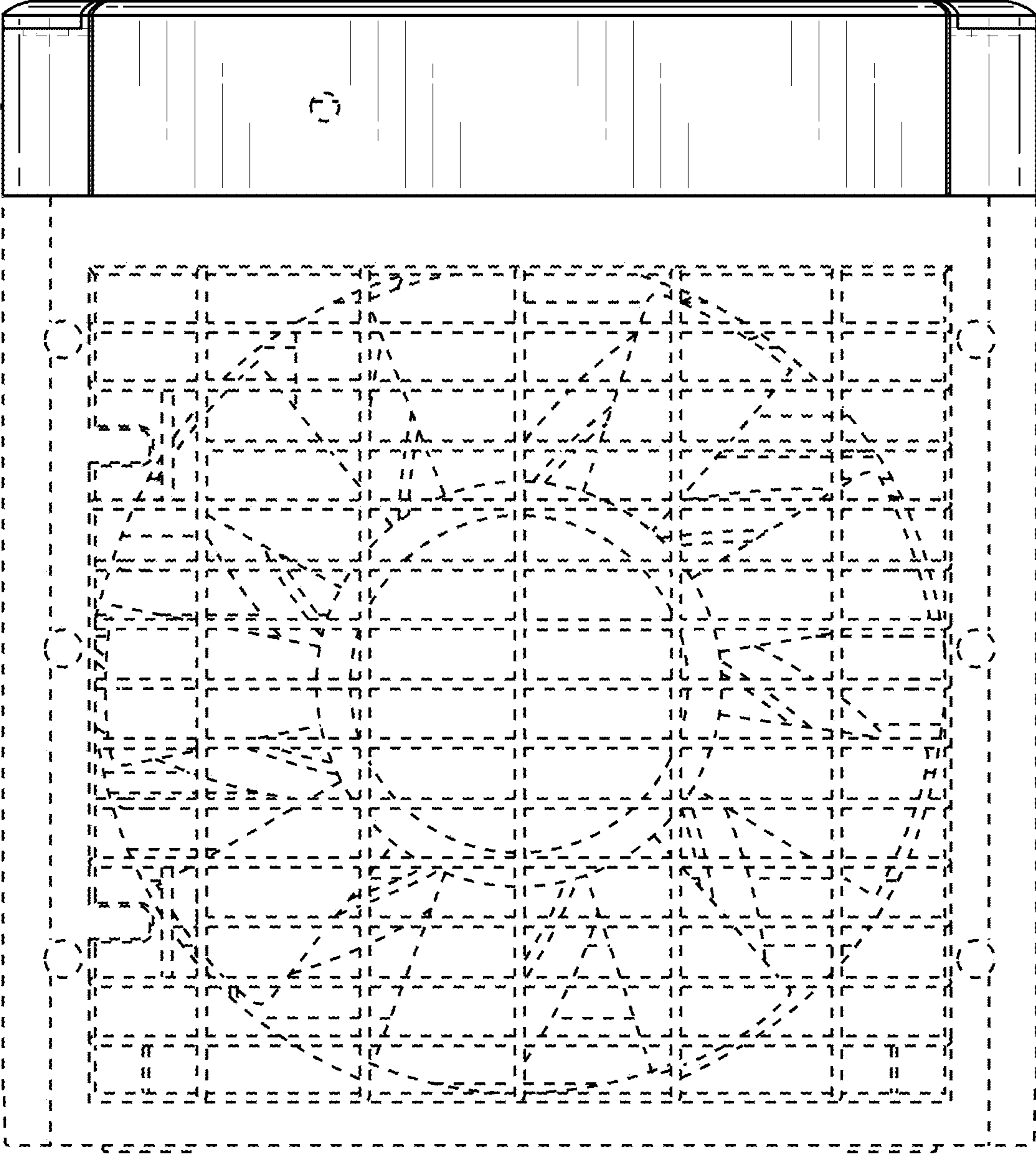


FIG. 5

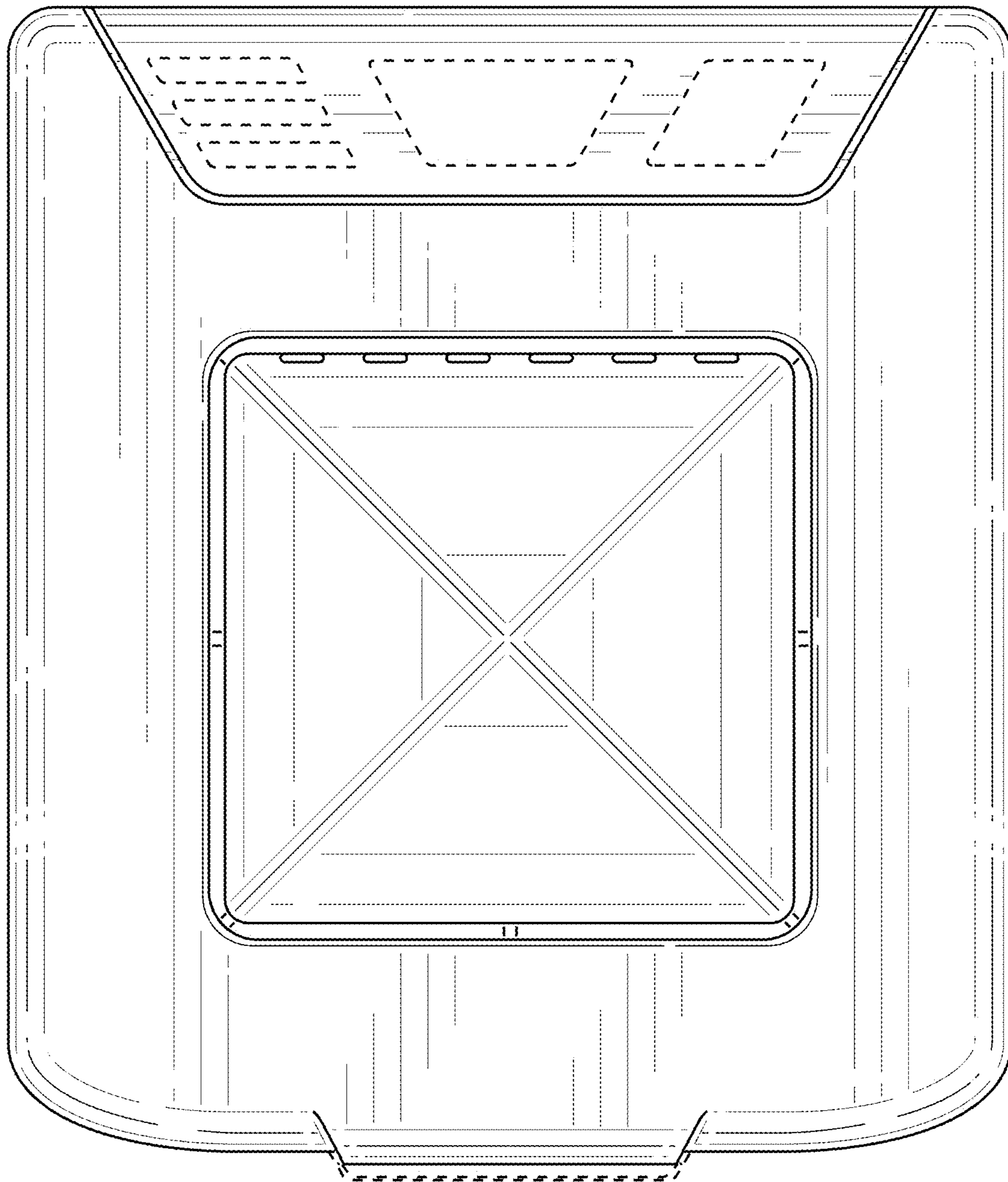


FIG. 6

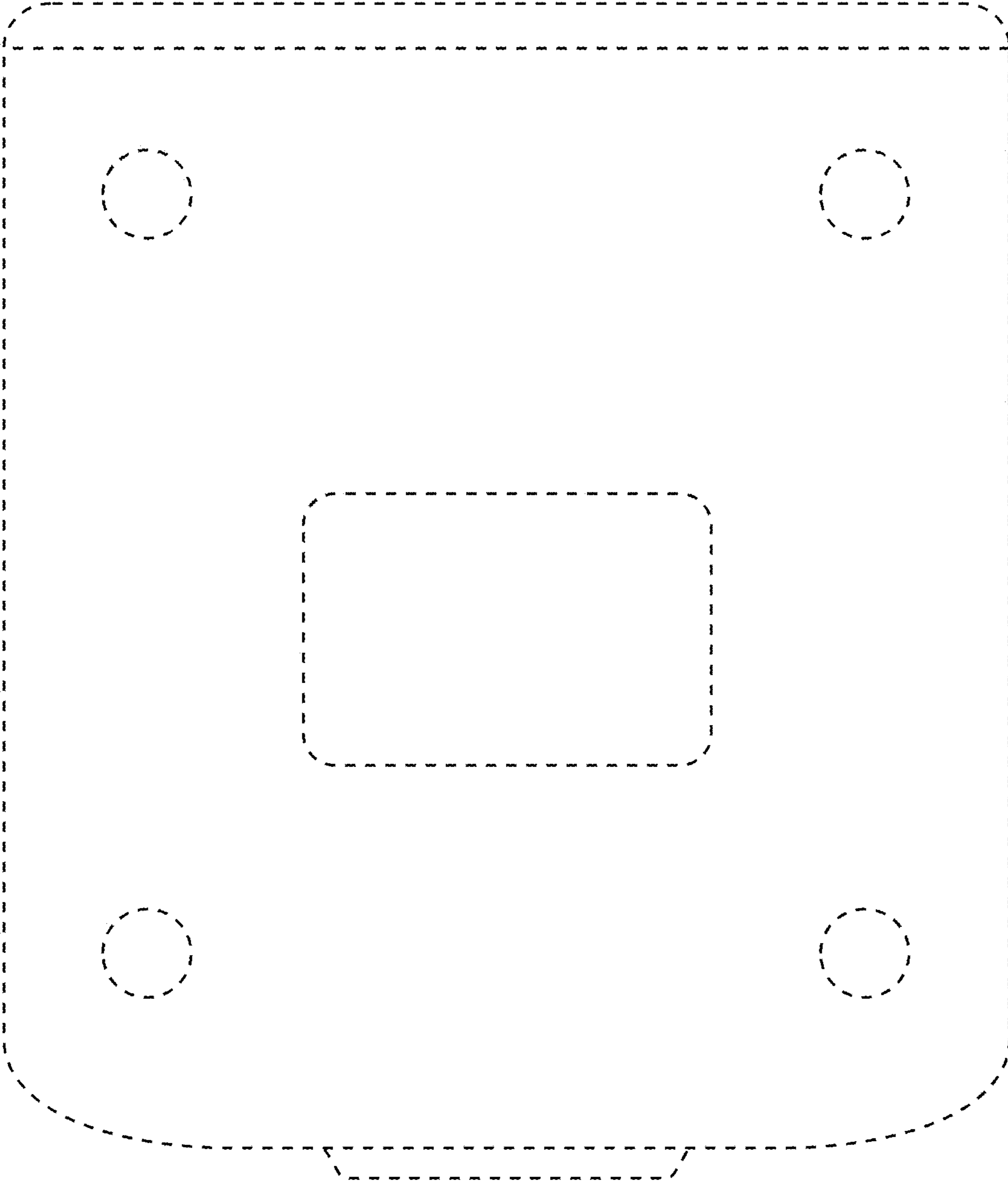


FIG. 7