

US00D967362S

(12) **United States Design Patent**
Bryn-Haugland

(10) **Patent No.:** **US D967,362 S**
(45) **Date of Patent:** **** Oct. 18, 2022**

(54) **HEATER**

(71) Applicant: **Mill International AS**, Østerås (NO)

(72) Inventor: **Philip Bryn-Haugland**, Blommenholm (NO)

(**) Term: **15 Years**

(21) Appl. No.: **35/512,291**

(22) Filed: **Jan. 27, 2021**

(80) **Hague Agreement Data**

Int. Filing Date: **Jan. 27, 2021**

Int. Reg. No.: **DM/212561**

Int. Reg. Date: **Jan. 27, 2021**

Int. Reg. Pub. Date: **Jul. 30, 2021**

(51) **LOC (13) Cl.** **23-03**

(52) **U.S. Cl.**
USPC **D23/332**

(58) **Field of Classification Search**

USPC D23/314, 317, 330, 332-333, 335-351,
D23/354-356, 370, 376, 378, 381, 382

CPC F24D 5/02; F24D 5/12; F24D 19/1009;
F28D 15/0275; F28D 2021/0029

See application file for complete search history.

(56) **References Cited**

U.S. PATENT DOCUMENTS

D344,580 S * 2/1994 Barrault D23/364
D543,266 S * 5/2007 Chen D23/364

D571,445 S * 6/2008 Vandenbelt D23/364
D667,096 S * 9/2012 Choi D23/364
D683,439 S * 5/2013 Choi D23/364
D716,926 S * 11/2014 Lewis D23/332
D722,375 S * 2/2015 Shapiro D23/332
D791,292 S * 7/2017 Kim D23/333
D825,726 S * 8/2018 Lewis D23/332
D870,869 S * 12/2019 Bryn-Haugland F24C 7/065
D23/335
D886,258 S * 6/2020 Sakamoto D23/332
D896,935 S * 9/2020 Bryn-Haugland D23/332
D951,414 S * 5/2022 Yoo D23/364
D954,238 S * 6/2022 Lei D23/335

* cited by examiner

Primary Examiner — Keli L Hill

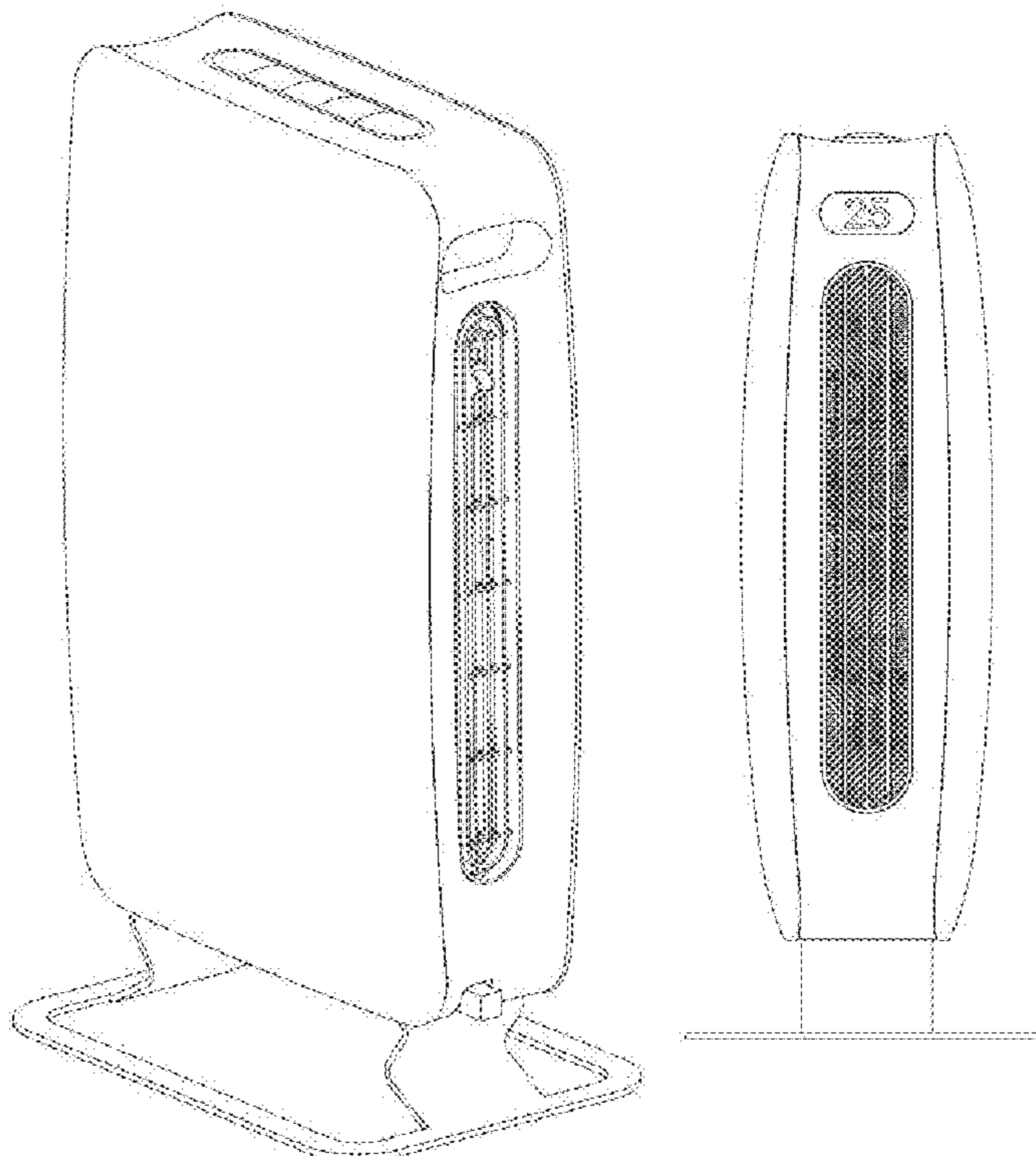
(57) **CLAIM**

The ornamental design for a heater, as shown and described.

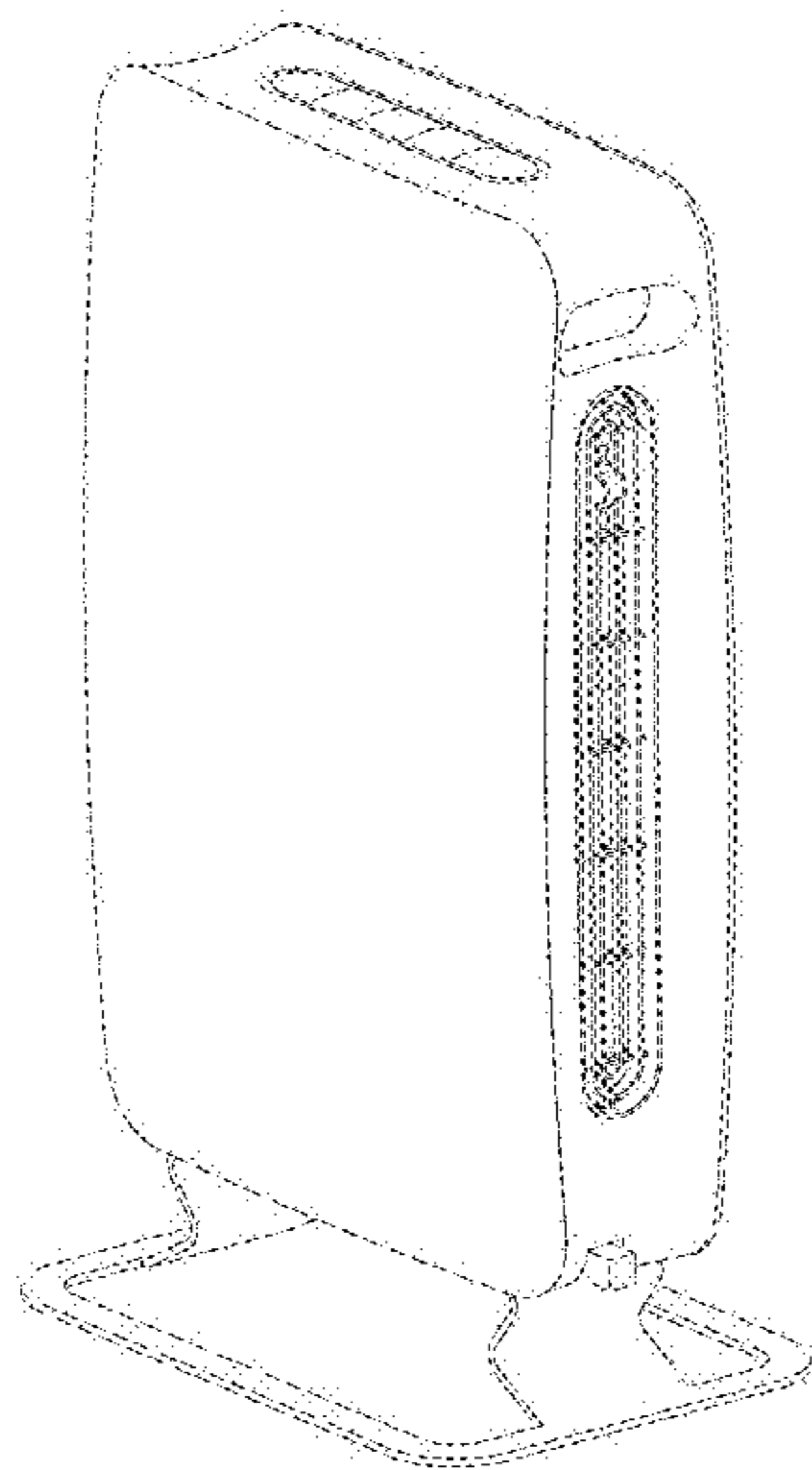
DESCRIPTION

- 1. Heater
- 1.1 : Perspective
- 1.2 : Right
- 1.3 : Top
- 1.4 : Bottom
- 1.5 : Front
- 1.6 : Back
- 1.7 : Left

1 Claim, 7 Drawing Sheets



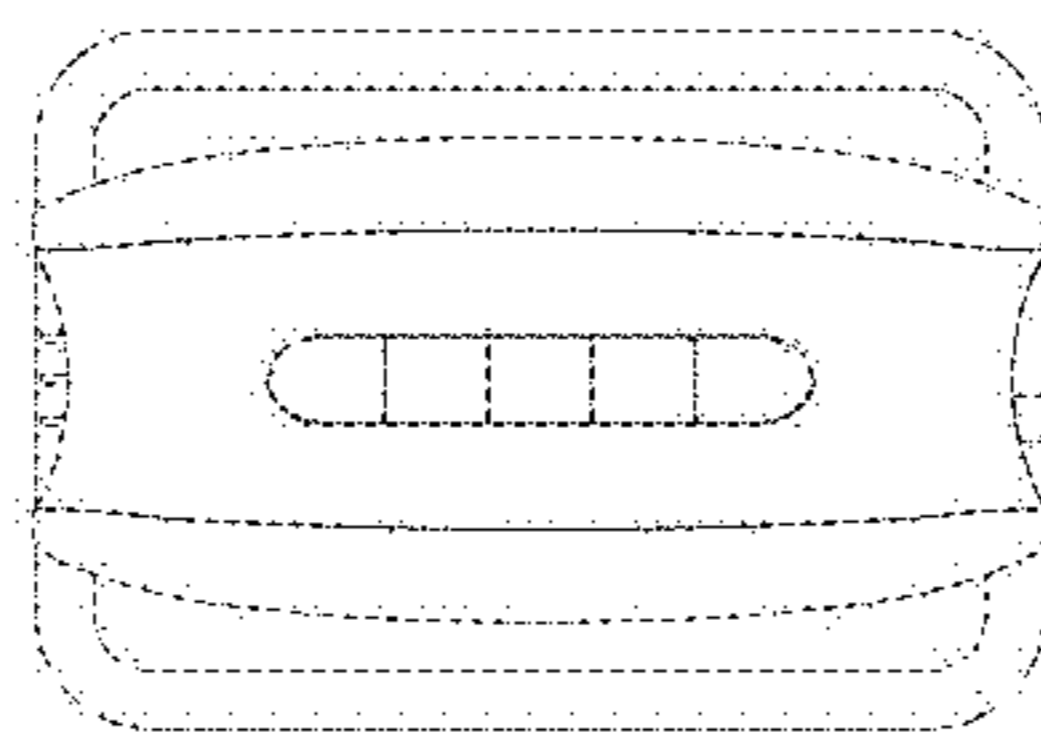
1.1



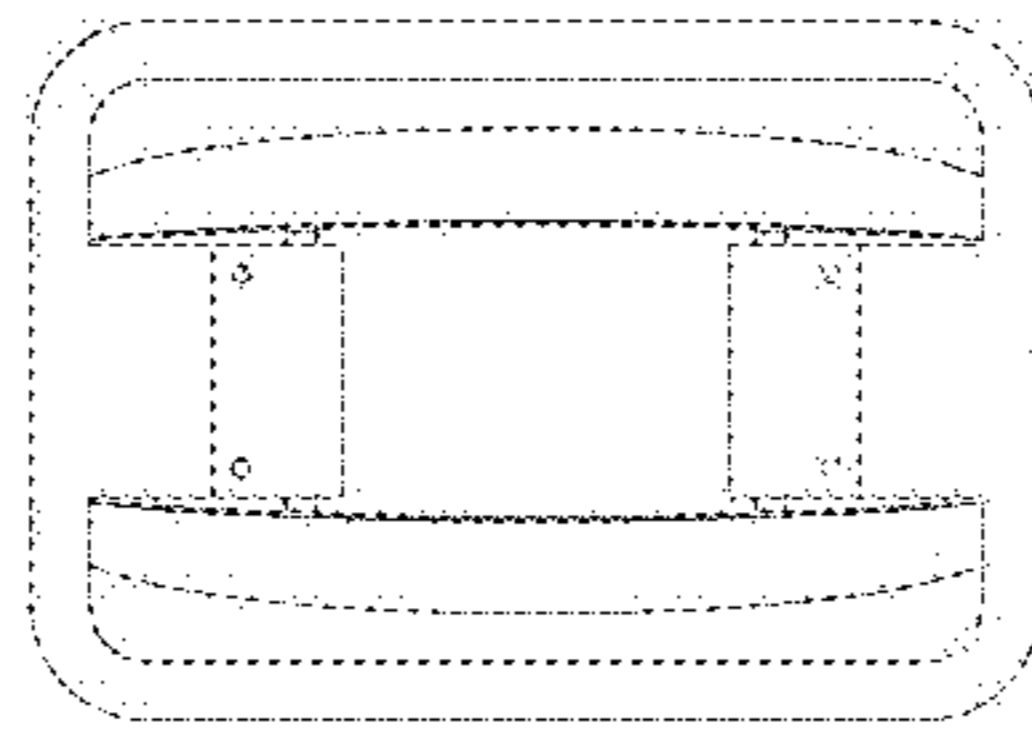
1.2



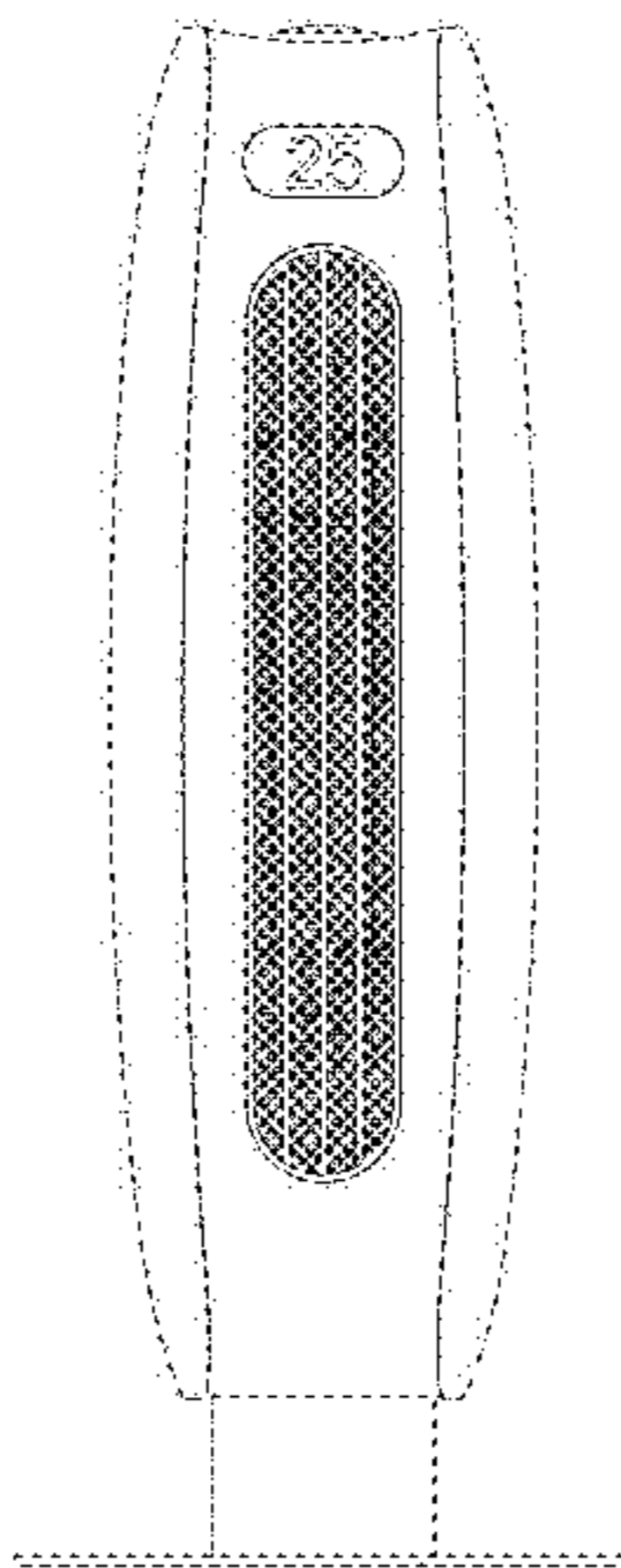
1.3



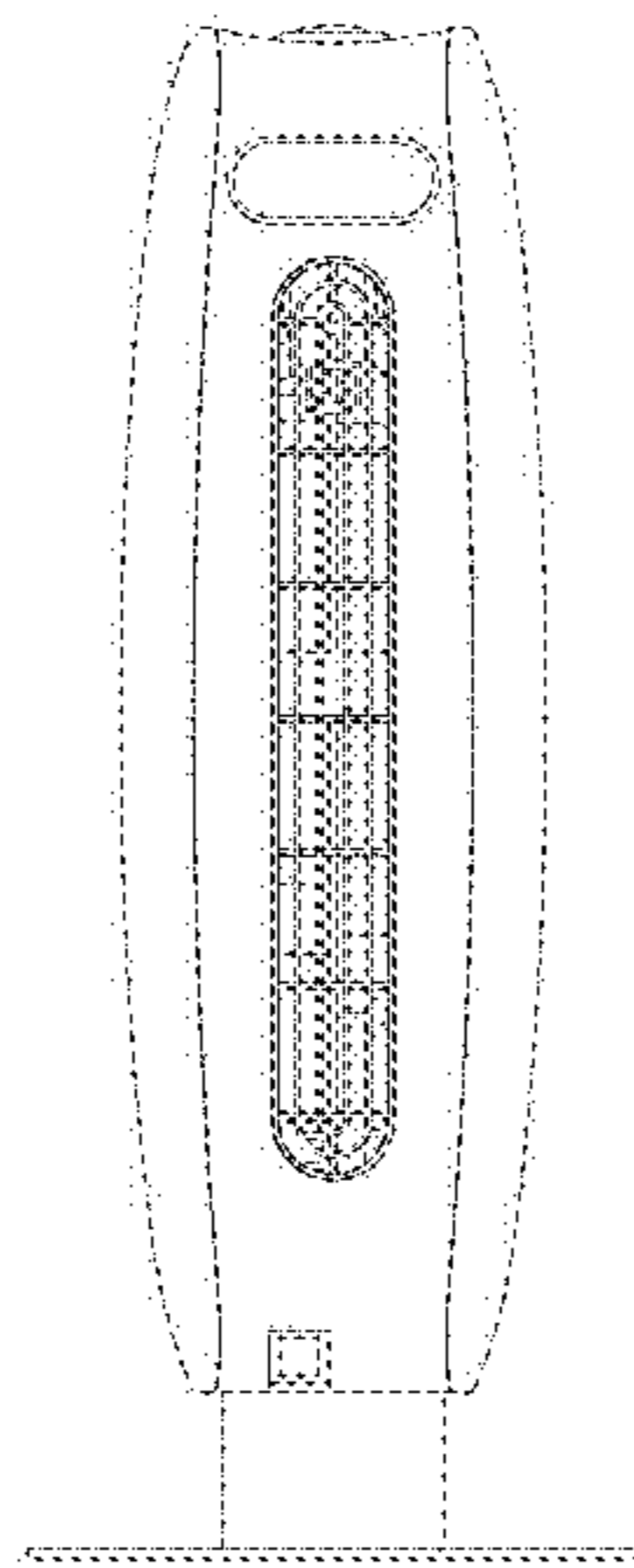
1.4



1.5



1.6



1.7

